

Service Guide

N5241A

(10 MHz–13.5 GHz)

and

N5242A

(10 MHz–26.5 GHz)

**Agilent Technologies
2-Port and 4-Port PNA-X
Microwave Network Analyzers**



Agilent Technologies

Part Number N5242-90001

Printed in USA

March 1, 2012

Supersedes Print Date: February 15, 2012

© Agilent Technologies, Inc. 2007-2012

Warranty Statement

THE MATERIAL CONTAINED IN THIS DOCUMENT IS PROVIDED "AS IS," AND IS SUBJECT TO BEING CHANGED, WITHOUT NOTICE, IN FUTURE EDITIONS. FURTHER, TO THE MAXIMUM EXTENT PERMITTED BY APPLICABLE LAW, AGILENT DISCLAIMS ALL WARRANTIES, EITHER EXPRESS OR IMPLIED WITH REGARD TO THIS MANUAL AND ANY INFORMATION CONTAINED HEREIN, INCLUDING BUT NOT LIMITED TO THE IMPLIED WARRANTIES OF MERCHANTABILITY AND FITNESS FOR A PARTICULAR PURPOSE. AGILENT SHALL NOT BE LIABLE FOR ERRORS OR FOR INCIDENTAL OR CONSEQUENTIAL DAMAGES IN CONNECTION WITH THE FURNISHING, USE, OR PERFORMANCE OF THIS DOCUMENT OR ANY INFORMATION CONTAINED HEREIN. SHOULD AGILENT AND THE USER HAVE A SEPARATE WRITTEN AGREEMENT WITH WARRANTY TERMS COVERING THE MATERIAL IN THIS DOCUMENT THAT CONFLICT WITH THESE TERMS, THE WARRANTY TERMS IN THE SEPARATE AGREEMENT WILL CONTROL.

DFARS/Restricted Rights Notice

If software is for use in the performance of a U.S. Government prime contract or subcontract, Software is delivered and licensed as "Commercial computer software" as defined in DFAR 252.227-7014 (June 1995), or as a "commercial item" as defined in FAR 2.101(a) or as "Restricted computer software" as defined in FAR 52.227-19 (June 1987) or any equivalent agency regulation or contract clause. Use, duplication or disclosure of Software is subject to Agilent Technologies' standard commercial license terms, and non-DOD Departments and Agencies of the U.S. Government will receive no greater than Restricted Rights as defined in FAR 52.227-19(c)(1-2) (June 1987). U.S. Government users will receive no greater than Limited Rights as defined in FAR 52.227-14 (June 1987) or DFAR 252.227-7015 (b)(2) (November 1995), as applicable in any technical data.

Certification

Agilent Technologies, Inc. certifies that this product met its published specifications at the time of shipment from the factory. Agilent Technologies, Inc. further certifies that its calibration measurements are traceable to the United States National Institute of Standards and Technology, to the extent allowed by the Institute's calibration facility, and to the calibration facilities of other International Standards Organization members.

Assistance

Product maintenance agreements and other customer assistance agreements are available for Agilent Technologies, Inc. products. For information about these agreements and for other assistance, contact Agilent. Refer to [“Contacting Agilent” on page 2-14.](#)

Safety and Regulatory Information

The safety and regulatory information pertaining to this product is located in [Chapter 1, “Safety and Regulatory Information.”](#)

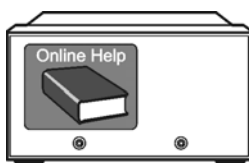
Safety Notes

The following safety notes are used throughout this manual. Familiarize yourself with each of the notes and its meaning before operating this instrument. All pertinent safety notes for using this product are located in [Chapter 1, “Safety and Regulatory Information.”](#)

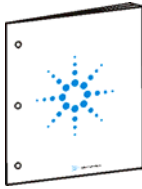
WARNING Warning denotes a hazard. It calls attention to a procedure which, if not correctly performed or adhered to, could result in injury or loss of life. Do not proceed beyond a warning note until the indicated conditions are fully understood and met.

CAUTION Caution denotes a hazard. It calls attention to a procedure that, if not correctly performed or adhered to, could result in damage to or destruction of the instrument. Do not proceed beyond a caution sign until the indicated conditions are fully understood and met.

Documentation Map



The online Help files are embedded in the analyzer, offering quick reference to programming and user documentation. From the Help drop-down menu, you can access the Help system in five different languages. Also, you can view the Analyzer Product Overview multimedia presentation and access the analyzer's Web page.



The *Installation and Quick Start Guide* helps you to quickly familiarize yourself with the analyzer. Procedures are provided for installing, configuring, and verifying the operation of the analyzer.

Printing Copies of Documentation from the Web

To print copies of documentation from the Web, download the PDF file from the Agilent web site:

- Go to <http://www.agilent.com>.
- Enter the document's part number (located on the title page) in the **Quick Search** box.
- Click **GO**.

1 Safety and Regulatory Information

Information in This Chapter	1-2
Chapter One at-a-Glance	1-2
Safety Symbols	1-3
General Safety Considerations	1-3
Safety Earth Ground	1-3
Before Applying Power	1-3
Servicing	1-4
Electrostatic Discharge Protection	1-6
Regulatory Information	1-7
Instrument Markings	1-7
Lithium Battery Disposal	1-8

2 General Product Information

Information in This Chapter	2-2
Chapter Two at-a-Glance	2-2
Maintenance	2-3
Physical Maintenance	2-3
Electrical Maintenance	2-3
Analyzer Options Available	2-3
Options as Upgrades	2-3
Option H85, High Power Configuration Capability	2-3
Option 008, Pulsed-RF Measurements	2-3
Option 010, Time Domain Operation	2-4
Option 020, Add IF Inputs for Antenna and Millimeter-Wave	2-4
Option 021, Add Pulse Modulator to 1st Internal Source	2-4
Option 022, Add Pulse Modulator to 2nd Internal Source	2-4
Option 025, Add Four Internal Pulse Generators	2-4
Option 028, Noise Figure Measurements Using Standard Receivers Capability	2-4
Option 029, Noise Figure Measurement Capability	2-5
Option 080, Frequency Offset Measurements	2-5
Option 082, Scalar Calibrated Converter Measurements	2-5
Option 083, Vector and Scalar Calibrated Frequency Converter Measurements	2-5
Option 1CM, Rack Mount Kit for Instruments without Handles	2-5
Option 1CP, Rack Mount Flange Kit for Instruments with Handles	2-5
Option 200, Standard 2-Port Configuration	2-6
Option 219, 2-Port with Extended Power Range and Bias Tees	2-6
Option 224, 2-Port with 2nd Source, Combiner, and Mechanical Switches	2-6
Option 400, Standard 4-Port Configuration	2-6
Option 419, 4-Port with Extended Power Range and Bias Tees	2-6
Option 423, 4-Port with Combiner, and Mechanical Switches	2-6
Option 460, Integrated True-Mode Stimulus Application (iTMSA)	2-6
Option 551, N-Port Calibrated Measurements	2-7
Option 897, Built-In Tests for Commercial Calibration	2-7
Option 898 Built-In Tests for Standards Compliant Calibration	2-7
Analyzer Upgrades Available	2-8
Analyzer Accessories Available	2-9
CD-RW Drive—N4688A	2-9
USB Hub—N4689A	2-9

Pulse I/O Adapter–N1966A	2-9
Required Service Test Equipment	2-11
Agilent Support, Services, and Assistance	2-14
Service and Support Options	2-14
Contacting Agilent	2-14
Shipping Your Analyzer to Agilent for Service or Repair	2-15

3 Tests and Adjustments

Information in This Chapter	3-2
Conventions Used for Hardkeys, Softkeys, and Menu Items	3-2
Chapter Three at-a-Glance	3-2
Before You Begin	3-4
Verify the Operating Environment	3-4
Protect Against Electrostatic Discharge (ESD)	3-4
Allow the Analyzer to Warm Up	3-4
Review the Principles of Connector Care	3-5
About System Verification and Performance Tests	3-6
System Specifications	3-6
Instrument Specifications	3-6
System Verification Procedure	3-6
Performance Tests	3-7
Certificate of Calibration	3-8
ANSI/NCSL Z540–1–1994 Verification	3-9
Non-ANSI/NCSL Z540–1–1994 Verification	3-10
Preliminary Checks	3-11
The Operator’s Check	3-11
The Test Port Cable Checks	3-13
System Verification	3-20
What the System Verification Verifies	3-20
Measurement Uncertainty	3-21
Measurement Traceability	3-22
Performing System Verification	3-23
Performance Tests	3-29
Source Power Accuracy Test	3-29
Source Maximum Power Output Test	3-30
Source Power Linearity Test	3-30
Frequency Accuracy Test	3-31
Trace Noise Test	3-31
Receiver Compression Test	3-32
Noise Floor Test	3-33
Calibration Coefficients Test	3-34
Dynamic Accuracy Test	3-35
Adjustments	3-36
10 MHz Frequency Reference Adjustment	3-37
IF Gain Adjustment	3-38
Synthesizer Bandwidth Adjustment	3-38
Source Adjustment	3-39
Receiver Adjustment	3-40
Receiver Characterization	3-43

EE Default Adjustment	3-43
Noise Figure Adjustment (Available Only with Option 029 Installed)	3-44
4 Troubleshooting	
Information in This Chapter	4-2
Chapter Four at-a-Glance	4-2
Conventions Used for Hardkeys, Softkeys, and Menu Items	4-3
Operating the Analyzer With Covers Removed	4-3
Protect Against Electrostatic Discharge (ESD)	4-3
Assembly Replacement Sequence	4-3
Getting Started with Troubleshooting	4-4
Check the Basics	4-4
Troubleshooting Organization	4-5
Power Up Troubleshooting	4-6
Power Supply Check	4-7
Troubleshooting LCD Display Problems	4-12
Front Panel Troubleshooting	4-13
Front Panel Keypad and RPG Test	4-13
A3 Display Test	4-15
Checking the A2 USB Board	4-16
A1 Front Panel Interface Board	4-16
Rear Panel Troubleshooting	4-17
Checking the USB Ports	4-17
Checking the CONTROLLER Port	4-17
LAN Troubleshooting	4-18
Measurement System Troubleshooting	4-23
Before you begin—consider: Where do you see a problem?	4-23
Verifying the A, B, C, D, and R Traces (Standard S-Parameter Mode)	4-26
Where to Begin Troubleshooting	4-28
Checking the Source Group	4-30
Checking the Signal Separation Group	4-34
Checking the Receiver Group	4-38
Instrument Block Diagrams Sheet 1	4-42
Microwave PNA, N5241A/42A	4-42
Instrument Block Diagrams Sheet 2	4-44
Microwave PNA, N5241A/42A	4-44
5 Theory of Operation	
Information in This Chapter	5-2
Chapter Five at-a-Glance	5-2
Network Analyzer System Operation	5-3
Functional Groups of the Network Analyzer	5-4
Synthesized Source Group Operation	5-7
Basic Operation	5-7
A4, A13, and A11 13.5 GHz Synthesizer Boards	5-10
A5 and A8 26.5 GHz Source Boards	5-10
A21 Multiplier/Amplifier 26.5 Board (HMA26.5)	5-11
A10 Frequency Reference Board	5-11

Contents

A19 Test Set Motherboard	5-12
Signal Separation Group Operation	5-16
Configurable Test Set	5-16
A25–A28 Bridges	5-17
A29–A32 Test Port Couplers	5-17
A34–A37 65-dB Source Step Attenuators and A38–A41 Bias Tees (Optional)	5-20
A46–A49 Mechanical Switches and A50 Combiner (Optional)	5-20
Receiver Group Operation	5-21
A42–A45 35-dB Receiver Step Attenuators (Optional)	5-21
A33 Reference Mixer Switch	5-21
A23 and A24 Mixer Bricks	5-21
A20 IF Multiplexer Board	5-22
A12 SPAM Board (Analog Description)	5-24
Noise Measurement Group Operation (Option 029)	5-27
A52 Test Port 1 Option 029 Switch	5-27
A53 Test Port 2 Option 029 Switch	5-27
A54 Test Port 2 Option 029 Bridge	5-27
A55 Noise Downconverter	5-27
A7 Noise Receiver Board	5-28
Digital Processing and Digital Control Group Operation	5-30
Front Panel Subgroup	5-32
Data Acquisition and Processing Subgroup	5-32
Power Supply Group Operation	5-35
6 Replaceable Parts	
Information in This Chapter	6-3
Chapter Six at-a-Glance	6-3
Ordering Information	6-4
Assembly Replacement Sequence	6-4
Rebuilt-Exchange Assemblies	6-5
Replaceable Parts Listings	6-6
Front Panel Assembly, Front Side, All Options	6-10
Front Panel Assembly, Back Side, All Options	6-12
Top Assemblies and Cables, All Options	6-14
2-Port Configuration, Option 200	6-19
2-Port Configuration, Options 200/219	6-25
2-Port Configuration, Options 200/219/029	6-31
2-Port Configuration, Options 200/219/H85	6-37
2-Port Configuration, Options 200/219/029/H85	6-43
2-Port Configuration, Options 200/219/224	6-49
2-Port Configuration, Options 200/219/224/029	6-55
2-Port Configuration, Options 200/219/224/H85	6-61
2-Port Configuration, Options 200/219/224/029/H85	6-67
4-Port Configuration, Option 400	6-73
4-Port Configuration, Options 400/419	6-79
4-Port Configuration, Options 400/419/029	6-87
4-Port Configuration, Options 400/419/H85	6-95
4-Port Configuration, Options 400/419/029/H85	6-103
4-Port Configuration, Options 400/419/423	6-111

4-Port Configuration, Options 400/419/423/029	6-119
4-Port Configuration, Options 400/419/423/H85	6-127
4-Port Configuration, Options 400/419/423/029/H85	6-135
Rear Panel Assembly, All Options	6-143
Top Hardware and Miscellaneous Parts, All Options	6-145
Bottom Hardware and Miscellaneous Parts	6-147
Internal Hardware and Miscellaneous Parts, All Options	6-151
External Hardware and Miscellaneous Parts, All Options	6-153
Miscellaneous Part Numbers	6-155
7 Repair and Replacement Procedures	
Information in This Chapter	7-2
Chapter Seven at-a-Glance	7-2
Personal Safety Warnings	7-3
Electrostatic Discharge (ESD) Protection	7-3
Removal and Replacement Procedures	7-4
Removing the Covers	7-6
Removing and Replacing the Front Panel Assembly	7-8
Removing and Replacing the A1–A3 and Other Front Panel Subassemblies	7-10
Removing and Replacing the A4–A13 Boards (For analyzers with serial numbers prefixed MY/SG/US5150 and below.)	7-14
Removing and Replacing the A4–A13 Boards (For analyzers with serial numbers prefixed MY/SG/US5201 and above.)	7-17
Removing and Replacing the A14 System Motherboard	7-20
Removing and Replacing the A15 Midplane Board	7-22
Removing and Replacing the A16 Power Supply Assembly	7-24
Removing and Replacing the A17 CPU Board Assembly	7-26
Removing and Replacing the A18 GPIB Board	7-28
Removing and Replacing the A19 Test Set Motherboard	7-30
Removing and Replacing the A20 IF Multiplexer Board	7-32
Removing and Replacing the A21 HMA26.5	7-34
Removing and Replacing the A22 Splitter	7-36
Removing and Replacing the A23 and A24 Mixer Bricks	7-38
Removing and Replacing the A25–A28 Bridges and Bridge Mounting Brackets	7-40
Removing and Replacing the A29–A32 Test Port Couplers	7-42
Removing and Replacing the A33 Reference Mixer Switch	7-44
Removing and Replacing the A34–A37 Source Attenuators, the A38–A41 Bias Tees, and the A42–A45 Receiver Attenuators	7-46
Removing and Replacing the A38–A41 Bias Tees	7-48
Removing and Replacing the A46–A49 Bypass Switches and the A50 Combiner	7-50
Removing and Replacing the A51 Hard Disk Drive (HDDA)	7-52
Removing and Replacing the A52 and A53 Option 029 Test Port Switches	7-58
Removing and Replacing the A54 Option 029 Test Port 2 Bridge and the A55 Option 029 Noise Downconverter	7-60
Removing and Replacing the Rear Panel	7-62
Removing and Replacing the Front Panel LED Boards	7-64
Removing and Replacing the Fans	7-66
Removing and Replacing the Lithium Battery	7-68
Post-Repair Procedures	7-72

8 General Purpose Maintenance Procedures

Information in This Chapter	8-2
Chapter Eight at-a-Glance	8-2
Conventions Used for Hardkeys, Softkeys, and Menu Items	8-2
Error Terms	8-3
Using Error Terms as a Diagnostic Tool	8-3
Performing Measurement Calibration	8-3
Using Flowgraphs to Identify Error Terms	8-4
Accessing Error Terms	8-8
Error Term Data	8-10
Option Enable Utility	8-13
Accessing the Option Enable Utility	8-13
Option Entitlement Certificate	8-13
Enabling or Removing Options	8-14
Repairing and Recovering Option Data	8-15
Installing or Changing a Serial Number	8-16
Firmware Upgrades	8-17
How to Check the Current Firmware Version	8-17
Downloading from the Internet	8-17
Operating System Recovery	8-18
Recovering from Hard Disk Drive Problems	8-18
Correction Constants	8-19
Storing Correction Constants	8-19

1 Safety and Regulatory Information

Information in This Chapter

This chapter provides safety information that will help protect you and your network analyzer. It also contains information that is required by various government regulatory agencies.

Chapter One at-a-Glance

Section Title	Summary of Content	Start Page
Safety Symbols	Descriptions of CAUTION and WARNING symbols used throughout this manual.	Page 1-3
General Safety Considerations	A list of safety points to consider when servicing your network analyzer.	Page 1-3
Electrostatic Discharge Protection	A discussion of electrostatic discharge (ESD) and related recommendations and requirements for ESD protection.	Page 1-6
Regulatory Information	Definitions of instrument markings. Instructions for disposing of the analyzer's lithium battery.	Page 1-7

Safety Symbols

The following safety symbols are used throughout this manual. Familiarize yourself with each of the symbols and its meaning before operating this instrument.

CAUTION Caution denotes a hazard. It calls attention to a procedure that, if not correctly performed or adhered to, could result in damage to or destruction of the instrument. Do not proceed beyond a caution note until the indicated conditions are fully understood and met.

WARNING Warning denotes a hazard. It calls attention to a procedure which, if not correctly performed or adhered to, could result in injury or loss of life. Do not proceed beyond a warning note until the indicated conditions are fully understood and met.

General Safety Considerations

Safety Earth Ground

WARNING This is a Safety Class I product (provided with a protective earthing ground incorporated in the power cord). The mains plug shall only be inserted in a socket outlet provided with a protective earth contact. Any interruption of the protective conductor, inside or outside of the instrument, will make the instrument dangerous. Intentional interruption is prohibited.

CAUTION Always use the three-prong AC power cord supplied with this product. Failure to ensure adequate grounding by not using this cord may cause product damage.

Before Applying Power

WARNING If this product is not used as specified, the protection provided by the equipment could be impaired. This product must be used in a normal condition (in which all means for protection are intact) only.

WARNING If an instrument handle is damaged, you should replace it immediately. Damaged handles can break while you are moving or lifting the instrument and cause personal injury or damage to the instrument.

CAUTION This instrument has autoranging line voltage input. Be sure the supply voltage is within the specified range.

WARNING Supply voltages which oscillate between the two normal input ranges of the autoranging line voltage input will damage the power supply. In rare cases, this damage has become a user safety concern. If unstable power levels are expected, the analyzer input power must be buffered by a line conditioner.

CAUTION This product is designed for use in Installation Category II and Pollution Degree 2 per IEC 61010-1:2001 and 664 respectively.

CAUTION Do not operate the analyzer with the outer cover removed for more than 30 minutes, as this could cause the analyzer to overheat which could result in costly damage.

CAUTION **Ventilation Requirements:** When installing the product in a cabinet, the convection into and out of the product must not be restricted. The ambient temperature (outside the cabinet) must be less than the maximum operating temperature of the instrument by 4 °C for every 100 watts dissipated in the cabinet. If the total power dissipated in the cabinet is greater than 800 watts, then forced convection must be used.

CAUTION The measuring terminals on this instrument are designed to be used with external signals described in Measurement Category I, but NOT with external signals described in Categories II, III, and IV. The input of this instrument cannot be connected to the mains.

Servicing

WARNING These servicing instructions are for use by qualified personnel only. To avoid electrical shock, do not perform any servicing unless you are qualified to do so.

WARNING Danger of explosion if battery is incorrectly replaced. Replace only with the same or equivalent type recommended. Discard used batteries according to local ordinances and/or manufacturer's instructions.

WARNING Procedures described in this document may be performed with power supplied to the product while protective covers are removed. Energy available at many points may, if contacted, result in personal injury.

CAUTION Do not operate the analyzer with the outer cover removed for more than 30 minutes, as this could cause the analyzer to overheat which could result in costly damage.

WARNING No operator serviceable parts inside. Refer servicing to qualified personnel. To prevent electrical shock, do not remove covers.

WARNING The opening of covers or removal of parts may expose dangerous voltages. Disconnect the instrument from all voltage sources while it is being opened.

WARNING The detachable power cord is the instrument disconnecting device. It disconnects the mains circuits from the mains supply before other parts of the instrument. The front panel switch is only a standby switch and is not a LINE switch (disconnecting device).

NOTE There are no replaceable fuses in the mains input or within the power supply assembly.

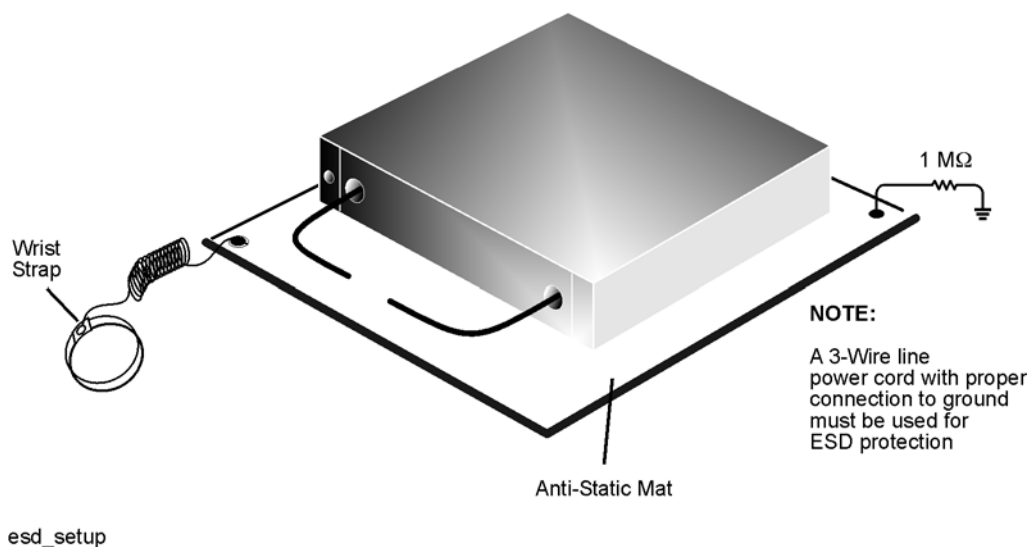
Electrostatic Discharge Protection

Protection against electrostatic discharge (ESD) is essential while removing assemblies from or connecting cables to the network analyzer. Static electricity can build up on your body and can easily damage sensitive internal circuit elements when discharged. Static discharges too small to be felt can cause permanent damage. To prevent damage to the instrument:

- *always* have a grounded, conductive table mat in front of your test equipment.
- *always* wear a grounded wrist strap, connected to a grounded conductive table mat, having a 1 M Ω resistor in series with it, when handling components and assemblies or when making connections.
- *always* wear a heel strap when working in an area with a conductive floor. If you are uncertain about the conductivity of your floor, wear a heel strap.
- *always* ground yourself before you clean, inspect, or make a connection to a static-sensitive device or test port. You can, for example, grasp the grounded outer shell of the test port or cable connector briefly.
- *always* ground the center conductor of a test cable before making a connection to the analyzer test port or other static-sensitive device. This can be done as follows:
 1. Connect a short (from your calibration kit) to one end of the cable to short the center conductor to the outer conductor.
 2. While wearing a grounded wrist strap, grasp the outer shell of the cable connector.
 3. Connect the other end of the cable to the test port and remove the short from the cable.

Figure 1-1 shows a typical ESD protection setup using a grounded mat and wrist strap. Refer to “ESD Supplies” on page 6-158 for part numbers.

Figure 1-1 ESD Protection Setup



Regulatory Information

This section contains information that is required by various government regulatory agencies.

Instrument Markings

Familiarize yourself with these instrument markings and their meanings before operating the instrument.



The instruction documentation symbol. The product is marked with this symbol when it is necessary for the user to refer to the instructions in the documentation.



This symbol indicates that the instrument requires alternating current (ac) input.



This symbol indicates separate collection for electrical and electronic equipment, mandated under EU law as of August 13, 2005. All electric and electronic equipment are required to be separated from normal waste for disposal (Reference WEEE Directive, 2002/96/EC).



This symbol indicates that the power line switch is ON.



This symbol indicates that the power line switch is in the STANDBY position.



This symbol indicates that the power line switch is in the OFF position.



This symbol is used to identify a terminal which is internally connected to the product frame or chassis.



The CE mark is a registered trademark of the European Community. (If accompanied by a year, it is when the design was proven.)



The CSA mark is a registered trademark of the CSA International. This instrument complies with Canada: CSA 22.2 No. 61010-1-04.



This is a symbol of an Industrial Scientific and Medical Group 1 Class A product.



This is a marking to indicate product compliance with the Canadian Interference-Causing Equipment Standard (ICES-001).



Direct Current.



This is a required mark signifying compliance with an EMC requirement. The C-Tick mark is a registered trademark of the Australian Spectrum Management Agency.



Indicates the time period during which no hazardous or toxic substance elements are expected to leak or deteriorate during normal use. Forty years is the expected useful life of the product.



This symbol on all primary or secondary packaging indicates compliance to China standard GB 18455-2001.

Lithium Battery Disposal

If the battery on the A17 CPU board assembly needs to be disposed of, dispose of it in accordance with your country's requirements. If required, you may return the battery to Agilent Technologies for disposal. Refer to ["Contacting Agilent"](#) on page 2-14 for assistance.



DO NOT THROW BATTERIES AWAY BUT
COLLECT AS SMALL CHEMICAL WASTE.

For instructions on removing and replacing the battery on the A17 CPU board assembly, refer to ["Removing and Replacing the Lithium Battery"](#) on page 7-68.

2 General Product Information

Information in This Chapter

Chapter Two at-a-Glance

Section Title	Summary of Content	Start Page
Maintenance	Cleaning instructions for the external surfaces of your analyzer. Information about electrical maintenance of your analyzer.	Page 2-3
Analyzer Options Available	A list of the options available for the microwave network analyzers.	Page 2-3
Analyzer Accessories Available	A list of accessories available for the microwave network analyzers.	Page 2-9
Analyzer Upgrades Available	A list of the upgrades available for the microwave network analyzers.	Page 2-8
Required Service Test Equipment	A list of service equipment that is required to perform system verification, performance tests, adjustments, and troubleshooting.	Page 2-11
Agilent Support, Services, and Assistance	The Internet address (URL) for on-line assistance. Service and support options available. Important information about shipping your analyzer to Agilent for service or repair.	Page 2-14

Maintenance

Physical Maintenance

WARNING To prevent electrical shock, disconnect the analyzer from the mains source before cleaning. Use a dry cloth or one slightly dampened with water to clean the external case parts. Do not attempt to clean internally.

Electrical Maintenance

Refer to [“Review the Principles of Connector Care”](#) on page 3-5.

Analyzer Options Available

Options as Upgrades

The options described in this section can be ordered as upgrades. Refer to [“Analyzer Upgrades Available”](#) on page 2-8.

Refer also to [“Upgrade Kits”](#) on page 6-159 for a complete list of available upgrade kits.

Option H85, High Power Configuration Capability

This option can be added to any analyzer with Option 219, 224, 419 or 423.

The Agilent N5241AS-H85/N5242AH85 is a modified version of the standard N5241/2A PNA-X Series Network Analyzer. Option H85 is designed to permit insertion of high power amplifiers, and other signal conditioning equipment, to allow high power network measurements at RF levels up to 20 watts (+43 dBm) from 10 MHz to 26.5 GHz. The Option H85 modification supplies extended power range attenuators *without* bias tees.

Option 008, Pulsed-RF Measurements

This option can be added to any analyzer with Option 025. Option 021 is recommended for forward-only pulsed-RF measurements. Option 021 and 022 are recommended for bi-directional pulsed-RF measurements. The N1966A pulse I/O adapter is recommended if using external pulse generators and/or external pulse modulators.

This option extends the pulsed-RF measurement capability of the PNA-X to pulse widths below 250 ns, which is the limit for the standard wideband detection mode. The PNA-X is a complete pulsed-RF solution with built-in pulse generators and modulators, so external test sets and pulse generators are not required. Option 008 provides software to set up and control narrowband pulsed-RF measurements with point-in-pulse and pulse-profile capability. The software sets the coefficients of the analyzer’s digital IF filters to null-out unwanted spectral components, enables the internal receiver IF gates on the rear panel, controls internal pulse generators (Option 025) or external Agilent pulse generators, controls internal pulse modulators (Options 021 and 022 or Option 036 and 037) or external pulse modulators, and performs

optimization for measurement sensitivity. The measurement software can run on the PNA-X or an external computer. A “.dll” file containing the IF-filter algorithms is included for automated pulsed-RF testing.

Option 010, Time Domain Operation

This option can be added to any other option combination.

An Option 010 analyzer can display the time domain response of a network or test device by calculating the inverse Fourier transform of the frequency domain response. This calculation allows the Option 010 analyzer to show the response of a test device as a function of time or distance. In time domain, the magnitude and location of a discontinuity and the characteristics of individual transmission paths of a network or test device can be determined. Time domain operation retains all the accuracy of active error correction.

Option 020, Add IF Inputs for Antenna and Millimeter-Wave

This option can be added to any other option combination.

This option enables external IF inputs on the rear panel of the analyzer for applications such as antenna and millimeter-wave test.

Option 021, Add Pulse Modulator to 1st Internal Source

This option can be added to any other option combination.

This option enables the internal pulse modulator on source 1. An external pulse generator can be connected through the rear-panel PULSE I/O connector or one of the internal pulse generators provided with Option 025 can be used. The N1966A pulse I/O adapter is recommended if using an external pulse generator. See [“Analyzer Accessories Available” on page 2-9](#).

Option 022, Add Pulse Modulator to 2nd Internal Source

This option can be added to any analyzer with Option 224 or Option 400.

This option enables the internal pulse modulator on source 2. An external pulse generator can be connected through the rear-panel PULSE I/O connector or one of the internal pulse generators provided with Option 025 can be used. The N1966A pulse I/O adapter is recommended if using an external pulse generator. See [“Analyzer Accessories Available” on page 2-9](#).

Option 025, Add Four Internal Pulse Generators

This option can be added to any other option combination.

This option enables four internal pulse generators. These pulse generators can be used to control the internal pulse modulators (Options 021 and 022) and internal receiver IF gates. These internal pulse generators are also available through the rear-panel PULSE I/O connector to control external pulse modulators. The N1966A pulse I/O adapter is recommended if using an external pulse generator. See [“Analyzer Accessories Available” on page 2-9](#).

Option 028, Noise Figure Measurements Using Standard Receivers Capability

This option can be added to any option combination that includes Option 082 or 083 for measuring frequency converters. For fully corrected noise figure measurements, this option requires an ECal module (m-f recommended) and a power meter (both must be ordered or supplied separately).

This option provides the firmware for high-accuracy noise figure measurements of amplifiers, frequency

converters, and mixers using the PNA-X's standard receivers, and utilizing Agilent's unique source-correction technique.

Option 029, Noise Figure Measurement Capability

This option can be added to Options 219, 224, 419, or 423.

This option provides the additional hardware and firmware necessary to add high-accuracy noise figure measurement capability to your 2-port or 4-port analyzer.

Option 080, Frequency Offset Measurements

This option can be added to any other option combination.

This option enables the additional firmware necessary to make frequency offset measurements by enabling the analyzer to set the source frequency independently from where the receivers are tuned. This ability is important for measuring amplifiers, mixers, and frequency converters.

Option 082, Scalar Calibrated Converter Measurements

This option can be added to any option combination that includes Option 080 but does not include Option 083.

This option enables the additional firmware necessary to make scalar calibrated converter measurements by providing an intuitive and easy-to-use user interface for setting up mixer and converter measurements.

Option 083, Vector and Scalar Calibrated Frequency Converter Measurements

This option can be added to any option combination that includes Option 080 but does not include Option 082.

This option enables the additional firmware necessary to make both vector and scalar calibrated converter measurements by providing an intuitive and easy-to-use user interface for setting up mixer and converter measurements. This option includes the Scalar-Calibrated Converter Measurement (SMC) and the Vector-Mixer Calibration (VMC).

Option 1CM, Rack Mount Kit for Instruments without Handles

Option 1CM provides a rack mount kit that contains a pair of flanges, rack mount rails, and the necessary hardware to mount the analyzer (not equipped with handles) in an equipment rack with 482.6 mm (19 inches) horizontal spacing.

Additional kits may be ordered from Agilent. Refer to ["Rack Mount Kits and Handle Kits"](#) on page 6-159 for the part numbers.

Option 1CP, Rack Mount Flange Kit for Instruments with Handles

Option 1CP provides a rack mount kit that contains a pair of flanges (cut to adapt to handles), rack mount rails, and the necessary hardware to mount the analyzer in an equipment rack with 482.6 mm (19 inches) horizontal spacing.

Additional kits may be ordered from Agilent. Refer to ["Rack Mount Kits and Handle Kits"](#) on page 6-159 for the part numbers.

Option 200, Standard 2-Port Configuration

This is a 2-port network analyzer with an upper frequency limit of either 13.5 GHz (N5241A) or 26.5 GHz (N5242A). This is the standard 2-port analyzer and contains:

- one internal source
- a reference mixer switch
- configurable test set

Option 219, 2-Port with Extended Power Range and Bias Tees

In addition to the Option 200 hardware, this 2-port analyzer contains:

- two source attenuators
- two receiver attenuators
- two bias tees

Option 224, 2-Port with 2nd Source, Combiner, and Mechanical Switches

In addition to the Options 200 and 219 hardware, this 2-port analyzer contains:

- another internal source with front-panel outputs (SRC 2 OUT1 and SRC 2 OUT 2)
- one source combiner
- three mechanical switches

Option 400, Standard 4-Port Configuration

This is a 4-port network analyzer with an upper frequency limit of either 13.5 GHz (N5241A) or 26.5 GHz (N5242A). This is the standard 4-port analyzer and contains:

- two internal sources
- a reference mixer switch
- configurable test set

Option 419, 4-Port with Extended Power Range and Bias Tees

In addition to the Option 400 hardware, this 4-port analyzer contains:

- four source attenuators
- four receiver attenuators
- four bias tees

Option 423, 4-Port with Combiner, and Mechanical Switches

In addition to the Options 400 and 419 hardware, this 4-port analyzer contains:

- one source combiner
- four mechanical switches

Option 460, Integrated True-Mode Stimulus Application (iTMSA)

This option can be added to any option combination that includes Option 400.

This option provides mismatch-corrected true-mode (true differential and true common) stimulus and enables accurate balanced measurements under real operating conditions. iTMSA also provides balanced measurements with forward-only sweep, reverse-only sweep, and frequency or power sweep with arbitrary phase and amplitude offsets. Requires firmware A.08.20 and above.

Option 551, N-Port Calibrated Measurements

This option allows your analyzer to make calibrated measurements on any number (N) of ports.

Option 897, Built-In Tests for Commercial Calibration

This option enables performance tests that are built into the analyzer that enable you to perform ISO 9001 commercial calibration of your analyzer. Refer to [“Service and Support Options” on page 2-14](#) for a description of the commercial calibration.

Option 898 Built-In Tests for Standards Compliant Calibration

This option enables performance tests that are built into the analyzer that enable you to perform ISO 17025 and ANSI Z540 standards compliant calibration of your analyzer. Refer to [“Service and Support Options” on page 2-14](#) for a description of the standards compliant calibrations.

Analyzer Upgrades Available

The options described in this chapter can be ordered as upgrades. The following table lists the Upgrades that are available for the N5241A and N5242A analyzers. Refer to the previous section, “[Analyzer Options Available](#)” on page 2-3, for a complete description of each option.

Refer also to [Chapter 6, “Replaceable Parts”](#) for a complete list of available upgrade kits and information on how to order them.

Table 2-1 Analyzer Upgrades Available

Upgrade	Order Number
Add Option H85 High Power Configuration Capability (remove bias tees) to 2-Port and 4-Port Models	N5241A/42AU-H85
Add Pulsed RF Measurement Capability (Option 008)	N5241A/42AU-008
Add Time Domain Operation (Option 010)	N5241A/42AU-010
Add IF Inputs for Antenna and mm-Wave (Option 020)	N5241A/42AU-020
Add Pulse Modulator to 1st Internal Source (Option 021)	N5241A/42AU-021
Add Pulse Modulator to 2nd Internal Source (Option 022)	N5241A/42AU-022
Add Four Internal Pulse Generators (Option 025)	N5241A/42AU-025
Add Noise Figure Measurement Capability Using Standard Receivers (Option 028)	N5241A/42AU-028
Add Frequency Offset Mode (Option 080)	N5241A/42AU-080
Add Scalar Calibrated Converter Measurements (Option 082)	N5241A/42AU-082
Add Vector and Scalar Calibrated Converter Measurements (Option 083)	N5241A/42AU-083
Add Integrated True-Mode Stimulus Application (Option 460)	N5241A/42AU-460
Bias Tees and Source and Receiver Attenuators for 2-Port Models (Option 200 to 219)	N5241A/42AU-921
Second Internal Source, Combiner, and Mechanical Switches for 2-Port Models (Option 219 to 224)	N5241A/42AU-922
4-Port Capability, Second Internal Source (Option 200 to 400)	N5241A/42AU-940
4-Port Capability, Bias Tees and Source and Receiver Attenuators for additional ports, and Second Internal Source (Option 219 to 419)	N5241A/42AU-942
4-Port Capability, Bias Tees and Source and Receiver Attenuators for additional ports, and Mechanical Switch (Option 224 to 423)	N5241A/42AU-944
Add Option 029 (noise figure measurement capability) to 2-Port Models	N5241A/42AU-924
Bias Tees and Source and Receiver Attenuators for 4-Port Models (Option 400 to 419)	N5241A/42AU-926
Combiner and Mechanical Switches for 4-Port Models (Option 419 to 423)	N5241A/42AU-927
Add Option 029 (noise figure measurement capability) to 4-Port Models	N5241A/42AU-929
N-Port Calibrated Measurements (Option 551)	N5241A/42AU-551

Table 2-1 Analyzer Upgrades Available

Upgrade	Order Number
Add built-in performance test software for Agilent inclusive calibration perpetual license (Option897)	N5241A/42AU-897
Add built-in performance test software for standards compliant calibration perpetual license (Option898)	N5241A/42AU-898

Analyzer Accessories Available

CD-RW Drive—N4688A

This accessory is an external read/write CD drive with a USB cable and can be ordered as model number N4688A.

USB Hub—N4689A

This accessory is a 4-port USB hub for connecting additional USB peripheral devices and can be ordered as model number N4689A.

Pulse I/O Adapter—N1966A

An adapter for connecting between the analyzer's rear-panel PULSE I/O connector and the coaxial inputs and outputs of external pulse generators and external pulse modulators. The adapter contains 11 SMB-male coaxial connectors and a mating connector for the rear-panel PULSE I/O connector.

This adapter can be ordered as model number N1966A.

Figure 2-1 N1966A Pulse I/O Adapter



N5242_001_201

Required Service Test Equipment

Equipment	Critical Specifications	Recommended Model or Part Number	Alternate Model or Part Number	Use ^a
Test Instruments and Software				
Frequency counter	Freq: 10 MHz to 10.5 GHz Accuracy : ±0.5 ppm	53151A Opt 001	None	P, A, T
Spectrum analyzer	Min Freq: 1 MHz Max Freq: > 4 GHz Resolution BW: 300 Hz	8565E	856xE	A, T
Power meter	Accuracy: ±0.0068 dB	E4418B/19B	E4418A/19A ^b	P, A, T
Power sensor	Freq: 300 kHz to 3.0 GHz Range: -30 to +20 dBm	8482A	None	P, A, T
Power sensor	Freq: 3.0 GHz to 26.5 GHz Range: -30 to +20 dBm	E4413A	8485A	P, A, T
Dynamic accuracy test set	None specified	Z5623A Opt H01	None	P
Receiver compression test set	None specified	Z5623A Opt K01	None	P
Signal generator	CW Freq: 1.185 GHz	N5181A Opt 503	E8257D Opt 520	P, A, T
Noise source	10 MHz to 26.5 GHz	346C	None	P, A, T
Digital multi-meter	Voltage and resistance measurement capability Voltage resolution: 10 mV	Any	Any	T
Printer	N/A	Any printer with Microsoft® Windows® XP driver		P
Internal test software ^c	N/A	Option 897/898	None	P

- a. P = Performance tests, A = Adjustments, T = Troubleshooting, V = System verification
- b. If an accurate measurement of the dynamic accuracy specification is not required, the E4418A or E4419A can be used.
- c. The recommended model or part number for all equipment listed with a “P” in the Use column is required for proper operation of the analyzer’s internal test software.

Microsoft® and Windows® are U.S. registered trademarks of Microsoft Corporation.

Required Service Test Equipment (Cont'd)

Equipment ^a	Critical Specifications	Recommended Model or Part Number	Alternate Model or Part Number	Use ^b
Calibration and Verification Kits				
3.5 mm calibration kit	Freq: 10 MHz to 26.5 GHz	85052B	85052D	P,T,V
3.5 mm verification kit	Freq: 10 MHz to 26.5 GHz	85053B	None	V
Cables				
BNC cable (2 required)	50 Ω, length ≥ 60 cm	8120-1839	None	A
3.5 mm RF cable (Qty 2)	50 Ω, length ≥ 60 cm	85131C	85131E	P,A,V
GPIB cable	N/A	10833A/B/C/D	None	P,A
Adapters				
3.5 mm (f) to 3.5 mm (f)	Return Loss: ≥ 32 dB	83059B	85052-60012 ^c	P,A,T
3.5 mm (f) to type-N (m)	Return Loss: ≥ 28 dB	1250-1743	None	P,A,T
Attenuators				
3.5 mm (m,f), 10-dB fixed attenuator	Accuracy: ± 0.5 dB Freq: 10 MHz to 26.5 GHz	8493C Option 010	None	P
3.5 mm (m,f), 20-dB fixed attenuator	Accuracy: ± 0.5 dB Freq: 10 MHz to 26.5 GHz	8493C Option 020	None	P

a. Unless specified otherwise, equipment listed is required for all analyzer models.

b. P = Performance tests, A = Adjustments, T = Troubleshooting, R = Repair, V = System verification

c. Included in the 85052B/D calibration kits.

Required Service Test Equipment (Cont'd)

Equipment ^a	Critical Specifications	Recommended Model or Part Number	Alternate Model Number	Use ^b
Tools				
T-8 TORX driver	0.6 N-m (5 in-lb) setting	N/A	N/A	R
T-10 TORX driver	0.5, 0.8, and 1.0 N-m (4, 7, and 9 in-lb) settings	N/A	N/A	T, R
T-15 TORX driver	1.5 N-m (14 in-lb) setting	N/A	N/A	T, R
T-20 TORX driver	2.4 N-m (21 in-lb) setting	N/A	N/A	T, R
1/4 inch and 5/16 inch open-end wrench	Thin profile	8710-0510	N/A	A, R
5/16 inch, open-end torque wrench (metric equivalent is 8 mm)	1.1 and 2.4 N-m (10 and 21 in-lb) settings (for semi-rigid cables)	N/A	N/A	T, R
1 inch, open-end torque wrench (metric equivalent is 26 mm)	8.1 N-m (72 in-lb) setting (for Port 1 and Port 2 connector nuts)	N/A	N/A	R
20 mm, open-end torque wrench	0.9 N-m (8 in-lb) setting (for measurement port connections)	8710-1764	N/A	P, A, T
Static Safety Parts				
Adjustable antistatic wrist strap	N/A	9300-1367	None	P, A, T
Antistatic wrist strap grounding cord (5 foot)	N/A	9300-0980	None	P, A, T
Static control table mat and earth ground wire	N/A	9300-0797	None	P, A, T
Miscellaneous				
USB flash ROM drive	N/A	Any	None	P, A, R

a. Unless specified otherwise, equipment listed is required for all analyzer models.

b. P = Performance tests, A = Adjustments, T = Troubleshooting, R = Repair, V = System verification

Agilent Support, Services, and Assistance

Information on the following topics is included in this section.

- “Service and Support Options”
- “Contacting Agilent”
- “Shipping Your Analyzer to Agilent for Service or Repair”

Service and Support Options

The analyzer’s standard warranty period is *one-year from the time of initial delivery*. All repairs require the analyzer to be shipped to the nearest Agilent Technologies service center. Extended warranty periods can be purchased with the initial product purchase.

There are many other repair and calibration options available from the Agilent Technologies support organization. These options cover a range of service agreements with a variety of time frames. The following support products with their associated options are available for purchase with the initial product purchase.

- R1280A Return to Agilent Warranty and Service Plan
Options are available to extend the warranty period to three or five years.
- R1282A Return to Agilent Calibration Plan
The analyzer is delivered with a one-year calibration certificate. Options are available to have Agilent Technologies provide three or five year calibration coverage (perform the annual calibration two or four times). Options for basic calibration or ISO 17025 or ANSI Z540 standards compliant calibrations are available. After calibration, the analyzer will be returned with a calibration label, a calibration certificate, and the calibration data.
- R1288A Return to Agilent On-Site Warranty and Service Plan
Same as R1280A, but the service is provided at the customer site.
- R1298A Return to Agilent On-Site Calibration Plan
Same as R1282A, but the service is provided at the customer site.

For more information on these and other service, please visit <http://service.tm.agilent.com/infoline/> or refer to “Contacting Agilent” on page 2-14. If the warranty or calibration plan period has expired, these services are available on a per-incident basis. Visit this InfoLine web site or contact Agilent to obtain a quote.

Contacting Agilent

Assistance with test and measurements needs and information or finding a local Agilent office are available on the Web at: <http://www.agilent.com/find/assist>

If you do not have access to the Internet, please contact your Agilent field engineer.

NOTE In any correspondence or telephone conversation, refer to the Agilent product by its model number and full serial number. With this information, the Agilent representative can determine whether your product is still within its warranty period.

Shipping Your Analyzer to Agilent for Service or Repair

IMPORTANT Agilent Technologies reserves the right to reformat or replace the internal hard disk drive in your analyzer as part of its repair. This will erase all user information stored on the hard disk. It is imperative, therefore, that you make a backup copy of your critical test data located on the analyzer's hard disk before shipping it to Agilent for repair.

If you wish to send your network analyzer to Agilent Technologies for service or repair:

- Include a complete description of the service requested or of the failure and a description of any failed test and any error message.
- If alternate front handles and rack mount hardware have been installed, remove and retain them. The analyzer should be sent to Agilent in the same configuration as it was originally shipped.
- Reinstall front and rear impact covers.
- Ship the analyzer using the original or comparable antistatic packaging materials.
- Contact Agilent for instructions on where to ship your analyzer.

3 Tests and Adjustments

Information in This Chapter

This chapter contains procedures to help you check, verify, and adjust your PNA.

- The checks verify the operation of the assemblies in your analyzer.
- The verification compares the operation of your analyzer to a gold standard.
- The adjustments allow you to tune your analyzer for maximum response.

Conventions Used for Hardkeys, Softkeys, and Menu Items

The following conventions are used in this document:

Hardkey

This represents a “hardkey”, a key that is physically located on the instrument.

Softkey

This represents a “softkey”, a key whose label is determined by the instrument firmware.

Menu Item

This represents an item in a drop-down or pop-up menu.

Chapter Three at-a-Glance

Section Title	Summary of Content	Start Page
Before You Begin	Items to consider or procedures to perform before testing is begun: <ul style="list-style-type: none"> • Verify the Operating Environment • Protect Against Electrostatic Discharge (ESD) • Allow the Analyzer to Warm Up • Review the Principles of Connector Care 	Page 3-4
About System Verification and Performance Tests	Descriptions of: <ul style="list-style-type: none"> • System Specifications • Instrument Specifications • System Verification Procedure • Performance Tests • Certificate of Calibration 	Page 3-6
ANSI/NCSL Z540–1–1994 Verification	The ANSI/NCSL Z540-1-1994 process of verifying your analyzer.	Page 3-9
Non-ANSI/NCSL Z540–1–1994 Verification	The non-ANSI/NCSL Z540-1-1994 process of verifying your analyzer.	Page 3-10

Section Title	Summary of Content	Start Page
Preliminary Checks	Performing the operator’s check. Checking your test cables. <i>Perform these checks before performing system verification.</i>	Page 3-11
System Verification	What the system verification does. How to perform the verification test. How to interpret the results.	Page 3-20
Performance Tests^a	A brief summary of each performance test: <ul style="list-style-type: none"> • Source Maximum Power Output Test • Source Power Linearity Test • Frequency Accuracy Test • Trace Noise Test • Receiver Compression Test • Noise Floor Test • Calibration Coefficients Test • Dynamic Accuracy Test 	Page 3-29
Adjustments^b	Setups and procedures for adjusting your analyzer: <ul style="list-style-type: none"> • 10 MHz Frequency Reference Adjustment • IF Gain Adjustment • Synthesizer Bandwidth Adjustment • Source Adjustment • Receiver Adjustment • Receiver Characterization • EE Default Adjustment 	Page 3-36

a. These performance tests are included in the analyzer’s firmware for Options 897 and 898.

b. These adjustments are included in the analyzer’s firmware on all models and options.

Before You Begin

Before checking, verifying, or adjusting the analyzer, refer to the following paragraphs to:

- make sure the operating environment is within its requirements
- make sure that proper electrostatic discharge (ESD) protection is provided
- make sure the analyzer has warmed up properly to achieve system stability
- review the principles of connector care

Verify the Operating Environment

Due to their operating specifications, the verification and calibration kit devices determine your operating environment conditions. Open the calibration and verification kits and place all the devices on top of the foam inserts so they will reach room temperature. As the device dimensions change with temperature, their electrical characteristics change as well.

It is necessary to keep the environmental levels within the following limits:

- Temperature: $+23\text{ }^{\circ}\text{C} \pm 3\text{ }^{\circ}\text{C}$ (Error-corrected temperature range)
Once the measurement calibration has been done, the ambient temperature must be maintained to within $\pm 1\text{ }^{\circ}\text{C}$ of the calibration temperature.
- Humidity: 0% to 95% at 40 °C maximum, non-condensing
- Altitude: 0 to 4,600 meters ($\approx 15,000$ feet.)

Protect Against Electrostatic Discharge (ESD)

This is important. If not properly protected against, electrostatic discharge can seriously damage your analyzer, resulting in costly repair.

CAUTION To reduce the chance of electrostatic discharge, follow all of the recommendations outlined in [“Electrostatic Discharge Protection” on page 1-6](#), for all of the procedures in this chapter.

Allow the Analyzer to Warm Up

NOTE To achieve the maximum system stability, allow the analyzer to warm up for at least 90 minutes.

Review the Principles of Connector Care

Proper connector care and connection techniques are critical for accurate and repeatable measurements. Refer to [Table 3-1](#) for tips on connector care.

Prior to making connections to your analyzer, carefully review the information about inspecting, cleaning, and gaging connectors. Refer to the calibration kit documentation for detailed connector care information.

For course numbers about additional connector care instruction, contact Agilent Technologies. Refer to [“Contacting Agilent” on page 2-14](#).

Table 3-1 Connector Care Quick Reference Guide

Handling and Storage	
Do <ul style="list-style-type: none"> • Keep connectors clean • Extend sleeve or connector nut • Use plastic end-caps during storage 	Do Not <ul style="list-style-type: none"> • Touch mating-plane surfaces • Set connectors contact-end down • Store connectors or adapters loose
Visual Inspection	
Do <ul style="list-style-type: none"> • Inspect all connectors carefully • Look for metal particles, scratches, and dents 	Do Not <ul style="list-style-type: none"> • Use a damaged connector - ever
Connector Cleaning	
Do <ul style="list-style-type: none"> • Try compressed air first • Use isopropyl alcohol^a • Clean connector threads 	Do Not <ul style="list-style-type: none"> • Use any abrasives • Get liquid into plastic support beads
Gaging Connectors	
Do <ul style="list-style-type: none"> • Clean and zero the gage before use • Use the correct gage type • Use correct end of calibration block • Gage all connectors before first use 	Do Not <ul style="list-style-type: none"> • Use an out-of-specification connector
Making Connections	
Do <ul style="list-style-type: none"> • Align connectors carefully • Make preliminary connection contact lightly • Turn only the connector nut • Use a torque wrench for final connection 	Do Not <ul style="list-style-type: none"> • Apply bending force to connection • Over tighten preliminary connection • Twist or screw any connection • Tighten past torque wrench “break” point

- a. Cleaning connectors with alcohol shall only be done with the instrument’s power cord removed, and in a well-ventilated area. Allow all residual alcohol moisture to evaporate, and the fumes to dissipate prior to energizing the instrument.

About System Verification and Performance Tests

The performance of the network analyzer is specified in two ways: system specifications, and instrument specifications. It is the end user's responsibility to determine which set of specifications is applicable to their use of the PNA.

A network analyzer measurement "system" includes the analyzer, calibration kit, test cables, and any necessary adapters. **The system verification software in the PNA is used to verify the system's conformance to the "system" specifications.** A "pass" result demonstrates that the analyzer, test cables, and adapters, perform correctly as a system. It DOES NOT demonstrate that any one component performs according to its individual specifications. A change to any part of this measurement system requires a re-verification of the system.

Instrument specifications specify the network analyzer's uncorrected measurement port characteristics and its output and input behavior. **The PNA performance tests are used to verify the analyzer's conformance to "instrument" specifications.**

System Specifications

System specifications specify warranted performance of the measurement system when making error-corrected measurements using the same calibration kit and test cables used during the system verification routine. System specifications are applicable only when the measurement system is used to make error-corrected measurements.

The analyzer's system specifications are described in the *Agilent PNA Series Network Analyzer Technical Specifications* and also in the analyzer's on-line help system in the section titled "Corrected System Performance".

System specifications are expressed in two ways:

- residual errors of the measurement system shown as tabular specification values
- graphs of measurement uncertainty versus reflection and transmission coefficients

System specifications are verified in one of the following ways:

- Complete the system verification procedure using a certified verification kit and certified calibration kit that will be used for future measurements, or
- Complete all of the performance tests using a certified calibration kit that will be used for future measurements. This alternative verifies both the system specifications and the instrument specifications for the analyzer.

Instrument Specifications

The analyzer's instrument specifications are described in the *Agilent PNA Series Network Analyzer Technical Specifications* and also in the analyzer's on-line help system in the sections titled "Uncorrected System Performance", "Test Port Output", and "Test Port Input".

These specifications apply when the analyzer is used to make either raw or error-corrected measurements.

System Verification Procedure

The system verification procedure tests the network analyzer measurement "system", as defined previously,

against the system specifications. If confirmation is successful, the measurement system is capable of making measurements to the accuracy specified by the graphs of measurement uncertainty.

The procedure consists of calibrating the analyzer with a calibration kit, measuring a set of characterized devices, and comparing the resultant measured data to the data and uncertainty limits supplied with the verification kit. The device data provided with the verification kit has a traceable path to NIST. The total measurement uncertainty limits for the performance verification are the sum of the factory measurement uncertainties and the uncertainties associated with measuring the same devices on the system being verified. The difference between the factory-measured data and the verification-measured data must fall within the total uncertainty limits at all frequencies for the total system uncertainty test to pass.

NOTE Calibration kits are different from verification kits. Calibration kits are used to determine the systematic errors of a network analyzer measurement system. Verification kits are used to confirm system specifications and are not used to generate error correction.

Performance Tests

Performance tests are used to confirm analyzer performance against the “instrument” specifications. If confirmation is successful, the analyzer meets the instrument specifications.

Performance tests are contained in the analyzer’s firmware with Options 897 or 898 and are described at “[Performance Tests](#)” on page 3-29.

An illustrated outline of the performance verification procedure:

- for ANSI/NCSL Z540-1-1994 verification, is shown in [Figure 3-1 on page 3-9](#).
- for non-ANSI/NCSL Z540-1-1994 verification, is shown in [Figure 3-2 on page 3-10](#).

Certificate of Calibration

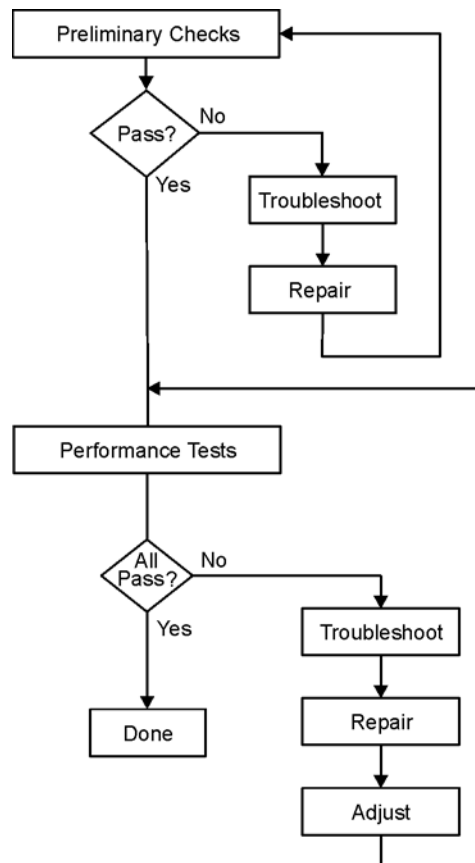
Agilent Technologies will issue a certificate of calibration upon successful completion of system verification or completion of the performance tests. The certificate of calibration will apply to the “system” (analyzer, calibration kit, test cables, and any necessary adapters) if the system verification procedure is used to confirm the system specifications. If the performance tests are used to confirm instrument specifications, the certificate of calibration will apply to the PNA as an independent instrument. The equipment and measurement standards used for the tests must be certified and must be traceable to recognized standards.

NOTE If you have a measurement application that does not use all of the measurement capabilities of the analyzer, you may ask your local Agilent Technologies service office to verify only a subset of the specifications. However, this “limited calibration” creates the possibility of making inaccurate measurements if you then use the analyzer in an application requiring additional capabilities.

ANSI/NCSL Z540-1-1994 Verification

To meet the criteria for ANSI/NCSL Z540-1-1994, perform the preliminary checks and all performance tests *without stopping to repair or adjust*¹. Refer to [Figure 3-1](#) for test flow. Print data at the completion of all the tests, even if you are aware that the analyzer did not pass. If there is a failure, complete the verification before you troubleshoot, repair, and adjust. After the failure has been corrected, repeat the entire set of performance tests and generate a new set of data.

Figure 3-1 ANSI/NCSL Z540-1-1994 Test Path Verification Flowchart



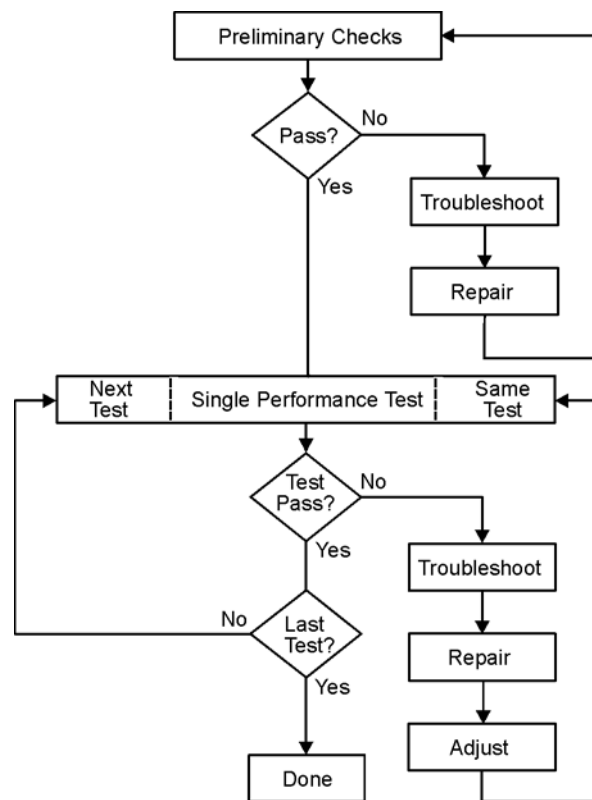
sc870b

1. Stop only in case of a catastrophic failure or cable connector damage

Non-ANSI/NCSL Z540-1-1994 Verification

For non-ANSI/NCSL Z540-1-1994, perform the preliminary checks and the performance tests while *stopping to troubleshoot*. Refer to [Figure 3-2](#) for test flow. Troubleshoot and repair the first problem encountered without continuing to other tests. After you troubleshoot, repair, and adjust, repeat the *last failed* portion and generate a new set of data.

Figure 3-2 Non-ANSI/NCSL Z540-1-1994 Test Path Verification Flowchart



sc869b

Preliminary Checks

Preliminary checks include the following:

- “The Operator’s Check” on page 3-11
The operator’s check tests the network analyzer’s basic functionality of the source, switch, and receivers.
- “The Test Port Cable Checks” on page 3-13
The test port cable checks are not required, but are recommended to verify the performance of the test port cables before performing the verification test.

The Operator’s Check

NOTE To achieve the maximum system stability, allow the analyzer to warm up for at least 90 minutes before performing the Operator’s Check.

The operator’s check is a software driven test that checks the basic operation of the assemblies in all of the measurement port signal paths. By performing the operator’s check, the following are determined:

- attenuation ranges of all installed attenuators
- calibration of the receivers
- frequency response of the receivers
- phase lock and leveling
- noise floor and trace noise

Accessories Used in the Operator’s Check

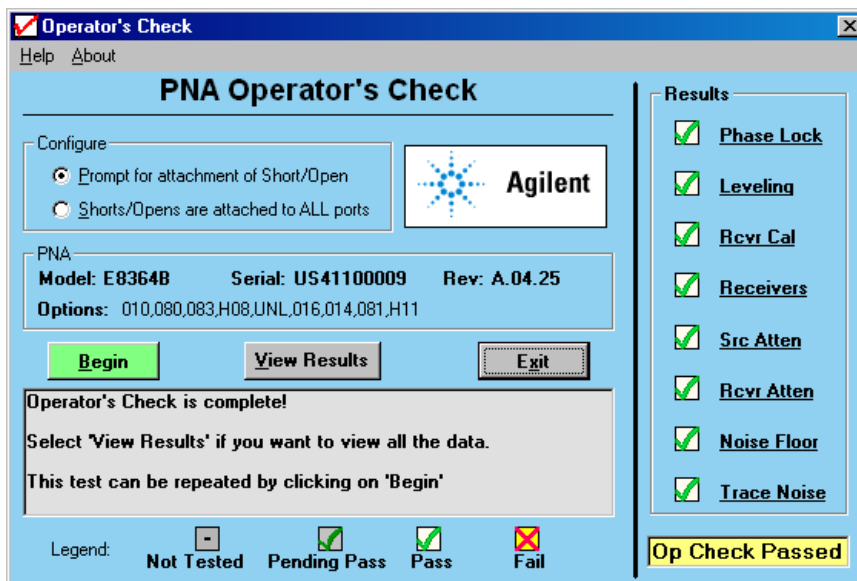
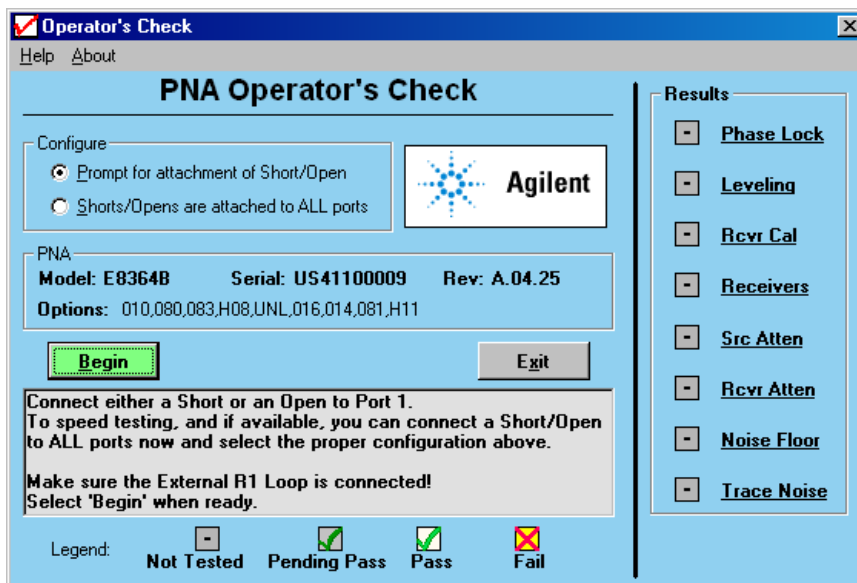
Equipment Type	Part Number
Female short, 3.5 mm	(any short from the 85052B calibration kit)
Female open, 3.5 mm	(any open from the 85052B calibration kit)

Performing the Operator’s Check

1. Press UTILITY **System**, then **Service**, then **Operator’s Check**.
2. In the **PNA Operator’s Check** dialog box (refer to [Figure 3-3](#)), under **Configure**, select either **Prompt for attachment of Short/Open**, to pause at each step in the process to allow moving the short/open to the appropriate port, or **Shorts/Opens are attached to ALL ports**, to run through the test without stopping. Shorts and opens can be mixed on the test ports.
3. Click **Begin**.
4. If shorts and opens are not connected to all ports, you will be prompted to connect them as they are needed.
5. The result of the operator’s check will be shown as a PASS or FAIL next to each test (refer to [Figure 3-3](#)). The PNA Operator’s Check dialog box will look different for different PNA model numbers and installed

options. Some of the tests are performed only if the appropriate options are installed in the PNA.

Figure 3-3 Operator’s Check Dialog Box



If the Operator’s Check Fails

1. Clean the test ports, shorts, and adapters. Torque to specification. Repeat the check.
2. If the check still fails, suspect a faulty component. Refer to [“Measurement System Troubleshooting” on page 4-23](#) to begin troubleshooting to determine the faulty component.

The Test Port Cable Checks

A faulty test port cable can cause a failure in the verification test. The following checks are not required, but are recommended to verify the performance of the test port cable.

- [“Cable Return Loss Check” on page 3-14](#)
- [“Cable Insertion Loss Check” on page 3-15](#)
- [“Cable Magnitude and Phase Stability Check” on page 3-16](#)
- [“Cable Connector Repeatability Check” on page 3-18](#)

Accessories Used in the Test Port Cable Checks

Equipment Type	Model or Part Number	Alternate Model or Part Number
Calibration kit, 3.5 mm	85052B	85052D
Test cable, 3.5 mm (f) to 3.5 mm (f)	85131C	85131E

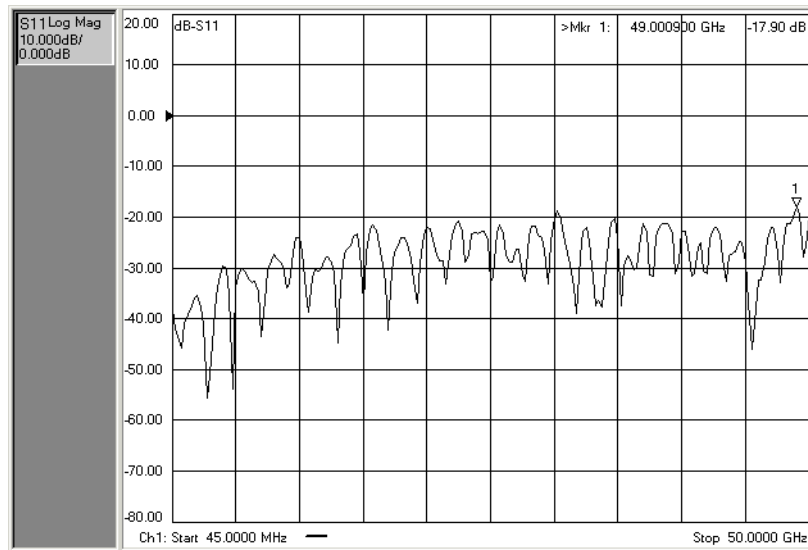
Cable Return Loss Check

1. Press UTILITY **Preset**.
2. Perform a one-port calibration on Port 1, **1-Port Reflection**. Refer to the embedded help in the analyzer if necessary.
3. Connect the test port cable to Port 1. Connect a broadband load to the other end of the cable. Tighten to the specified torque for the connector type.

The analyzer now displays the return loss of the cable.

4. Press MARKER/ANALYSIS **Search**, then **Search**. In the **Marker Search** dialog box, in the **Search Type** box, make sure **Maximum** is selected. Click **Execute**, and then click **OK**.
5. The marker annotation on the screen indicates the worst case return loss. Refer to the cable manual to see if it meets the return loss specification. For an example of a typical return loss measurement, see [Figure 3-4](#).

Figure 3-4 Typical Cable Return Loss Response



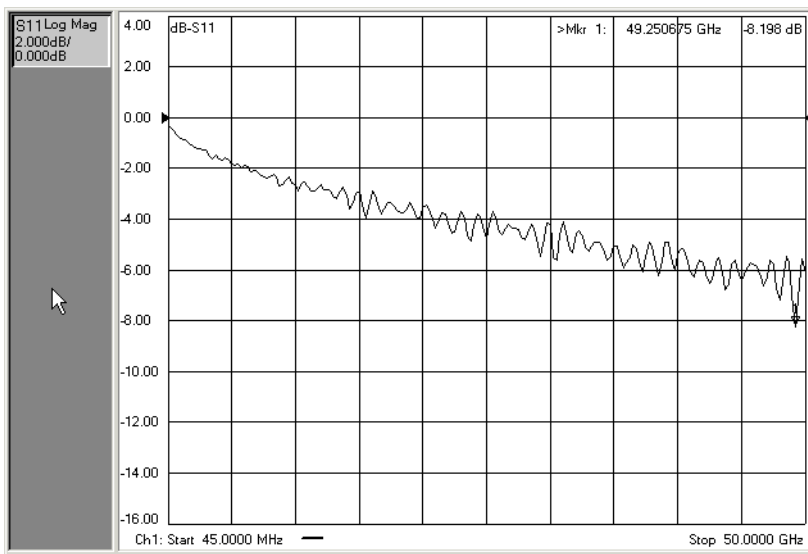
If the Cable Return Loss Check Fails

1. Clean the cable and devices and torque to specification. Repeat the check.
2. If the check still fails, the cable should be repaired or replaced.

Cable Insertion Loss Check

1. With the test port cable still connected to Port 1, connect a short to the other end of the cable.
2. Press MARKER/ANALYSIS **Search** , then **Search** . In the **Marker Search** dialog box, in the **Search Type** box, select **Minimum**. Click **Execute**, and then click **OK**.
3. The displayed response is twice the actual loss. To get the actual worst case insertion loss, divide the value at the marker annotation by two. Refer to the cable manual to see if it meets the insertion loss specification. For an example of a typical insertion loss measurement, see [Figure 3-5](#).

Figure 3-5 Typical Cable Insertion Loss Response



If the Cable Insertion Loss Check Fails

1. Clean the cable and devices and torque to specification. Repeat the check.
2. If the check still fails, the cable should be repaired or replaced.

Cable Magnitude and Phase Stability Check

1. With the test port cable still connected to Port 1, connect a short to the other end of the cable.
2. Press UTILITY **Preset**.
3. Press TRACE/CHANNEL **Traces**, then **New Trace...**. In the **New Trace** dialog box, click the **S11** box, and then click **OK**.
4. Press RESPONSE **Format**, then **Phase**, then ENTRY **Enter**.
5. Press RESPONSE **Avg**. Verify that **Average ON/off** is **ON**. If not, press the **Average on/OFF** softkey to toggle it **ON**.

The **Averaging Factor** box will appear directly above the display. In the **Averaging Factor** box, type **50** or click the arrows to select **50**, and then press ENTRY **Enter**.

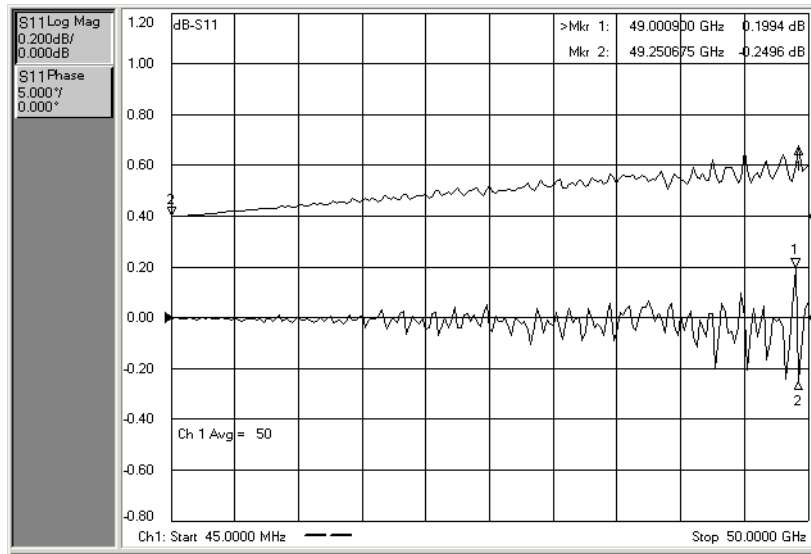
6. To provide a good reference, hold the test cable in a straight line perpendicular to the front panel of the network analyzer.
7. Press RESPONSE **Avg**, then **Averaging Restart**.
8. Wait for the analyzer to average the measurement 50 times (approximately two seconds).
9. To normalize the data trace: press MARKER/ANALYSIS **Memory**, then **Data Trace**, then **Data Math**, then **Data/Memory**, then ENTRY **Enter**.
10. Slowly make a 180 degree bend in the middle of the cable and hold it in that position.
11. For each trace: press RESPONSE **Scale**, then **Scale**.

The **Scale Per Division** box will appear directly above the display. Set the **Scale Per Division** for optimum viewing as shown in [Figure 3-6](#).

12. Place a marker on the largest deflection that goes above the reference line and is within the cable's specified frequency range. For a typical response of cable magnitude and phase stability, see [Figure 3-6](#).
13. Place a marker on the largest deflection that goes below the reference line and is within the cable's specified frequency range.

In this S_{11} measurement, the displayed trace results from energy being propagated down the cable and reflected back from the short. Therefore, the measured deflection value must be divided in half to reach the correct value.

Figure 3-6 Typical Cable Magnitude and Phase Stability Response



If the Cable Magnitude and Phase Stability Check Fails

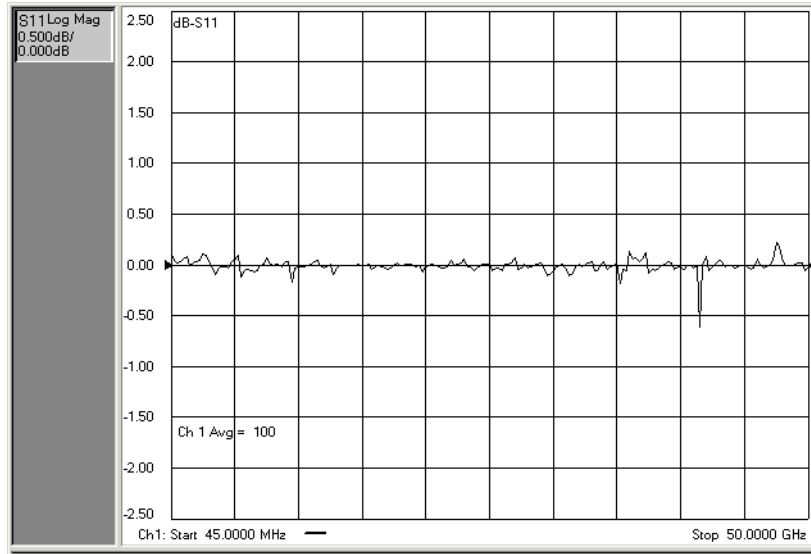
1. Clean the cable and devices and torque to specification. Repeat the check.
2. If the check still fails, the cable should be repaired or replaced.

Cable Connector Repeatability Check

NOTE The connector repeatability measurement should be done at the test port as well as at the end of the test port cable.

1. With the test port cable still connected to Port 1, connect a broadband load to the other end of the cable.
2. Press UTILITY **Preset**.
3. Press RESPONSE **Avg**. Verify that **Average ON/off** is **ON**. If not, press the **Average on/OFF** softkey to toggle it **ON**.
The **Averaging Factor** box will appear directly above the display. In the **Averaging Factor** box, type **100** or click the arrows to select **100**, and then press ENTRY **Enter**.
4. Wait for the analyzer to average the measurement 100 times (approximately five seconds).
5. To normalize the data trace: press MARKER/ANALYSIS **Memory**, then **Data Trace**, then **Data Math**, then **Data/Memory**, then ENTRY **Enter**.
6. To adjust the display scale:
 - a. Press RESPONSE **Scale**, then **Scale**.
The **Scale Per Division** box will appear directly above the display. Set the **Scale Per Division** for **0.5 dB**. Press ENTRY **Enter**.
 - b. Press **Reference Level**.
The **Reference Level** box will appear directly above the display. Set the **Reference Level** for **0 dB**. Press ENTRY **Enter**.
7. Disconnect and then reconnect the cable to the test port. Tighten the connection to the specified torque for the connector type.
8. Press RESPONSE **Avg**, then **Averaging Restart**.
9. Look at the trace for spikes or modes.
10. To re-normalize the data trace of the reconnected cable: press MARKER/ANALYSIS **Memory**, then **Data->Memory**, then ENTRY **Enter**.
11. Repeat steps 7 through 9 at least three times to look for modes. Modes appear when a harmonic of the source fundamental frequency is able to propagate through the cable or connector. It is helpful to print a plot of the trace each time to compare several connections. If any mode appears each time the cable is connected and reconnected, measurement integrity will be affected.
For a typical response of cable connector repeatability, see [Figure 3-7](#).
12. For the Port 2, 3, and 4 Check, connect the cable (with the load attached) to the respective port and repeat steps 2 through 11.

Figure 3-7 Typical Cable Connector Repeatability Response



If the Cable Connector Repeatability Check Fails

1. Clean the cable and devices, and torque to specification. Repeat the check.
2. If the check still fails, the cable should be repaired or replaced.

System Verification

System verification is used to verify system-level, error-corrected uncertainty limits for network analyzer measurements. The verification procedure is automated and is contained in the firmware of the analyzer.

The device data provided with the verification kit has a traceable path to a national standard. The difference between the supplied traceable data and the measured data must fall within the total uncertainty limits at all frequencies for the system verification to pass.

The total measurement uncertainty limits for the system verification are the sum of the factory measurement uncertainties for the verification devices and the uncertainties associated with the system being verified. You can determine your system measurement uncertainty limits by referring to the analyzer embedded on-line help.

IMPORTANT Passing this system verification does not guarantee that the analyzer meets all of its performance specifications. However, it does show that the network analyzer being verified measures the same devices with the same results as a factory system which has had all of its specifications verified and its total measurement uncertainty minimized.

What the System Verification Verifies

The system verification procedure verifies proper operation of the:

- network analyzer
- calibration kit
- test port cables

together as a “system”. It DOES NOT verify that any of these components pass their specifications independently. The user is responsible for independently calibrating and verifying the proper operation of the calibration kit and test port cables prior to performing the system verification.

NOTE Additional equipment or accessories used with the above system are not verified by system verification.

Measurement Uncertainty

Measurement uncertainty is defined as the sum of:

- the residual systematic (repeatable) errors, and
- the random (non-repeatable) errors

in the measurement system after calibration.

The systematic errors are:

- directivity,
- source match,
- load match,
- reflection and transmission frequency tracking, and
- isolation (crosstalk).

The random errors include:

- noise,
- drift,
- connector repeatability, and
- test cable stability.

A complete description of system errors and how they affect measurements is provided in the analyzer's on-line embedded help.

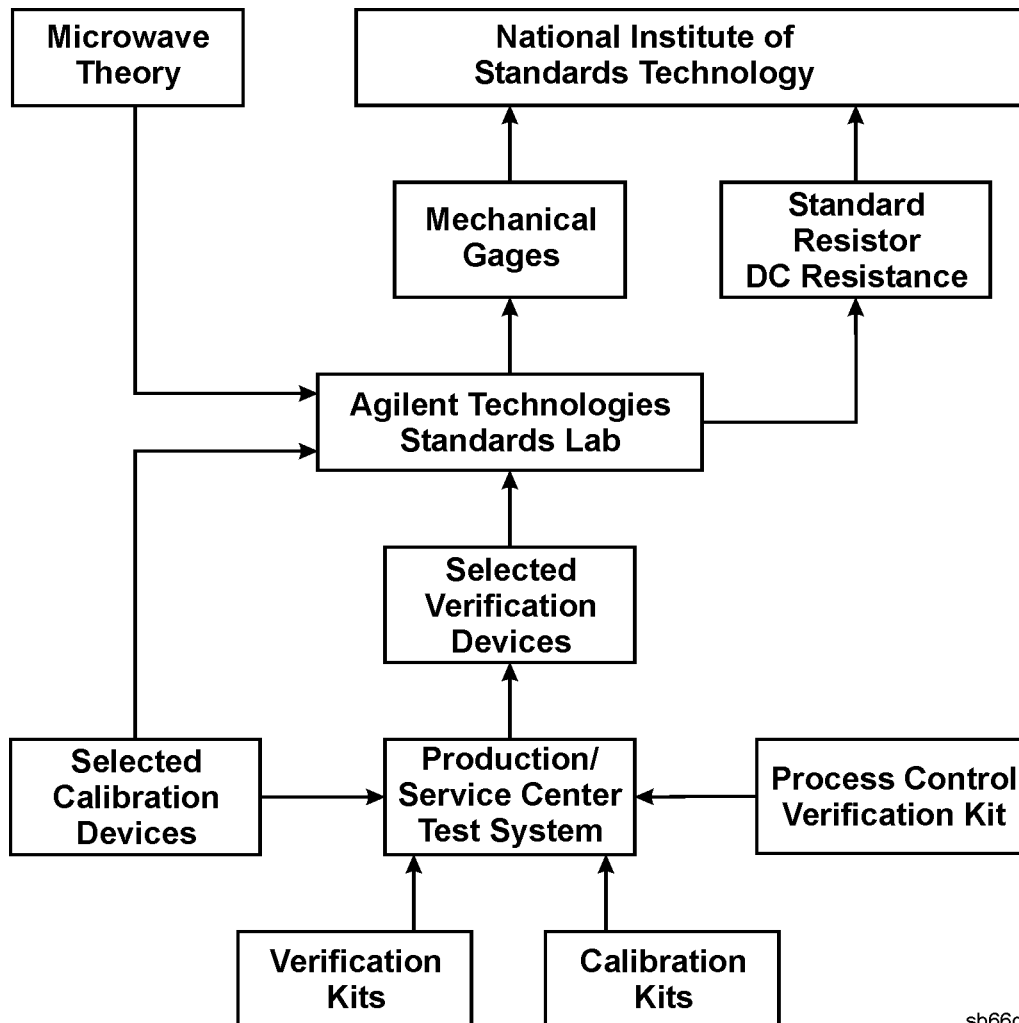
Any measurement result is the vector sum of the actual test device response plus all error terms. The precise effect of each error term depends on its magnitude and phase relationship to the actual test device response. When the phase of an error response is not known, phase is assumed to be worst-case (-180° to $+180^\circ$). Random errors such as noise and connector repeatability are generally combined in a root-sum-of-the-squares (RSS) manner.

Measurement Traceability

To establish a measurement traceability path to a national standard for a network analyzer system, the overall system performance is verified through the measurement of devices that have a traceable path. This is accomplished by measuring the devices in an Agilent verification kit.

The measurement of the devices in the verification kit has a traceable path because the factory system that measured the devices is calibrated and verified by measuring standards that have a traceable path to the National Institute of Standards and Technology (NIST) (see Figure 3-8). This chain of measurements defines how the verification process brings traceability to the network analyzer system.

Figure 3-8 NIST Traceability Path for Calibration and Verification Standard



sb66d

Performing System Verification

The following verification procedure is automated by the analyzer firmware. The process for the verification is:

- connect cables to the analyzer test ports
- perform a calibration or recall a recent calibration
- run the system verification program for the verification devices

Each time through the verification process, you are prompted to make necessary connections and perform or recall a calibration as part of performing the verification. If you select to perform a calibration, you are guided through the calibration procedure. This part of the process can be eliminated if you choose to load an existing recent calibration. If necessary, refer to the analyzer's on-line embedded help for information on storing and recalling calibrations.

For each verification device, the analyzer reads a file from the verification disk and sequentially measures the magnitude and phase for all four S-parameters.

IMPORTANT For system verification to perform correctly, it is **NECESSARY** that the verification devices be measured with their female connectors connected to the analyzer's test ports.

NOTE Although the performance for all S-parameters are measured, the S_{11} and S_{22} phase uncertainties for the attenuators and airlines are less important for verifying system performance. Therefore, the limit lines will not appear on the printout.

Equipment Used in the System Verification Procedure

Equipment Type	3.5 mm	Type-N
Calibration kit	85052B, C, D N4691A E-cal	85054B/D N4690A E-cal
Verification kit	85053B	85055A
Cables	Single cable: 85131C/E Cable pair: 85131D/F	Single cable: 85132C/E (3.5 mm NMD to 7 mm) Cable pair: 85132D/F (3.5 mm NMD to 7 mm)
Adapters	None required.	With single cable: an 85130C adapter and a 7mm to Type-N adapter from the 85054B calibration kit. With cable pair: Two 7mm to Type-N adapters from the 85054B calibration kit.

Cable Substitution

The test port cables specified for the network analyzer system have been characterized for connector repeatability, magnitude and phase stability with flexing, return loss, insertion loss, and aging rate. Since test port cable performance is a significant contributor to the system performance, cables of lower performance will increase the uncertainty of your measurement. Refer to the plots in the cable tests (earlier in this chapter) that show the performance of good cables. It is highly recommended that the test port cables be regularly tested.

If the system verification is performed with a non-Agilent cable, ensure that the cable meets or exceeds the specifications for the test cable specified in the previous table, “[Equipment Used in the System Verification Procedure.](#)” Refer to the cable’s user’s guide for specifications.

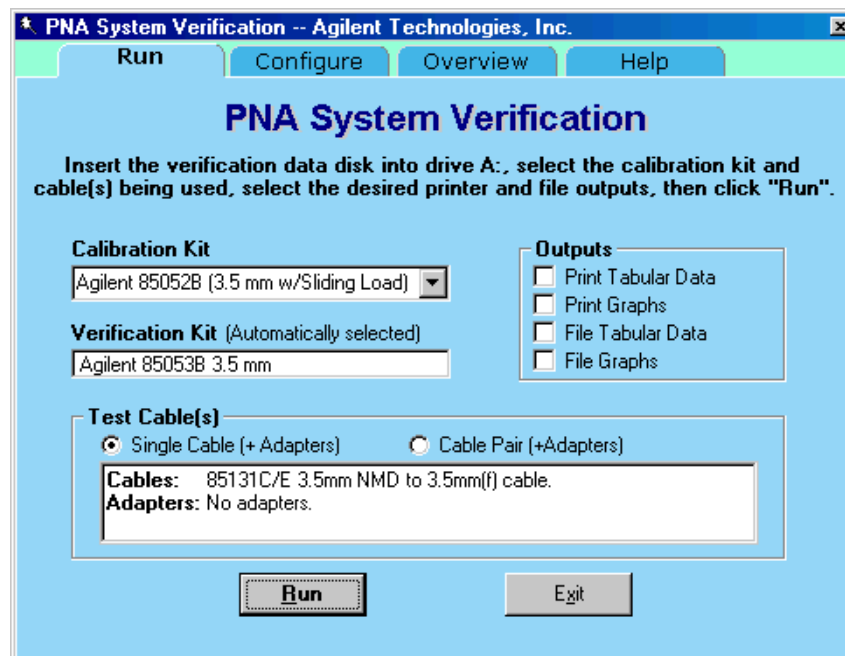
Kit Substitution

Non-Agilent calibration kits and verification kits are not recommended nor supported.

System Verification Procedure

1. If you desire printed test outputs, connect a printer to the analyzer. For the printer, ensure that the correct driver is loaded and the printer is defined as the default printer. Refer to the embedded help in the analyzer for printer setup. Let the analyzer warm up for at least 90 minutes.
2. Insert the verification kit disk into the analyzer disk drive.
3. Press UTILITY **System**, then **Service**, then **System Verification**. The **System Verification** dialog box is displayed; refer to [Figure 3-9](#).

Figure 3-9 System Verification Dialog Box



4. In the **Calibration Kit** box, select the calibration kit or electronic calibration module (ECal) that is being used by clicking on it. The corresponding verification kit to use is selected for you and displayed in the

Verification Kit box. Refer to [Figure 3-9](#).

5. Under **Printer Output**, click one of the following options. Refer to [Figure 3-9](#).
 - **Print Tabular Data:** Prints the verification data in tabular form which includes measured data and uncertainty limits. For an example, refer to [Figure 3-11 on page 3-27](#).
 - **Print Graphs:** Prints the verification data in graphical form. The graphical form includes the measured data trace, factory supplied data trace, and uncertainty limits. For an example, refer to [Figure 3-12 on page 3-28](#).
 - **File Tabular Data:** Writes the tabular data to a text file in the C:\Program Files\Agilent\Network Analyzer\Documents\ directory.
 - **File Graphs:** Saves a screen image in PNG format in the C:\Program Files\Agilent\Network Analyzer\Documents\ directory.

NOTE For printed output, it is assumed that the printer has been tested and the Windows driver is installed for the printer that is being used. The system verification test prints to the printer that has been designated as the default printer. (On the Windows Desktop display, click on **My Computer, Control Panel**, and then **Printers** to verify the printer setup.)

To modify the number of ports to be verified or to change the number of devices to measure, click on the **Configure** tab and make the desired selections.

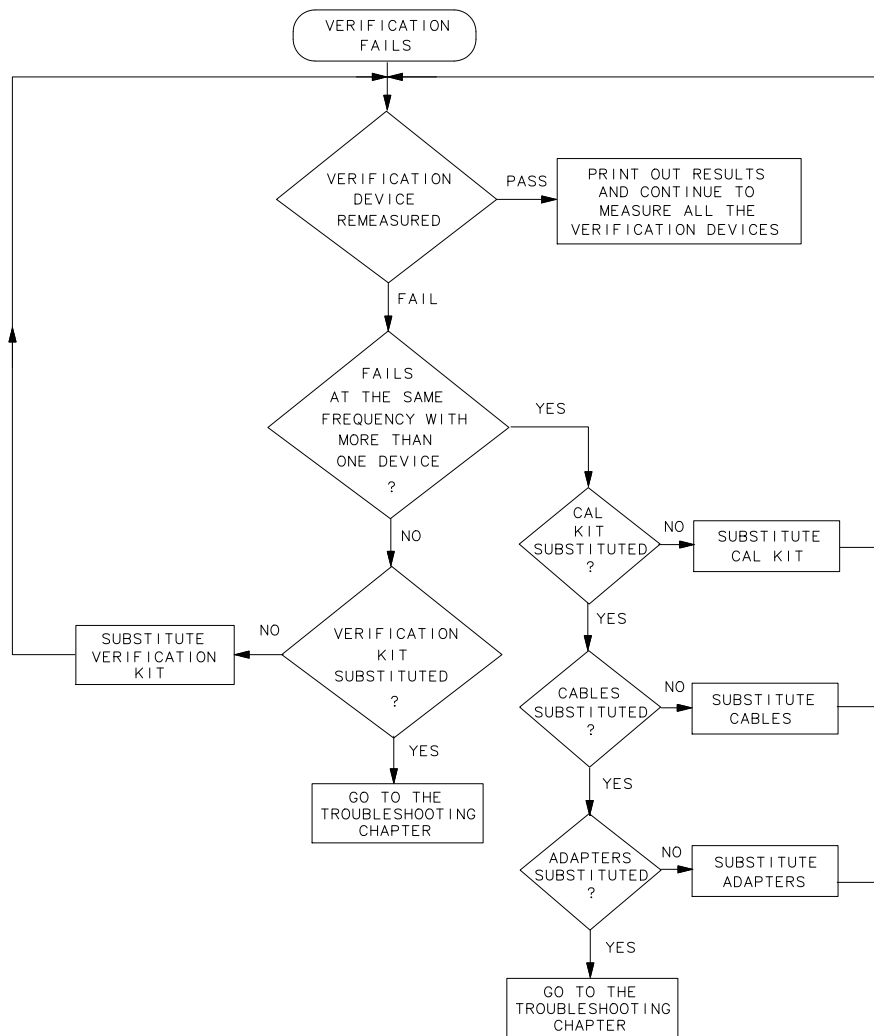
6. Click **Run**.
7. Follow the instructions on the analyzer for performing a full calibration or recalling an existing recent calibration.
8. Follow the instructions on the analyzer for performing the system verification; inserting the verification devices as prompted.

If the System Fails the Verification Test

IMPORTANT Inspect all connections. *Do not* remove the cable from the analyzer test port. This *will invalidate* the calibration that you performed earlier.

1. Disconnect and clean the device that failed the verification test.
2. Reconnect the device making sure that all connections are torqued to the proper specifications.
3. Measure the device again.
4. If the analyzer still fails the test, check the measurement calibration by viewing the error terms as described in [“Accessing Error Terms”](#) on page 8-8.
5. Refer to [Figure 3-10](#) for additional troubleshooting steps.

Figure 3-10 System Verification Failure Flowchart



sb69d

Interpreting the Verification Results

Figure 3-11 shows an example of typical verification results with **Print Tabular Data** selected in the **Printer Output** area of the **System Verification** dialog box.

At the top of the printed output is the name of the device, the serial number of the device, and the date tested.

Each S-parameter measurement result is printed with frequency tested, lower and upper limit lines, the measured data, and the result of the test.

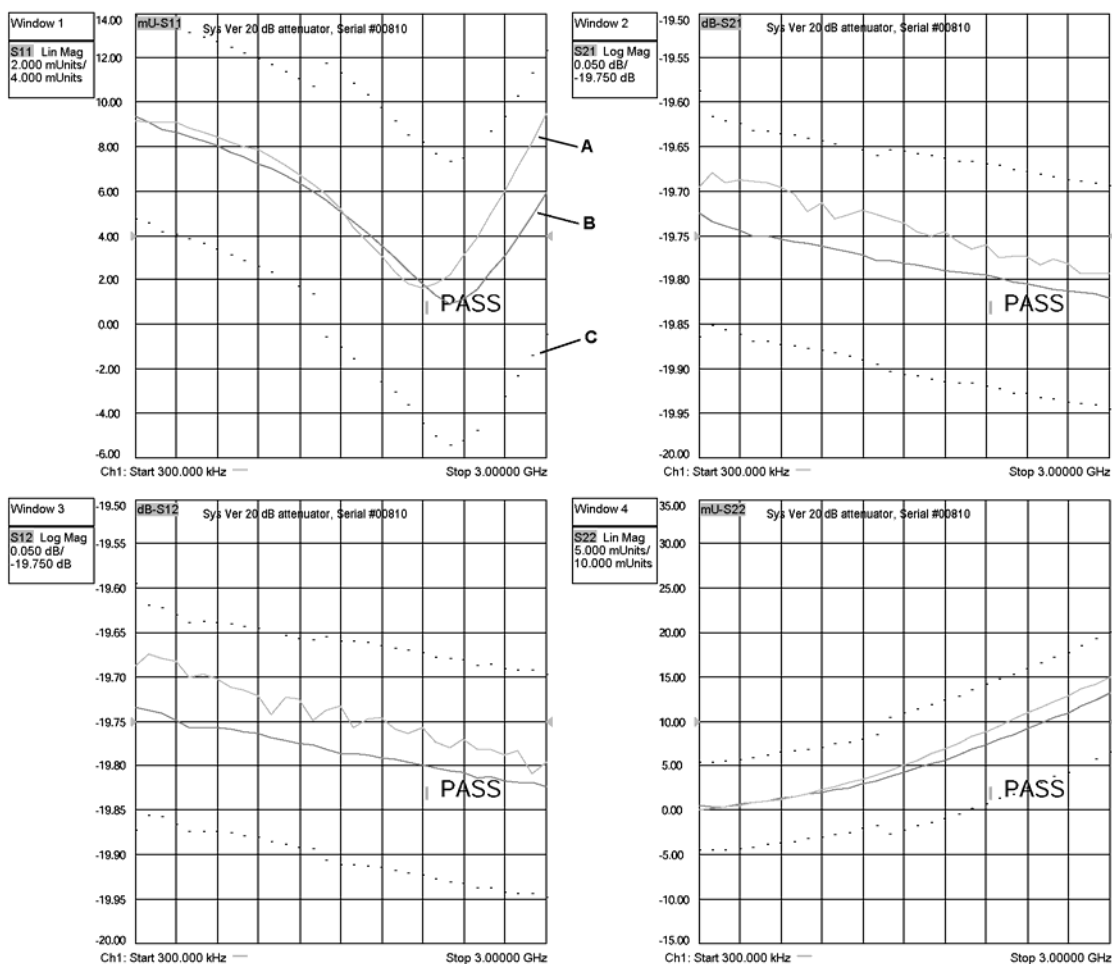
Figure 3-11 Example of Printed Tabular Verification Results

PNA System Verification								
Model: N5230A 225		Ser. Num.: US43390055		Test Time: 12/8/2004 2:08:35 PM				
Device: 20 dB Attenuator, Serial #02743				S11 Results		PASS		
Freq [GHz]	S11 MAGNITUDE (lin)				S11 PHASE (deg)			
	Lower Limit (lin)	Meas'd Data (lin)	Upper Limit (lin)	Total Uncert +/-	Lower Limit (deg)	Meas'd Data (deg)	Upper Limit (deg)	Total Uncert +/-
0.045	0.0067	0.0045	0.0113	0.0090	n/a	177.46	n/a	n/a
0.50	0.0067	0.0046	0.0114	0.0091	n/a	155.77	n/a	n/a
1.00	0.0057	0.0047	0.0125	0.0091	n/a	127.90	n/a	n/a
1.50	0.0043	0.0050	0.0139	0.0091	n/a	99.52	n/a	n/a
2.00	0.0034	0.0055	0.0148	0.0091	n/a	72.43	n/a	n/a
2.50	0.0076	0.0061	0.0208	0.0142	n/a	46.58	n/a	n/a
3.00	0.0068	0.0067	0.0216	0.0142	n/a	21.57	n/a	n/a
3.50	0.0066	0.0075	0.0227	0.0146	n/a	-0.45	n/a	n/a
4.00	0.0060	0.0086	0.0233	0.0146	n/a	-20.94	n/a	n/a
4.50	0.0056	0.0098	0.0237	0.0147	n/a	-39.48	n/a	n/a
5.00	0.0053	0.0109	0.0241	0.0147	n/a	-56.13	n/a	n/a
5.50	0.0051	0.0118	0.0242	0.0147	n/a	-71.75	n/a	n/a
6.00	0.0050	0.0125	0.0244	0.0147	n/a	-86.47	n/a	n/a
6.50	0.0049	0.0131	0.0244	0.0147	n/a	-100.81	n/a	n/a
7.00	0.0057	0.0136	0.0236	0.0147	n/a	-113.94	n/a	n/a
7.50	0.0061	0.0138	0.0232	0.0147	n/a	-125.68	n/a	n/a
8.00	0.0059	0.0138	0.0234	0.0147	n/a	-135.63	n/a	n/a
8.50	0.0110	0.0136	0.0287	0.0198	n/a	-144.53	n/a	n/a
9.00	0.0107	0.0133	0.0290	0.0199	n/a	-152.31	n/a	n/a
9.50	0.0101	0.0130	0.0297	0.0199	n/a	-159.32	n/a	n/a
10.00	0.0092	0.0129	0.0305	0.0199	n/a	-165.12	n/a	n/a
10.50	0.0080	0.0129	0.0317	0.0199	n/a	-169.47	n/a	n/a
11.00	0.0066	0.0130	0.0332	0.0199	n/a	-172.95	n/a	n/a
11.50	0.0051	0.0135	0.0347	0.0199	n/a	-176.46	n/a	n/a
12.00	0.0035	0.0140	0.0364	0.0199	n/a	-179.98	n/a	n/a

Figure 3-12 shows an example of typical verification results with **Print Graphs** selected in the **Printer Output** area of the **System Verification** dialog box. The printed graphical results show the following:

- the name of the device measured
- the serial number of the device
- the parameters measured
- Results of the measurements. Labeled as A in Figure 3-12.
- Data measured at the factory from the verification kit. Labeled as B in Figure 3-12.
- Upper and lower limit points as defined by the total system uncertainty system. Labeled as C in Figure 3-12.

Figure 3-12 Example of Printed Graphical Verification Results



Performance Tests

The performance tests verify the electrical performance of your N5241A/42A microwave PNA. These performance tests are included in the analyzer's firmware with Option 897 and Option 898. Your analyzer is automatically configured for each individual test.

The model numbers of the additional equipment used by these performance tests are specified under "Required Service Test Equipment" on page 2-11.

There are nine tests in the Option 897 or 898 performance test package:

- [Source Power Accuracy Test](#)
- [Source Maximum Power Output Test](#)
- [Source Power Linearity Test](#)
- [Frequency Accuracy Test](#)
- [Trace Noise Test](#)
- [Receiver Compression Test](#)
- [Noise Floor Test](#)
- [Calibration Coefficients Test](#)
- [Dynamic Accuracy Test](#)

Source Power Accuracy Test

Function of the Test: To confirm the accuracy of the source output power of your network analyzer over its full frequency range.

Specification Tested: Test Port Output–Power Level Accuracy

Equipment Used: A power meter, power sensors, and adapters.

Description of the Test:

1. The analyzer's output power level is set to 0 dBm.
2. A power sensor is connected to Port 1.
3. The output power is measured at hundreds of CW frequencies across the analyzer's frequency range and the values compared to the setting of 0 dBm.

If the Analyzer Fails this Test:

- Perform the "Source Adjustment" on page 3-39 and repeat this test.
- If the analyzer still fails this test, troubleshoot the source section of the analyzer and then repeat this test. Refer to "Checking the Source Group" on page 4-30.

Source Maximum Power Output Test

Function of the Test: To confirm the maximum source output power of your network analyzer over its full frequency range.

Specification Tested: Test Port Output–Maximum Levelled Power

Equipment Used: A power meter, power sensors, and adapters.

Description of the Test:

1. A power sensor is connected to Port 1.
2. The analyzer's output is set to hundreds of CW frequencies and, at each frequency, the output power is increased until an "UNLEVELED" error is detected.
3. The power level at this point is measured and compared to the maximum output power specification.

If the Analyzer Fails this Test:

- Go to ["Checking the Signal through the Signal Separation Path" on page 4-35](#) for troubleshooting information to determine the faulty assembly.

Source Power Linearity Test

Function of the Test: To verify that the power level is linear over the analyzer's frequency range and to check the linearity of the automatic leveling control (ALC).

Specification Tested: Power Sweep Range and Power Level Linearity

Equipment Used: A test cable. (And a 20 dB attenuator if the analyzer does not have an internal step attenuator.)

Description of the Test:

1. The Port 2 receiver is used to test Port 1. The receiver linearity is the standard against which the source linearity is checked.
2. A test cable is connected between Port 1 and Port 2 with 20 dB of attenuation in series with the cable. This can be done with an internal step attenuator or an external 20 dB attenuator. This attenuation ensures that the receiver remains in its linear range.
3. The analyzer is set to 25 different points across its frequency range.
4. At each frequency point, the output power level on Port 2 is set to 0.000 dBm and the power is measured to establish a reference, $P_{\text{reference}}$.
5. The source setting is then stepped from -15 to +10 dBm in 1 dB steps and the power is measured, P_{measured} , at each setting.
6. The non-linearity in dB at each frequency point is calculated as:
 $(P_{\text{measured}} - P_{\text{reference}}) - (\text{source setting})$

If the Analyzer Fails this Test:

- Perform the ["Source Adjustment" on page 3-39](#) and repeat this test.
- If the analyzer still fails this test, replace the A21 HMA26.5 and then repeat this test. Refer to ["Removing and Replacing the A21 HMA26.5" on page 7-34](#).

Frequency Accuracy Test

Function of the Test: To verify the frequency accuracy and range of the analyzer's source output.

Specification Tested: Test Port Output–CW Accuracy

Equipment Used: A frequency counter, a test cable, and adapters.

Description of the Test:

1. Port 1 is connected to a frequency counter.
2. A series of frequencies across the band are checked.

If the Analyzer Fails this Test:

- Verify the accuracy of the 10 MHz OCXO by using a frequency counter to measure the rear-panel 10 MHz REF OUT. If the 10 MHz reference is off by more than 10 Hz, perform the [“10 MHz Frequency Reference Adjustment”](#) on page 3-37 and then repeat this test.

Trace Noise Test

Function of the Test: To measure the stability of a signal in the internal source and receiver system of your analyzer.

Specification Tested: Test Port Input–Trace Noise Magnitude and Trace Noise Phase

Equipment Used: A test cable.

Description of the Test:

1. Port 1 and Port 2 are connected with a test cable.
2. The analyzer is set to a series of CW frequencies across its frequency range.
3. Magnitude and phase are measured at each frequency at both 1 kHz and 10 kHz IF bandwidths, in both directions.
4. Measurements are made at a nominal power level of 0 dBm and 201 points per sweep.

If the Analyzer Fails this Test:

- Repeat this test. It is unlikely for the analyzer to fail this test without a complete failure of the network analyzer system.
- If the analyzer still fails this test, replace the A12 SPAM board and then repeat this test. Refer to [“Removing and Replacing the A4–A13 Boards \(For analyzers with serial numbers prefixed MY/SG/US5150 and below.\)”](#) on page 7-14.

Receiver Compression Test

Function of the Test: To measure the compression at the analyzer's specified maximum power level for the receivers.

Specification Tested: Test Port Input–Maximum Test Port Input Level

Equipment Used: The compression test set (Z5623A Option K01), a power meter, power sensors, two test cables, and a calibration kit. (And 10-dB and 20-dB pads if the analyzer does not have an internal step attenuator.)

Description of the Test:

1. All measurements are made with a 1 kHz IF bandwidth and 201 points per sweep.
2. The measurements are made separately on each port.
3. The analyzer is set to various CW frequencies across the range of the analyzer.
4. A power sensor is connected to the "signal source point" to be used to test the port. The "signal source point" may be either the port connector itself, when a short is used, or the end of the test cable, when the compression test set is used to source the test signal.
5. The analyzer source output level is adjusted to create the maximum power level specified for the receiver.
6. The power sensor is disconnected and the "signal source point" is connected to the port to be tested.
7. The absolute log magnitude value (dBm) for the reference receiver is read.
8. The log magnitude ratioed measurement using the receiver under test is read: (P_a).
9. The source output level is adjusted to decrease the output by 15 dB.
10. The log magnitude ratioed measurement using the receiver under test is read: (P_b).
11. Attenuation of 20 dB is introduced between the source and receiver. This can be done with an internal step attenuator, an external 10 dB pad (if a short is being used to reflect the signal back into the port), or an external 20 dB pad (if the signal source is the compression test set).
12. The log magnitude ratioed measurement using the receiver under test is read: (P_c).
13. The source output level is adjusted to produce a reading of Pref (within ± 0.03 dBm) for the reference receiver on the source port.
14. The log magnitude ratioed measurement using the receiver under test is read: (P_d).
15. The compression in dB = $(P_a - P_b) - (P_d - P_c)$.

If the Analyzer Fails this Test:

- Repeat this test. There are no adjustments that can be made.
- If the analyzer still fails this test, replace the A23 mixer brick for a Port 1 or Port 2 failure or the A24 mixer brick for a Port 3 or Port 4 failure, then repeat this test. Refer to ["Removing and Replacing the A23 and A24 Mixer Bricks"](#) on page 7-38.

Noise Floor Test

Function of the Test: To measure the absolute power level of the noise floor for the analyzer's receivers.

Specification Tested: Test Port Input–Test Port Noise Floor

Equipment Used: A power meter, power sensor, a calibration kit, and a test cable.

Description of the Test:

1. The analyzer is set to various CW frequencies across its frequency range at an IF bandwidth of 1 kHz and 801 points per sweep.
2. A test cable is connected to the driving port for the measurement and a power sensor is connected to the other end of the cable.
3. The power level at the end of the cable is set to -5.00 dBm.
4. The power sensor is disconnected and the cable is connected to the port to be tested.
5. The absolute power level in dBm (log magnitude) is read: (P_{log}).
6. The test cable is removed and loads are connected to both ports.
7. The analyzer's trace is set to represent the absolute power level (linear magnitude) for the receiver under test and a sweep is taken.
8. The mean of the points on the trace, in watts, is read: (P_{lin}).
9. Average power in dBm is calculated: $P_{dBm} = 10 * \text{Log}_{10}(P_{lin} * 1000)$.
10. Corrected noise floor in dBm for a 10 Hz IF bandwidth = $P_{dBm} - 19.96 \text{ dB} - (5.00 - P_{log})$.

If the Analyzer Fails this Test:

- If the analyzer fails this test, replace the A23 mixer brick for a Port 1 or Port 2 failure or the A24 mixer brick for a Port 3 or Port 4 failure, then repeat this test. Refer to [“Removing and Replacing the A23 and A24 Mixer Bricks”](#) on page 7-38.
- If the analyzer still fails this test, replace the A12 SPAM board and then repeat this test. Refer to [“Removing and Replacing the A4–A13 Boards \(For analyzers with serial numbers prefixed MY/SG/US5150 and below.\)”](#) on page 7-14.

Calibration Coefficients Test

Function of the Test: To verify the uncorrected calibration coefficients of your analyzer. The calibration coefficients are measured in forward and reverse direction. Refer to [Appendix 8, "General Purpose Maintenance Procedures"](#) for error term information relating to the calibration coefficients measured.

Specification Tested: Uncorrected System Performance

Equipment Used: A calibration kit and a test cable.

Description of the Test:

1. A series of 2-port calibrations are performed. Two full SOLT 2-port calibrations are performed on each port. Isolation is turned off during each 2-port calibration.
2. A test cable is attached to the first port, and a calibration is performed at the end of the cable and at the second port. The cable is moved to the second port and another calibration is performed. Using two calibrations helps to eliminate the unknown characteristics of the through cable.
3. Each calibration produces 12 error terms.
4. The error terms are used to determine the following characteristics: directivity, source match, load match, reflection tracking, and transmission tracking.

If the Analyzer Fails this Test:

- If the analyzer fails tracking error terms only, perform ["Receiver Adjustment" on page 3-40](#) and repeat this test.
- Failure of any other error terms indicate a hardware failure. Refer to the appropriate error term discussion in [Chapter 8, "General Purpose Maintenance Procedures,"](#) for a typical cause of failure. Refer to [Chapter 7, "Repair and Replacement Procedures,"](#) for instructions on replacing the suspected faulty component or assembly.

Dynamic Accuracy Test

Function of the Test: To measure the relative power linearity of the analyzer's receivers.

Specification Tested: Test Port Input–Dynamic Accuracy

Equipment Used: The dynamic accuracy test set (Z5623A Option H01), a power meter (E4418B or E4419B), power sensors, and two test cables.

Description of the Test:

1. The analyzer's test ports are tested separately at a specific CW frequency and a reference power level of -20 dBm.
2. The analyzer's driving port is connected to the dynamic accuracy test set's source port and the analyzer's receiving port is connected to the dynamic accuracy test set's receiver port. A power sensor is connected to the dynamic accuracy test set's power meter port.
3. The dynamic accuracy test set is used to input a signal from the driving port on the analyzer. The input signal is routed through step attenuators to both the analyzer and a power sensor.
4. The analyzer source and the dynamic accuracy test set create power levels that are "deltas" from the reference power level of -20 dBm. Each delta is measured two ways: by the power sensor and by the analyzer's receiver under test.
5. The analyzer's power level into the port under test is set to the -20 dBm reference level.
6. The power level is measured with the power sensor: (P_{mr}).
7. The power level is measured using the analyzer's receiver under test: (P_{pr}).
8. The power level into the analyzer's port under test is stepped, in 5 dB steps, over the range of 0 to -120 dBm. Each power level represents a "delta" from the reference power level.
9. At each step, the power level is measured using the power meter: (P_{md}).
10. At each step, the power level is measured using the receiver under test: (P_{pd}).
11. The power error in dB = $(P_{mr}-P_{md})-(P_{pr}-P_{pd})$.

If the Analyzer Fails this Test:

- If the analyzer fails this test, replace the A23 mixer brick for a Port 1 or Port 2 failure or the A24 mixer brick for a Port 3 or Port 4 failure, then repeat this test. Refer to ["Removing and Replacing the A23 and A24 Mixer Bricks"](#) on page 7-38.
- If the analyzer still fails this test, replace the A12 SPAM board and repeat this test. Refer to ["Removing and Replacing the A4–A13 Boards \(For analyzers with serial numbers prefixed MY/SG/US5150 and below.\)"](#) on page 7-14.

Adjustments

These adjustments are firmware-driven tests that are used to fine-tune your analyzer.

If multiple adjustments are to be performed, perform them in the order listed.

- [“10 MHz Frequency Reference Adjustment” on page 3-37](#)
- [“IF Gain Adjustment” on page 3-38](#)
- [“Synthesizer Bandwidth Adjustment” on page 3-38](#)
- [“Source Adjustment” on page 3-39](#)
- [“Receiver Adjustment” on page 3-40](#)
- [“Receiver Characterization” on page 3-43](#)
- [“EE Default Adjustment” on page 3-43](#)
- [“Noise Figure Adjustment \(Available Only with Option 029 Installed\)” on page 3-44](#)

These adjustments are described on the following pages.

10 MHz Frequency Reference Adjustment

The 10 MHz frequency adjustment is used to adjust the frequency accuracy of the network analyzer’s 10 MHz frequency reference on the A10 frequency reference board assembly.

Equipment Used for the 10 MHz Frequency Reference Adjustment

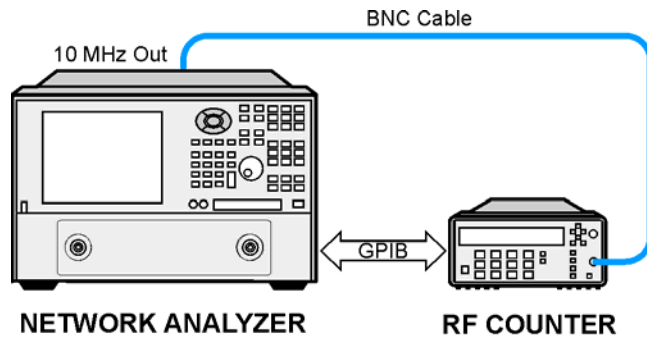
Equipment Type	Model or Part Number	Alternate Model or Part Number
Cable, BNC, 50 Ω, 24 inch	8120-1839	Any
Frequency counter	53151A, Option 001	Any that will measure a signal at 10 MHz.

Procedure

NOTE This adjustment typically adjusts to within ± 0.01 ppm.

1. Connect the equipment as shown in [Figure 3-13](#). Connect a GPIB cable between the network analyzer and the frequency counter.

Figure 3-13 Equipment Setup for the 10 MHz Frequency Reference Adjustment



st511a

2. Press UTILITY **System**, then **Service**, then **Adjustments**, then click **10 MHz Freq Adjustment**.
3. Ensure the GPIB settings are correct.
4. Follow the instructions and prompts as they are displayed.

IF Gain Adjustment

The IF gain adjustment is used to adjust the IF gain of the network analyzer.

Procedure

1. Press UTILITY **System**, then **Service**, then **Adjustments**, then click **IF Gain Adjustment**.
2. Follow the instructions and prompts as they are displayed.

Synthesizer Bandwidth Adjustment

This adjusts the bandwidth of the 13.5 GHz synthesizers.

Procedure

1. Press UTILITY **System**, then **Service**, then **Adjustments**, then click **Synthesizer Bandwidth Adj.**
2. Follow the instructions and prompts as they are displayed.

Source Adjustment

The source calibration is used to adjust your network analyzer for a flat source power across its full frequency range. There are differences between each test port; therefore, an adjustment is required for each port.

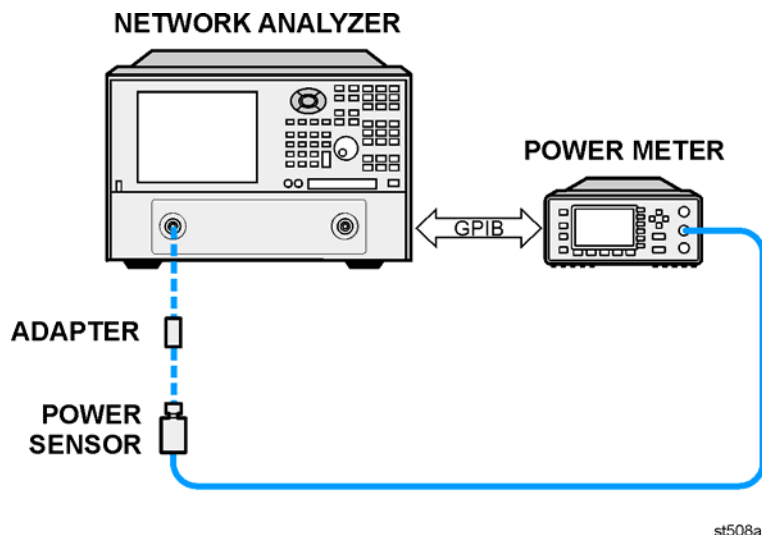
Equipment Used for the Source Adjustment

Equipment Type	Model or Part Number	Alternate Model or Part Number
Power meter	E4418B/E4419B	E4418A/E4419A
Power sensor, 3.5 mm	E4413A	8485A
Adapter, 3.5 mm (f) to 3.5 mm (f)	83059B	85052-60012

Procedure

1. Connect the equipment as shown in [Figure 3-14](#). Connect a GPIB cable between the network analyzer and the power meter.

Figure 3-14 Equipment Setup for the Source Adjustment



2. Press **UTILITY** **System**, then **Service**, then **Adjustments**, then click **Source Adjustment**.
3. Ensure the GPIB settings are correct.
4. Follow the instructions and prompts as they are displayed.

Receiver Adjustment

The receiver calibration is used to adjust the network analyzer receivers for a flat response across its full frequency range:

1. A power meter/sensor is connected to Port 1, as shown in [Figure 3-15](#), to establish a reference for flatness.
2. A cable is inserted between the power sensor and the test port, as shown in [Figure 3-16](#), to establish a reference for the cable.
3. The same cable is connected between test port 1 and test port 2, as shown in [Figure 3-17](#), and a signal from Port 1 is used to adjust the “B” receiver at Port 2.

The adjustment is repeated using a signal from Port 2 to adjust the “A” receiver at Port 1.

Data obtained during this adjustment are stored in the mxcalfile_pxx files on the hard disk drive. The data are used in subsequent measurements.

If the hard disk drive is replaced, these mxcalfile_pxx files will be lost. Therefore, they should be backed up (saved on a floppy disk) so that they can be restored. If using multiple disk drives (e.g. classified and general usage), then these files must be replaced on each individual disk drive.

These files can be recreated by performing another receiver calibration adjustment.

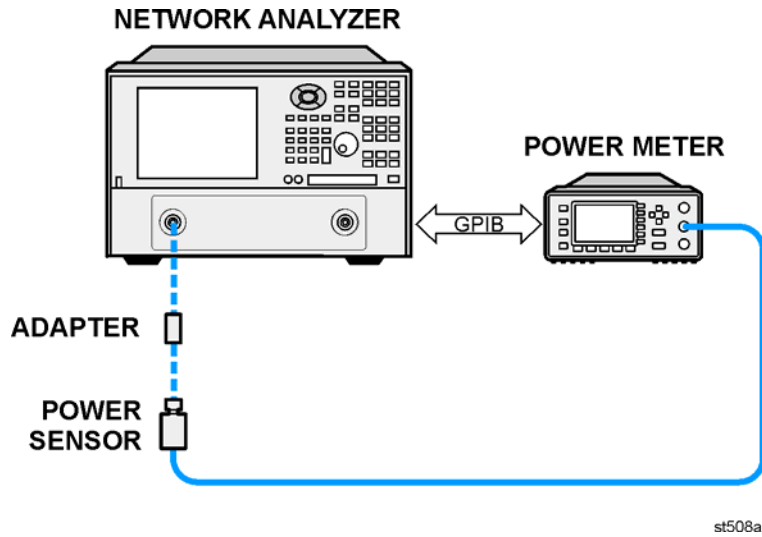
Equipment Used for the Receiver Adjustment

Equipment Type	Model or Part Number	Alternate Model Part Number
Power meter	E4418B/E4419B	E4418A/E4419A
Power sensor, 3.5 mm	E4413A	8485A
Adapter, 3.5 mm (f) to 3.5 mm (f)	83059B	85052-60012
RF Cable, 3.5 mm (f) to 3.5 mm (f)	85131C	85131E

Procedure

1. Connect the equipment as shown in [Figure 3-15](#). Connect a GPIB cable between the network analyzer and the power meter.

Figure 3-15 Equipment Setup 1 for the Receiver Adjustment



2. Press UTILITY **System**, then **Service**, then **Adjustments**, then click **Receiver Adjustment**.
3. Ensure the GPIB settings are correct.
4. Follow the instructions and prompts as they are displayed.

Figure 3-16 Equipment Setup 2 for the Receiver Adjustment

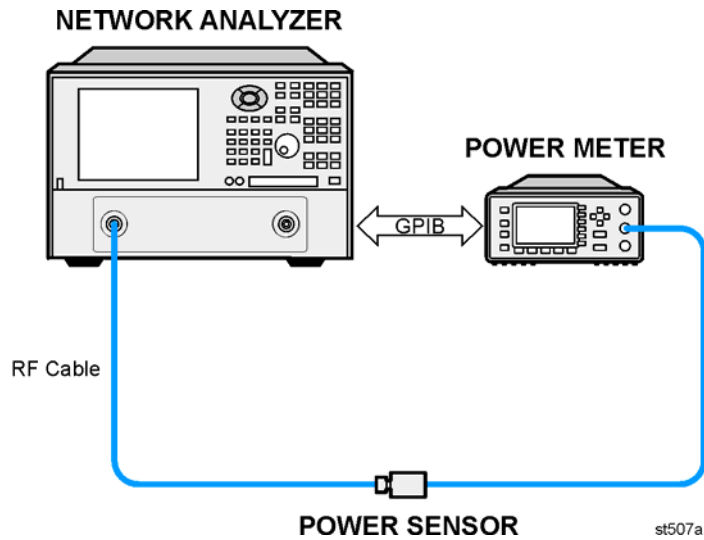
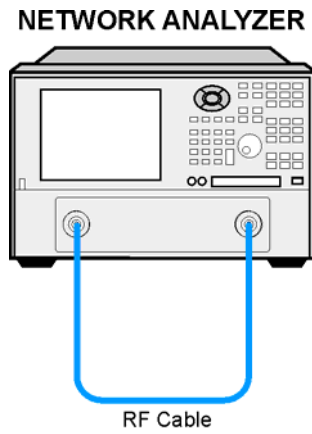


Figure 3-17 **Equipment Setup 3 for the Receiver Adjustment**



st509a

Receiver Characterization

This characterizes the receivers in your analyzer.

Procedure

1. Press UTILITY **System**, then **Service**, then **Adjustments**, then click **Receiver Characterization**.
2. Follow the instructions and prompts as they are displayed.

EE Default Adjustment

This sets the EEPROM data to their default values.

Procedure

1. Press UTILITY **System**, then **Service**, then **Adjustments**, then click **EE Default Adjustment**.
2. On the dialog box, select **Initialize** rather than **Adjust/Verify** because an adjustment is typically unnecessary.
3. Follow the instructions and prompts as they are displayed.

Noise Figure Adjustment (Available Only with Option 029 Installed)

The noise figure adjustment should be performed after replacing any component in the noise figure circuitry, or if the PNA fails the noise IF gain portion of the Op check. The noise figure adjustment consists of the following three sections:

- Noise Compression Adjustment: sets the warning level for overpower conditions at the noise receiver.
- IF Gain Cal Adjustment: sets IF Gain flatness for the noise receiver.
- Noise Correction Adjustment: overwrites the factory noise receiver calibration.

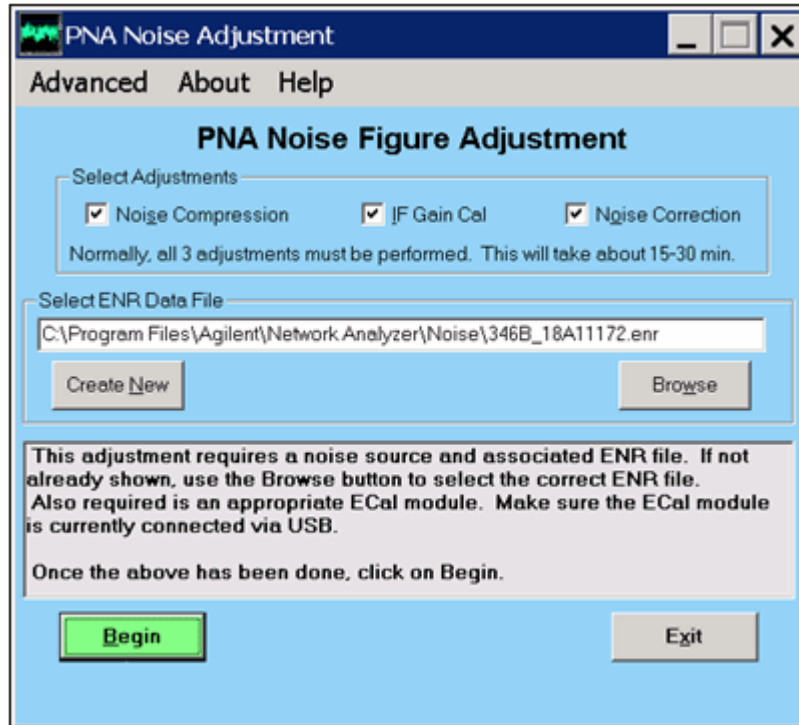
Equipment Used for the Noise Figure Adjustment

Equipment Type	Model or Part Number
Noise source	346A/B/C
Adapter, 3.5 mm, -f- to -f-	83059B
RF Cable, 3.5 mm -f- to -f-	85131C
ECal module, 3.5 mm, -m- to -f-	N4691B-M0F

Procedure

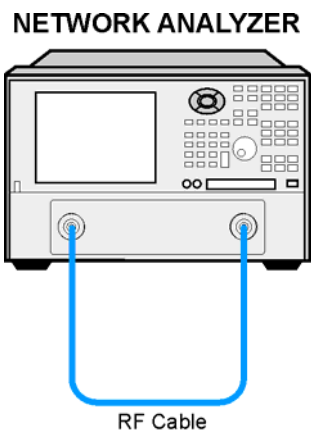
1. Press UTILITY **System**, then **Service**, then **Adjustments**, then click **Noise Adjustment**.
2. On the PNA Noise Adjustment dialog box (see [Figure 3-18](#)), leave all three adjustments selected in the "Select Adjustments" box. Verify the directory path displayed in the "Select ENR Data File" box contains the ENR file for the noise source you are using. If not the correct ENR file, click **Browse** to navigate to the correct file. If the proper file does not already exist, click **Create New** to enter data for the noise source you are using. The PNA will automatically remember and use the last file selected. These files should normally reside in the C:\Program Files\Agilent\Network Analyzer\Noise directory, but can also exist elsewhere.

Figure 3-18 PNA Noise Adjustment Dialog Box



3. Click Begin.
4. As shown in [Figure 3-19](#), connect an RF cable between the network analyzer test ports 1 and 2.

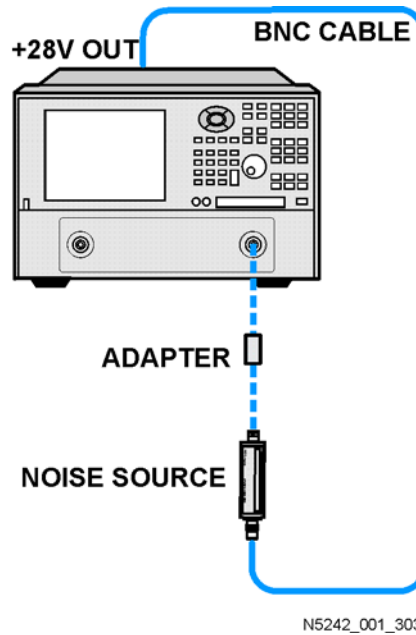
Figure 3-19 Equipment Setup 1 for the Receiver Adjustment



st509a

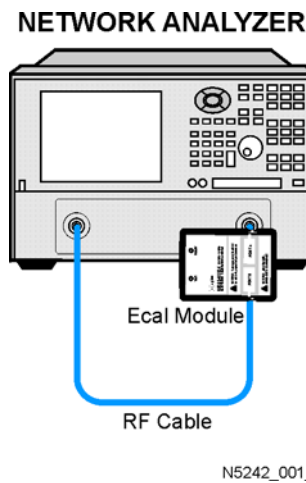
5. When prompted, connect the noise source to port 2, either directly or with a short, low-loss adapter. See [Figure 3-20](#)

Figure 3-20 Equipment Setup 2 for the Receiver Adjustment



1. When prompted, reconnect an RF cable between the network analyzer test ports 1 and 2.
2. When prompted, disconnect the cable at port 2 and insert the ECal module between port 2 and the free end of the cable. Connect the ECal module directly to port 2 without using any adapters if possible. See [Figure 3-21](#)

Figure 3-21 Equipment Setup 3 for the Receiver Adjustment



The entire procedure takes about 15 to 30 minutes.

4 Troubleshooting

Information in This Chapter

The information in this chapter helps you:

- Identify the portion of the analyzer at fault.
- Locate the specific troubleshooting procedure to identify the assembly or peripheral at fault.

The sections in this chapter are arranged in a logical troubleshooting order. The following table lists the sections and a brief summary of what to look for in that section.

Chapter Four at-a-Glance

Section Title	Summary of Content	Start Page
'Getting Started with Troubleshooting'	A starting point for troubleshooting.	Page 4-4
'Power Up Troubleshooting'	Power-up problems: <ul style="list-style-type: none"> • Power supply problems • LCD problems • Bootup for the network analyzer interface 	Page 4-6
'Front Panel Troubleshooting'	Problems occurring after the network analyzer interface is loaded: <ul style="list-style-type: none"> • Does the display color appear correct? • Do the front panel keys function properly? • Does the front panel USB connector function properly? 	Page 4-13
'Rear Panel Troubleshooting'	Problems associated with the rear panel interconnects. <i>The data found at these rear panel interconnects can be used to troubleshoot the CPU board.</i>	Page 4-17
'Measurement System Troubleshooting'	Problems with the measurement portion of the analyzer. <ul style="list-style-type: none"> • Checking the A, B, R1, and R2 signals. • Checking the source group. • Checking the signal separation group. • Checking the receiver group. 	Page 4-23
Instrument Block Diagrams	Block diagrams for the analyzer including all options.	Page 4-42

Conventions Used for Hardkeys, Softkeys, and Menu Items

The following conventions are used in this document:

Hardkey

This represents a “hardkey”, a key that is physically located on the instrument.

Softkey

This represents a “softkey”, a key whose label is determined by the instrument firmware.

Menu Item

This represents an item in a drop-down or pop-up menu.

Operating the Analyzer With Covers Removed

CAUTION Do not operate the analyzer with the outer cover removed for more than 30 minutes, as this could cause the analyzer to overheat which could result in costly damage.

Protect Against Electrostatic Discharge (ESD)

This is important. If not properly protected against, electrostatic discharge can seriously damage your analyzer, resulting in costly repair.

CAUTION To reduce the chance of electrostatic discharge, follow all of the recommendations outlined in “[Electrostatic Discharge Protection](#)” on page 1-6, for all of the procedures in this chapter.

Assembly Replacement Sequence

After identifying the problem requiring an assembly to be replaced, follow these steps:

- Step 1.** Order a replacement assembly. Refer to [Chapter 6, “Replaceable Parts.”](#)
- Step 2.** Replace the faulty assembly and determine what adjustments are necessary. Refer to [Chapter 7, “Repair and Replacement Procedures.”](#)
- Step 3.** Perform the necessary adjustments. Refer to [Chapter 3, “Tests and Adjustments.”](#)
- Step 4.** Perform the necessary performance tests. Refer to [Chapter 3, “Tests and Adjustments.”](#)

Getting Started with Troubleshooting

Where you begin troubleshooting depends upon the symptoms of the failure. Start by checking the basics as outlined in the following section. Also review the flowchart in [Figure 4-1 on page 4-5](#). You should then be able to determine where in the troubleshooting procedure to begin, to locate the failed assembly.

Check the Basics

A problem can often be solved by repeating the procedure you were following when the problem occurred. Before calling Agilent Technologies or returning the instrument for service, please perform the following checks:

1. Is there power at the mains receptacle? If not, correct this situation and proceed.
2. Is the instrument turned on? Check to see if the front panel line switch glows. This indicates the power supply is on. If the front panel line switch is on but the power supply does not appear to be on, go to [“Power Up Troubleshooting” on page 4-6](#).
3. Is the Windows® operating system running? If not, refer to [“Operating System Recovery” in Chapter 8](#) for instructions.
4. If other equipment, cables, and connectors are being used with the instrument, make sure they are clean, connected properly and operating correctly.
5. Review the procedure for the measurement being performed when the problem appeared. Are all the settings correct? If not, correct them.

If the instrument is not functioning as expected, return the unit to a known state by pressing the UTILITY Preset key.

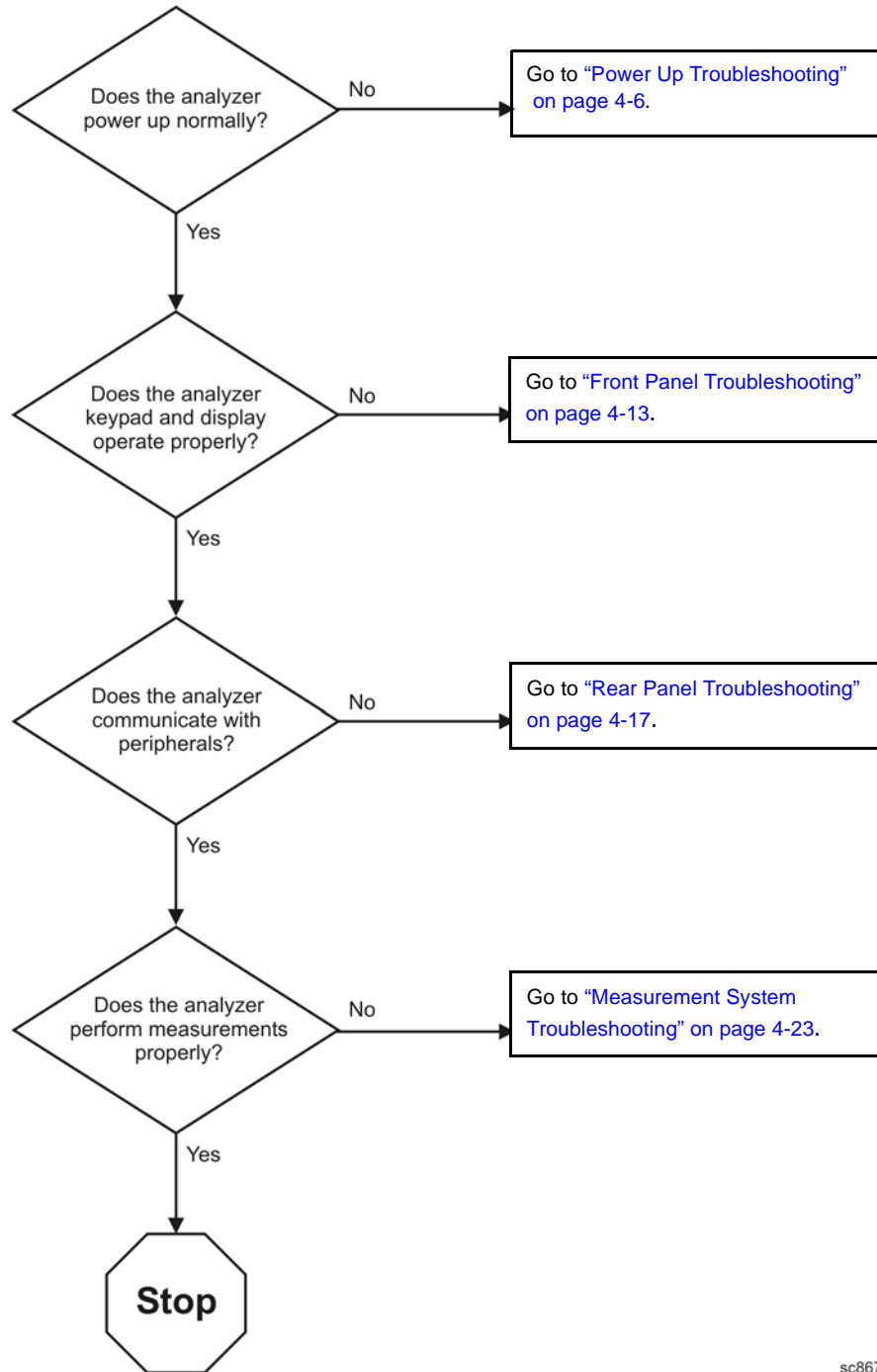
6. Is the measurement being performed, and the results that are expected, within the specifications and capabilities of the instrument? Refer to the embedded help in the analyzer for instrument specifications.
7. If the problem is thought to be due to firmware, check to see if the instrument has the latest firmware before starting the troubleshooting procedure. Refer to [“Firmware Upgrades” in Chapter 8](#) for instructions.
8. If the necessary test equipment is available, perform the operator’s check and system verification in [Chapter 3, “Tests and Adjustments.”](#)

Windows® is a U.S. registered trademark of Microsoft Corporation.

Troubleshooting Organization

Follow the flowgraph in [Figure 4-1](#) to help direct you to the correct section for troubleshooting the analyzer.

Figure 4-1 Troubleshooting Organization Flowchart



sc867b

Power Up Troubleshooting

WARNING Immediately unplug the instrument from the ac power line if the unit shows any of the following symptoms:

- **Smoke, arcing, or unusual noise from inside the analyzer.**
 - **A circuit breaker or fuse on the main ac power line opens.**
-

Check your network analyzer for evidence that it is powering up correctly. Perform the following steps and make sure that the analyzer is displaying correct behavior as noted in the following steps.

Step 1. Disconnect all peripherals and plug in the network analyzer. Before the analyzer is powered on, the line switch should glow yellow and no other lights should be on.

Step 2. Turn on the network analyzer.

- The line switch should glow green.
- The fans should be audible.
- The display should flash and then show the hardware boot-up sequence. This process checks the RAM and communication with the hard disk drive. These checks return an error message if a problem is detected.
- The Windows operating system should start.
- The network analyzer measurement interface should open with an S_{11} measurement displayed.

Step 3. If the analyzer powers up correctly, continue troubleshooting with [“Front Panel Troubleshooting” on page 4-13](#).

Step 4. If the analyzer does not power up correctly, follow these troubleshooting steps:

- If the line switch does not glow, go to [“Power Supply Check” on page 4-7](#).
- If you cannot hear the fans operating, go to [“If the Fans Are Not Operating” on page 4-11](#).
- If the line switch glows green and the fans are operating (audible), but the display remains dark, go to [“Troubleshooting LCD Display Problems” on page 4-12](#).
- If the instrument appears to abort the network analyzer measurement interface process, contact Agilent. Refer to [“Contacting Agilent” on page 2-14](#).

Power Supply Check

NOTE There are no fuses to replace within the power supply. If you determine that the power supply is the failed assembly, replace the power supply.

A catastrophic failure in the power supply can be determined by observing the line switch and the power supply LED indicators:

1. Ensure that the instrument is plugged in with the power switch in the standby position (power not switched on). Verify that the line switch displays a yellow light. A line switch that displays a yellow light indicates that the power supply standby line is active and functional)
2. Turn on the instrument power and verify that the line switch now displays a green light. When the line switch displays a green light, it is an indication that the power supply is active and does not sense an over-current condition.
3. You can determine which power supplies are functioning by viewing the LED indicators on the A15 midplane board. Refer to [Figure 4-2](#).

To view the LED indicators, it is necessary to remove the instrument's outer and inner covers. Refer to ["Removing the Covers" on page 7-6](#) for removal procedures. To determine the location of the A15 midplane board, refer to ["Top Assemblies and Cables, All Options" on page 6-14](#).

CAUTION Do not operate the analyzer with the outer cover removed for more than 30 minutes, as this could cause the analyzer to overheat which could result in costly damage.

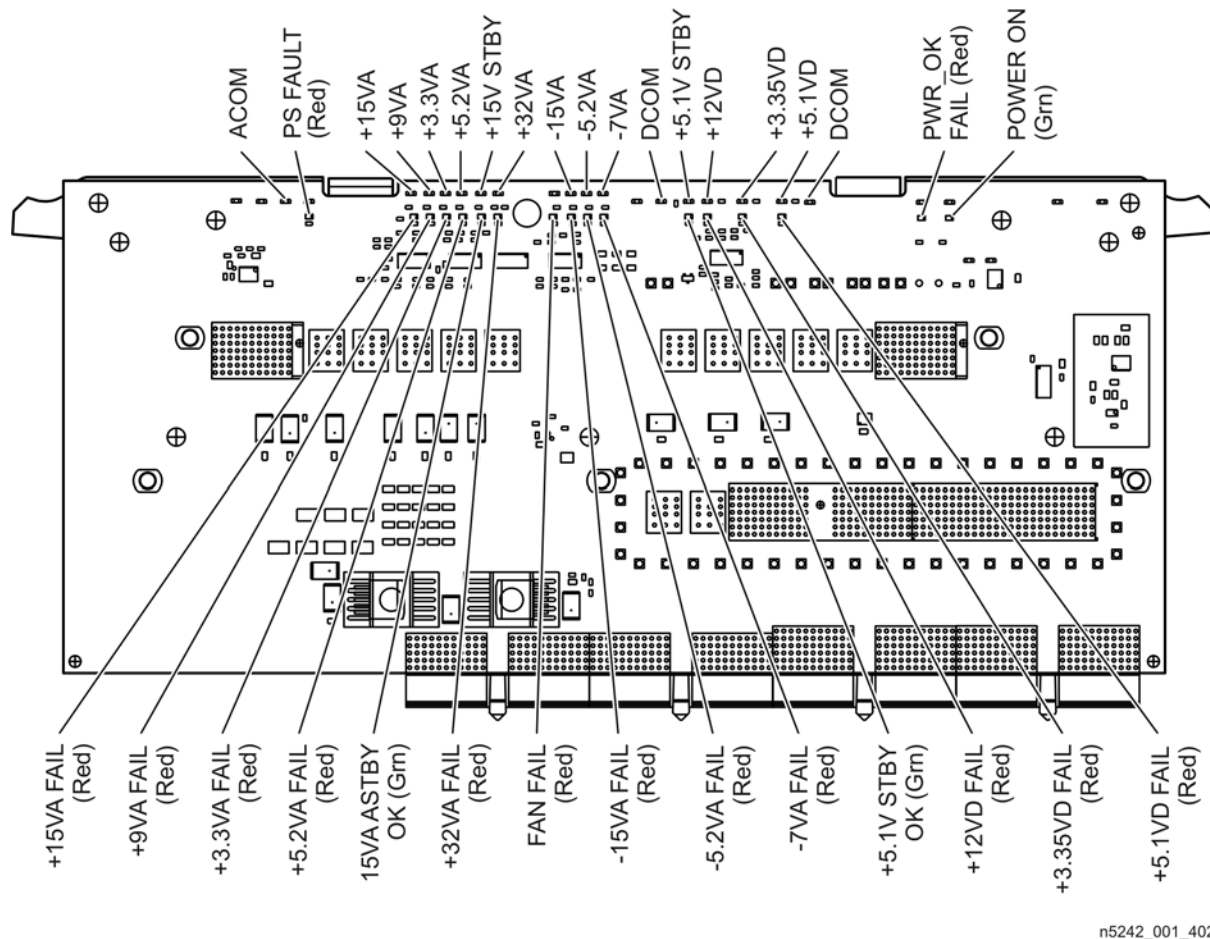
4. If any power supply voltage is missing, it is likely that the problem is a defective A16 power supply, the A15 midplane board, or another assembly that is loading down the A16 power supply. Continue with ["If Any Supply Voltage Is Missing" on page 4-9](#) to determine the cause of the problem.
5. If the line switch is lit correctly, and all the power supply voltages appear to be present, as indicated by the LEDs as shown in [Figure 4-2](#), the power supply has not suffered a catastrophic failure. However, the power supply could still be at fault. Continue at ["Measure the Individual Supply Voltages"](#) to verify that the actual supply voltages are correct.

Measure the Individual Supply Voltages

Measure the power supply voltages using a digital multi-meter. Use the point labeled ACOM as ground reference for analog supplies and the point marked DCOM as ground reference for digital supplies.

Refer to [Figure 4-2](#) for the power supply measurement points on the A15 midplane board. Refer to [Table 4-1 on page 4-9](#) for the correct voltages.

Figure 4-2 A15 Midplane Board Power Supply LED Indicators and Measurement Points



n5242_001_402

WARNING The instrument contains potentially hazardous voltages. Refer to the safety symbols provided on the instrument and in [“General Safety Considerations” on page 1-3](#) before operating the unit with the cover removed. Make sure that the safety instructions are strictly followed. Failure to do so can result in personal injury or loss of life.

CAUTION Do not operate the analyzer with the outer cover removed for more than 30 minutes, as this could cause the analyzer to overheat which could result in costly damage.

NOTE If any one individual voltage supply from the A16 power supply develops an over-voltage or over-current problem, all supplies are affected. The cause of the over-voltage or over-current condition can be the A16 power supply itself, or any assembly to which the A16 power supply provides voltage. To isolate the cause, continue to the assembly removal process as described in the section titled [“If Any Supply Voltage Is Missing” on page 4-9](#).

Table 4-1 Power Supply Measurement Points

Test Point	Supply Name	Expected Level (Vdc)	Test Point	Supply Name	Expected Level (Vdc)
TP517	Analog Ground	0 V	TP516	-5.2 V analog	-5.2 ±0.1
TP509	+15 V analog	+15.0 ±0.1	TP514	-7 V analog	-7.0 ±0.1
TP511	+9 V analog	+9.0 ±0.1	TP500	Digital Ground	0 V
TP515	+3.3 V analog	+3.3 ±0.1	TP502	+5.1 V standby	+5.1 ±0.1
TP513	+5.2 V analog	+5.2 ±0.1	TP503	+12 V digital	+12.0 ±0.1
TP501	+15 V standby	+15.0 ±0.1	TP507	+3.35 V digital	+3.35 ±0.1
TP504	+32 V analog	+32.0 ±0.1	TP505	+5.1 V digital	+5.1 ±0.1
TP512	-15 V analog	-15.0 ±0.1	TP519	Digital Ground	0 V

If All Supply Voltages are Present

If all of the supplies have measured within tolerances, and the instrument still is not functioning properly, refer to [“Front Panel Troubleshooting” on page 4-13](#).

If Any Supply Voltage Is Missing

WARNING Disconnect the line-power cord before removing any assembly. Procedures described in this document may be performed with power supplied to the product while protective covers are removed. Energy available at many points may, if contacted, result in personal injury or loss of life.

You must sequentially remove all of the assemblies, taking care to disconnect the line power cord before each removal, and then measure the supply voltages after each removal.

If the missing supply voltages return to a “power on” condition after removal of an assembly, suspect that assembly as being defective.

Remove the network analyzer assemblies in the order specified in the following steps (refer to [Chapter 7](#) for removal instructions).

1. Unplug the A19 test set motherboard ribbon cable from the A19 test set motherboard (refer to [“Removing and Replacing the A19 Test Set Motherboard” on page 7-30](#)).
1. Unplug the A19 test set motherboard to A20 IF multiplexer board ribbon cable from the A20 IF multiplexer board (refer to [“Removing and Replacing the A20 IF Multiplexer Board” on page 7-32](#)).
2. Unplug the front panel interface cable from the A1 front panel interface board (refer to [“Removing the A1 Front Panel Interface Board and Keypad Assembly” on page 7-10](#)).
3. Remove the A12 SPAM board (refer to [“Removing and Replacing the A4–A13 Boards \(For analyzers with serial numbers prefixed MY/SG/US5150 and below.\)” on page 7-14](#)).
4. Remove the A8 source board (refer to [“Removing and Replacing the A4–A13 Boards \(For analyzers with serial numbers prefixed MY/SG/US5150 and below.\)” on page 7-14](#)).
5. Remove the A5 source board, if present (refer to [“Removing and Replacing the A4–A13 Boards \(For analyzers with serial numbers prefixed MY/SG/US5150 and below.\)” on page 7-14](#)).

6. Remove the A11 13.5 GHz synthesizer board (refer to “Removing and Replacing the A4–A13 Boards (For analyzers with serial numbers prefixed MY/SG/US5150 and below.)” on page 7-14).
7. Remove the A13 13.5 GHz synthesizer board (refer to “Removing and Replacing the A4–A13 Boards (For analyzers with serial numbers prefixed MY/SG/US5150 and below.)” on page 7-14).
8. Remove the A4 13.5 GHz synthesizer board, if present (refer to “Removing and Replacing the A4–A13 Boards (For analyzers with serial numbers prefixed MY/SG/US5150 and below.)” on page 7-14).
9. Remove the A10 frequency reference board (refer to “Removing and Replacing the A4–A13 Boards (For analyzers with serial numbers prefixed MY/SG/US5150 and below.)” on page 7-14).
10. Remove the A18 GPIB board (refer to “Removing and Replacing the A18 GPIB Board” on page 7-28). Reinstall the A16 power supply assembly and the A17 CPU board assembly.
11. Unplug the A51 hard disk drive from the A17 CPU board (refer to “Removing and Replacing the A51 Hard Disk Drive (HDDA)” on page 7-52).

The minimum required assemblies to power up the analyzer are:

- A16 power supply
- A15 midplane board
- A14 system motherboard
- A17 CPU board

To further isolate the failure in the three remaining assemblies, measure the resistance (with the power turned off) from the power supply test points to either ACOM or DCOM.

NOTE Make sure that the only assemblies plugged in are the four minimum required assemblies listed above.

Check for shorts (zero Ω) or very low resistance (approximately 1 Ω). If a short or low resistance is measured, isolate each of the remaining four boards in the following order, and recheck the shorted test point after each board is removed. You should be able to determine if the shorted condition has changed.

Isolate the remaining three assemblies:

- remove the A17 CPU board
- remove the A16 power supply
- remove the A15 midplane board
- This leaves only the A14 system motherboard installed. If the resistance measurements are still incorrect, this is the suspected faulty assembly.

If the Fans Are Not Operating

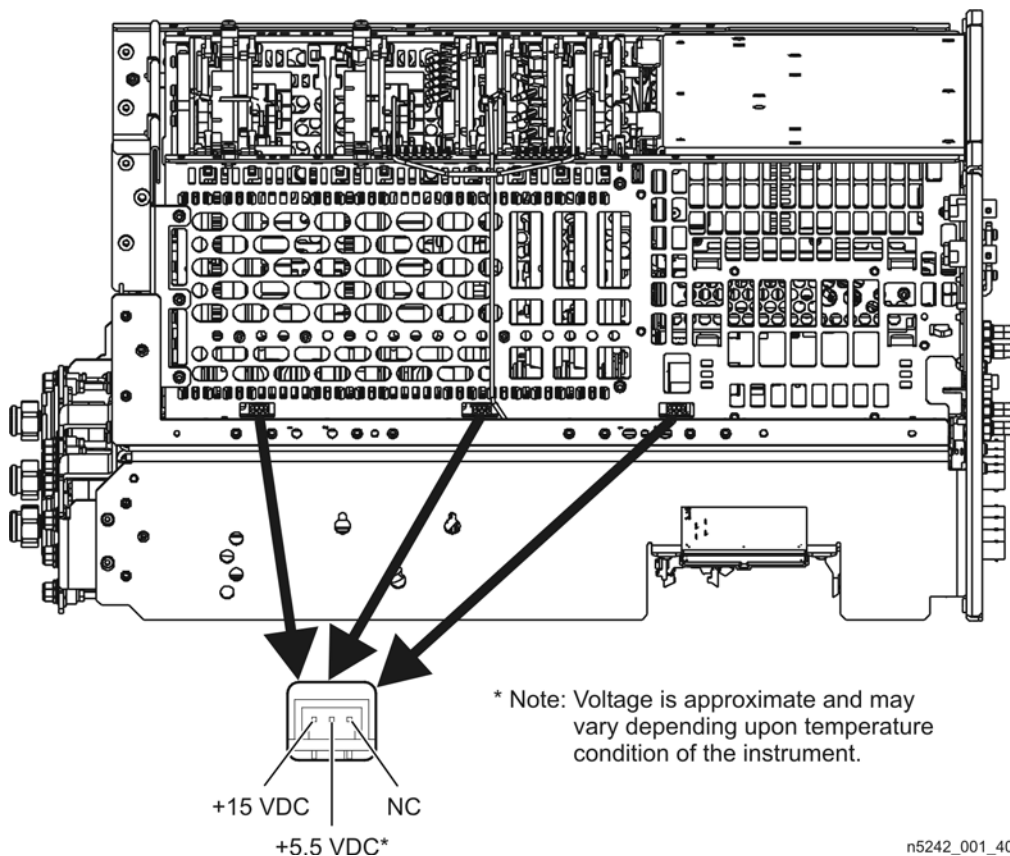
CAUTION The power supply may be in thermal shutdown if the instrument has been operating without the fans running. Allow the instrument to cool down before troubleshooting.

If all three fans are not operating, suspect a power supply problem or a defective A14 system motherboard. Refer to [“Power Supply Check” on page 4-7](#) to check the individual supplies. If the supplies are within specifications, the most probable cause is a defective A14 system motherboard. Refer to [“Removing and Replacing the A14 System Motherboard” on page 7-20](#).

If only one or two fans are not functioning, and the power supplies are within specifications, suspect the A14 system motherboard or defective fan(s). Perform the following procedure.

1. Remove the fan bracket, with fans attached, from the analyzer to expose the fan power cable connections on the A14 system motherboard. Refer to [Figure 4-3](#) for location of these connections. Refer to [“Removing and Replacing the Fans” on page 7-66](#).
2. Plug in the power cord and measure the fan voltages at all three connectors on the A14 system motherboard. THIS MUST BE DONE QUICKLY AS THE ANALYZER WILL RAPIDLY OVERHEAT WITHOUT THE COOLING EFFECT OF THE FANS. DO NOT PLUG IN THE POWER CORD UNTIL READY TO PERFORM MEASUREMENTS.

Figure 4-3 Fan Power Cable Connections



3. If the correct voltage is present at each connection and the fan connectors are in good mechanical condition, suspect a defective fan. Refer to [“Removing and Replacing the Fans” on page 7-66](#).

If the correct voltage is not present, suspect a defective A14 system motherboard. Refer to [“Removing and Replacing the A14 System Motherboard”](#) on page 7-20.

Troubleshooting LCD Display Problems

This procedure is intended to isolate the faulty assembly when the display is dark. If the display is lit, but the color mix is faulty, refer to [“A3 Display Test”](#) on page 4-15.

NOTE There are no front panel adjustments for intensity and contrast of the LCD.

1. If the display is dim, the A3 display assembly is defective. Refer to [“Removing and Replacing the A1–A3 and Other Front Panel Subassemblies”](#) on page 7-10.

If the display is dark (not visible), connect an external VGA monitor to the rear panel Monitor output connector. (Be aware that some multisync monitors might not be able to lock to a 60 Hz sync pulse.) If the video information is not present on the external VGA monitor, the most probable cause is the A17 CPU board. Refer to [“Removing and Replacing the A17 CPU Board Assembly”](#) on page 7-26.

2. If the external VGA monitor displays the correct information, verify that the front panel interface ribbon cable is properly plugged into the motherboard connector. Refer to [“Removing and Replacing the Front Panel Assembly”](#) on page 7-8.
3. If the front panel interface ribbon cable is properly connected, suspect that one or more of the following is defective:
 - inverter board (mounted on the display assembly)
 - A1 front panel interface board
 - A3 display assembly

Front Panel Troubleshooting

The front panel assembly consists of the A1 front panel interface board, the keypad, the A2 USB board, and the A3 display assembly. The following tests verify the operation of the front panel assembly when the analyzer is in the measurement mode. If the instrument fails to power up correctly, or it is difficult to verify due to a faulty display, refer to [“Power Up Troubleshooting” on page 4-6](#).

Refer to the following sections to verify the operation of the noted assemblies.

- [“Front Panel Keypad and RPG Test”](#) on this page
- [“A3 Display Test”](#) on page 4-15
- [“Checking the A2 USB Board”](#) on page 4-16
- [“A1 Front Panel Interface Board”](#) on page 4-16

If all assemblies are working correctly, continue troubleshooting with [“Rear Panel Troubleshooting”](#) on page 4-17.

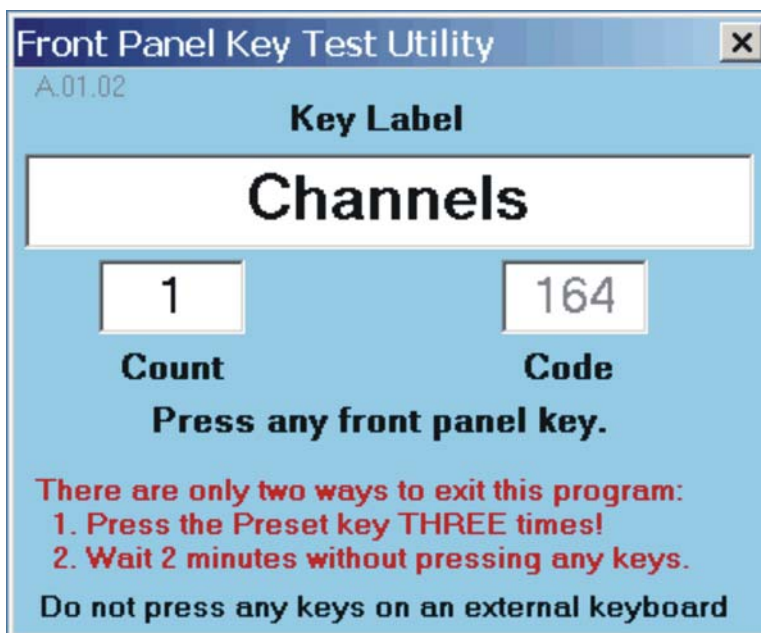
Front Panel Keypad and RPG Test

Test the front panel keypad by running the front panel test. To run the front panel test, perform the following:

Press UTILITY **System**, then **Service**, then **More**, then **Front Panel Test**.

A **Front Panel Key Test Utility** dialog box will be displayed, as shown in [Figure 4-4](#).

Figure 4-4 Front Panel Key Test Utility Dialog Box



n5242_001_403

Checking the Front Panel Keys

To check the front panel keys, push each key and compare the name in the Key Label box to the name physically labeled on the key cap. These names are also in [Table 4-2](#) below.

- If all the key names are correct, then the front panel keypad is working. If some of the keys are not working, suspect a faulty keypad. To replace the keypad, refer to [“Removing the A1 Front Panel Interface Board and Keypad Assembly”](#) on page 7-10.
- If none of the keys are working correctly, suspect a faulty A1 front panel interface board. To replace the A1 front panel interface board, refer to [“Removing the A1 Front Panel Interface Board and Keypad Assembly”](#) on page 7-10.

Table 4-2 Front Panel Keyboard Key Names

TRACE/CHAN Keys	RESPONSE Keys	ENTRY Keys	ENTRY Keys (Cont'd)
Trace 1	Meas	OK	k/m
Trace 2	Format	Cancel	Enter Off
Trace 3	Scale	Help	. (decimal point)
Trace 4	Display	Bk Sp	+/-
Traces	Avg	0	STIMULUS Keys
Channel	Cal	1	Freq
Navigation Keys	MARKER/ ANALYSIS Keys	2	Power
←	Marker	3	Sweep
→	Search	4	Trigger
↑	Memory	5	UTILITY Keys
↓	Analysis	6	Save
Click		7	Print
		8	Macro
		9	Recall
		G/n	System
		M/u	Preset

Checking the RPG (Front Panel Knob)

To check the RPG knob:

1. Press the UTILITY **Preset** key.
2. Rotate the knob and check for a fluid movement of numbers on the analyzer display.
3. If the movement of numbers is not smooth or no numbers appear at all, suspect a faulty A1 front panel interface board. To replace the A1 front panel interface board, refer to [“Removing the A1 Front Panel Interface Board and Keypad Assembly” on page 7-10.](#)

A3 Display Test

The display should be bright with all annotations and text readable. The display test allows you to check for non-functioning pixels and other problems.

NOTE If the display is dim or dark, refer to [“Troubleshooting LCD Display Problems” on page 4-12.](#)

What Is a Damaged Pixel?

A pixel is a picture element that combines to create the image on the display. A pixel is about the size of a small pin point.

A damaged pixel is pixel that has a constant blue, green, red, or black appearance that will not change.

How to Run the Display Test

To run the display test, perform the following:

Press UTILITY **System**, then **Service**, then **More**, then **Display Test**.

A multi-color screen is displayed. Be prepared to look for the symptoms described in [“How to Identify a Faulty Display.”](#) Follow the instructions on the screen.

How to Identify a Faulty Display

A display is considered faulty if:

- More than 0.002% of the total pixels have a constant blue, green, red, or black appearance that will not change.
- Three or more consecutive pixels have a constant blue, green, red, or black appearance that will not change.

If the A3 display assembly is determined to be faulty, replace it. Refer to [“Removing the A3 Display Assembly and the Touchscreen” on page 7-12.](#)

Checking the A2 USB Board

To verify proper operation of the USB board:

- Connect a known good USB device, such as a USB mouse, to a front panel USB port.
- Wait 15 seconds for the analyzer to verify the device connection, and then check the operation of the USB device.
- If the device performs correctly, the USB board is functioning properly.
- If the device does not perform correctly, the USB board is faulty. Refer to [“Removing the A2 USB Board” on page 7-10](#).

A1 Front Panel Interface Board

This assembly performs the following functions:

- It routes USB signals between the front-panel USB connector and the A17 CPU board.
- The speaker produces the audio output from signals supplied by the A17 CPU board.
- It routes key pad commands from the keypad to the A17 CPU board.
- It routes display signals from the A17 CPU board to the A3 display assembly.

Checking the Speaker

If no audio is heard:

- Verify that the volume is set correctly and the proper sound driver is loaded; do the following:
 - Press UTILITY **System**, then **Configure**, then **Control Panel...**.
 - Click on the **Sounds and Audio Devices** entry. Follow the normal Windows procedure to check the sound drivers and volume. If the audio is still not heard, suspect a faulty speaker. Refer to [“Removing the A1 Front Panel Interface Board and Keypad Assembly” on page 7-10](#).

Checking the Operation of the Key Pad Commands

To verify the key pad functionality, refer to [“Front Panel Keypad and RPG Test” on page 4-13](#).

Checking the Display

To verify the display functionality, refer to [“A3 Display Test” on page 4-15](#).

Rear Panel Troubleshooting

Each rear panel connector is associated with a hardware group in the analyzer. You can use the data at these rear panel connectors to help troubleshoot these hardware groups in addition to testing the connectors.

The connectors discussed in this section are:

- USB x 4
- Monitor (VGA)
- GPIB (0) CONTROLLER
- GPIB (1) TALKER/LISTENER
- LAN

Checking the USB Ports

To verify proper operation of any rear panel USB port:

- Connect a known good USB device, such as a USB mouse.
- Wait 15 seconds for the analyzer to verify the device connection, and then check the operation of the USB device.
- If the device performs correctly, the USB port is functioning properly.
- If the device does not perform correctly, remove the non-working USB device, wait 15 seconds, and then reconnect the device to the rear panel USB port.
- If the USB device still does not work and has been verified to work elsewhere, then the A17 CPU board is faulty. Refer to [“Removing and Replacing the A17 CPU Board Assembly” on page 7-26](#).

Checking the CONTROLLER Port

The network analyzer uses a National Instruments 488.2 GPIB controller and associated driver software. This software includes a test utility that scans the GPIB bus and returns the status of all the connected peripherals.

To run the test utility software and check the GPIB status:

1. Connect a known good peripheral to the analyzer using a known good GPIB cable.
2. Press UTILITY **System**, then **Configure**, then **SICL/GPIB...**. A **SICL/GPIB/SCPI** dialog box is displayed.
3. In the **GPIB** block, click **System Controller** to establish the analyzer as a controller. Wait for the analyzer to configure, and then click **OK**.
4. If the Window Desktop is not displayed, press UTILITY **System**, then **Configure**, then **Control Panel...** to view the **Windows Taskbar** menu at the bottom of the display.
5. On the **Windows Taskbar** menu, click **Start** then point to **Programs, National Instruments NI-488.2**, and then click **Explore GPIB** to open the **Measurement & Automation** window.

6. On the left side of the **Measurement & Automation** window under folders:
 - a. Click the plus sign to expand the **Measurement & Automation** folder.
 - b. Click the plus sign to expand the **Devices and Interfaces** folder.
 - c. Right click **GPIB0 (AT-GPIB/TNT)** to open a submenu.
7. On the submenu, click **Scan for Instruments** to run the test.
8. The state of all the peripherals found on the bus is returned.
9. If problems are detected, check the connections of all GPIB cables, and check all the GPIB addresses of the instruments on the bus.

NOTE**Address Information**

- Each device must have its own unique address.
- The network analyzer's default GPIB address in the controller mode is 21.
- The address set on each device must match the one recognized by the analyzer (and displayed).

Refer to the manual of the peripheral to read or change its address.

Troubleshooting Systems with Controllers

Passing the preceding test indicates that the analyzer's peripheral functions are operating normally. Therefore, if the analyzer has not been operating properly with an external controller, check the following:

- The GPIB interface hardware is incorrectly installed or not operational. (Refer to the embedded help in your analyzer.)
- The programming syntax is incorrect. (Refer to the embedded help in your analyzer.)

LAN Troubleshooting

Problems with the Local Area Network (LAN) can be difficult to solve. Software and protocol problems can make it difficult to determine whether the analyzer's hardware is working properly, or if there is a problem with the LAN or cabling.

The purpose of this section is to determine if the analyzer's hardware is functioning properly. While the turn-on self-test verifies some LAN hardware functionality, it is limited to internal testing only. Incorrect IP addresses will prevent proper operation. Improper subnet masks may allow only one-way communication, while improper gateway addresses may exclude outside LAN access.

Ping Command

The analyzer has the built-in capability of performing a “ping” operation. Ping will request the analyzer to send a few bytes of information to a specific LAN device. That device will then signal the analyzer that it has received the information. The analyzer computes the approximate round trip time of the communication cycle and displays it. For a full test of two-way communications, a ping test should be performed in two directions.

- **First:** you should ping from the analyzer to the local area network.
- **Second:** you should ping from the local area network to the analyzer.

NOTE In the second case, any other network device capable of sending a ping command could be used, assuming it is connected to the same network. This could be a computer or even another analyzer.

How to Ping from the Analyzer to the Local Area Network (LAN)

Follow the steps below to verify proper LAN operation (assuming you have a functioning LAN). If no network LAN is available, see [“Testing Between Two Analyzers” on page 4-20](#).

1. Make sure the IP address on the analyzer is set properly and that it is unique. If unsure how to check the IP address, refer to the embedded help in the analyzer.
2. Make sure the subnet mask is 0.0.0.0. If not, note the current setting (to allow setting it back later) and then set it to 0.0.0.0.
3. Find and note the IP address of another working LAN device on the same network. Make sure this device is turned on, connected, and is functioning properly.
4. To ping the network device:
 - a. If the Windows Desktop is not displayed, press UTILITY **System**, then **Configure**, then **Control Panel...** to view the **Windows Taskbar** menu at the bottom of the display.
 - b. On the **Windows Taskbar** menu, click **Start**, point to **Programs, Accessories**, and then click **Command Prompt**.
 - c. The command prompt window is displayed.
 - d. At the prompt, type ping xxx.xxx.xxx.xxx¹ and press ENTRY **Enter** on the front panel. Refer to Step 5 for the results of a successful ping.
5. The analyzer attempts four cycles of communications with the indicated LAN device.
 - It displays the time it took to complete each cycle.
 - Each cycle times-out after one second if no communication is established and the message, Request timed out, is displayed.
 - It is common for the first of the four cycles to time-out even though subsequent cycles pass.
 - See below for an example output of a successful ping.

```
C:>ping 141.121.69.162
```

-
1. The letters x represent the IP address of the other device on the network.

Pinging 141.121.69.162 with 32 bytes of data:

```
Reply from 141.121.69.162: bytes=32 time<10ms TTL=127
Reply from 141.121.69.162: bytes=32 time<10ms TTL=127
Reply from 141.121.69.162: bytes=32 time<10ms TTL=127
Reply from 141.121.69.162: bytes=32 time<10ms TTL=127
```

Ping statistics for 141.121.69.162:

Packets: Sent = 4, Received = 4, lost = 0 <0% loss>.

Approximate round trip times in milli-seconds:

Minimum = 0ms, Maximum = 0ms, Average = 0ms

6. The above message verifies that one way communication from the analyzer to the network has been established
7. If the subnet mask was changed in step 2, set it back at this time.

How to Ping from the Local Area Network (LAN) to the Analyzer

Reverse communication should also be verified. Determining this, though, is dependent upon your network setup and software. Generally, you need to issue a ping command using the IP address of the analyzer to be tested. For example, using Windows 95, 98, 2000, or XP and while at a DOS prompt, type in ping xxx.xxx.xxx.xxx¹. Then press ENTRY on the front panel. If full communication can be established, then the computer display shows the cycle time for each of four cycle attempts (similar to that in step 5). Other software may behave somewhat differently, but basically the same.

If the analyzer can talk to the network, but the network can not talk to the analyzer, then the computer or device used from the network may have a subnet mask that excludes communication with the IP address chosen for the analyzer. Any subnet mask other than 0.0.0.0 will exclude operation from some addresses. Changing the subnet mask of a computer or other device should only be attempted by a qualified network administrator. Failure to communicate due to a subnet mask incompatibility does not indicate any failure of the analyzer.

If the analyzer fails to ping in either direction, and assuming the subnet masks are set properly, then the fault must be isolated to the analyzer or to the network. Contact a qualified network administrator.

Testing Between Two Analyzers

The ability of the analyzer's LAN to function can be easily tested by connecting two analyzers together using a "crossover cable" (a short length of cable with an RJ-45 connector on each end).

Some network hubs have the capability to make a crossover connection using two normal, or straight-through, cables. If this capability is not available and a crossover cable is not available, a crossover cable can be made by following the directions in "[Constructing a Crossover Cable](#)" on page 4-21.

Set the IP addresses on two analyzers. The addresses can be set to anything, but they must be different. Make sure the subnet mask and gateway addresses are set to 0.0.0.0 and that the LAN is active on both analyzers. Connect the two analyzers together using either a crossover cable or a crossover hub.

Now follow the steps in "[How to Ping from the Analyzer to the Local Area Network \(LAN\)](#)" on page 4-19 to have the first analyzer ping the second analyzer. When done, repeat the procedure having the second

1. The letters x represent the IP address of the analyzer.

analyzer ping the first. If both procedures function properly, the LAN circuitry on both analyzers is verified.

If neither function properly:

- One or both IP addresses could be wrong.
- One or both LAN states could be set to off.
- The crossover cable could be miswired.
- One or both analyzers could be defective.

If possible, eliminate the possibility of a defective analyzer by substitution of a known working unit. Once the analyzer has been proven to be working properly, concentration can be placed on the network itself to determine the cause of the failure.

Constructing a Crossover Cable

A crossover cable can be made from a standard LAN cable by connecting pin 1 from each connector to pin 3 of the other connector, and pin 2 from each connector to pin 6 of the other connector.

1. Strip away a few inches of the outside jacket insulation from the middle of a standard LAN cable that has an RJ-45 connector on each end.

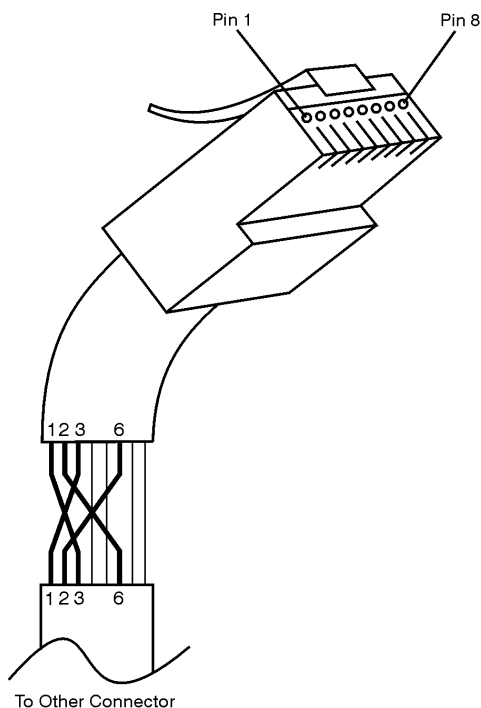
NOTE Pins 1, 2, 3, and 6 of the connectors must be located to determine which wires to cut in the following steps. Most, but not all, LAN cables use the color coding listed in [Table 4-3](#). If your cable does not use this color scheme, you will have to determine the locations of the appropriate wires before proceeding with this procedure.

Table 4-3 LAN Pin Definitions and Wire Color Codes

Pin Number	Color	Pin Number	Color
1 (transmit +)	White/orange	5	White/blue
2 (transmit -)	Orange	6 (receive -)	Green
3 (receive +)	White/green	7	White/brown
4	Blue	8	Brown

- Cut the wires going to pins 1, 2, 3, and 6. Strip away a small amount of insulation from each of the eight cut ends.
 - Connect the wire from pin 1 on one end of the cable to the wire from pin 3 on the other end of the cable.
 - Connect the wire from pin 3 on one end of the cable to the wire from pin 1 on the other end of the cable.
 - Connect the wire from pin 2 on one end of the cable to the wire from pin 6 on the other end of the cable.
 - Connect the wire from pin 6 on one end of the cable to the wire from pin 2 on the other end of the cable.
- Insulate all exposed wires so that they cannot short together.
- Label this as a crossover cable so that it cannot be confused with a standard cable.

Figure 4-5 Construction of a Crossover Cable



sd623c

Measurement System Troubleshooting

This section provides troubleshooting procedures for the measurement portion of the PNA. In this section, the analyzer is used as a tool to help isolate the suspected faulty functional group. Once the faulty functional group is determined, troubleshooting steps are provided to help you isolate the faulty assembly or part.

Before you begin—consider: Where do you see a problem?

If you are seeing a problem at **Preset**, perform the standard S-parameter test set troubleshooting procedure, starting with: “[Verifying the A, B, C, D, and R Traces \(Standard S-Parameter Mode\)](#)” on page 4-26.

You should also consider the problem indications that are observed and whether the observed condition is a soft failure or a hard failure.

Soft Failure

With a *soft* failure, the network analyzer's performance has degraded to an unacceptable level, yet it continues to operate and displays no error messages. For this type of failure, performance tests must be conducted to isolate the problem. Begin with viewing the error terms as described in “[Error Terms](#)” on page 8-3. This will help to isolate most problems. If additional tests are required, refer to “[Performance Tests](#)” on page 3-29.

Hard Failure

With a *hard* failure, the PNA does not perform well and displays one or more error messages. To diagnose and repair a hard failure:

- Check “[Help About](#)” to verify that the model number and options listed match the actual analyzer model and options.
- Check “[EEPROM Headers](#)” to verify that the data there is correct.
- Check error messages. Refer to “[Error Messages](#)” and follow the suggestions outlined there for each applicable error message.

Help About

Go to the Help About screen by pressing UTILITY **System**, then **Help**, then **About NA...**. Verify that the information displayed in this screen is correct for your analyzer. If any of the information is incorrect, contact Agilent Technologies. Refer to “[Contacting Agilent](#)” on page 2-14.

EEPROM Headers

The network analyzer application uses the firmware revision information stored in the pc board header EEPROM. If the information stored in any EEPROM is incorrect, the network analyzer may not operate properly.

The following table lists the pc boards in your network analyzer that contain EEPROM headers. The pc boards are listed by name and part number and the correct firmware revision code is given for each.

PC Board Name	Serial Number Prefixes Affected	PC Board Part Number	Hardware ID	Firmware Revision
SPAM	MY/SG/US5201 and above	N5240-60056	A12	A
	MY/SG/US5150 and below	N5245-60126 Was N5240-60041, N5264-60005		
13.5 GHz LO Synthesizer	MY/SG/US5201 and above	N5242-60150	A11	D
	MY/SG/US5150 and below	N5242-60166 Was N5230-60002 ^a		
Test Set Motherboard	All prefixes	N5245-60003 Was N5240-60043	A19	E
IF Multiplexer	All prefixes	N5240-60062 Was N5240-60045	A20	A
Frequency Reference	All prefixes	N5240-60061 Was N5240-60042	A10	C
26.5 GHz Source 2	All prefixes	5087-7307	A8	A
13.5 GHz source 2 synthesizer	MY/SG/US5201 and above	N5242-60150	A13	D
	MY/SG/US5150 and below	N5242-60166 Was N5230-60002 ^a		
13.5 GHz source 1 synthesizer	MY/SG/US5201 and above	N5242-60150	A4	D
	MY/SG/US5150 and below	N5242-60166 Was N5230-60002 ^a		
26.5 GHz Source 1	All prefixes	5087-7307	A5	A
GPIB	All prefixes	N5240-60059 Was N5240-60052	A18	A
See footnote on the following page.				

- a. If any N5230-60002 13.5 GHz Synthesizer board in your PNA is replaced with the RoHS compliant N5242-60166 board, you must replace ALL of the other N5230-60002 boards. To help lower the price for customers who must replace three synthesizer boards in their PNA-X, Agilent provides kit N5242-60168 - containing three N5242-60166 boards - at a discounted price. Any spare boards may be retained for future repairs. You must also upgrade your PNA firmware to rev A09.33xx or above. Download PNA firmware at <http://na.tm.agilent.com/pna/firmware/firmware.html>.

To view this EEPROM header information on the network analyzer display: press UTILITY **System**, then **Service**, then **Utilities**, then **View EEPROM Headers**.

If the information is incorrect for any of the pc boards, contact Agilent Technologies. Refer to “[Contacting Agilent](#)” on page 2-14.

Error Messages

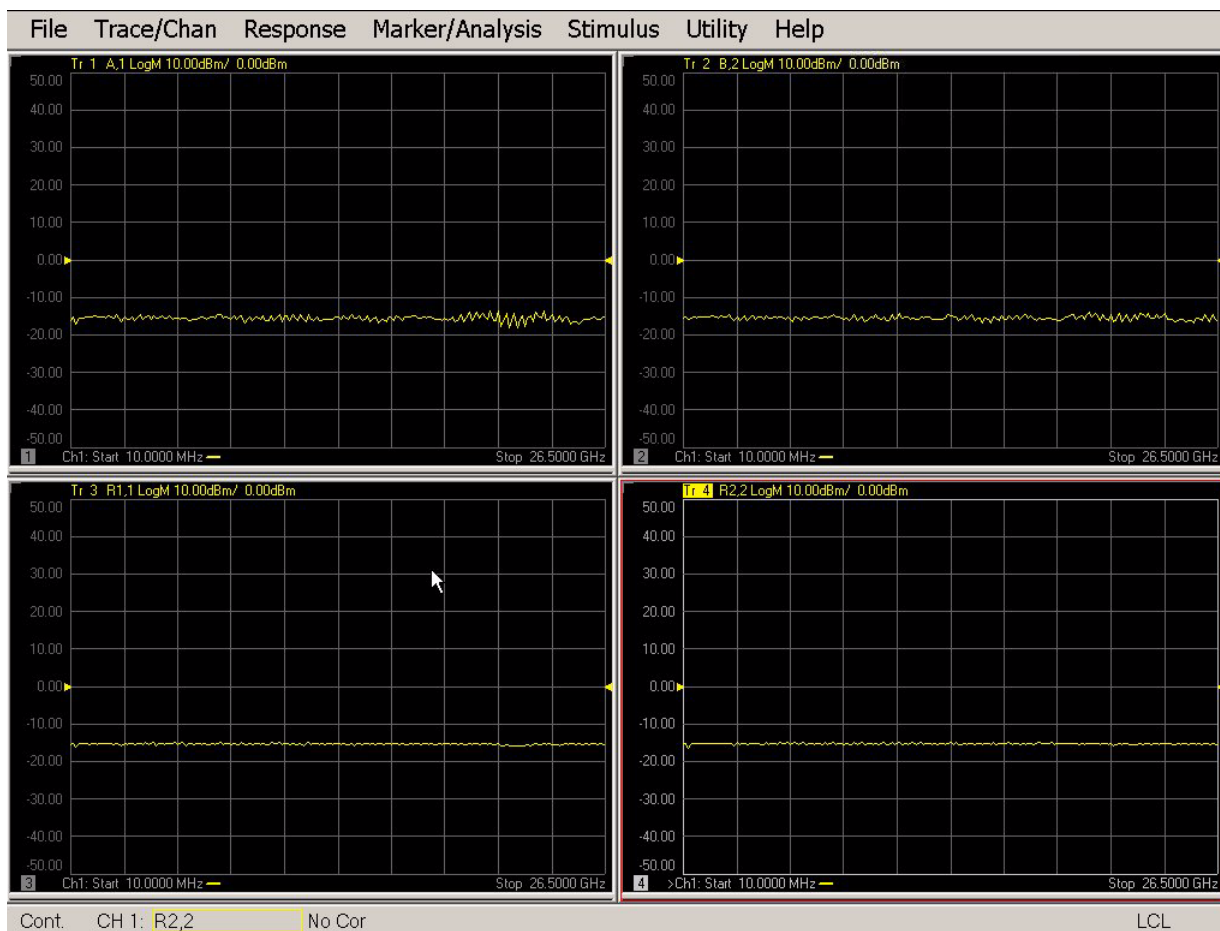
SOURCE UNLEVELED: The source ALC circuit on the A19 test set motherboard is running open-loop. Check the cable connections for the A21 HMA26.5 and the A19 test set motherboard.

Verifying the A, B, C, D, and R Traces (Standard S-Parameter Mode)

The first step is to verify that the A, B, C, D, and R traces are present and that they are approximately level:

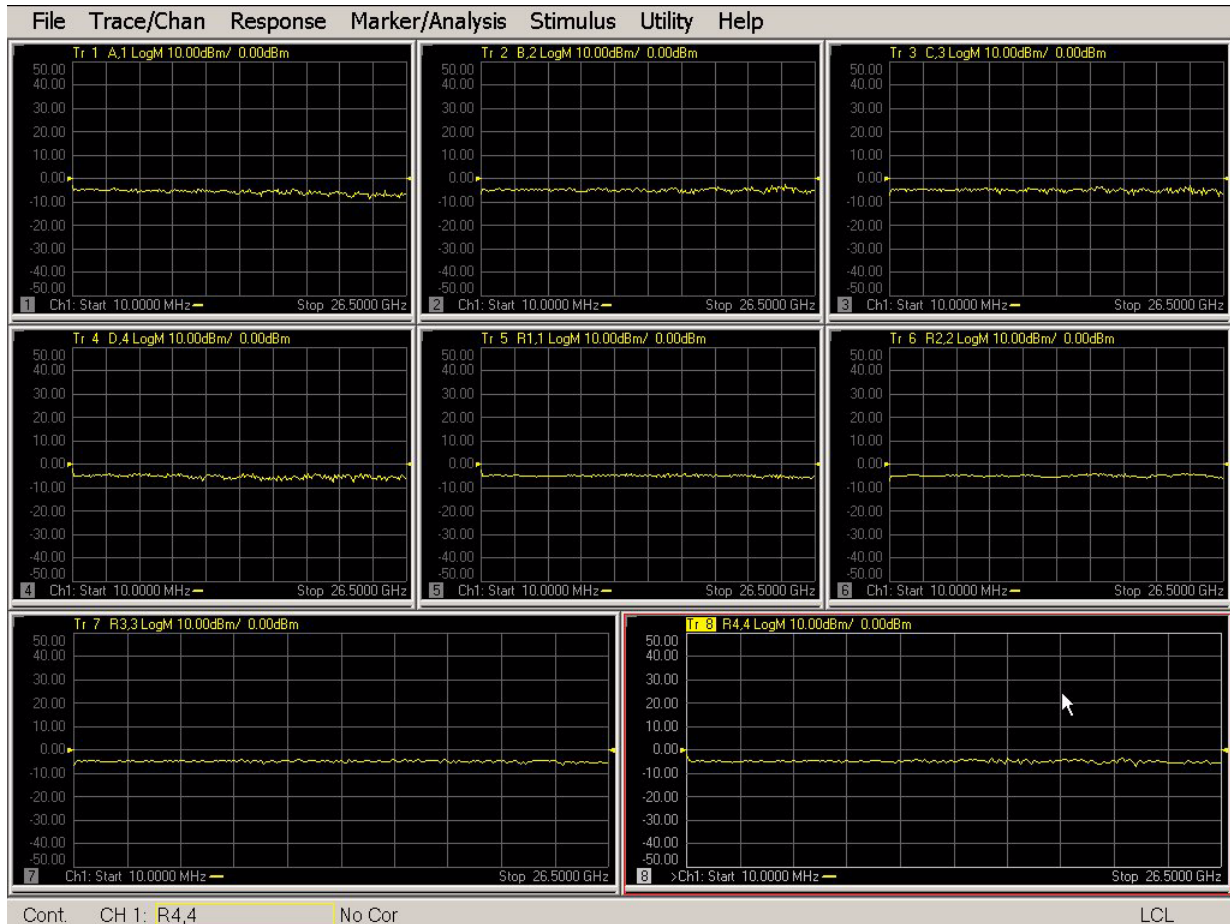
- Connect an Open or Short standard from a mechanical calibration kit to each test port (use adapters if necessary).
- Press UTILITY **System**, then **Service**, then **Utilities**, then **Receiver Display**.
- For 2-port analyzer models, traces A, B, R1, and R2 are displayed in four separate data windows as shown in [Figure 4-6](#). Identifying discrepancies of the traces in these windows can help you to isolate the faulty assembly.

Figure 4-6 Typical 4-Receiver Display for 2-Port Models



- For 4-port analyzer models, traces A, B, C, D, R1, R2, R3, and R4 are displayed in eight separate data windows as shown in [Figure 4-7](#). Identifying discrepancies of the traces in these windows can help you to isolate the faulty assembly.

Figure 4-7 Typical 8-Receiver Display for 4-Port Models



- If all traces are present and are similar to the traces in [Figure 4-6](#) or [Figure 4-7](#), then there are no major problems with the analyzer’s measurement system. There may, however, be a minor failure in the analyzer.

To test further:

- Go to [Chapter 3, “Tests and Adjustments”](#) and perform all the tests in that section.
- If a problem still exists, contact Agilent. Refer to [“Contacting Agilent” on page 2-14](#).
- If any of the traces are not present, are noisy or distorted, or are at an incorrect level, then there is a problem with the analyzer’s measurement system. Proceed to [“Where to Begin Troubleshooting.”](#)

Where to Begin Troubleshooting

For the purposes of troubleshooting, the analyzer block diagram is divided into the following functional groups:

- **the source and LO group**
 - A10 frequency reference
 - A4 and A13 (optional on 2-port analyzers) 13.5 GHz source synthesizers
 - A5 and A8 (optional on 2-port analyzers) sources
 - A11 13.5 GHz LO synthesizer
 - A21 HMA26.5
 - A22 splitter
 - A19 test set motherboard
- **the signal separation group**
 - A46, A47, A48, and A49 mechanical switches (optional)
 - A50 combiner (optional)
 - A25, A26, A27, and A28 bridges
 - A34, A35, A36, and A37 60-dB source step attenuators (optional)
 - A38, A39, A40, and A41 60-dB bias tees (optional)
 - A29, A30, A31, and A32 test port couplers
 - A19 test set motherboard
- **the receiver group**
 - A33 reference mixer switch
 - A42, A43, A44, and A45 35-dB receiver step attenuators (optional)
 - A23 and A24 mixer bricks
 - A12 SPAM board
 - A20 IF multiplexer board
 - A19 test set motherboard
- **the noise measurement group (Option 029)**
 - A52 and A53 test port 1 and test port 2 Option 029 switches
 - A54 test port 2 Option 029 bridge
 - A55 noise downconverter
 - A7 noise receiver board

Use the list on the following pages to help you determine in which analyzer functional group to begin troubleshooting.

This is by no means an exhaustive list of possible symptoms nor possible failures. It is recommended that you view the system block diagram, at the end of this chapter, as you review the entries in this list and perform any of the troubleshooting procedures listed.

Good judgement and established logical troubleshooting techniques must be used to complement the procedures contained in this section.

All Traces

- **If all traces are missing in all bands**, the problem is most likely in the source group. However, a missing or disabled DSP driver may exhibit the same or similar symptoms. To verify that this DSP driver is present and enabled:
 1. Press UTILITY **System**, then **Configure**, then **Control Panel...**. In the **Address** box, click the down arrow and then click **My Computer**. In an open area of the My Computer window, click the right mouse button and then click **Properties** in the resulting pop-up menu.

Click the **Hardware** tab, click **Device Manager**, and then expand **Agilent PNA DSP Device** in the resulting list. The following entry should be listed: **Agilent Technologies DSP Driver #2** and should be enabled.
 2. If the entry is not present or if the icon to the left of the name is a yellow box containing an exclamation mark (!), navigate the following directories and verify the presence of the following file:
C:\WINNT\system32\drivers\spampnp.sys.
 3. If you have verified that the DSP driver is present and enabled, but all traces are still missing in all bands, go to [“Checking the Source Group” on page 4-30](#).
- **If the traces exhibit power drops in some frequency bands**, the problem is in the source group. Go to [“Source Group Tests” on page 4-30](#) and perform the tests that correspond to the problems seen.

Single Trace (A, B, C, D, R1, R2, R3, or R4) Only

If the trace is missing in all bands or has notches or roll-off, go to [“Checking the Signal Separation Group” on page 4-34](#).

A, B, R1, and R2 Traces Only

The problem is in the source 1 group, go to [“Checking the Source Group” on page 4-30](#).

C, D, R3, and R4 Traces Only

The problem is in the source 2 group, go to [“Checking the Source Group” on page 4-30](#).

Checking the Source Group

Source Group Tests

Before checking the source group assemblies, you must open the analyzer.

CAUTION Use an antistatic work surface and wrist strap to reduce the chance of electrostatic discharge for all of the procedures in this chapter.

1. Turn off the analyzer power.
 2. Unplug the power to the analyzer and disconnect all front and rear panel connections except installed jumpers.
 3. Remove the outer and inner covers from the analyzer. Refer to [“Removing the Covers” on page 7-6](#).
-

WARNING Procedures described in this document are performed with power supplied to the product while protective covers are removed. Energy available at many points may, if contacted, result in personal injury.

4. With the covers off, plug in the analyzer and turn on the power.
-

CAUTION Do not operate the analyzer with the outer cover removed for more than 30 minutes, as this could cause the analyzer to overheat which could result in costly damage.

Frequency Banded vs. Broadband Failure

There are two main types of failures that are related to the source group. Frequency banded failures are indicated by all receiver traces having partial dropouts across the frequency range. Broadband failures are indicated by all receiver traces being in the noise floor.

RF Signal Troubleshooting

Check the output power of the A, B, C, and D signals:

Equipment Used for This Check

Equipment Type	Model or Part Number	Alternate Model or Part Number
Power meter	E4418B/E4419B	E4418A/E4419A
Power sensor, 2.4 mm	E8487A	None
Adapter, 2.4 mm (f) to 2.4 mm (f)	11900B	85056-60007

Equipment Setup

1. Before starting these checks, zero and calibrate the power meter. (See the power meter user's guide for instructions on setting the calibration factor.)
2. If the **Receiver Display** (Figure 4-6 or Figure 4-7) is not on the analyzer screen, perform the following:
Press UTILITY **System**, then **Service**, then **Utilities**, then **Receiver Display**.
3. Set the sweep speed for a 10 second sweep: Press STIMULUS **Sweep**, then **Sweep Time**. Set the time to 10.000 seconds in the **Sweep Time** box.

To isolate a broadband RF signal generation failure, check the test port output power:

4. Note the power reading displayed on the power meter; it should be the preset power level +/- 1 dB.
5. Connect the power sensor, in turn, to Ports 2, 3, and 4 and set trace to measure S_{22} , S_{33} , and S_{44} respectively. Note the power reading displayed on the power meter.
 - If the power level is low or high on all test ports, the problem is LO signal related. Continue with ["Checking the A10 50 MHz Reference Outputs"](#).
 - If the power level is low or high on only one of the test ports, the problem is either source group or in the signal separation group. Continue with ["Checking the A10 50 MHz Reference Outputs"](#) to check the source group.

Checking the A10 50 MHz Reference Outputs

1. Refer to the block diagram at the end of this chapter and to ["Top Cables, All Cables—All Options" on page 6-17](#). Locate flexible cables W65, W66, and W67, at the A10 frequency reference board.
2. Disconnect cables W65, W66, and W67, one at a time, from the A10 board.
3. Connect the spectrum analyzer to the open connector on the A10 board.
4. The spectrum analyzer should measure a signal at 50 MHz.
5. If any of the 50 MHz signals are not present, replace the A10 frequency reference board. Refer to ["Removing and Replacing the A4–A13 Boards \(For analyzers with serial numbers prefixed MY/SG/US5150 and below.\)" on page 7-14](#).
6. If the 50 MHz signals are present, reconnect the cables, and then:
 - for LO related problems, continue testing at ["Checking the A11 13.5 GHz LO Synthesizer Output"](#).
 - for source related problems, continue testing at ["Checking the A4 and A13 Source Synthesizer Outputs" on page 4-33](#).

Checking the A11 13.5 GHz LO Synthesizer Output

1. Refer to the block diagram at the end of this chapter and to ["Top Cables, All Cables—All Options" on page 6-17](#). Locate the flexible cable W41 at the A11 LO synthesizer board.
2. Disconnect W41 from J1207.
3. Connect the spectrum analyzer to J1207.
4. Set the network analyzer for an 800 MHz CW frequency and observe the spectrum analyzer measurement. An 807.61 MHz signal should be present.

5. If the observed problem was frequency banded rather than broadband related, set the analyzer frequency to the center of the problem band. The spectrum analyzer should measure a signal at 7.61 MHz above the network analyzer setting.
6. If the LO signal is not present and the 50 MHz reference signal is present from [“Checking the A10 50 MHz Reference Outputs,”](#) replace the A11 LO synthesizer board. Refer to [“Removing and Replacing the A4–A13 Boards \(For analyzers with serial numbers prefixed MY/SG/US5150 and below.\)”](#) on page 7-14.
7. If the signal is present, reconnect cable W41, and then continue with [“Checking the A21 HMA26.5 Output”](#).

Checking the A21 HMA26.5 Output

1. Refer to the block diagram at the end of this chapter and to [“Bottom RF Cables, Standard 4-Port Configuration, Option 400”](#) on page 6-75. Locate the flexible cable W42 at the A21 HMA26.5.
2. Disconnect W42 (4-port models) or W70 (2-port models) from the A21 HMA 26.5.
3. Connect the spectrum analyzer to the open connector on the A21 HMA 26.5.
4. Set the network analyzer for a 800 MHz CW frequency and observe the spectrum analyzer measurement. The spectrum analyzer should measure a signal at 807.61 MHz.
5. If the observed problem was frequency banded rather than broadband related, set the analyzer frequency to the center of the problem band. The spectrum analyzer should measure a signal at 7.61 MHz above the network analyzer setting.
6. If the signal is not present and the signal is present from [“Checking the A11 13.5 GHz LO Synthesizer Output,”](#) replace the A21 HMA 26.5. Refer to [“Removing and Replacing the A21 HMA26.5”](#) on page 7-34.
7. If the signal is present, reconnect cable W42 or W70, and then:
 - for 2-port models, continue checking with [“Checking the Receiver Group”](#) on page 4-38.
 - for 4-port models, continue checking with [“Checking the A22 Splitter Output”](#).

Checking the A22 Splitter Output

1. Refer to the block diagram at the end of this chapter and to [“Bottom RF Cables, Standard 4-Port Configuration, Option 400”](#) on page 6-75. Locate the semi-rigid cables W43 and W44, at the A22 splitter.
2. Disconnect W43 and W44, one at a time, from the A22 splitter.
3. Connect the spectrum analyzer to the open connector.
4. Set the network analyzer for an 800 MHz CW frequency and observe the spectrum analyzer measurement. The spectrum analyzer should measure a signal at 807.61 MHz.
5. If the observed problem was frequency banded rather than broadband related, set the analyzer frequency to the center of the problem band. The spectrum analyzer should measure a signal at 7.61 MHz above the network analyzer setting.
6. If the signal is not present and the signal is present from [“Checking the A21 HMA26.5 Output,”](#) replace the A22 splitter. Refer to [“Removing and Replacing the A22 Splitter”](#) on page 7-36.
7. If the signal is present, reconnect cables W43 and W44, and then continue with [“Checking the Receiver Group”](#) on page 4-38.

Checking the A4 and A13 Source Synthesizer Outputs

1. Refer to the block diagram at the end of this chapter and to [“Top Cables, All Cables—All Options” on page 6-17](#). Locate either the flexible cable W1 at the A4 source 1 synthesizer board or W2 at the A13 source 2 synthesizer board. (W2 and A13 are only available in 4-port models and 2-port models with Option 224.)
2. Disconnect W1 or W2 from J1207.
3. Connect the spectrum analyzer to J1207.
4. Set the network analyzer for a 800 MHz CW frequency and observe the spectrum analyzer measurement. The spectrum analyzer should measure a signal at 800 MHz.
5. If the observed problem was frequency banded rather than broadband related, set the analyzer frequency to the center of the problem band. The spectrum analyzer should measure a signal at 7.61 MHz above the network analyzer setting.
6. If the signal is not present and the 50 MHz reference signal is present from [“Checking the A10 50 MHz Reference Outputs,”](#) replace the faulty synthesizer board. Refer to [“Removing and Replacing the A4–A13 Boards \(For analyzers with serial numbers prefixed MY/SG/US5150 and below.\)” on page 7-14](#).
7. If the signal is present, reconnect cables W1 and W2, and then continue with [“Checking the A5 and A8 Source Outputs”](#).

Checking the A5 and A8 Source Outputs

1. Refer to the block diagram at the end of this chapter and to [“Top Cables, All Cables—All Options” on page 6-17](#). Locate the W3 and W9 cables at the A5 source 1 board or W5 and W7 cables at the A8 source 2 board. (W5, W7, and A5 are only available in 4-port models and 2-port models with Option 224.)
2. Disconnect the cables W3 and W9 or cables W5 and W7, dependent on the source board to be checked.
3. Connect the spectrum analyzer to the open connector at the end of the cable that connects to the source board to be checked.
4. Set the network analyzer for an 800 MHz CW frequency and observe the spectrum analyzer measurement. The spectrum analyzer should measure an 800 MHz signal.
5. If the observed problem was frequency banded rather than broadband related, set the analyzer frequency to the center of the problem band. The spectrum analyzer should measure a signal at 7.61 MHz above the network analyzer setting.
6. If the signal is not present and the signals are present from [“Checking the A4 and A13 Source Synthesizer Outputs,”](#) replace the appropriate source board. Refer to [“Removing and Replacing the A4–A13 Boards \(For analyzers with serial numbers prefixed MY/SG/US5150 and below.\)” on page 7-14](#).
7. If the signal is present, reconnect all cables, and then continue with [“Checking the Signal Separation Group” on page 4-34](#).

Checking the Signal Separation Group

Before checking the signal separation group assemblies, you must open the analyzer.

CAUTION Use an antistatic work surface and wrist strap to reduce the chance of electrostatic discharge for all of the procedures in this chapter.

1. Turn off the analyzer power.
2. Unplug the power to the analyzer and disconnect all front and rear panel connections except installed jumpers.
3. Remove the outer cover from the analyzer. Refer to “[Removing the Covers](#)” on page 7-6.

WARNING Procedures described in this document are performed with power supplied to the product while protective covers are removed. Energy available at many points may, if contacted, result in personal injury.

4. With the covers off, plug in the analyzer and turn on the power.

CAUTION Do not operate the analyzer with the outer cover removed for more than 30 minutes, as this could cause the analyzer to overheat which could result in costly damage.

Checking the Output Power of the A, B, C, and D Signals

Using a power meter, you can measure the outputs of the A, B, C, and D signals from the front panel. The measurement results will help you isolate a faulty assembly. The output of the R receiver cannot be measured because it would necessitate breaking the phase lock loop, causing all of the signals to be lost.

Equipment Used for This Check

Equipment Type	Model or Part Number	Alternate Model or Part Number
Power meter	E4418B/E441B	E4418A/E4419A
Power sensor, 3.5 mm	E8485A	None
Adapter, 3.5 mm (f) to 3.5 mm (f)	83059B	85052-60012

Equipment Setup

1. Before starting these checks, zero and calibrate the power meter. (See the power meter user’s guide for instructions on setting the calibration factor.)
2. If the **Receiver Display** ([Figure 4-6](#) or [Figure 4-7](#)) is not on the analyzer screen, perform the following:
Press UTILITY **System**, then **Service**, then **Utilities**, then **Receiver Display**.
3. Set the sweep speed for a 10 second sweep: Press STIMULUS **Sweep**, then **Sweep Time**. Set the time to 10.000 seconds in the **Sweep Time** box.

Checking Port 1, 2, 3, or 4 Power Outputs (A, B, C, or D Signals)

The object of this check is to verify the power of the output signal across the entire frequency range. Perform this test if there is an observed problem only with one receiver trace. The ten second sweep is slow enough to allow you to observe the output power on the power meter as the sweep occurs.

1. Connect the power sensor to the suspect port.
2. Set the trace to measure S_{11} , S_{22} , S_{33} , or S_{44} , dependent on the suspect port.
3. Observe the power reading on the power meter as the sweep occurs on the analyzer.
4. The measured output power on the power meter should be at least the preset power level ± 1 dB over the entire frequency range.
 - If the measured power is correct, go to [“Checking the Receiver Group” on page 4-38](#).
 - If the measured power is not correct, go to [“Checking the Signal through the Signal Separation Path” on page 4-35](#).

Checking the Signal through the Signal Separation Path

For all of the following checks, refer to the block diagrams at the end of this chapter and to any of the following that are appropriate:

- [“2-Port Configuration, Option 200” on page 6-19](#)
- [“Bottom RF Cables, Standard 2-Port Configuration, Option 200” on page 6-21](#)
- [“Bottom Assemblies, 2-Port, Options 200/219” on page 6-25](#)
- [“Bottom RF Cables, 2-Port, Options 200/219” on page 6-27](#)
- [“Bottom Assemblies, 2-Port, Options 200/219/224” on page 6-49](#)
- [“Bottom RF Cables, 2-Port, Options 200/219/224” on page 6-51](#)
- [“Bottom Assemblies, Standard 4-Port Configuration, Option 400” on page 6-73](#)
- [“Bottom RF Cables, Standard 4-Port Configuration, Option 400” on page 6-75](#)
- [“Bottom Assemblies, 4-Port, Options 400/419” on page 6-79](#)
- [“Bottom RF Cables, 4-Port, Options 400/419 \(Ports 1 and 2\)” on page 6-81](#)
- [“Bottom RF Cables, 4-Port, Options 400/419 \(Ports 3 and 4\)” on page 6-83](#)
- [“Bottom Assemblies, 4-Port, Options 400/419/423” on page 6-112](#)
- [“Bottom RF Cables, 4-Port, Options 400/419/423 \(Ports 1 and 2\)” on page 6-114](#)
- [“Bottom RF Cables, 4-Port, Options 400/419/423 \(Ports 3 and 4\)” on page 6-116](#)

Trace loss in the signal separation group is due to one or more of the following assemblies being defective:

- A46, A47, A48, or A49 mechanical switch and A50 combiner (Option 224 or 423)
- A25, A26, A27, or A28 bridge
- A34, A35, A36, or A37 source step attenuator
- A38, A39, A40, or A41 bias tee
- A29, A30, A31, or A32 test port coupler

Equipment Used for These Tests

Equipment Type	Model or Part Number	Alternate Model or Part Number
Spectrum analyzer	8565E	856xE ^a

- a. Must be capable of measuring a signal at 1 GHz.

To determine which assembly is defective, check the signal at each available measurement point in the signal path from the output of the source board to the output port.

Set the network analyzer for an S_{11} , S_{22} , S_{33} , or S_{44} , measurement for Port 1, 2, 3, or 4 respectively, with a CW frequency of 800 MHz.

Perform the following checks in the order presented.

Checking the A25, A26, A27, and A28 Bridges

- Locate the appropriate semirigid cable at the output of the bridge to be checked:
 - Options 200 and 400
 - Port 1; W11 of A25
 - Port 2; W23 of A28
 - Port 3; W15 of A26
 - Port 4; W19 or A27
 - Options 219, 224, 419, and 423
 - Port 1; W71 of A25
 - Port 2; W83 of A28
 - Port 3; W75 of A26
 - Port 4; W79 of A27
- Using a 5/16-inch torque wrench, disconnect the semirigid cable at the bridge.
- Connect the spectrum analyzer to the open bridge connector. Set the spectrum analyzer to measure a signal at 800 MHz.
- If the 800 MHz signal is not present and the analyzer has mechanical switches, continue testing at [“Checking the A46, A47, A48, and A49 Mechanical Switches” on page 4-37.](#)
- If the 800 MHz signal is not present and the analyzer does not have mechanical switches, replace the bridge. Refer to [“Removing and Replacing the A25–A28 Bridges and Bridge Mounting Brackets” on page 7-40.](#)
- If the 800 MHz signal is present and the analyzer has source attenuators and bias tees, reconnect the cable to the bridge and continue testing at [“Checking the A34, A35, A36, and A37 60-dB Source Step Attenuators” on page 4-37](#)
- If the 800 MHz signal is present and the analyzer does not have source attenuators and bias tees, replace the test port coupler. Refer to [“Removing and Replacing the A29–A32 Test Port Couplers” on page 7-42.](#)

Checking the A34, A35, A36, and A37 60-dB Source Step Attenuators

1. Locate the appropriate semirigid cable at the output of the source step attenuator to be checked:
 - Options 219, 224, 419, and 423
 - Port 1; W72 of A34
 - Port 2; W84 of A37
 - Port 3; W76 of A35
 - Port 4; W80 of A36
2. Using a 5/16-inch torque wrench, disconnect the semirigid cable at the step attenuator.
3. Connect the spectrum analyzer to the open step attenuator connector. Set the spectrum analyzer to measure a signal at 800 MHz.
4. If the 800 MHz signal is not present, replace the source step attenuator. Refer to [“Removing and Replacing the A34–A37 Source Attenuators, the A38–A41 Bias Tees, and the A42–A45 Receiver Attenuators”](#) on page 7-46.
5. If the 800 MHz signal is present, replace the associated bias tee. Refer to [“Removing and Replacing the A34–A37 Source Attenuators, the A38–A41 Bias Tees, and the A42–A45 Receiver Attenuators”](#) on page 7-46.

Checking the A46, A47, A48, and A49 Mechanical Switches

1. Locate the appropriate semirigid cable at the output of the mechanical switch to be checked:
 - Options 224 and 423
 - Port 1; W96 of A46
 - Port 2; W110 of A49
 - Port 3; W102 of A47
 - Port 4; W106 of A48
2. Using a 5/16-inch torque wrench, disconnect the semirigid cable at the bypass switch.
3. Connect the spectrum analyzer to the open bypass switch connector. Set the spectrum analyzer to measure a signal at 800 MHz.
4. If the 800 MHz signal is not present, replace the mechanical switch. Refer to [“Removing and Replacing the A46–A49 Bypass Switches and the A50 Combiner”](#) on page 7-50.
5. If the 800 MHz signal is present, replace the associated bridge. Refer to [“Removing and Replacing the A25–A28 Bridges and Bridge Mounting Brackets”](#) on page 7-40.

Checking the Receiver Group

Equipment Used for These Tests

Equipment Type	Model or Part Number	Alternate Model or Part Number
Spectrum analyzer	8565E	856xE ^a

- a. Must be capable of measuring signals at 7.61 MHz and 1 GHz.

For all of the following checks, refer to the block diagrams at the end of this chapter and to any of the following that are appropriate:

- “2-Port Configuration, Option 200” on page 6-19
- “Bottom RF Cables, Standard 2-Port Configuration, Option 200” on page 6-21
- “Bottom Assemblies, 2-Port, Options 200/219” on page 6-25
- “Bottom RF Cables, 2-Port, Options 200/219” on page 6-27
- “Bottom Assemblies, 2-Port, Options 200/219/224” on page 6-49
- “Bottom RF Cables, 2-Port, Options 200/219/224” on page 6-51
- “Bottom Assemblies, Standard 4-Port Configuration, Option 400” on page 6-73
- “Bottom RF Cables, Standard 4-Port Configuration, Option 400” on page 6-75
- “Bottom Assemblies, 4-Port, Options 400/419” on page 6-79
- “Bottom RF Cables, 4-Port, Options 400/419 (Ports 1 and 2)” on page 6-81
- “Bottom RF Cables, 4-Port, Options 400/419 (Ports 3 and 4)” on page 6-83
- “Bottom Assemblies, 4-Port, Options 400/419/423” on page 6-112
- “Bottom RF Cables, 4-Port, Options 400/419/423 (Ports 1 and 2)” on page 6-114
- “Bottom RF Cables, 4-Port, Options 400/419/423 (Ports 3 and 4)” on page 6-116

Getting Ready to Test

Before checking the assemblies, you must open the analyzer.

CAUTION Use an antistatic work surface and wrist strap to reduce the chance of electrostatic discharge for all of the procedures in this chapter.

1. Turn off the analyzer power.
2. Unplug the power to the analyzer and disconnect all front and rear panel connections except installed jumpers.
3. Remove the outer and inner covers from the analyzer. Refer to “Removing the Covers” on page 7-6.

WARNING Procedures described in this document are performed with power supplied to the product while protective covers are removed. Energy available at many points may, if contacted, result in personal injury.

4. With the covers off, plug in the analyzer and turn on the power.

CAUTION Do not operate the analyzer with the outer cover removed for more than 30 minutes, as this could cause the analyzer to overheat which could result in costly damage.

Checking the A23 and A24 Mixer Brick Receiver Outputs

Set the network analyzer for an S11 measurement with a CW frequency of 1 GHz.

1. Locate the following flexible cables at the receiver IF outputs of the mixer brick(s).
 - 2-port models
 - Receiver A; W51 of A23
 - Receiver R1; W52 of A23
 - Receiver R2; W53 of A23
 - Receiver B; W54 of A23
 - 4-port models
 - Receiver A; W51 of A23
 - Receiver R1; W52 of A23
 - Receiver R2; W53 of A23
 - Receiver B; W54 of A23
 - Receiver C; W55 of A24
 - Receiver R3; W56 of A24
 - Receiver R4; W57 of A24
 - Receiver D; W58 of A24
2. Disconnect the flexible cable at the suspect receiver.
3. Connect the spectrum analyzer to the suspect receiver connector.
4. The measured signal on the spectrum analyzer should be at 7.61 MHz.
 - If the measured signal is present, continue testing at [“Checking the A20 IF Multiplexer Board” on page 4-40.](#)
5. If the measured signal is missing on the R1 receiver, continue testing at [“Checking the A33 Reference Mixer Switch” on page 4-39.](#)

If the measured signal is missing on any receiver (other than the R1 receiver noted above) and the analyzer does not have receiver attenuators, replace the A23 or A24 mixer brick, whichever is appropriate. Refer to [“Removing and Replacing the A23 and A24 Mixer Bricks” on page 7-38.](#)

If the measured signal is missing on the A, B, C, or D receivers and the analyzer has receiver attenuators, continue testing at [“Checking the A42, A43, A44, and A45 35-dB Receiver Step Attenuators” on page 4-40.](#)

Checking the A33 Reference Mixer Switch

1. Remove the front panel REF 1 jumper and connect a spectrum analyzer to the front-panel REF 1 SOURCE

OUT connector.

2. If the measured signal is present, replace the A23 mixer brick. Refer to [“Removing and Replacing the A23 and A24 Mixer Bricks”](#) on page 7-38.
3. If the measured signal is not present replace the A33 reference mixer switch. Refer to [“Removing and Replacing the A33 Reference Mixer Switch”](#) on page 7-44.

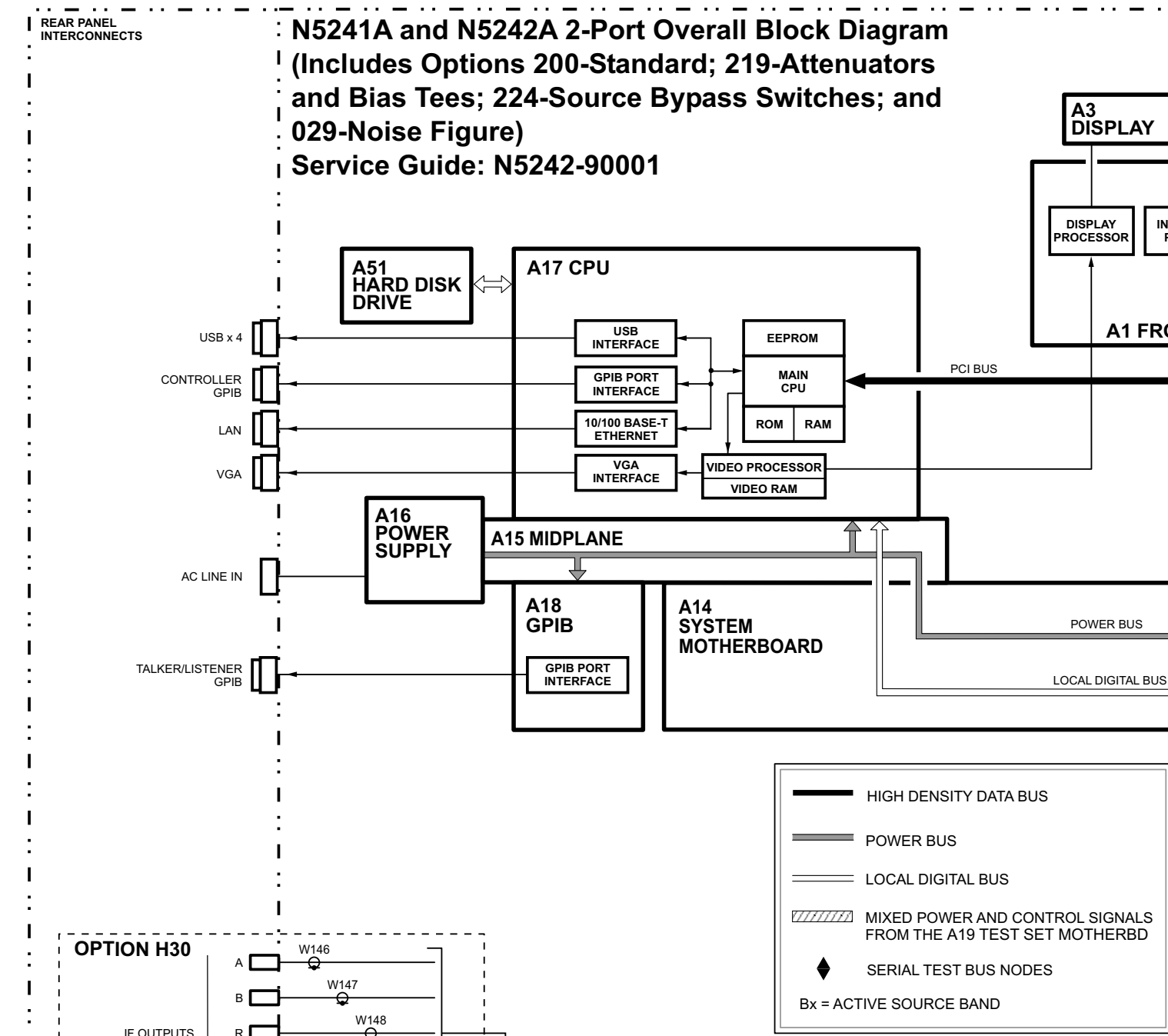
Checking the A42, A43, A44, and A45 35-dB Receiver Step Attenuators

1. Locate the appropriate semirigid cable at the output of the receiver step attenuator to be checked:
 - Options 219, 224, 419, and 423
 - Port 1; W88 of A34
 - Port 2; W94 of A37
 - Port 3; W90 of A35
 - Port 4; W92 of A36
2. Disconnect the appropriate semirigid cable from the output of the step attenuator.
3. Connect the spectrum analyzer to the open step attenuator connector. Set the spectrum analyzer to measure a signal at 800 MHz.
4. If the 800 MHz signal is not present, replace the receiver step attenuator. Refer to [“Removing and Replacing the A34–A37 Source Attenuators, the A38–A41 Bias Tees, and the A42–A45 Receiver Attenuators”](#) on page 7-46.
5. If the 800 MHz signal is present, replace the associated mixer brick, A23 or A24. Refer to [“Removing and Replacing the A23 and A24 Mixer Bricks”](#) on page 7-38.

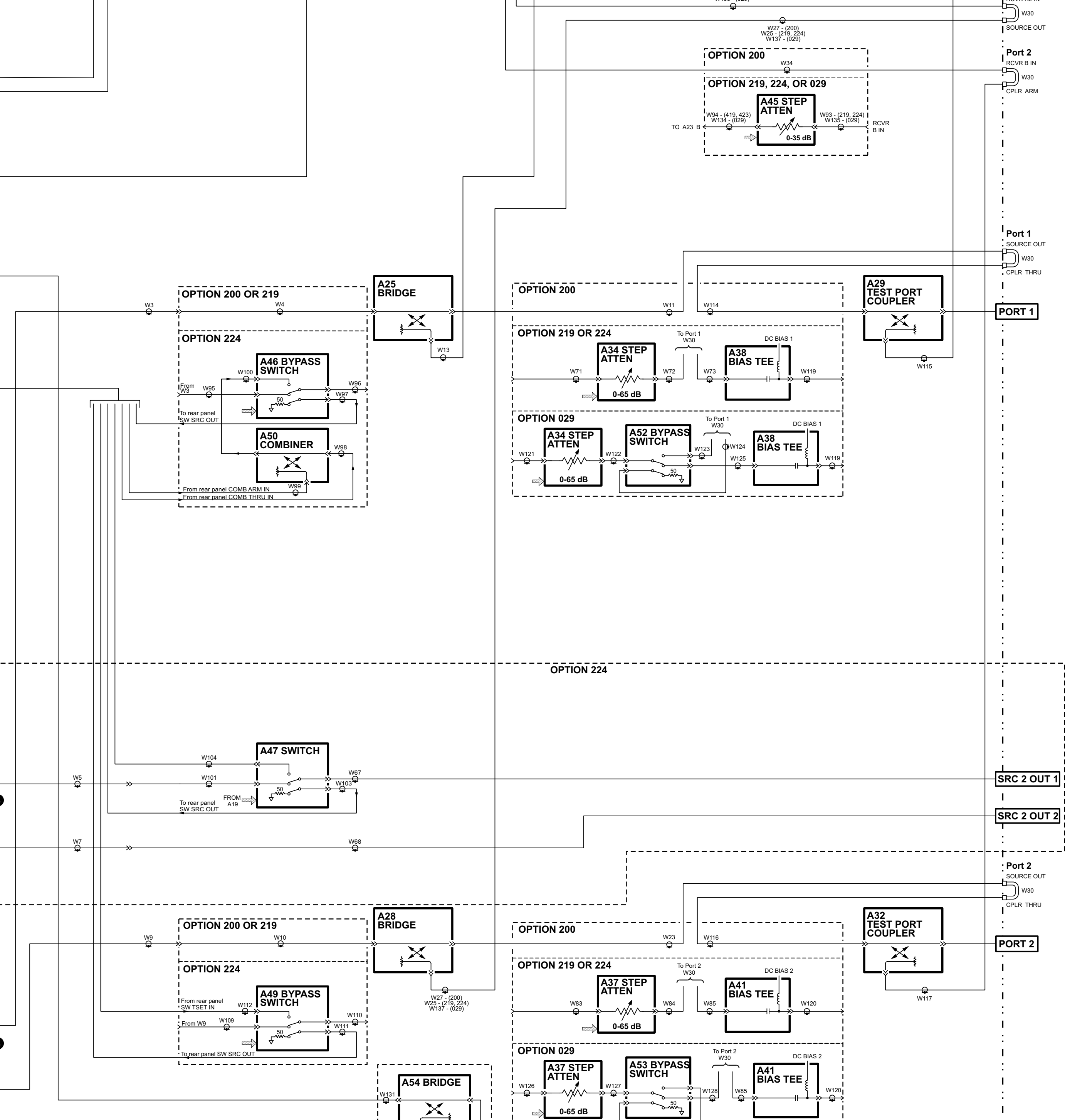
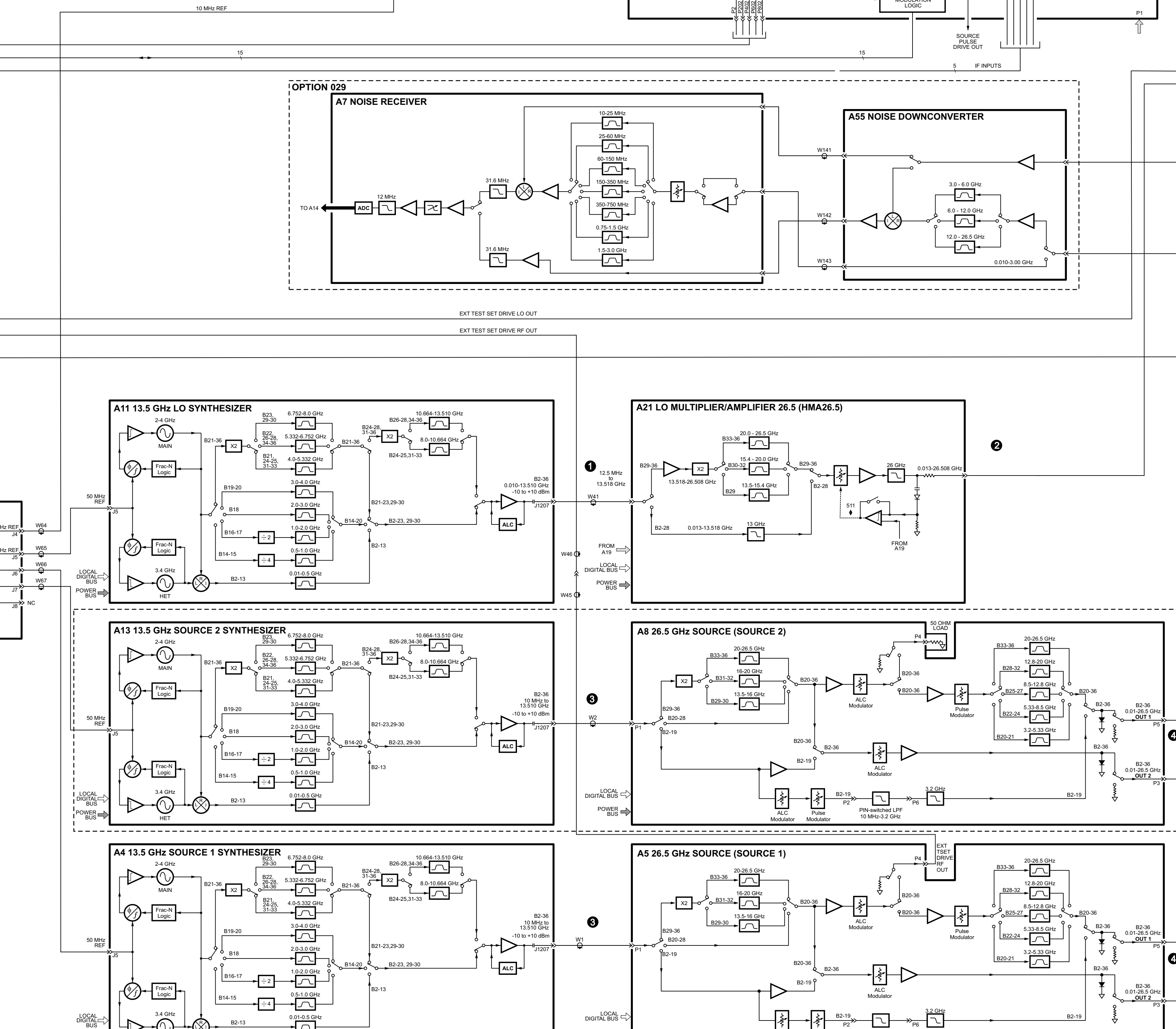
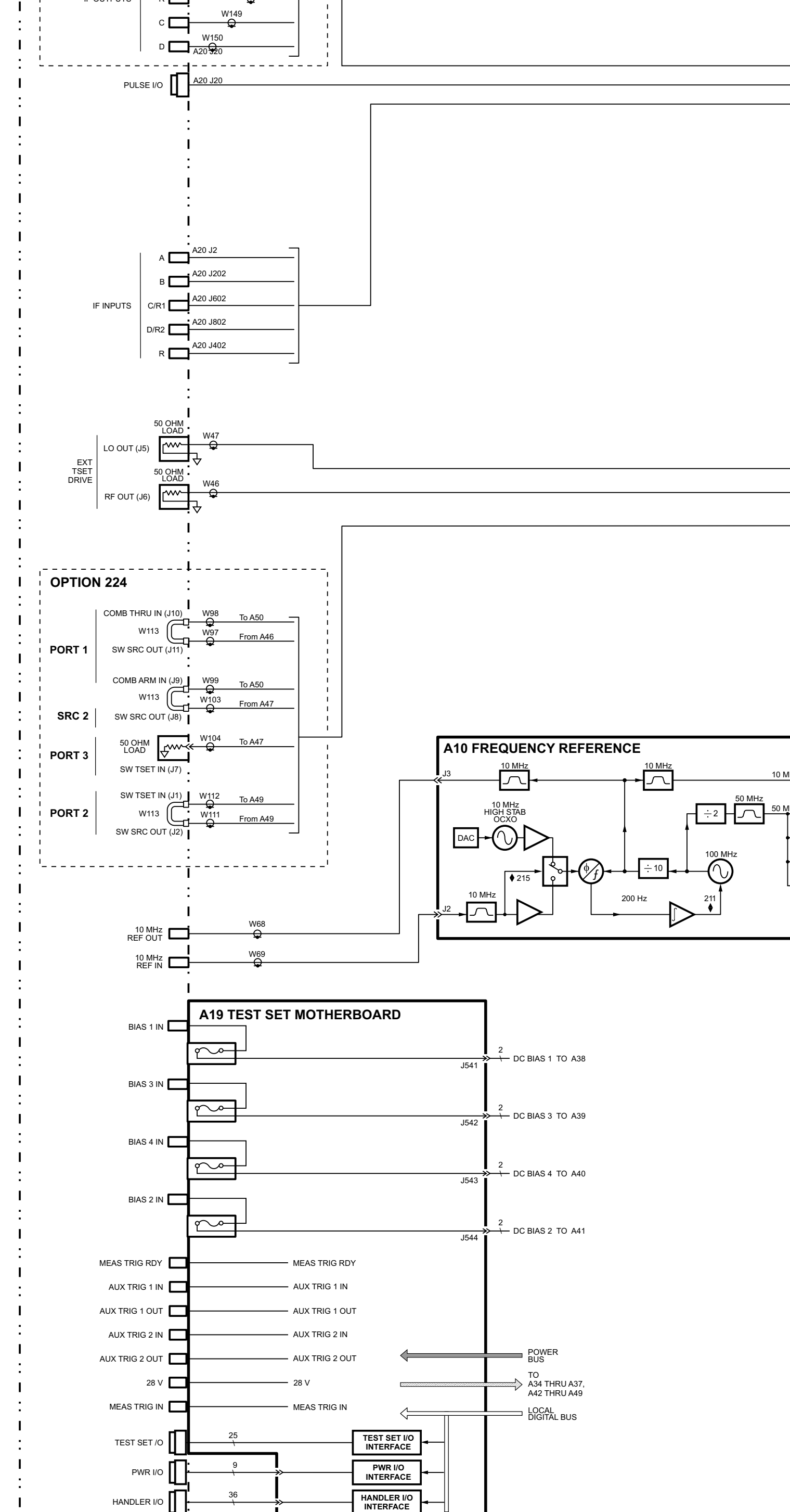
Checking the A20 IF Multiplexer Board

1. Locate each of the flexible RF cables at the output receivers of the IF multiplexer board:
 - 2-port models
 - Receiver A; W59
 - Receiver R1; W60
 - Receiver R2; W61
 - Receiver B; W62
 - 4-port models
 - Receiver A; W59
 - Receiver B; W60
 - Receiver C; W61
 - Receiver D; W62
 - Receiver R; W63
2. Disconnect the appropriate flexible RF cable from the output receiver to be tested on the A20 IF multiplexer board.

3. Connect the spectrum analyzer to the open connector.
4. The measured signal on the spectrum analyzer should be at 7.61 MHz.
5. If the measured signal is present, replace the A12 SPAM board. Refer to [“Removing and Replacing the A4–A13 Boards \(For analyzers with serial numbers prefixed MY/SG/US5150 and below.\)”](#) on page 7-14.
6. If the measured signal is not present replace the A20 IF multiplexer board. Refer to [“Removing and Replacing the A20 IF Multiplexer Board”](#) on page 7-32.



Band	Mixer Brick L.O. Harmonic Number	A11 Synthesizer Frequency (GHz)	A21 MA26.5 Frequency (GHz)	A4/A17 Synthesizer Frequency (GHz)	A5/A8 Source Frequency (GHz)
0	-	-	-	-	-
1	1	0.01254 to 0.01654	0.01254 to 0.01654	0.010 to 0.014	0.010 to 0.014
2	1	0.01654 to 0.02154	0.01654 to 0.02154	0.014 to 0.019	0.014 to 0.019
3	1	0.02154 to 0.02654	0.02154 to 0.02654	0.019 to 0.027	0.019 to 0.027
4	1	0.02654 to 0.03154	0.02654 to 0.03154	0.027 to 0.038	0.027 to 0.038
5	1	0.03154 to 0.03654	0.03154 to 0.03654	0.038 to 0.053	0.038 to 0.053
6	1	0.03654 to 0.04154	0.03654 to 0.04154	0.053 to 0.075	0.053 to 0.075
7	1	0.04154 to 0.04654	0.04154 to 0.04654	0.075 to 0.105	0.075 to 0.105
8	1	0.04654 to 0.05154	0.04654 to 0.05154	0.105 to 0.146	0.105 to 0.146
9	1	0.05154 to 0.05654	0.05154 to 0.05654	0.146 to 0.205	0.146 to 0.205
10	1	0.05654 to 0.06154	0.05654 to 0.06154	0.205 to 0.250	0.205 to 0.250
11	1	0.06154 to 0.06654	0.06154 to 0.06654	0.250 to 0.396	0.250 to 0.396
12	1	0.06654 to 0.07154	0.06654 to 0.07154	0.396 to 0.500	0.396 to 0.500
13	1	0.07154 to 0.07654	0.07154 to 0.07654	0.500 to 0.628	0.500 to 0.628
14	1	0.07654 to 0.08154	0.07654 to 0.08154	0.628 to 1.000	0.628 to 1.000
15	1	0.08154 to 0.08654	0.08154 to 0.08654	1.000 to 1.500	1.000 to 1.500
16	1	0.08654 to 0.09154	0.08654 to 0.09154	1.500 to 2.000	1.500 to 2.000
17	1	0.09154 to 0.09654	0.09154 to 0.09654	2.000 to 3.000	2.000 to 3.000
18	1	0.09654 to 0.10154	0.09654 to 0.10154	3.000 to 3.200	3.000 to 3.200
19	1	0.10154 to 0.10654	0.10154 to 0.10654	3.200 to 4.000	3.200 to 4.000
20	1	0.10654 to 0.11154	0.10654 to 0.11154	4.000 to 5.332	4.000 to 5.332
21	1	0.11154 to 0.11654	0.11154 to 0.11654	5.332 to 6.752	5.332 to 6.752
22	1	0.11654 to 0.12154	0.11654 to 0.12154	6.752 to 8.000	6.752 to 8.000
23	1	0.12154 to 0.12654	0.12154 to 0.12654	8.000 to 8.500	8.000 to 8.500
24	1	0.12654 to 0.13154	0.12654 to 0.13154	8.500 to 10.664	8.500 to 10.664
25	1	0.13154 to 0.13654	0.13154 to 0.13654	10.664 to 12.000	10.664 to 12.000
26	1	0.13654 to 0.14154	0.13654 to 0.14154	12.000 to 12.800	12.000 to 12.800
27	1	0.14154 to 0.14654	0.14154 to 0.14654	12.800 to 13.510	12.800 to 13.510
28	1	0.14654 to 0.15154	0.14654 to 0.15154	13.510 to 15.400	13.510 to 15.400
29	1	0.15154 to 0.15654	0.15154 to 0.15654	15.400 to 16.000	15.400 to 16.000
30	1	0.15654 to 0.16154	0.15654 to 0.16154	16.000 to 18.000	16.000 to 18.000
31	1	0.16154 to 0.16654	0.16154 to 0.16654	18.000 to 20.000	18.000 to 20.000
32	1	0.16654 to 0.17154	0.16654 to 0.17154	20.000 to 21.328	20.000 to 21.328
33	1	0.17154 to 0.17654	0.17154 to 0.17654	21.328 to 22.500	21.328 to 22.500
34	1	0.17654 to 0.18154	0.17654 to 0.18154	22.500 to 24.000	22.500 to 24.000
35	1	0.18154 to 0.18654	0.18154 to 0.18654	24.000 to 26.500	24.000 to 26.500



5 Theory of Operation

Information in This Chapter

This chapter provides a general description of the operating theory of the N5241A/42A 2-port and 4-port PNA microwave network analyzers.

- Theory of operation is explained to the assembly level only.
- Component-level circuit theory is not provided.
- Simplified block diagrams are included for each functional group.
- More detailed block diagrams are located at the end of [Chapter 4, “Troubleshooting.”](#)

IMPORTANT Although simplified block diagrams are included within the description of each functional group, it is recommended that the more detailed block diagrams, located at the end of [Chapter 4](#), be available for reference, as you read the information in this chapter.

Chapter Five at-a-Glance

Section Title	Summary of Content	Start Page
Network Analyzer System Operation	A summary of the theory of operation for the analyzer. A summary of the operation of the major functional groups of the analyzer.	Page 5-3
Synthesized Source Group Operation	Operation of the assemblies associated with the source group.	Page 5-7
Signal Separation Group Operation	Operation of the assemblies associated with signal separation, including the operation of optional source attenuators, mechanical switches, and bias tees.	Page 5-16
Receiver Group Operation	Operation of the assemblies associated with the receiver group including the operation of optional receiver attenuators.	Page 5-21
Noise Measurement Group Operation (Option 029)	Operation of the assemblies associated with the noise measurement group.	Page 5-27
Digital Processing and Digital Control Group Operation	Operation of the assemblies associated with digital processing and digital control.	Page 5-30
Power Supply Group Operation	Operation of the power supply assembly group.	Page 5-35

Network Analyzer System Operation

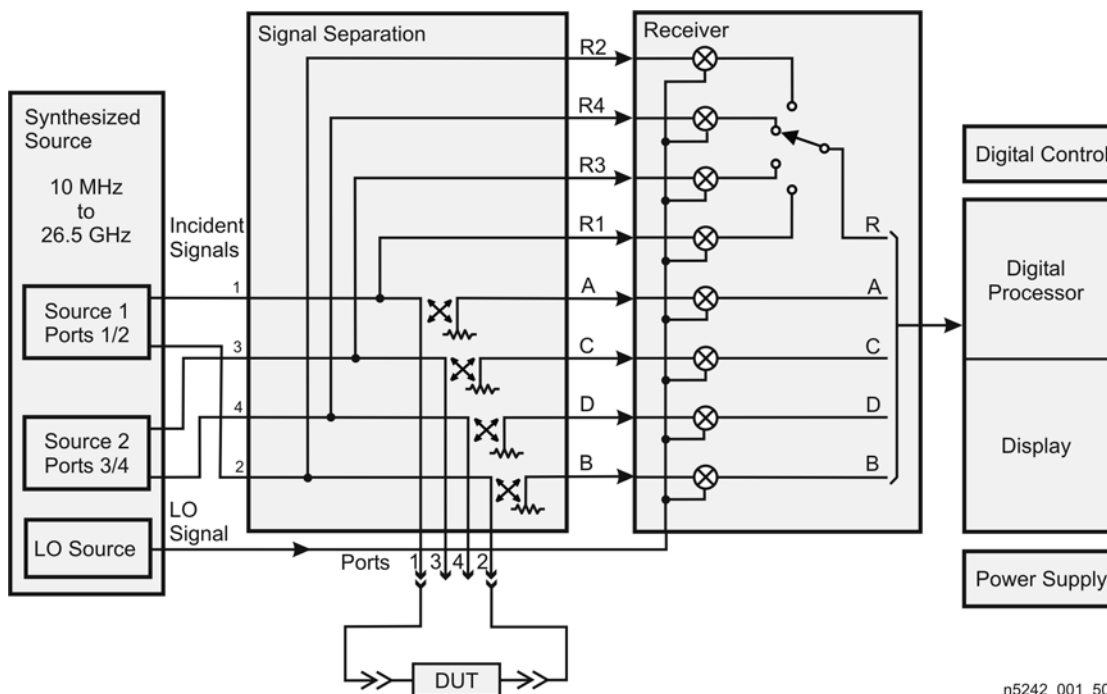
The PNA network analyzer generates two (2-port models) or four (4-port models) phase-locked incident signals and an LO signal from the internal synthesized source. By means of signal separation, the incident signals are divided into reference signals and test signals.

The reference signals are applied to the receiver group, while the test signals are applied to the device under test (DUT) and then to the receiver group. The LO signal is applied directly to the receiver group where it is mixed with the test and reference signals to produce IF signals for each of the eight receivers (A–D, R1–R4) for 4-port models or four receivers (A, B, R1, R2) for 2-port models. These IF signals are downconverted and then sampled and digitally processed.

If configured with the optional 2nd source, the 2-port models provide two auxiliary source outputs, SRC 2 OUT 1 and SRC 2 OUT 2.

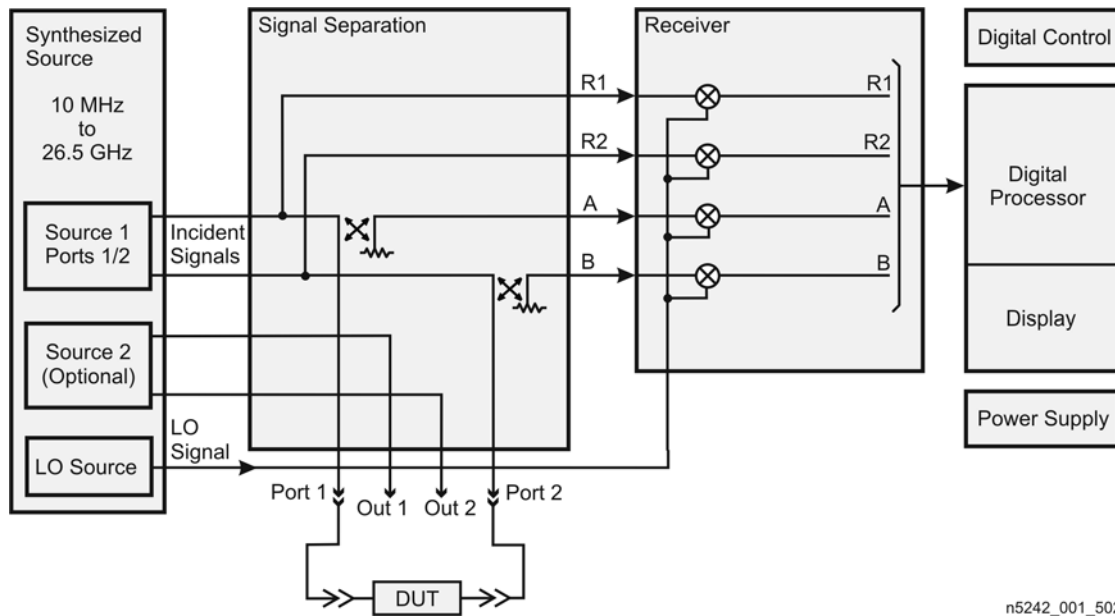
Figure 5-1 is a simplified block diagram of the 4-port network analyzer system and Figure 5-2 is a simplified block diagram of the 2-port network analyzer system.

Figure 5-1 4-Port System Simplified Block Diagram



n5242_001_501

Figure 5-2 2-Port System Simplified Block Diagram



Functional Groups of the Network Analyzer

The operation of the network analyzer can be separated into major functional groups. Each group consists of assemblies that perform a distinct function in the instrument. Some of the assemblies are related to more than one group, and all of the groups, to some extent, are interrelated and affect each other's performance. The major functional groups are:

- Synthesized Source Group
- Signal Separation Group
- Receiver Group
- Noise Measurement Group (Option 029)
- Digital Processor and Digital Control Group
- Power Supply Group

Synthesized Source Group

The built-in synthesized source generates a swept, stepped, or continuous wave (CW) signal in the frequency ranges as listed in [Table 5-1](#). The source group provides five signals: an LO signal and four incident signals. The LO signal and the four incident signals are offset in frequency by the receiver IF of 7.606 MHz (at tuned frequencies below 53 MHz the IF and the offset is 2.535 MHz).

The LO signal is sent directly to the mixers in the receiver group. The incident signals are routed to the front panel test ports and then to the device under test (DUT) as the test signal. A portion of each incident signal is coupled off (in the signal separation group) and sent to the mixers in the receiver group as reference signals. These reference signals are compared (mixed) with the LO signal in the receiver group to produce the 7.606 MHz (or 2.535 MHz at frequencies below 53 MHz) IF signal.

The incident signal output power is leveled by an internal automatic leveling control (ALC) circuit. The maximum output power level of the network analyzer at the test ports is shown in [Table 5-1](#).

Refer to “[Synthesized Source Group Operation](#)” on page 5-7.

Table 5-1 Frequency Range and Maximum Output Power Level

Options	Nominal Output Power at Instrument Preset	Maximum Leveled Output Power (in dBm)								
		Ports	10 MHz to 50 MHz	50 MHz to 500MHz	500 MHz to 3.2 GHz	3.2 GHz to 10 GHz	10 GHz to 16 GHz	16 MHz to 20 GHz	20 GHz to 24 GHz	24 GHz to 26.5 GHz
200	0 dBm	1	+8	+10	+10	+13	+13	+13	+12	+5
	0 dBm	2	+13	+13	+13	+13	+13	+10	+7	+2
219	-5 dBm	1	+8	+10	+10	+13	+12	+10	+8	+3
	-5 dBm	2	+13	+13	+13	+13	+11	+8	+7	-1
224	-5 dBm	1	+7	+8	+8	+13	+12	+10	+7	0
	-5 dBm	2	+13	+13	+13	+13	+10	+7	+5	-2
	+5 dBm	SRC 2 OUT 1	+9	+11	+10	+18	+16	+15	+13	+7
	+5 dBm	SRC 2 OUT 2	+13	+17	+14	+18	+16	+13	+12	+5
400	0 dBm	1, 3	+8	+10	+10	+13	+13	+13	+12	+5
	0 dBm	2, 4	+13	+13	+13	+13	+13	+10	+7	+2
419	-5 dBm	1, 3	+8	+10	+10	+13	+12	+10	+8	+3
	-5 dBm	2, 4	+13	+13	+13	+13	+11	+8	+7	-1
423	-5 dBm	1, 3	+7	+8	+8	+13	+12	+10	+7	0
	-5 dBm	2, 4	+13	+13	+13	+13	+10	+7	+5	-2

Signal Separation Group

Each of the incident signals from the source group is separated into a reference path and a test path. The reference signal is transmitted to the receiver group. The test signal is transmitted through—and reflected from—the DUT and is then transmitted to the receiver group.

The signal separation group includes:

- RF path switching to allow forward and reverse measurements
- external connections for the DUT (configurable test set)
- optional step attenuators in the source and receiver paths
- optional mechanical switches
- optional bias tees

Refer to [“Signal Separation Group Operation” on page 5-16](#).

Receiver Group

The receiver converts the test and reference signals to 7.606 MHz intermediate frequency (IF) signals for signal processing, retaining both magnitude and phase characteristics. The IF signals are converted to digital information by the digital processing group.

Refer to [“Receiver Group Operation” on page 5-21](#).

Noise Measurement Group (Option 029)

The noise measurement group measures the noise figure using the cold source technique up to 26.5 GHz. It converts the noise signals to intermediate frequency (IF) signals. The IF signals are then processed, sampled, and converted into digital information. The noise measurement group also enables fully-corrected noise figure measurements using an Agilent Electronic Calibration (ECal) Module (ordered separately), configured as an impedance tuner.

Refer to [“Noise Measurement Group Operation \(Option 029\)” on page 5-27](#).

Digital Processor and Digital Control Group

The digital processor and digital control group are divided into a front panel group and a data acquisition and processing group. The front panel group provides communication to the network analyzer. The data acquisition and processing group provides the output to the display, in addition to signal processing and analyzer control.

Refer to [“Digital Processing and Digital Control Group Operation” on page 5-30](#).

Power Supply Group

The power supply functional group provides power for the other assemblies in the instrument.

Refer to [“Power Supply Group Operation” on page 5-35](#).

Synthesized Source Group Operation

The source group produces a stable output signal by phase locking a synthesized voltage-controlled oscillator (VCO). Refer to [Table 5-2 on page 5-9](#) for the full frequency range of the source. The outputs at the front panel test ports are swept, stepped or CW signals. Maximum leveled output powers are listed in [Table 5-1 on page 5-5](#). For a simple block diagram of the source group, refer to [Figure 5-3 on page 5-8](#).

In this section the following are described:

- [Basic Operation](#)
- [A4, A13, and A11 13.5 GHz Synthesizer Boards](#)
- [A5 and A8 26.5 GHz Source Boards](#)
- [A21 Multiplier/Amplifier 26.5 Board \(HMA26.5\)](#)
- [A10 Frequency Reference Board](#) (including rear-panel interconnects)
- [A19 Test Set Motherboard](#) (including rear-panel interconnects)

Basic Operation

[Table 5-2 on page 5-9](#) lists the L.O. harmonic number, the synthesizer frequencies (A4, A13, and A11), and the main source frequency (A5 and A8) within the analyzer for each band. This table is referred to throughout this chapter and also appears on the overall block diagram at the end of [Chapter 4, "Troubleshooting."](#)

The A10 frequency reference board produces a constant phase locked reference signal of 50 MHz that is sent to the A4, A13, and A11 13.5 GHz synthesizer boards.

The A11 13.5 GHz synthesizer board produces an LO signal that is sent through the A21 multiplier/amplifier 26.5 to the A23 and A24 mixer bricks (via the A22 splitter). The frequency is synthesized such that the mixing product of this LO signal with the test signal output is a constant 7.606 MHz IF; except for frequencies below 53 MHz when the IF is 2.535 MHz. This IF signal is sent to the A12 SPAM board for digital processing.

The A4 and A13 13.5 GHz synthesizer boards each produce an incident signal that is sent to the front panel outputs. A portion of these signals are coupled off and sent to the A23 and A24 mixer bricks (A–D and R1–R4) where they are mixed with the LO signal from the A22 splitter to produce the 7.606 MHz (or 2.535 MHz) IF signal.

The A4, A13, and A11 13.5 GHz synthesizer boards each contain their own phase lock circuitry. The A11 board is used to phase lock the LO signal while the A4 and A13 boards are used to phase lock the test signal. This makes it possible for the LO signal to be tuned to a different frequency than the test signal, which is necessary since the LO signal is normally 7.606 MHz higher than the test signal. Since the A4, A13, and A11 13.5 GHz synthesizer boards each receive their 50 MHz input reference signal from the exact same source, frequency drift error is eliminated.

Figure 5-3 Source Group

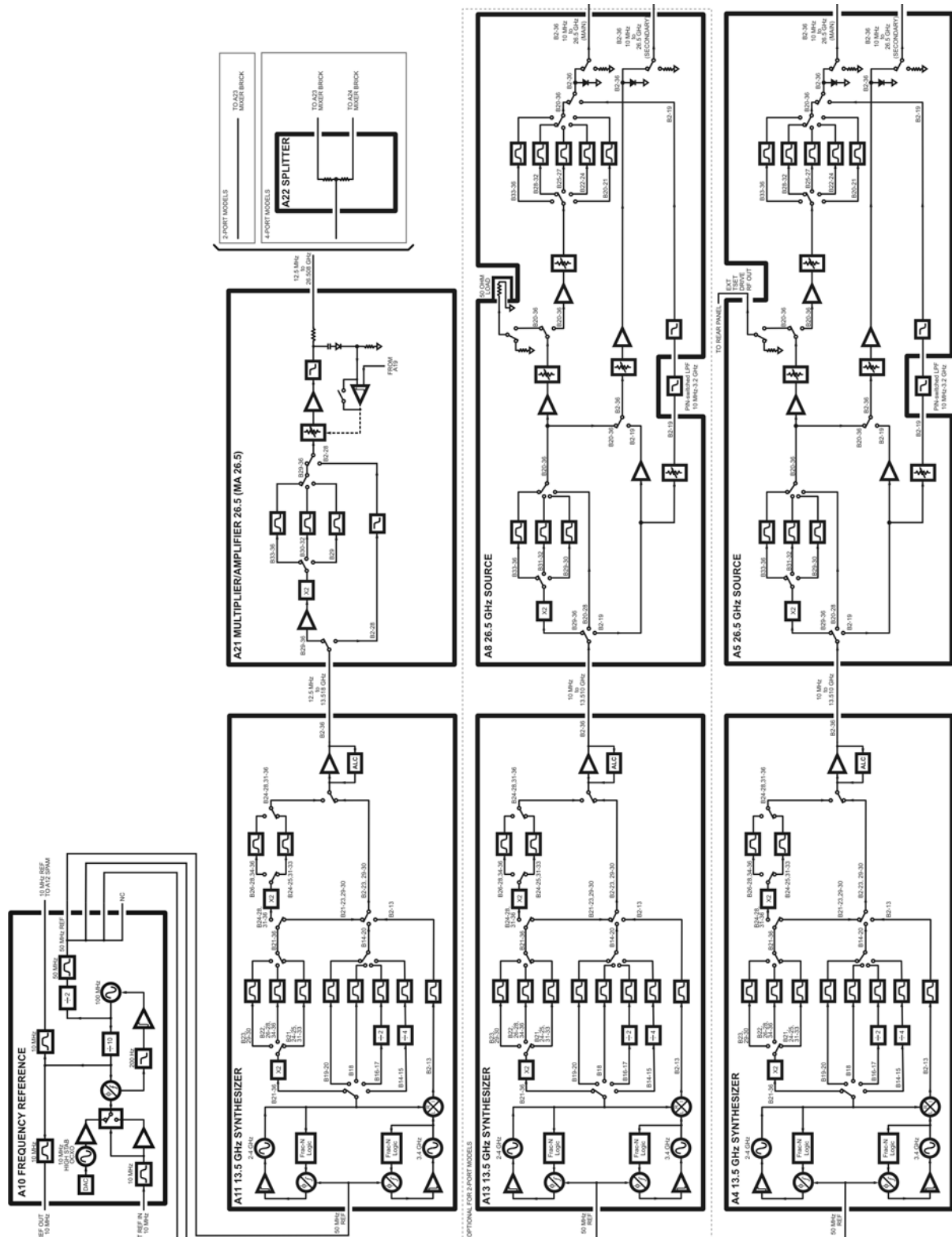


Table 5-2 Subsweep Frequencies

Band	Mixer Brick L.O. Harmonic Number (N)	①	②	③	④
		A11 Synthesizer Frequency (GHz)	A21 HMA26.5 Frequency (GHz)	A4/A13 Synthesizer Frequency (GHz)	A5/A8 Source Frequency (GHz)
0	-	-	-	-	-
1	-	-	-	-	-
2	1	0.01254 to 0.01654	0.01254 to 0.01654	0.010 to 0.014	0.010 to 0.014
3	1	0.01654 to 0.02154	0.01654 to 0.02154	0.014 to 0.019	0.014 to 0.019
4	1	0.02154 to 0.02954	0.02154 to 0.02954	0.019 to 0.027	0.019 to 0.027
5	1	0.02954 to 0.04054	0.02954 to 0.04054	0.027 to 0.038	0.027 to 0.038
6	1	0.04054 to 0.05554	0.04054 to 0.05554	0.038 to 0.053	0.038 to 0.053
7	1	0.06061 to 0.08261	0.06061 to 0.08261	0.053 to 0.075	0.053 to 0.075
8	1	0.08261 to 0.11261	0.08261 to 0.11261	0.075 to 0.105	0.075 to 0.105
9	1	0.11261 to 0.15361	0.11261 to 0.15361	0.105 to 0.146	0.105 to 0.146
10	1	0.15361 to 0.21261	0.15361 to 0.21261	0.146 to 0.205	0.146 to 0.205
11	1	0.21261 to 0.25761	0.21261 to 0.25761	0.205 to 0.250	0.205 to 0.250
12	1	0.25761 to 0.40361	0.25761 to 0.40361	0.250 to 0.396	0.250 to 0.396
13	1	0.40361 to 0.50761	0.40361 to 0.50761	0.396 to 0.500	0.396 to 0.500
14	1	0.50761 to 0.63561	0.50761 to 0.63561	0.500 to 0.628	0.500 to 0.628
15	1	0.63661 to 1.00761	0.63661 to 1.00761	0.628 to 1.000	0.628 to 1.000
16	1	1.00761 to 1.50761	1.00761 to 1.50761	1.000 to 1.500	1.000 to 1.500
17	1	1.50761 to 2.00761	1.50761 to 2.00761	1.500 to 2.000	1.500 to 2.000
18	1	2.00761 to 3.00761	2.00761 to 3.00761	2.000 to 3.000	2.000 to 3.000
19	1	3.00761 to 3.20761	3.00761 to 3.20761	3.000 to 3.200	3.000 to 3.200
20	1	3.20761 to 4.00761	3.20761 to 4.00761	3.200 to 4.000	3.200 to 4.000
21	1	4.00761 to 5.33961	4.00761 to 5.33961	4.000 to 5.332	4.000 to 5.332
22	1	5.33961 to 6.75961	5.33961 to 6.75961	5.332 to 6.752	5.332 to 6.752
23	1	6.75961 to 8.00761	6.75961 to 8.00761	6.752 to 8.000	6.752 to 8.000
24	1	8.00761 to 8.50761	8.00761 to 8.50761	8.000 to 8.500	8.000 to 8.500
25	1	8.50761 to 10.67161	8.50761 to 10.67161	8.500 to 10.664	8.500 to 10.664
26	1	10.67161 to 12.00761	10.67161 to 12.00761	10.664 to 12.000	10.664 to 12.000
27	1	12.00761 to 12.80761	12.00761 to 12.80761	12.000 to 12.800	12.000 to 12.800
28	1	12.80761 to 13.51761	12.80761 to 13.51761	12.800 to 13.510	12.800 to 13.510
29	1	6.758803 to 7.703803	13.51761 to 15.40761	6.755 to 7.700	13.510 to 15.400
30	1	7.703803 to 8.003803	15.40761 to 16.00761	7.700 to 8.000	15.400 to 16.000
31	1	8.003803 to 9.003803	16.00761 to 18.00761	8.000 to 9.000	16.000 to 18.000
32	1	9.003803 to 10.00381	18.00761 to 20.00761	9.000 to 10.000	18.000 to 20.000
33	1	10.00381 to 10.66781	20.00761 to 21.33561	10.000 to 10.664	20.000 to 21.328
34	1	10.66781 to 11.25381	21.33561 to 22.50761	10.664 to 11.250	21.328 to 22.500
35	1	11.25381 to 12.00381	22.50761 to 24.00761	11.250 to 12.000	22.500 to 24.000
36	1	12.00381 to 13.25381	24.00761 to 26.50761	12.000 to 13.250	24.000 to 26.500

A4, A13, and A11 13.5 GHz Synthesizer Boards

On 2-ports models, the A13 13.5 GHz synthesizer board is optional and included only with Option 224.

The A4, A13, and A11 13.5 GHz synthesizer boards use the 50 MHz reference signal from the A10 frequency reference board to tune two VCO circuits: one that sweeps from 2 GHz to 4 GHz and one that is set to a fixed CW frequency of 3.4 GHz.

In bands 2-13, the 3.4 GHz signal is mixed with 3.41 GHz to 3.90 GHz signals from the 2–4 –GHz oscillator to produce the output frequencies of 10 MHz to 500 MHz as listed in [Table 5-2](#).

In bands 14 and 15, the output of the swept VCO is passed through a divide-by-4 circuit to produce the output frequencies listed in [Table 5-2](#).

In bands 16 and 17, the swept VCO signal is passed through a divide-by-2 circuit to produce the output frequencies listed in [Table 5-2](#).

In bands 18–20, the swept VCO signal is passed directly to the output of the synthesizer board to produce the output frequencies listed in [Table 5-2](#).

In bands 21–36, the swept VCO signal is passed through a doubler circuit where bands 21–23 and 29–30 are sent directly to the output of the synthesizer board while bands 26–28 and 34–36 are passed through another doubler circuit then to the output of the synthesizer board to produce the output frequencies listed in [Table 5-2](#).

The output of the A11 13.5 GHz synthesizer board (the LO synthesizer) is 7.606 MHz higher than the output of the A4 and A13 13.5 GHz synthesizer boards (the source synthesizers). This is because the output of the A11 13.5 GHz synthesizer board is routed through the A21 multiplier/amplifier 26.5 board to the A23 and A24 mixer bricks where they are mixed with the test signals to produce a 7.606 MHz IF signal for each of eight receivers (A–D and R1–R4). Refer to [“A23 and A24 Mixer Bricks” on page 5-21](#) for a more complete description.

A5 and A8 26.5 GHz Source Boards

On 2-port models, the A8 26.5 GHz source board is optional and included only with Option 224.

In bands 2–19, the input signals from the A4 or A13 13.5 GHz synthesizer board are passed through to both outputs (main and secondary) unchanged.

For bands 20–28, the input signals are passed directly to the secondary output or amplified and filtered, then sent to the main output.

For bands 29–36, the input signals are doubled, filtered, and amplified. The signals for these bands are then either passed directly to the secondary output or passed through more amplification and filtering and sent to the main output.

Together these signals for bands 2–36 create the full synthesized source output frequency range of 10 MHz to 26.5 GHz. These output frequencies for each band are listed in [Table 5-2](#).

The A5 26.5 GHz source board provides an EXT TSET DRIVE RF OUT signal to the rear panel. This signal is output in bands 20–36 at a frequency range of 3.2–26.5 GHz for use with an external test set. This output is terminated with a 50-ohm load on the A8 26.5 GHz source.

The companion signal, EXT TEST SET DRIVE LO, is output from the A23 mixer brick. Refer to [“A23 and A24 Mixer Bricks” on page 5-21](#).

A21 Multiplier/Amplifier 26.5 Board (HMA26.5)

In bands 2–28, the synthesized LO input is filtered, amplified, and passed through to the A22 splitter (4-port only). In bands 29–36, the input is amplified, doubled, and filtered, then sent to the output.

Together, these signal paths create the full output frequency range of 12.5 MHz to 26.508 GHz that is sent to the A22 splitter (4-port only) where the signal is divided and sent to the A23 and A24 (4-port only) mixer bricks as the LO signal.

A10 Frequency Reference Board

This assembly provides stable reference frequencies to the rest of the instrument. A high stability 10 MHz oven-controlled crystal oscillator (OCXO) normally provides the frequency standard. However, if a 10 MHz external reference signal is detected at the 10 MHz EXT REF IN port on the rear panel, it is used as the frequency reference instead.

The 10 MHz reference signal is used to phase lock a 100 MHz VCO. The output of this VCO is then divided by ten to produce the 10 MHz EXT REF OUT rear panel signal and also a 10 MHz reference signal for the A12 signal processing ADC module (SPAM) board. The VCO output is also divided by two to produce 50 MHz reference signals for the A4, A13, and A11 13.5 GHz synthesizer boards.

Rear-Panel Interconnects

10 MHz REF INPUT	A BNC connector that allows an external frequency reference signal to be used to phase lock the analyzer for increased frequency accuracy. The analyzer automatically enables the external frequency reference feature when a signal is connected to this input. When the signal is removed, the analyzer automatically switches back to its internal frequency reference.
10 MHz REF OUTPUT	A BNC connector that allows a 10 MHz reference signal, produced by the A10 frequency reference board, to be output for use in phase locking external test equipment.

A19 Test Set Motherboard

The A19 test set motherboard serves these functions:

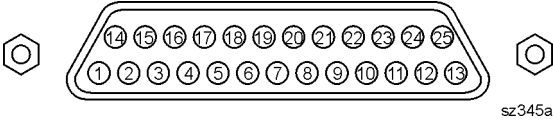
- to act as an interface between the A17 CPU board and the auxiliary rear panel interconnects.
- to provide ALC signals to the A21 HMA26.5.
- to route control signals to the signal separation group. Refer to [“Signal Separation Group Operation” on page 5-16](#) for more information.

Rear Panel Interconnects

The A19 test set motherboard includes the following rear panel interconnects.

TEST SET I/O	<p>A DB-25 female connector that is used to control external test sets. The external test set bus consists of 13 multiplexed address and data lines, three control lines, and an open-collector interrupt line. Pin assignments are listed in Table 5-3 on page 5-13.</p> <p>Up to 16 test sets may be “daisy-chained” on the bus at one time.</p> <p>The Test Set I/O is not compatible with 8753 network analyzer test sets.</p>
HANDLER I/O	<p>A rectangular 36-pin, female connector providing four independent parallel input/output ports, nine control signal lines, one ground, and a power supply line. This connector has Type 2 output pin assignments as listed in Table 5-4 on page 5-14.</p> <p>All signals are TTL-compatible. Data input/output ports consist of two 8-bit output ports (Port A and Port B) and two 4-bit bidirectional ports (Port C and Port D).</p> <p>Connector settings can be changed using SCPI and COM commands. The settings are not accessible from the front panel.</p>
PWR I/O	<p>A DB-9 female connector. Pin assignments are listed in Table 5-5 on page 5-15.</p>

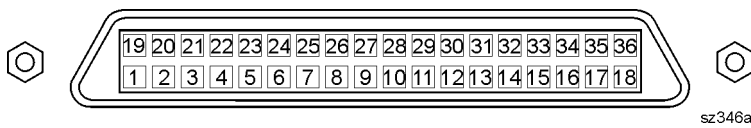
Table 5-3 TEST SET I/O Connector Pin Assignments



DB-25 Female Connector

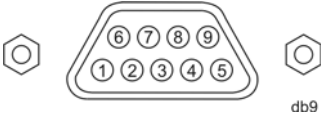
Pin Numbers	Name	Function
1	SEL0	TTL out, test set select bit 0, tied to 0 V
2	Sweep Holdoff In	TTL in, low level holds off sweep
3–6	AD12–AD8	TTL I/O, address and latched data
7	GND	0 V, ground reference
8	LAS	TTL out, active low address strobe (1 μ s min)
9–11	AD4–AD2	TTL I/O, address and latched data
12	GND	0 V, ground reference
13	Interrupt In	TTL in, low level (10 μ s min) aborts sweep
14	+22 V	+22 Vdc, 100 mA max.
15–16	SEL1–2	TTL out, test set select bits 1-2, tied to 0 V
17	AD11	TTL I/O, address and latched data
18	SEL3	TTL out, test set select bit 3, tied to 0 V
19–21	AD7–5	TTL I/O, address and latched data
22–23	AD0–1	TTL I/O, address and latched data
24	LDS	TTL out, active low data strobe (1 μ s min)
25	RLW	TTL out, high = read, low = write

Table 5-4 HANDLER I/O Connector Pin Assignments



Pin Numbers	Name	Function
1	GND	0 V, ground reference
2	INPUT1	TTL in, negative pulse (1 ms min) latches OUTPUT1-2
3-4	OUTPUT1-2	TTL out, latched
5-12	Port A0-7 Out	TTL out, latched
13-20	Port B0-7 Out	TTL out, latched
21-24	Port C I/O	TTL I/O, latched
25-28	Port D I/O	TTL I/O, latched
29	Port C Status	TTL out, low = input mode, high = output mode
30	Port D Status	TTL out, low = input mode, high = output mode
31	Output Strobe Write Strobe	TTL out, active low data write strobe (1 ms min)
32	No connect	Not used
33	Pass Fail	TTL out, latched, indicates pass fail (programmable polarity)
34	+5 V	+5 Vdc, 100 mA max.
35	Sweep End	TTL out, active low (10 ms min) indicates sweep done
36	Pass/Fail Write Strobe	TTL out, active low pass/fail write strobe (1 ms min)

Table 5-5 PWR I/O Connector Pin Assignments



DB-9 Female Connector

Pin	Name	Description
1	+15V	+15 V @ 400 mA
2	-15V	-15 V @ 400 mA
3	AnalogOut1	Analog Output Voltage Programmable ± 10 V @ 100 mA out Nominally 0 ohms 2.44 mV typical resolution 1 MHz BW
4	AnalogOut2	Analog Output Voltage Programmable ± 10 V @ 100 mA out Nominally 0 ohms 2.44 mV typical resolution 1 MHz BW
5	ACOM	System ground
6	GndSense	Ground sense for Analog In and Analog Out Connected with 51.1 ohms to ACOM
7	AnalogIn1	Analog input: ± 10 V @ 1.22 mV typical resolution $R_{in} > 1$ M-ohm BW ≈ 1 MHz ADC conversion time < 1 us typical
8	AnalogIn2	Analog input: ± 10 V @ 1.22 mV typical resolution $R_{in} > 1$ M-ohm BW ≈ 1 MHz ADC conversion time < 1 us typical
9	Power Button	Open collector input Active low replicates power button key press.

Signal Separation Group Operation

The signal separation group divides the source incident signals into a reference path and a test path. Refer to [Figure 5-4 on page 5-18](#) and [Figure 5-5 on page 5-19](#).

- The reference signals are transmitted to the receiver group as the R1, R2, R3, and R4 inputs for 4-port models or the R1 and R2 inputs for 2-port models.
- The test signals are transmitted through—and reflected from—the device under test (DUT) and then transmitted to the receiver group as the A, B, C, and D inputs for 4-port models or the A and B inputs for 2-port models.
- Control lines to this group are routed from the A19 test set motherboard.

In this section, the following assemblies are described:

- [A25–A28 Bridges](#)
- [A29–A32 Test Port Couplers](#)
- Front Panel Jumpers—[Configurable Test Set](#)
- [A34–A37 65-dB Source Step Attenuators and A38–A41 Bias Tees \(Optional\)](#)
- [A46–A49 Mechanical Switches and A50 Combiner \(Optional\)](#)

Configurable Test Set

The configurable test set is included in the standard analyzer and allows you to measure devices with higher power and higher dynamic range limits than an analyzer without the configurable test set. On 4-port models, twelve signal paths, routed through front panel SMA jumpers, comprise the configurable test set. On 2-port models, there are six signal paths routed through front panels jumpers in the configurable test set.

As shown in [Figure 5-4 on page 5-18](#) and [Figure 5-5 on page 5-19](#), these jumpers are installed between the components listed below. Ports 3 and 4 apply only to 4-port models.

- the A25 port 1 bridge and the A23 mixer brick receiver R1
- the A26 port 3 bridge and the A24 mixer brick receiver R3
- the A27 port 4 bridge and the A24 mixer brick receiver R4
- the A28 port 2 bridge and the A23 mixer brick receiver R2
- the A25 port 1 bridge and the A29 test port 1 coupler
- the A26 port 3 bridge and the A30 test port 3 coupler
- the A27 port 4 bridge and the A31 test port 4 coupler
- the A28 port 2 bridge and the A32 test port 2 coupler
- the A29 test port 1 coupler and the A23 mixer brick receiver A
- the A30 test port 3 coupler and the A24 mixer brick receiver C
- the A31 test port 4 coupler and the A24 mixer brick receiver D
- the A32 test port 2 coupler and the A23 mixer brick receiver B

Normal Measurement Configuration

The Option 419 analyzer is equipped with configurable test set and source attenuators. With this configuration and inclusion of an external amplifier and accessories, you can calibrate the analyzer and test devices at power levels up to +30 dBm. You can make measurements in the forward, reverse, or both directions and still achieve these high power levels.

High Dynamic Range Measurement Configuration

With a few jumper changes, you can configure the measurement configuration for higher dynamic range measurements. By swapping the front panel jumpers for one port, signal flow through the corresponding coupler is reversed, increasing the test signal sensitivity by 15 dB.

In the forward direction, for example, the signal flow through the test port 2 coupler (A32) is reversed by arranging the front panel jumpers such that RCVR B IN connects to CPLR THRU and CPLR ARM connects to SOURCE OUT.

While increasing forward (S_{21}) dynamic range, the reverse (S_{12}) dynamic range is degraded by the same amount.

A25–A28 Bridges

The source incident signals from the A5 and A8 26.5 GHz sources are sent to the A25–A28 bridges where a portion of each signal is coupled off to provide the R1, R2, R3, and R4 receiver reference signals for 4-port models or R1 and R2 reference signals for 2-port models.

These reference signals are routed through front-panel jumpers to the A23 and A24 mixer bricks. Refer to [“A23 and A24 Mixer Bricks” on page 5-21](#) for additional information.

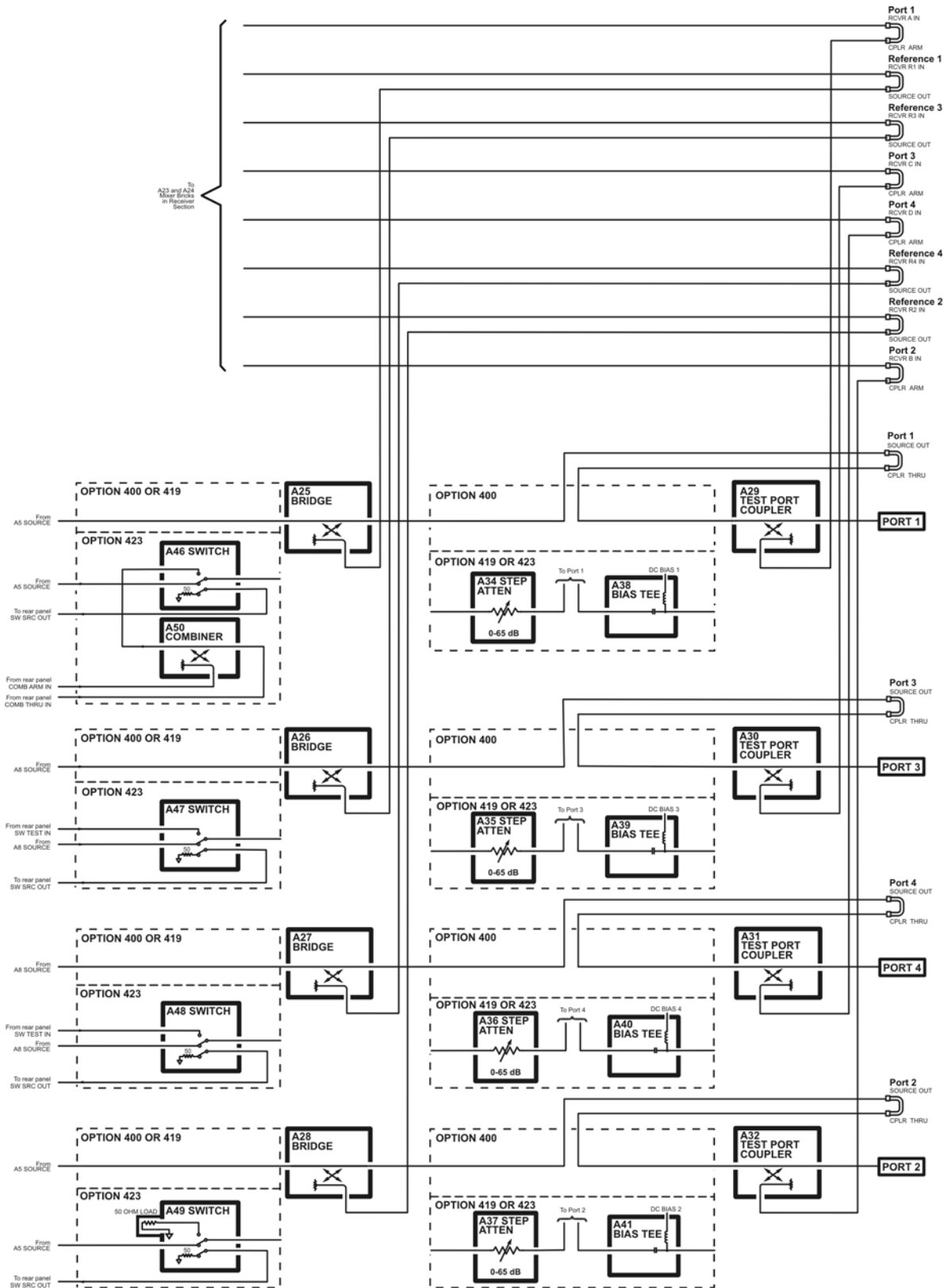
The test signals each go through the through-line arm of a bridge, then through a front panel jumper to the A29–A32 test port couplers.

A29–A32 Test Port Couplers

The test port signals go into the through-line arm of the couplers, and from there to the test ports and the DUT.

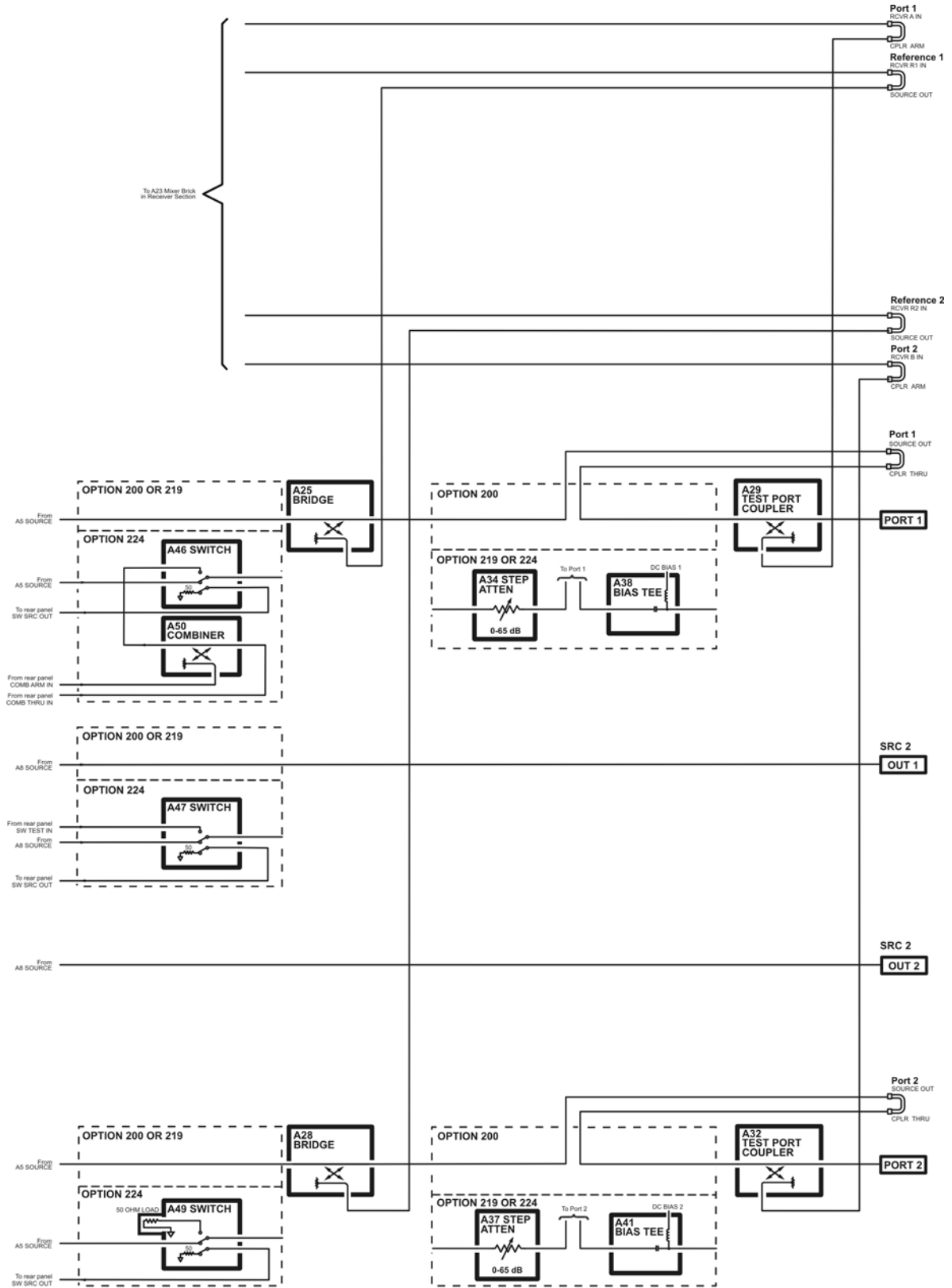
The coupled arm of the couplers carries the signal reflected from or transmitted through the DUT, to the receiver for measurement (through front panel jumpers), as inputs A, B, C, and D for 4-port models or inputs A and B for 2-port models. The coupling coefficient of the directional couplers is nominally 15 dB over the full frequency range.

Figure 5-4 4-Port Signal Separation Group



n5242_001_504

Figure 5-5 2-Port Signal Separation Group



n5242_001_505

A34–A37 65-dB Source Step Attenuators and A38–A41 Bias Tees (Optional)

On 4-port models with Option 419 or 423, a step attenuator and a bias tee are placed in the signal path of each test port between the A25–A28 bridges and the A29–A32 test port couplers.

On 2-port models with Option 219 or 224, a step attenuator and a bias tee are placed in the signal path of each test port between the A25 and A28 bridges and the A29 and A32 test port couplers.

The 65-dB step attenuators provide coarse power control for the test port signals. They are electro-mechanical step attenuators that provide 0 to 65 dB of attenuation in 5-dB steps. They adjust the power level to the DUT without changing the level of the incident power in the reference path. These attenuators are controlled by the A17 CPU board.

The bias tees are to provide DC biasing for the DUT.

A46–A49 Mechanical Switches and A50 Combiner (Optional)

On 4-port models with Option 423, a mechanical switch is placed in the signal path of each test port between the A5 and A8 26.5 GHz sources and the A25–A28 bridges.

On 2-port models with Option 224, a mechanical switch is placed in the signal path of each test port between the A5 and A8 26.5 GHz sources and the A25 and A28 bridges.

These switches allow the source signal to be routed to or from rear-panel connectors. The internal source can be sent out through a rear-panel connector to be made available for external use or an external source can be input through a rear-panel connector to be used in place of the internal source signal.

In the port 1 signal path, there is an additional bridge (A50) which, when switched into the signal path, is used as a combiner to combine two source signals from the rear panel. These signals typically come from the analyzer's two internal sources and are jumpered on the rear panel.

Receiver Group Operation

The receiver group measures and processes the input signals into digital information for processing and eventual display. [Figure 5-6 on page 5-25](#) and [Figure 5-7 on page 5-26](#) are simplified block diagrams of the receiver functional group for 2-port and 4-port analyzers respectively.

In this section the following assemblies are described:

- [A42–A45 35-dB Receiver Step Attenuators \(Optional\)](#)
- [A33 Reference Mixer Switch](#)
- [A23 and A24 Mixer Bricks](#)
- [A20 IF Multiplexer Board](#)
- [A12 SPAM Board \(Analog Description\)](#)

A42–A45 35-dB Receiver Step Attenuators (Optional)

A step attenuator is placed in the signal path of each of the A, B, C, and D receiver inputs for 4-port models and A and B receiver inputs for 2-port models.

These 35-dB step attenuators provide power control for the input signals to the mixer bricks. They are electro-mechanical step attenuators that provide 0 to 35 dB of attenuation in 5-dB steps. These attenuators are controlled by the A17 CPU board.

A33 Reference Mixer Switch

The A33 reference mixer switch is placed in the R1 reference signal path allowing this reference signal to be switched in and out of the signal path when an external mixer is being used in test configuration.

An external mixer is placed in measurement configuration between REFERENCE 1 SOURCE OUT and RCVR R1 IN where there would normally be a front panel jumper. The A33 reference mixer switch can then be used to switch this external mixer in and out of the measurement configuration without having to manually connect/disconnect the external mixer and remove/replace the front panel jumper.

A23 and A24 Mixer Bricks

Each of these assemblies contain four identical amplifiers, mixers, and filters for a total of eight of each. For 2-port models, only the A23 mixer brick is present; the A24 mixer brick is omitted since only four receivers are needed.

For frequencies at or above 53 MHz, the test signals (receivers A, B, C, and D for 4-port models and A and B for 2-port models) and the reference signals (receivers R1, R2, R3, and R4 for 4-port models and R1 and R2 for 2-port models) are mixed with a synthesized source signal that is 7.606 MHz higher than the source incident signal to produce a 7.606 MHz IF signal. This synthesized source comes from the A21 HMA26.5 (via the A22 splitter for 4-port models).

At frequencies below 53 MHz, the IF is set to 2.535 MHz.

The analog IF signal is sent to the A20 IF multiplexer board where it is processed and then sent to the A12 SPAM board.

The A23 mixer brick sends the EXT TSET DRIVE LO OUT signal to a rear-panel connector for use with an

external test set. This same output connector on the A24 mixer brick is terminated.

A20 IF Multiplexer Board

This assembly provides pulse modulation capability and routes the IF signal out through the rear panel connectors for external use and routes external signals in through rear panel connectors to be included in the signal processing.

In this assembly, on 4-port models, the R1, R2, R3, and R4 reference signals are combined to create one reference signal, R. On 2-port models the R1 and R2 reference signals are not combined.

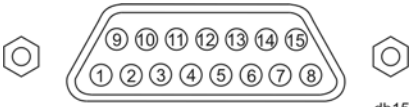
The analog IF signals (A, B, C, D, and R for 4-port models and A, B, R1, and R2 for 2-port models) are sent to the A12 SPAM board where they are converted to digital information.

Rear Panel Interconnects

The A20 IF multiplexer board includes the following rear panel interconnects.

PULSE I/O	A DB-15 female connector. Pin assignments are listed in Table 5-6 on page 5-23 .
------------------	--

Table 5-6 PULSE I/O Connector Pin Assignments



Pin	Name	Description
1	IFGateAin	IF pulse gate input A (TTL)
2	IFGateBin	IF pulse gate input B (TTL)
3	IFGateCin	IF pulse gate input C (TTL)
4	IFGateDin	IF pulse gate input D (TTL)
5	IFGateRin	IF pulse gate input R (TTL)
6	DCOM	Digital ground
7	PulseSyncln	Pulse generator synchronization trigger input (TTL)
8	RFPulseModIn	RF source pulse modulation drive input (TTL)
9	DCOM	Digital ground
10	Pulse1Out	Programmable pulse train output #1 (TTL)
11	Pulse2Out	Programmable pulse train output #2 (TTL)
12	Pulse3Out	Programmable pulse train output #3 (TTL)
13	Pulse4Out	Programmable pulse train output #4 (TTL)
14	NC	No connect
15	DCOM	Digital ground

A12 SPAM Board (Analog Description)

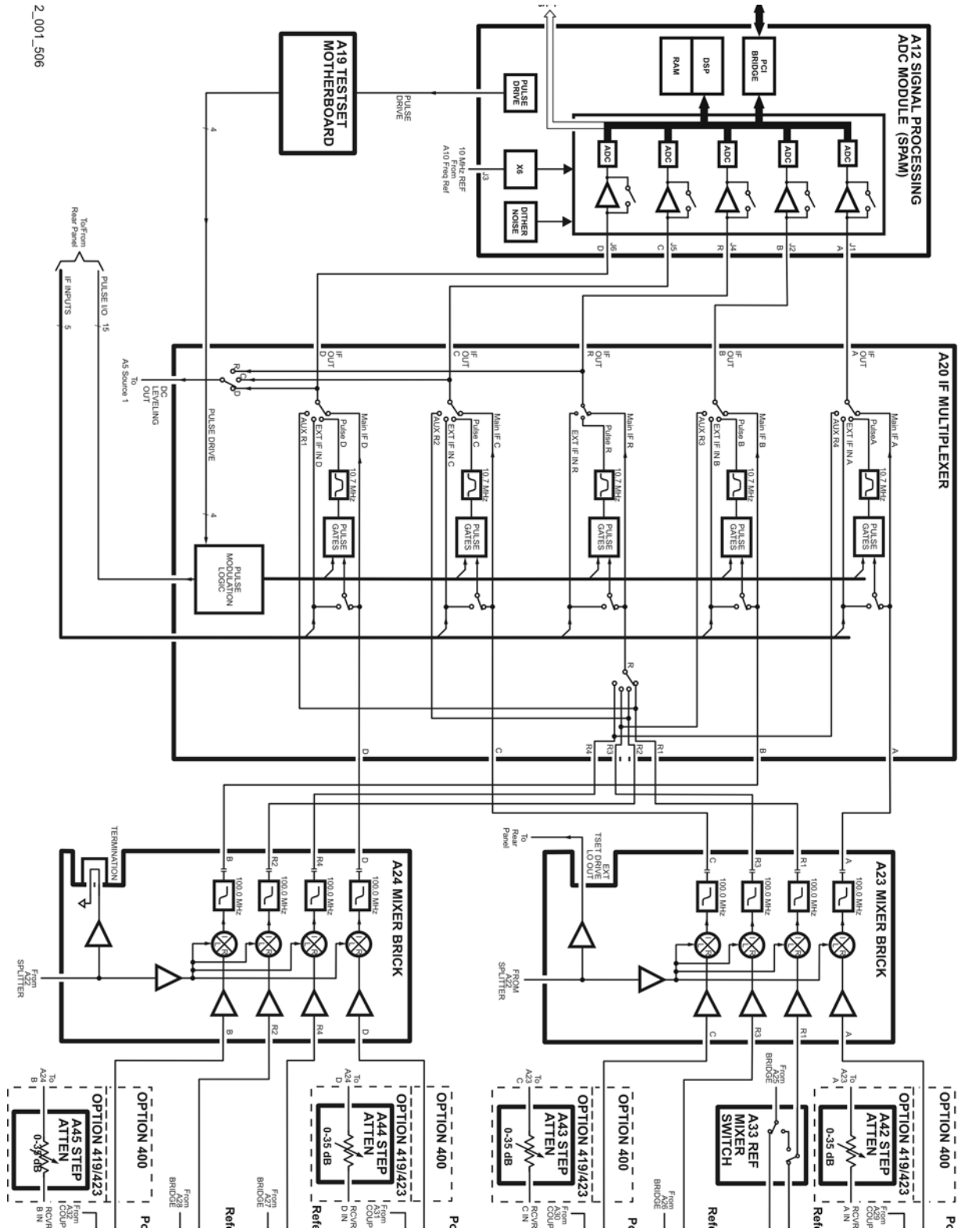
The A12 SPAM board contains digital and analog circuitry. For digital descriptions, refer to [“A12 SPAM Board \(Digital Description\)” on page 5-33](#).

In this assembly, the IF signals (A, B, C, D, and R for 4-port models and A, B, R1, and R2 for 2-port models) from the A20 IF multiplexer board go through a gain stage where small signals are amplified to ensure that they can be detected by the analog-to-digital converter (ADC).

All input signals are sampled simultaneously by the ADCs, where they are converted to digital form. The ADC conversions are triggered by timing signals from the digital signal processor (DSP) in response to commands from the central processing unit (CPU). The digitized data is processed into magnitude and phase data by the DSP and sent to the CPU random access memory (RAM) by way of the peripheral component interconnect (PCI) bus.

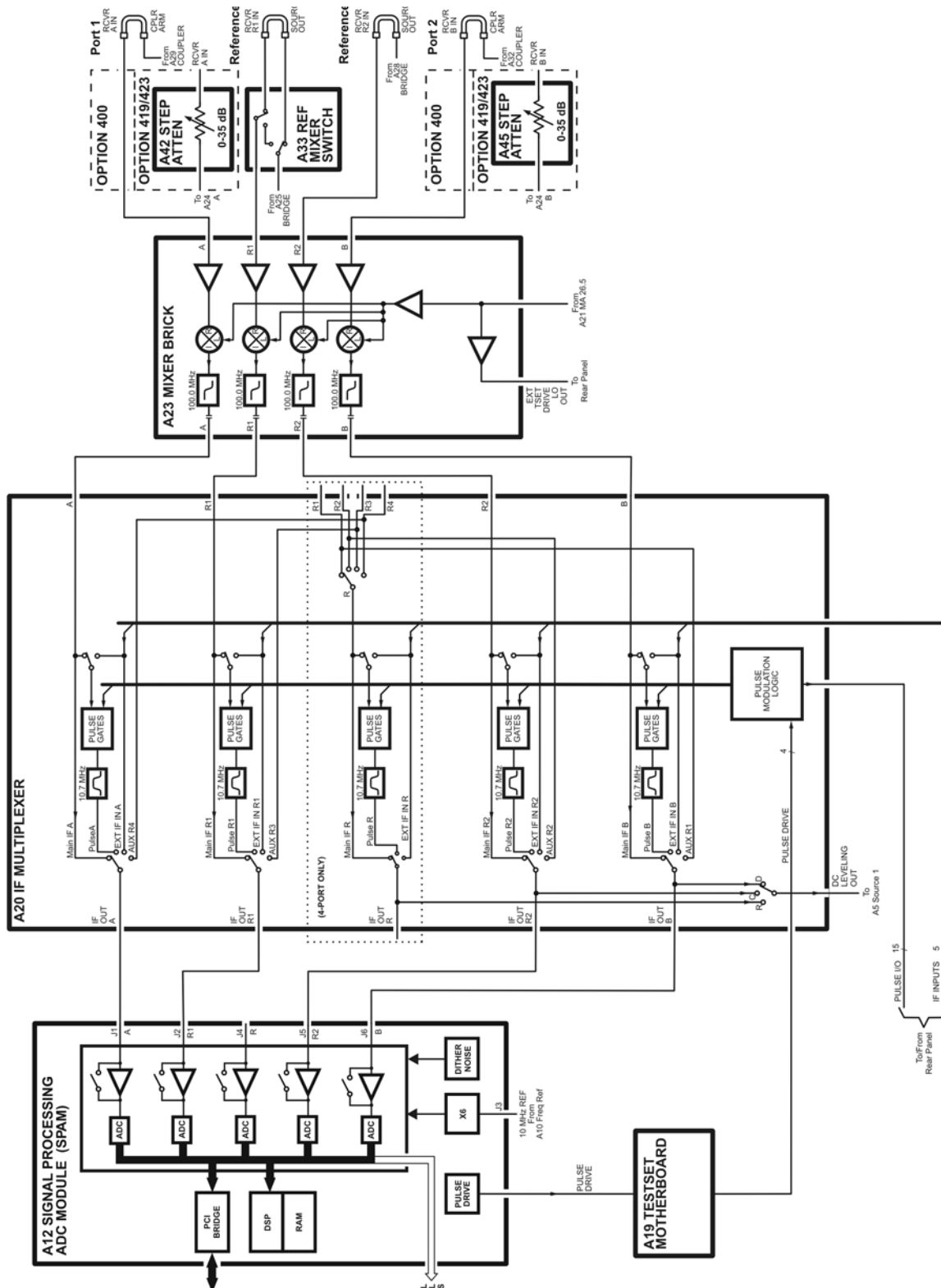
The processed and formatted data is finally routed to the display, and to the general-purpose interface bus (GPIB) for remote operation. Refer to [“Digital Processing and Digital Control Group Operation” on page 5-30](#) for more information on signal processing.

Figure 5-6 4-Port Receiver Group



2_001_506

Figure 5-7 2-Port Receiver Group



42_001_507

Noise Measurement Group Operation (Option 029)

The noise measurement group measures the noise figure up to 26.5 GHz. [Figure 5-8 on page 5-29](#) is a simplified block diagram of the noise measurement group. Although the 4-port configuration is shown, the 2-port configuration is very similar. Refer to the detailed block diagrams at the end of [Chapter 4](#) if necessary.

In this section the following assemblies are described:

- [A52 Test Port 1 Option 029 Switch](#)
- [A53 Test Port 2 Option 029 Switch](#)
- [A54 Test Port 2 Option 029 Bridge](#)
- [A55 Noise Downconverter](#)
- [A7 Noise Receiver Board](#)

A52 Test Port 1 Option 029 Switch

The A52 bypass switch is placed in the Port 1 source path, allowing the source signal to be switched in and out of the path if needed when an external Electronic Calibration (ECal) module is used in the test configuration. An external ECal module is placed in the test configuration between Port 1 SOURCE OUT and Port 1 CPLR THRU as an impedance tuner where there would normally be a front panel jumper. The ECal module is not part of the option 029 hardware but is required as an impedance tuner for a fully vector source corrected noise figure measurement.

A53 Test Port 2 Option 029 Switch

The A53 bypass switch is placed in the Port 2 source path, allowing switching between normal test mode configuration and noise figure measurement mode.

A54 Test Port 2 Option 029 Bridge

The A54 Bridge is placed in the Port 2 source path. When the PNA-X is switched into noise figure measurement mode, the noise incident signal from the DUT passes through the A54 Bridge before being sent to the A55 Noise Downconverter. The A54 Bridge also allows the source incident signal from A5 to pass through to Test Port 2 where the S-parameters and conversion gain measurements can be done without any extra mechanical switching.

A55 Noise Downconverter

The A55 Noise Downconverter board contains two key portions: the Low Noise Amplifier (LNA) and the Filter Bank. The LNA provides the necessary gain, which enables measurements to be done on the low noise and low gain devices. The Filter Bank filters the IF noise signal for third harmonic conversion rejection.

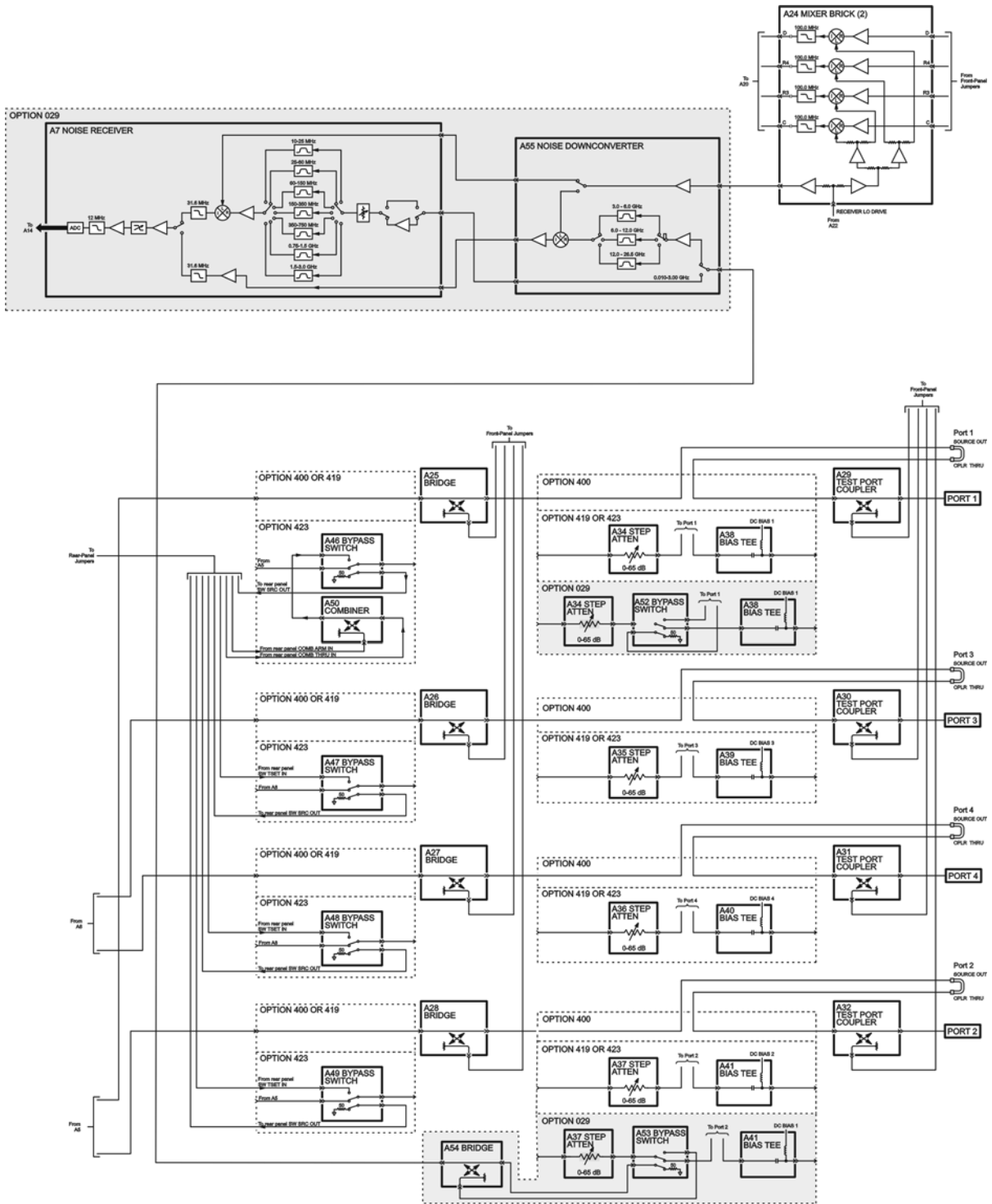
For frequencies above 3 GHz, the noise signals are amplified, filtered, and mixed with the LO synthesized signal to produce IF noise signals before being sent to the A7 Noise Receiver board.

For frequencies between 0.01 – 3 GHz, the noise signals bypass the A55 Noise Downconverter straight to the A7 Noise Receiver board, where the signals are amplified, filtered, and mixed with the LO synthesized signal to produce the IF noise signals.

A7 Noise Receiver Board

In the A7 noise Receiver board, the IF noise signals are further amplified and filtered before being sent to ADC for sampling, where signals are processed and converted to digital form. The ADC processes at the sampling rate of 40 MHz. The digitized data is then processed by the FPGA before being sent to the A14 System Motherboard via the data bus.

Figure 5-8 Noise Measurement Group (Option 029)



n5242_001_509

Digital Processing and Digital Control Group Operation

The digital processor and control group provides digital control for the entire analyzer. It provides:

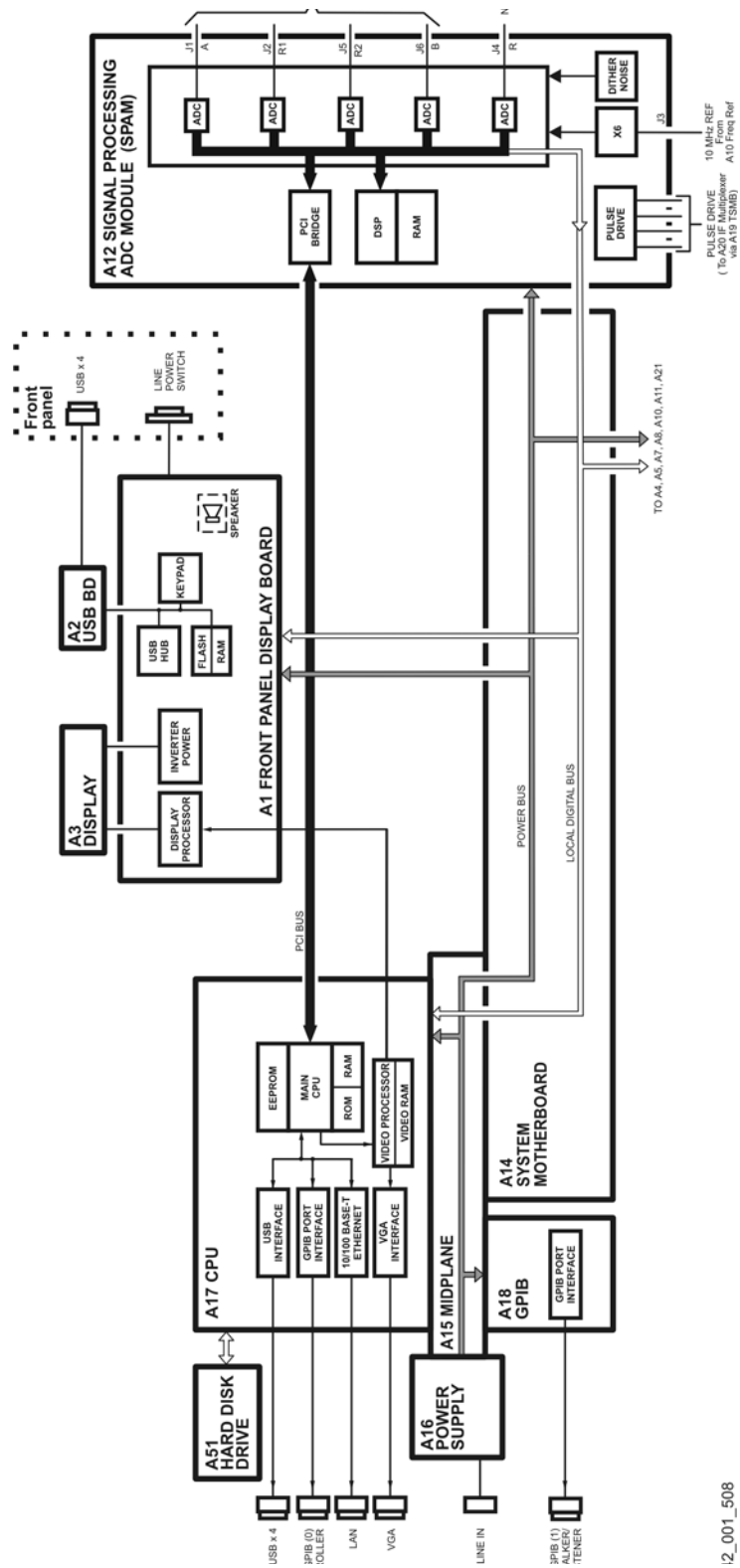
- front panel operation,
- output to the display,
- math processing functions, and
- communications between the analyzer and an external controller or peripherals.

A block diagram of the digital control functional group is shown in [Figure 5-9 on page 5-31](#).

The digital control functional group consists of two subgroups:

- [Front Panel Subgroup](#)
 - [A1 Front Panel Display Board](#)
 - [A2 USB Board](#)
 - [A3 Display Assembly](#)
 - [Keypad Assembly](#)
 - A14 system motherboard
- [Data Acquisition and Processing Subgroup](#)
 - [A12 SPAM Board \(Digital Description\)](#)
 - [A17 CPU Board](#)
 - [A51 Hard Disk Drive](#)

Figure 5-9 Digital Processing and Digital Control Group



Front Panel Subgroup

The front panel subgroup contains the following assemblies:

- [A1 Front Panel Display Board](#)
- [A2 USB Board](#)
- [A3 Display Assembly](#)
- [Keypad Assembly](#)

A1 Front Panel Display Board

The A1 front panel display board detects and decodes user inputs from the keypad assembly and front panel knob, and transmits them to the A17 CPU board by way of the A14 system motherboard. It also decodes video data from the video processor on the A17 CPU board and supplies this to the A3 display assembly. Power from the power bus on the A14 system motherboard is buffered and routed to the keypad assembly and the A3 display assembly. All data and power signals are routed through a single cable connector to the A14 system motherboard.

The A1 front panel interface board also includes a speaker that emits the audio signals received from the A17 CPU board.

A2 USB Board

This board provides four universal serial bus (USB) jacks that are industry standard 4-pin connectors allowing multiple USB devices to be connected to the analyzer's front panel.

A3 Display Assembly

The A3 display assembly contains an 10-inch LCD with associated drive circuitry and backlight inverter. Two cables between the A3 display assembly and the A1 front panel display board provide all necessary power and data for normal operation. The two cables are:

1. A cable to the inverter that supplies buffered power.
2. A cable to the display circuitry that supplies decoded data from the video processor on the A17 CPU board and the necessary drive circuit power. The video data received from the A17 CPU board includes the following:
 - digital TTL horizontal sync
 - digital TTL vertical sync
 - digital TTL red video
 - digital TTL green video
 - digital TTL blue video
 - blanking
 - data clock

Keypad Assembly

The keypad assembly provides user interface to the analyzer. The front panel rotary pulse generator (RPG) knob is not electrically connected to the keypad, but rather provides user inputs directly to the front panel processor.

Data Acquisition and Processing Subgroup

The data acquisition and processing subgroup contain the following assemblies. See [Figure 5-9 on page 5-31](#).

- [A12 SPAM Board \(Digital Description\)](#)
- [A17 CPU Board](#) (including rear-panel interconnects)
- [A51 Hard Disk Drive](#)

A12 SPAM Board (Digital Description)

The A12 SPAM board contains digital and analog circuitry. For analog descriptions, refer to [“A12 SPAM Board \(Analog Description\)” on page 5-24](#).

The digital signal processor (DSP) receives digitized data from the digital circuitry of the A12 SPAM board. It computes discrete Fourier transforms to extract the complex phase and magnitude data from the analog IF signal. The resulting raw data is written into the main random access memory (RAM). The data taking sequence is triggered either externally from the rear panel or by firmware on the A17 CPU board.

A17 CPU Board

The A17 CPU board contains the circuitry to control the operation of the analyzer. Some of the components include the central processing unit (CPU), memory (EEPROM, ROM, RAM), bus lines to other board assemblies, and connections to the rear panel. Some of the main components are described next:

- [CPU](#)
- [Main RAM](#)
- [Rear Panel Interconnects](#)

CPU The central processing unit (CPU) is a microprocessor that maintains digital control over the entire instrument through the instrument bus. The CPU receives external control information from the keypad, any USB device, LAN or GPIB, and performs processing and formatting operations on the raw data in the main RAM. It controls the DSP, the video processor, and the interconnect port interfaces. In addition, when the analyzer is in the system controller mode, the CPU controls peripheral devices through the peripheral port interfaces.

Front panel settings are stored in SRAM, with a battery providing at least five years of backup storage when external power is off.

Main RAM The main random access memory (RAM) is shared memory for the CPU and the DSP. It stores the raw data received from the DSP while additional calculations are performed on it by the CPU. The CPU reads the resulting formatted data from the main RAM, converts it to a user-definable display format, and writes this to the video processor for display.

Rear Panel Interconnects The rear panel includes the following interfaces:

USB x4	Four universal serial bus (USB) jacks (industry standard 4-pin connectors).
GPIB (0) Controller	A 24-pin, female, type D-24 connector that meets IEEE-488 standards.
GPIB (1) Talker/Listener	A 24-pin, female, type D-24 connector that meets IEEE-488 standards.
LAN	A standard 8-pin, 10/100BaseT, Ethernet connection. It auto selects between the two data rates.
Display (VGA)	A 15-pin, female, D-sub connector that provides a video output of the analyzer display that can be viewed on an external VGA monitor.

A51 Hard Disk Drive

The hard disk drive assembly (HDDA) is an integrated development environment (IDE) data storage device which is connected directly to, and physically mounted within the enclosure of, the A17 CPU board. The full operating system and firmware for the network analyzer is stored on the A51 hard disk drive.

Power Supply Group Operation

The A16 power supply assembly is a switching power supply operating at 103 kHz switching frequency. The input power ranges for the power supply are 90 to 132 Vac or 195 to 250 Vac. The power supply automatically senses the input voltage and switches between these two ranges.

WARNING Supply voltages which oscillate between the two normal input ranges of the autoranging line voltage input will damage the power supply. In rare cases, this damage has become a user safety concern. If unstable power levels are expected, the analyzer input power must be buffered by a line conditioner.

The dc output voltages of the A16 power supply assembly are:

- +15 V analog
- +9 V analog
- +3.3 V analog
- +5.2 V analog
- +15 V standby (always on)
- +32 V analog
- -15 V analog
- -5.2 V analog
- -7 V analog
- +5.1 V standby
- +12 V digital
- +3.35 V digital
- +5.1 V digital

The +15 V standby supply remains on continuously whenever the power supply is plugged in. This supply is used to provide power to front panel LEDs and CPU components when the analyzer is turned off.

6 Replaceable Parts

This page left blank intentionally.

Information in This Chapter

This chapter:

- identifies the replaceable parts for the Agilent PNA series microwave network analyzer.
- includes several tables and illustrations to assist you in identifying the correct part for your analyzer.
- contains ordering information for new assemblies and rebuilt-exchange assemblies.

Chapter Six at-a-Glance

Section Title	Summary of Content	Start Page
Ordering Information	How to order a replaceable part from Agilent Technologies.	Page 6-4
Assembly Replacement Sequence	The correct sequence for replacing a defective assembly.	Page 6-4
Rebuilt-Exchange Assemblies	The definition of a rebuilt-exchange assembly. The procedure for replacing and returning a defective assembly to Agilent Technologies.	Page 6-5
Replaceable Parts Listings	Tables that list the assemblies by reference designator with their associated part number and description. Illustrations that indicate the location of each of the replaceable parts in your analyzer: <ul style="list-style-type: none"> • Assemblies (front panel, top, bottom, and rear panel) • Cables (top and bottom) • Hardware (top, bottom, internal, and external.) • Miscellaneous replaceable parts 	Page 6-6

Ordering Information

To order a part listed in the replaceable parts lists:

- include the part number
- indicate the quantity required
- Contact Agilent Technologies for instructions on where to send the order. Refer to [“Contacting Agilent” on page 2-14.](#)

To order a part that is not listed in the replaceable parts lists:

- include the instrument model number and complete instrument serial number
- include the description and function of the part
- indicate the quantity required
- Contact Agilent Technologies for instructions on where to send the order. Refer to [“Contacting Agilent” on page 2-14.](#)

Assembly Replacement Sequence

The following steps describe how to replace an assembly in the network analyzer.

- Step 1.** Identify the faulty group. Begin with [Chapter 4, “Troubleshooting.”](#) Follow up with the appropriate troubleshooting chapter that identifies the faulty assembly.
- Step 2.** Order a replacement assembly. Refer to this chapter.
- Step 3.** Replace the faulty assembly and determine what adjustments are necessary. Refer to [Chapter 7, “Repair and Replacement Procedures.”](#)
- Step 4.** Perform the necessary adjustments. Refer to [Chapter 3, “Tests and Adjustments.”](#)
- Step 5.** Perform the necessary performance tests. Refer to [Chapter 3, “Tests and Adjustments.”](#)

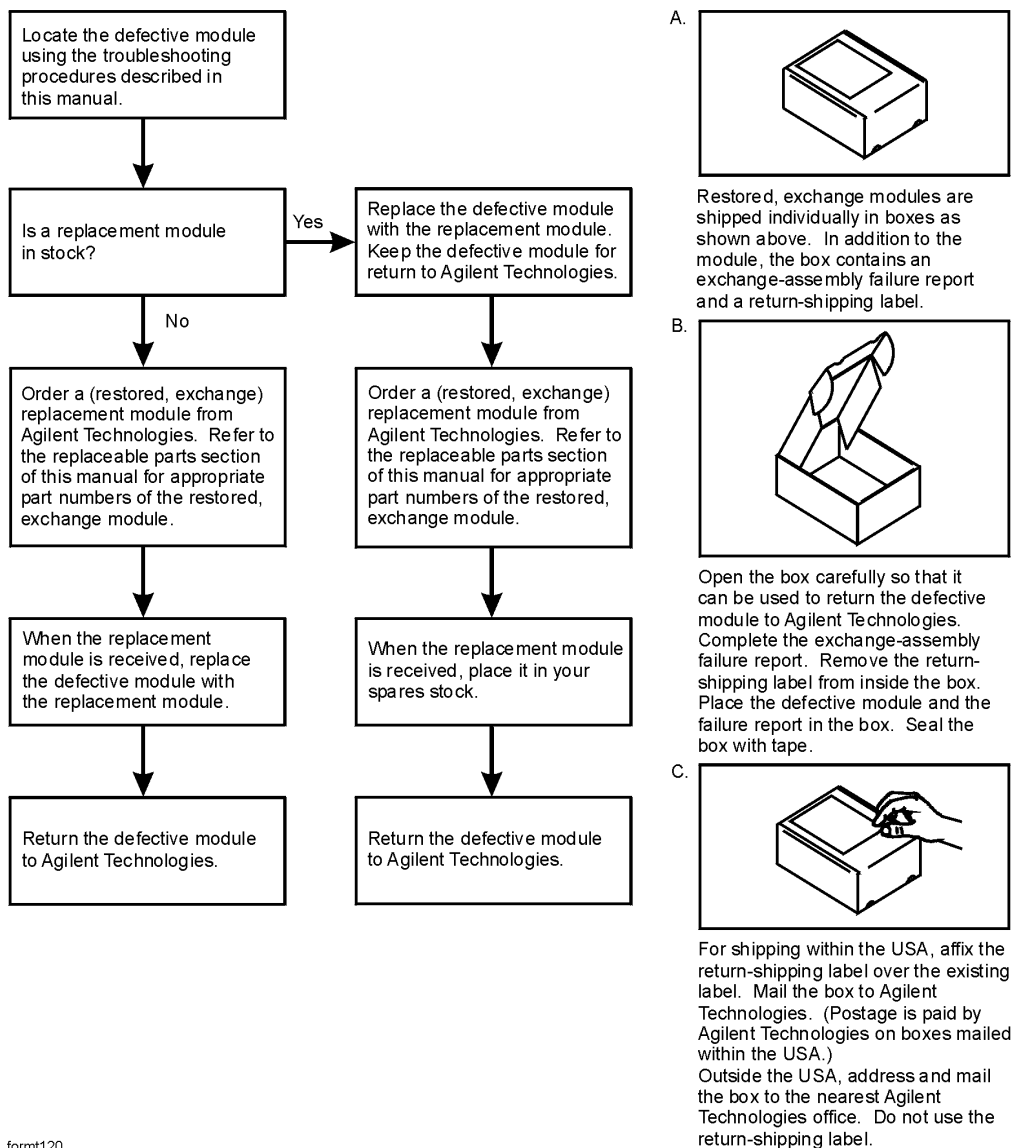
Rebuilt-Exchange Assemblies

Under the rebuilt-exchange assembly program:

- Certain factory-repaired and tested assemblies are available on a trade-in basis.
- Exchange assemblies are offered for lower cost than a new assembly, but meet all factory specifications required of a new assembly.
- The defective assembly must be returned for credit under the terms of the rebuilt-exchange assembly program.
- Spare assembly stock desired should be ordered using the new assembly part number.

Figure 6-1 Module Exchange Procedure

The module exchange program described here is a fast, efficient, economical method of keeping your instrument in service.



formt120

Replaceable Parts Listings

This section contains the replacement part numbers and their descriptions for your Agilent microwave PNA. You can find the locations of replaceable parts in this section:

- listed by reference designator in [Table 6-1](#), or
- listed by the type of part in [Table 6-2](#).

Table 6-1 Part Number Listing by Reference Designator

Reference Designator	Description	Location
A1	Front panel interface board	"Front Panel Assembly, Back Side, All Options" on page 6-12
A2	USB board	
A3	Display assembly	
A4	13.5 GHz synthesizer board	"Top Assemblies and Cables, All Options" on page 6-14
A5	26.5 GHz source board	
A6	Not used	
A7	Noise receiver board	
A8	26.5 GHz source board	
A9	Not used	
A10	Frequency reference board	
A11	13.5 GHz synthesizer board	
A12	Signal processing ADC module (SPAM) board	
A13	13.5 GHz synthesizer board	
A14	System motherboard	
A15	Midplane board	
A16	Power supply	
A17	CPU board	
A18	GPIB board	
A19	Test set motherboard	Your option set determines which assemblies are in your PNA. Refer to "Bottom Assemblies and Cables by Option Set:" in Table 6-2 on page 6-8
A20	IF multiplexer board	
A21	LO Multiplier/amplifier 26.5 (HMA26.5)	
A22	Splitter	
A23	Mixer brick	
A24	Mixer brick	
A25	Port 1 bridge	
A26	Port 3 bridge	
A27	Port 4 bridge	

Table 6-1 Part Number Listing by Reference Designator (Continued)

Reference Designator	Description	Location
A28	Port 2 bridge	Your option set determines which assemblies are in your PNA. Refer to "Bottom Assemblies and Cables by Option Set:" in Table 6-2 on page 6-8
A29	Port 1 port coupler	
A30	Port 3 port coupler	
A31	Port 4 port coupler	
A32	Port 2 port coupler	
A33	Reference mixer switch	
A34	Port 1 source step attenuator	
A35	Port 3 source step attenuator	
A36	Port 4 source step attenuator	
A37	Port 2 source step attenuator	
A38	Port 1 bias tee	
A39	Port 3 bias tee	
A40	Port 4 bias tee	
A41	Port 2 bias tee	
A42	Port 1 receiver step attenuator	
A43	Port 3 receiver step attenuator	
A44	Port 4 receiver step attenuator	
A45	Port 2 receiver step attenuator	
A46	Port 1 mechanical switch	
A47	Port 3 mechanical switch	
A48	Port 4 mechanical switch	
A49	Port 2 mechanical switch	
A50	Port 1 combiner	
A51	Hard disk drive	"Top Assemblies and Cables, All Options" on page 6-14
A52	Port 1 noise bypass switch (Option 029 only)	Your option set determines which assemblies are in your PNA. Refer to "Bottom Assemblies and Cables by Option Set:" in Table 6-2 on page 6-8
A53	Port 2 noise bypass switch (Option 029 only)	
A54	Port 2 noise bridge (Option 029 only)	
A55	Noise down converter (Option 029 only)	

Table 6-2 Part Number Listing by Type of Part

Assemblies and Cables

- “Front Panel Assembly, Front Side, All Options” on page 6-10
- “Front Panel Assembly, Back Side, All Options” on page 6-12
- Top Assemblies and Cables, All Options:
 - “Top Assemblies, All Options” on page 6-14
 - “Top Cables, All Cables—All Options” on page 6-17
- Bottom Assemblies and Cables by Option Set:
 - “2-Port Configuration, Option 200” on page 6-19
 - “2-Port Configuration, Options 200/219” on page 6-25
 - “2-Port Configuration, Options 200/219/029” on page 6-31
 - “2-Port Configuration, Options 200/219/H85” on page 6-37
 - “2-Port Configuration, Options 200/219/029/H85” on page 6-43
 - “2-Port Configuration, Options 200/219/224” on page 6-49
 - “2-Port Configuration, Options 200/219/224/029” on page 6-55
 - “2-Port Configuration, Options 200/219/224/H85” on page 6-61
 - “2-Port Configuration, Options 200/219/224/029/H85” on page 6-67
 - “4-Port Configuration, Option 400” on page 6-73
 - “4-Port Configuration, Options 400/419” on page 6-79
 - “4-Port Configuration, Options 400/419/029” on page 6-87
 - “4-Port Configuration, Options 400/419/H85” on page 6-96
 - “4-Port Configuration, Options 400/419/423/029/H85” on page 6-137
 - “4-Port Configuration, Options 400/419/423” on page 6-112
 - “4-Port Configuration, Options 400/419/423/029” on page 6-120
 - “4-Port Configuration, Options 400/419/423/H85” on page 6-129
 - “4-Port Configuration, Options 400/419/423/029/H85” on page 6-137
- “Rear Panel Assembly, All Options” on page 6-146

Hardware

- “Top Hardware and Miscellaneous Parts, All Options” on page 6-148
- Bottom Hardware and Miscellaneous Parts:
 - “Bottom Hardware and Miscellaneous Parts, All Options Except 029” on page 6-150
 - “Bottom Hardware and Miscellaneous Parts, Option 029” on page 6-152
- “Internal Hardware and Miscellaneous Parts, All Options” on page 6-154

Table 6-2 Part Number Listing by Type of Part

Hardware (Continued)

- “External Hardware and Miscellaneous Parts, All Options” on page 6-156

Miscellaneous

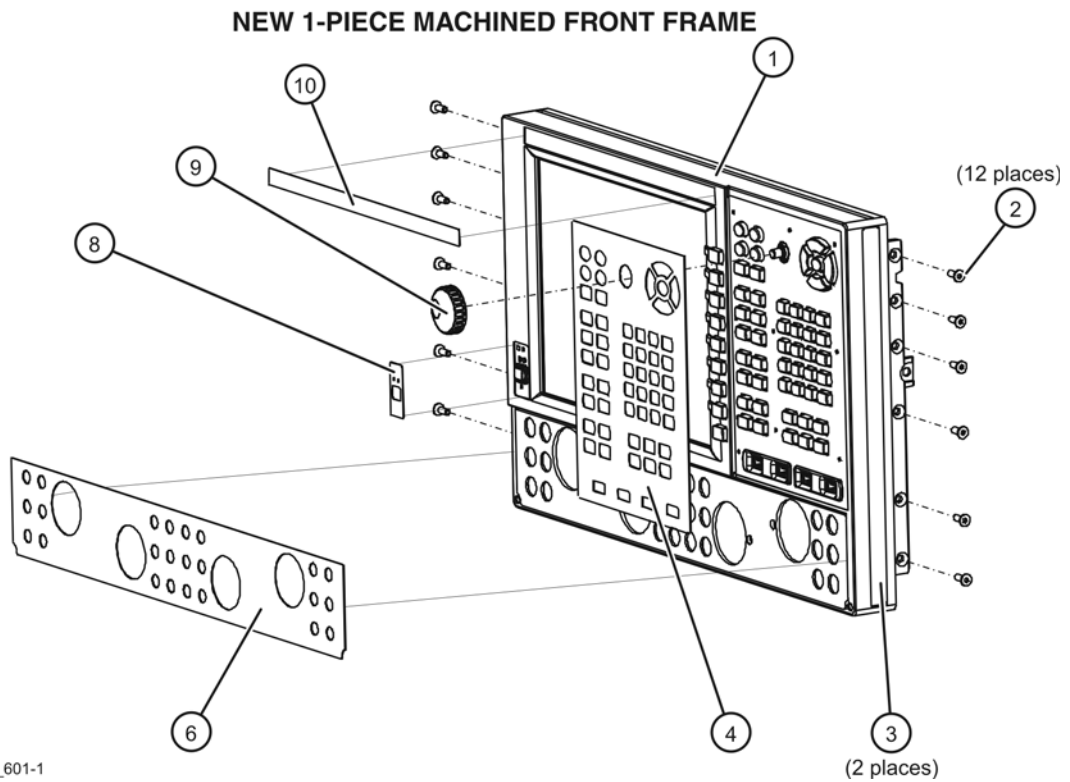
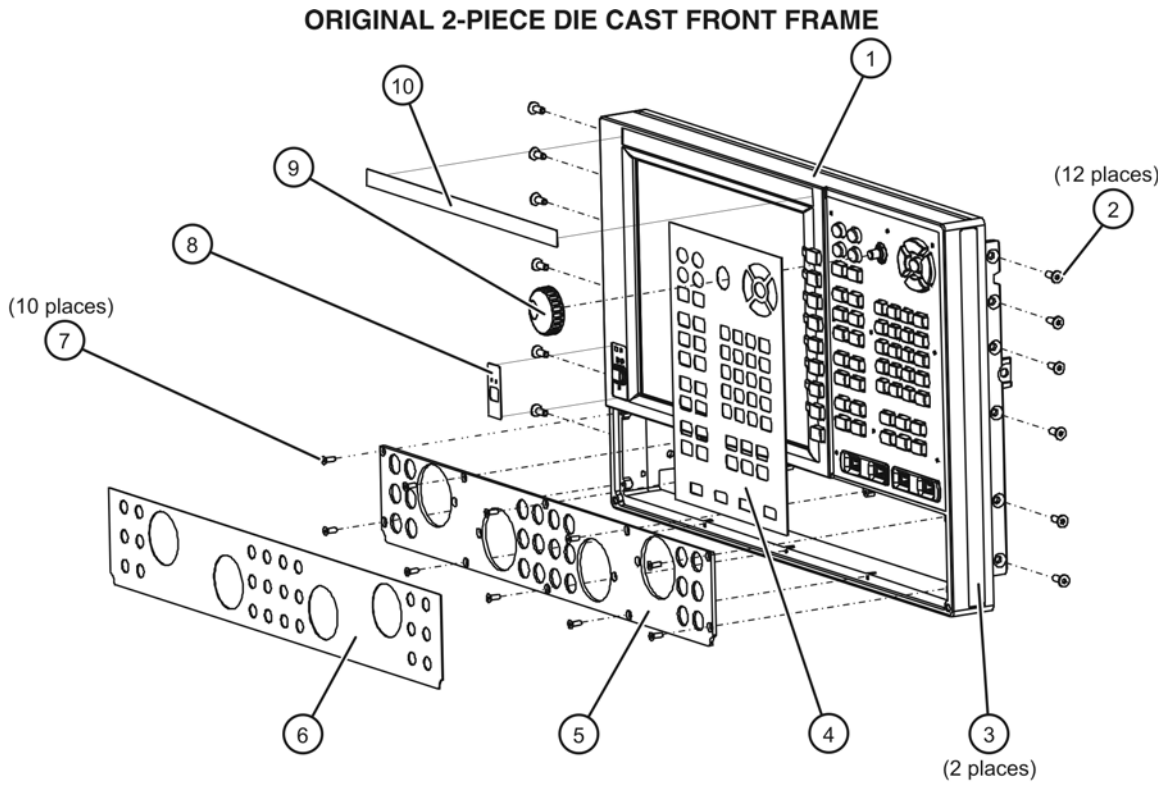
- Service Tools on page 6-158
- Documentation on page 6-158
- GPIB Cables/GPIB Adapter on page 6-158
- Fuses on page 6-158
- ESD Supplies on page 6-158
- Memory Modules on page 6-158
- Upgrade Kits on page 6-159
- USB Accessories on page 6-158
- Rack Mount Kits and Handle Kits on page 6-159
- Touch-up Paint on page 6-159

Front Panel Assembly, Front Side, All Options

Reference Designator	Part Number	Qty	Description
① ^a	N5245-20127 Was N5242-20101	1	Front frame, machined, 1-piece, 2-port (The original frame was die cast rather than machined and was two pieces; the lower front dress panel was separate. The new frame is one piece and includes the lower front dress panel as an integral part.)
	N5245-20128 Was N5242-20101		Front frame, machined, 1-piece, 4-port (The original frame was die cast rather than machined and was two pieces; the lower front dress panel was separate. The new frame is one piece and includes the lower front dress panel as an integral part.)
	8160-0660	1.2 m	RFI gasket material, 1.2 meters in length (Must be ordered separately from front frame.)
②	0515-0943	12	Machine screw, M4.0 x 12 flat head (To attach front frame to chassis.)
③ ^b	5041-9174	2	Trim strip, filler (For analyzers without handles.)
④	N5242-80005	1	Keypad overlay
⑤ ^a	Not available for replacement.	1	Lower front dress panel, 2-port (For 2-piece front frame only.)
			Lower front dress panel, 4-port (For 2-piece front frame only.)
⑥	N5242-80001	1	Lower front panel overlay, 2-port (Options 200/219)
	N5242-80002		Lower front panel overlay, 2-port (Options 200/219/224)
	N5242-80003		Lower front panel overlay, 4-port (Options 400/419/423)
	N5242-80010		Lower front panel overlay, 2-port (Options 200/219/029)
	N5242-80011		Lower front panel overlay, 2-port (Options 200/219/224/029)
	N5242-80012		Lower front panel overlay, 4-port (Options 400/419/423/029)
	N5242-80014		Lower front panel overlay, 2-port (Options 200/219/H85)
	N5242-80015		Lower front panel overlay, 2-port (Options 200/219/224/H85)
	N5242-80016		Lower front panel overlay, 4-port (Options 400/419/423/H85)
	N5242-80017		Lower front panel overlay, 2-port (Options 200/219/029/H85)
	N5242-80018		Lower front panel overlay, 2-port (Options 200/219/224/029/H85)
N5242-80019	Lower front panel overlay, 4-port (All options that include 029/H85)		
⑦	0515-1227	10	Machine screw, M3.0 x 6 flat head (To attach lower front dress panel to 2-piece front frame.)
⑧	N5242-80007	1	Power switch overlay
⑨	W1312-40017	1	Front panel (RPG) knob
⑩	N5241-80001	1	Nameplate, N5241A
	N5242-80006		Nameplate, N5242A

- a. The 2-piece front frame was used on instruments with the following serial prefixes and below: N5241A - 4931; N5242A - 4932; N5242AH85 - 4937.
 The 1-piece front frame is used on instruments with the following serial prefixes and above: N5241A - 4941; N5242A - 4942; N5242AH85 - 4947.
 The 2-piece front frame and associated lower front dress panels are not available for replacement. If these parts must be replaced, order the new 1-piece frame that includes the lower front dress panel as an integral part.
- b. Refer to "Rack Mount Kits and Handle Kits" in [Table 6-3 on page 6-158](#) for part numbers of complete rack mounts kits.

Figure 6-2 Front Panel Assembly, Front Side, All Options



n5242_001_601-1

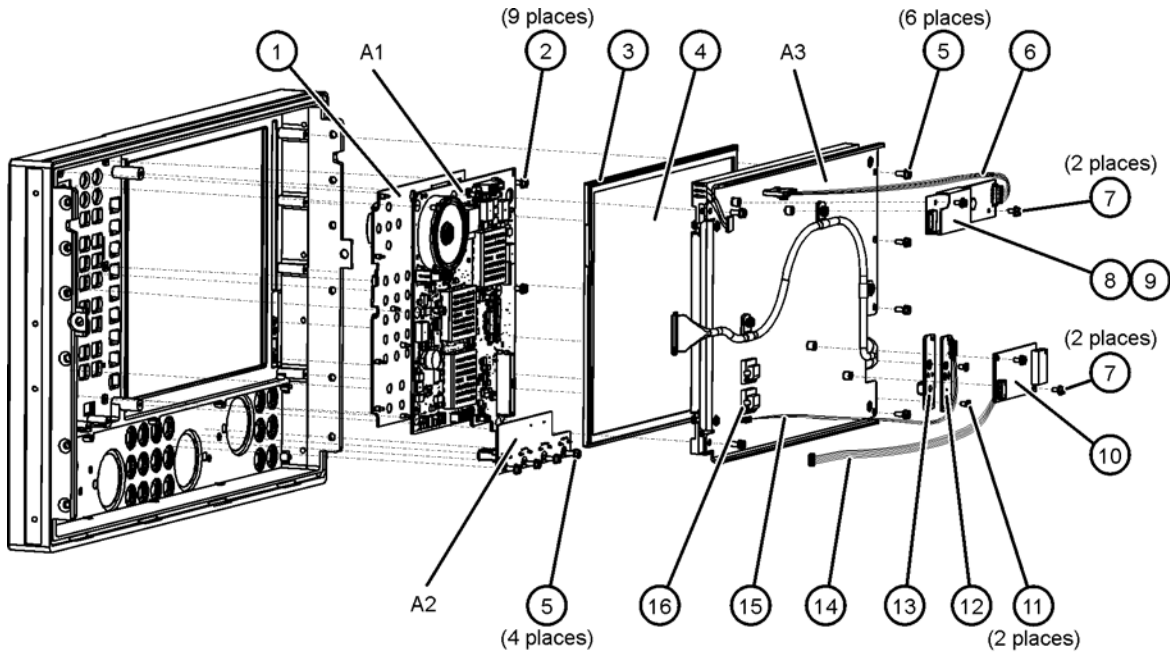
Front Panel Assembly, Back Side, All Options

Reference Designator	Part Number	Qty	Description
A1 ^a or b	N5240-60065 Was N5240-60046 ^a and N5240-60053 ^b	1	Front panel interface board
A2	N5240-60063 Was N5240-60047	1	USB board
not shown	N5242-60010	1	Ribbon cable, 60-wire, A14 system motherboard J9 to A1 front panel interface board J1
①	N5242-40001	1	Keypad assembly
②	0515-0430	12	Machine screw, M3.0 x 6 pan head (9 to attach front panel interface board to front frame and 3 to attach display cable to display hold down bracket.)
③ ^a	N5242-40009 Was N5242-40003	1	Touch screen rubber boot
④ ^a	2090-0973 Was 2090-0930	1	Touch screen, 10.4 inch
⑤	0515-0372	10	Machine screw, M3.0 x 8 pan head (6 to attach display to front frame and 4 to attach USB board to front frame.)
⑥	E6601-61028	1	Cable, A3 front panel interface board to inverter board
⑦	0515-1934	4	Machine screw, M2.5 x 6 pan head (To attach inverter board and USB controller board to display hold down bracket.)
⑧	0950-4420	1	Inverter board
⑨	N5230-00017	1	Inverter Shield
⑩ ^a	0960-2804 Was 0960-2535	1	Touch screen controller board
⑪	0515-1521	2	Machine screw, M3.0 x 5 flat head (To attach power switch assembly to front frame.)
⑫	N5240-60064 Was N5240-60050	1	Power switch board
⑬	N5240-40001	1	Power button keypad
⑭ ^a	W1312-60047 Was 8121-1452	1	Touch screen controller board cable harness
⑮	8121-1451	1	Power switch cable harness
⑯	1400-0510	2	Cable clamp (with adhesive backing)
A3			Display assembly
⑰	0515-0374	4	Machine screw, M3.0 x 10 pan head (To attach LCD display to hold down bracket.)
⑱	2090-0883	1	LCD display
⑲	N5242-20121	4	Spacers (For display hold down bracket standoffs.)
⑳ ^a	N5242-00034 Was N5242-00008	1	LCD display hold down bracket
㉑	N5242-60043	1	Display cable

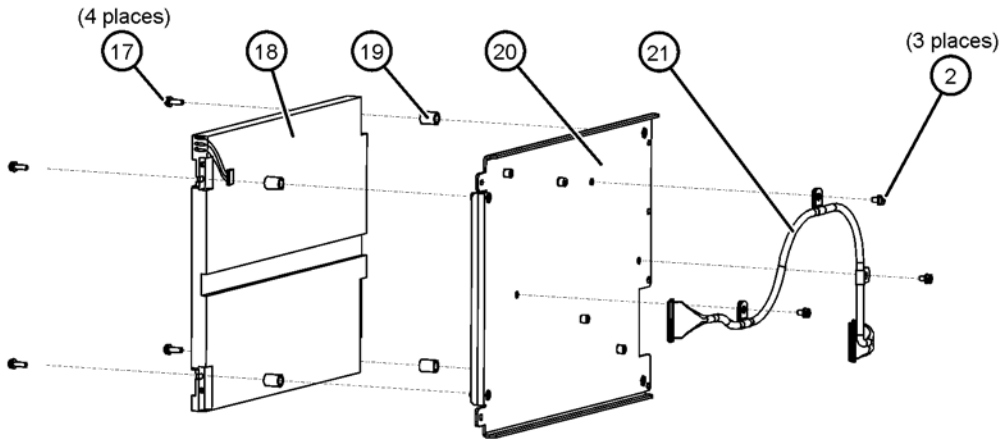
Refer to footnotes on the next page.

- a. The reference designators in the following list have all had part number changes, as indicated in the table. This was necessary because, in July 2008, Agilent began using a new vendor, requiring multiple part replacements. If you replace the old part number of a reference designator in the list with its new part number, you must also replace ALL of the other old part numbers of reference designators in the list with their new part numbers: A1, ③, ④, ⑩, 14 (circled), and 20 (circled).
- b. This part number change was made in order to be RoHS compliant. No other hardware replacements are required.

Figure 6-3 Front Panel Assembly, Back Side, All Options



A3 Display Assembly



n5242_001_601-2

Top Assemblies and Cables, All Options

Top Assemblies, All Options

IMPORTANT In February 2012, the N5241A and N5242A analyzers underwent significant hardware changes. These changes included a redesigned Signal Processing ADC Module (SPAM) board, 13.5 GHz (source 1, source 2, and LO) synthesizer boards, inner cover (retaining shield), left side inner bracket, and right side inner bracket. It is very important that this redesigned hardware be used only with analyzer serial numbers prefixed MY/SG/US5201 and above. If you have an analyzer whose serial number is prefixed MY/SG/US5150 and below, you must use the previous version of hardware rather than the redesigned hardware. Both versions of the top assemblies hardware are included in the following table.

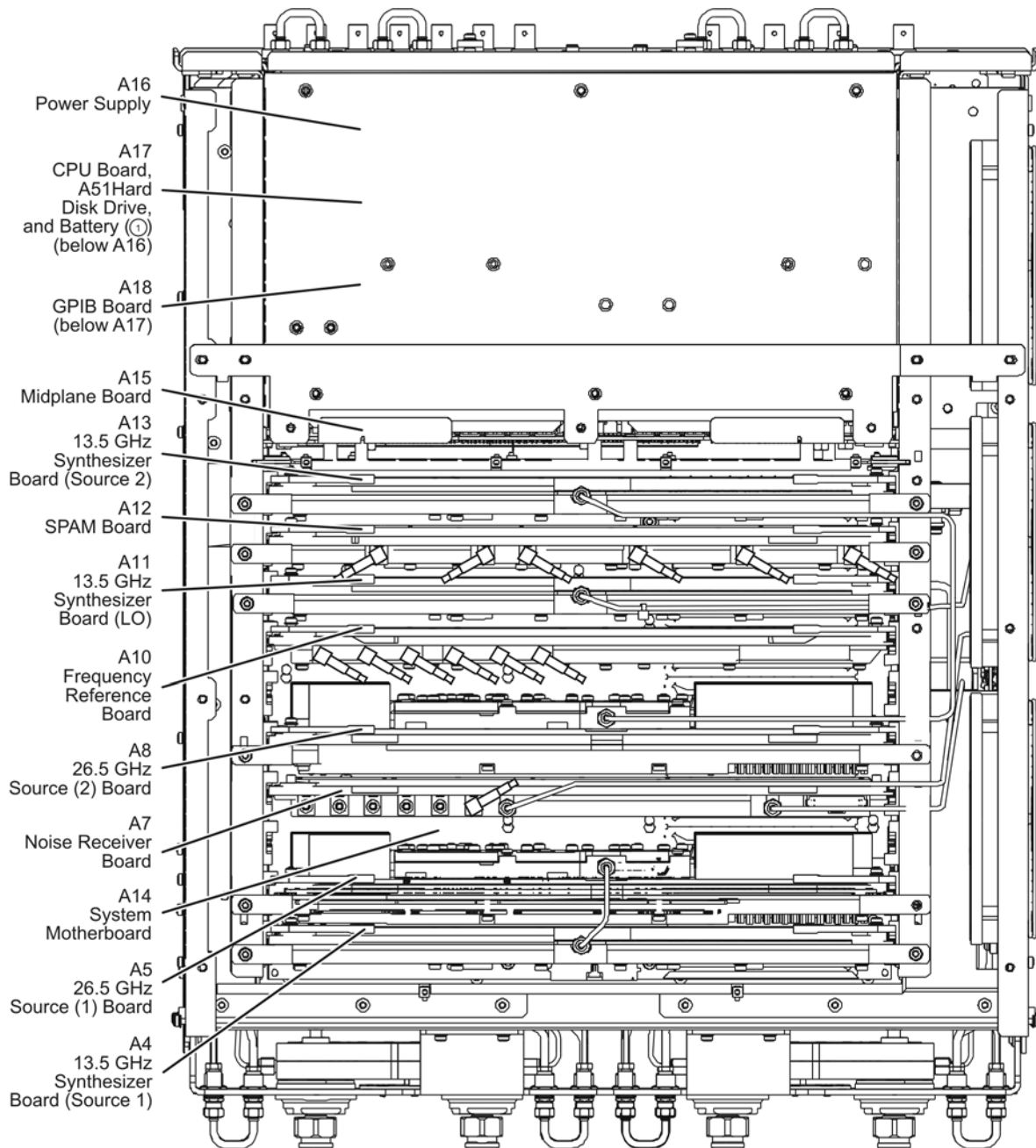
Be very careful to use the appropriate hardware in your analyzer. Using the wrong hardware can ruin analyzer components, resulting in additional customer costs.

Reference Designator	Serial Number Prefixes Affected	Part Number	Qty	Description
A4	MY/SG/US5201 and above	N5242-60150	1	13.5 GHz (source 1) synthesizer board
	MY/SG/US5150 and below	N5242-60166 Was N5230-60002 ^a		
A5	All prefixes	5087-7307	1	26.5 GHz source (1) board
A6	All prefixes	Not used.		
A7	All prefixes	N5242-60098	1	Noise receiver board (Included only with Option 029.)
A8	All prefixes	5087-7307	1	26.5 GHz source (2) board (On 2-port models, this assembly is included only with Option 224.)
A9	All prefixes	Not used.		
A10	All prefixes	NN5240-60061 Was N5240-60042	1	Frequency reference board
A11	MY/SG/US5201 and above	N5242-60150	1	13.5 GHz (LO) synthesizer board
	MY/SG/US5150 and below	N5242-60166 Was N5230-60002 ^a		
A12	MY/SG/US5201 and above	N5240-60056	1	Signal Processing ADC Module (SPAM) board
	MY/SG/US5150 and below	N5245-60126 Was N5240-60041, N5264-60005		

Reference Designator	Serial Number Prefixes Affected	Part Number	Qty	Description
A13	MY/SG/US5201 and above	N5242-60150	1	13.5 GHz (source 2) synthesizer board (On 2-port models, this assembly is included only with Option 224.)
	MY/SG/US5150 and below	N5242-60166 Was N5230-60002 ^a		
A14	All prefixes	N5242-60151 Was N5240-60044	1	System motherboard
A15	All prefixes	W1312-60095 Was W1312-60002	1	Midplane board
A16	All prefixes	0950-4934 Was 0950-4900, 0950-4457	1	Power supply
A17	All prefixes	W1312-60196 ^b Was W1312-60190, W1312-60068	1	CPU board assembly, Intel ® 2.0 GHz Core ® i7 ^c
A18	All prefixes	N5240-60059 Was N5240-60052	1	GPIO board
A51	All prefixes	N5242-60035 ^d	1	Hard disk drive (HDD) to be used with the older 1.6 GHz CPU board
	All prefixes	N5242-60044 ^e		Hard disk drive assembly (HDDA) to be used with the 2.0 GHz CPU board
①	All prefixes	1420-0356	1	Battery, lithium manganese dioxide, 3V, 0.22A-hr. ^f

- a. If any N5230-60002 13.5 GHz Synthesizer board in your PNA is replaced with the RoHS compliant N5242-60166 board, you must replace ALL of the other N5230-60002 boards. To help lower the price for customers who must replace three synthesizer boards in their PNA-X, Agilent provides kit N5242-60168 - containing three N5242-60166 boards - at a discounted price. Any spare boards may be retained for future repairs. You must also upgrade your PNA firmware to rev A09.33xx or above. Download PNA firmware at <http://na.tm.agilent.com/pna/firmware/firmware.html>.
- b. Replacing the older 1.6 GHz CPU board with this new 2.0 GHz CPU board requires ordering and installing a new A51 hard disk drive. The 1.6 GHz CPU board is no longer available.
- c. For the latest information on CPUs and associated drives, visit: na.tm.agilent.com/pna/hdnumbers.html.
- d. The A51 hard disk drive for the 1.6 GHz CPU board is located inside the A17 CPU board assembly. Refer to "Removing and Replacing the A51 Hard Disk Drive (HDDA)" on page 7-52 for an illustration.
- e. The A51 hard disk drive for the 2.0 GHz CPU board plugs into the A17 CPU board assembly from the rear panel and is replaced as an entire assembly. Refer to "Removing and Replacing the A51 Hard Disk Drive (HDDA)" on page 7-52 for an illustration.
- f. The lithium battery is located inside the A17 CPU board assembly. Refer to "Removing and Replacing the Lithium Battery" on page 7-68 for an illustration.

Figure 6-4. Top Assemblies, All Options



Some analyzers contain the N5242-60166 or N5230-60002 synthesizer board and the N5245-60126 SPAM board (not shown). These boards do not have tabs that attach to side rails with screws as shown above.

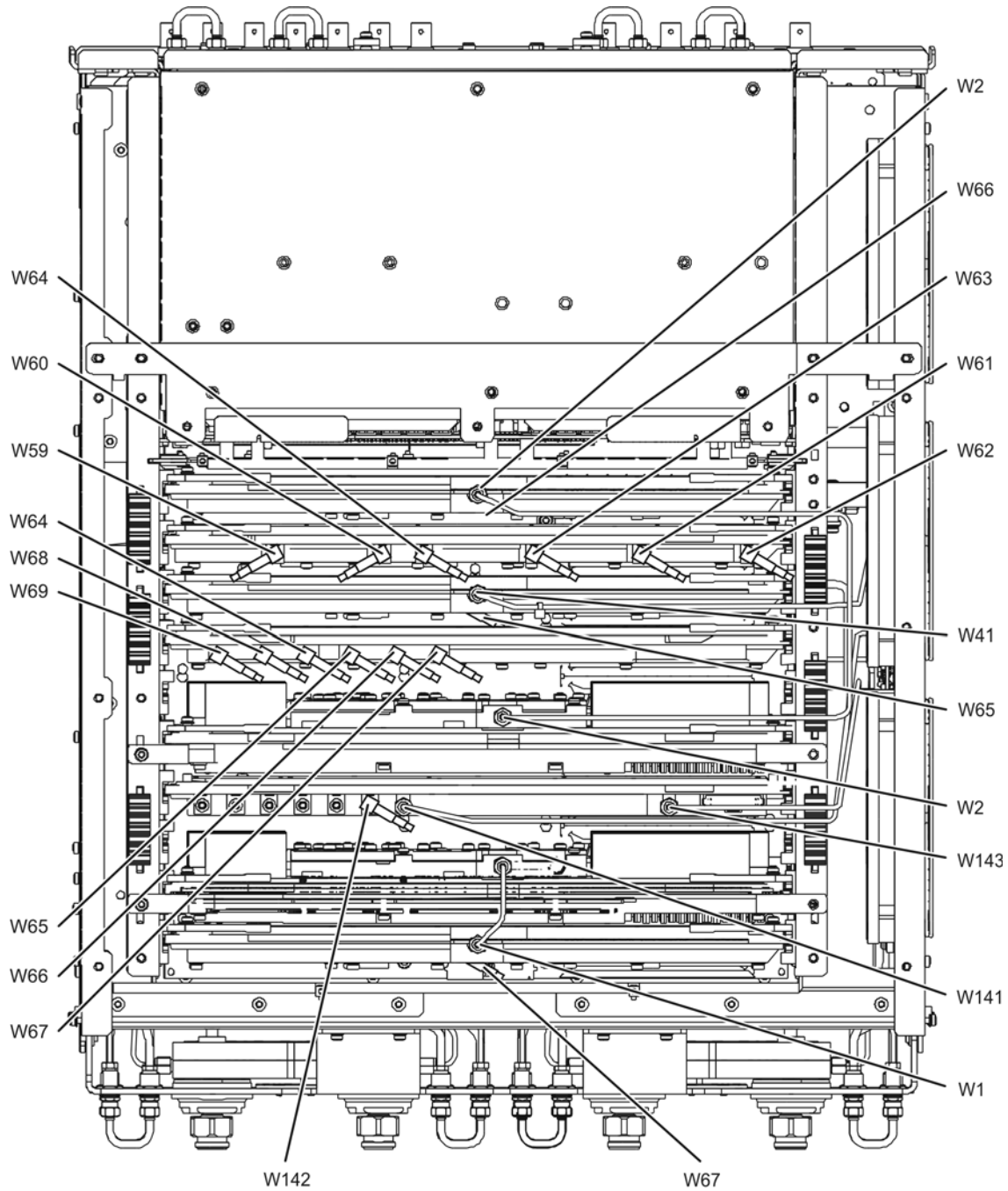
N5242_001_674

Top Cables, All Cables—All Options

Reference Designator	Type ^a	Part Number	Qty	Description
W1	SR	N5242-20109	1	A4 13.5 GHz (source 1) synthesizer board J1207 to A5 26.5 GHz source (1) board P1
W2	SR	N5242-20124	1	A13 13.5 GHz (source 2) synthesizer board J1207 to A8 26.5 GHz source (2) board P1
W41	SR	N5242-20110	1	A11 13.5 GHz (LO) synthesizer board J1207 to A21 HMA26.5
W59	F	N5242-60012	1	A20 IF multiplexer board P3 to A12 SPAM board J1
W60	F	N5242-60013	1	A20 IF multiplexer board P203 to A12 SPAM board J2
W61	F	N5242-60014	1	A20 IF multiplexer board P403 to A12 SPAM board J4
W62	F	N5242-60015	1	A20 IF multiplexer board P603 to A12 SPAM board J5
W63	F	N5242-60016	1	A20 IF multiplexer board P803 to A12 SPAM board J6
W64	F	N5242-60027	1	A10 frequency reference board J4 to A12 SPAM board J3
W65	F	N5242-60028	1	A10 frequency reference board J5 to A11 13.5 GHz (LO) synthesizer board J5
W66	F	N5242-60029	1	A10 frequency reference board J6 to A4 13.5 GHz (source 1) synthesizer board J5
W67	F	N5242-60030	1	A10 frequency reference board J7 to A13 13.5 GHz (source 2) synthesizer board J5
W68	F	8120-5063	2	A10 frequency reference board J3 to rear-panel 10 MHz REF OUT
W69				Rear-panel 10 MHz REF IN to A10 frequency reference board J2
W141	SR	N5242-20129	1	A55 noise downconverter to A7 noise receiver board LO
W142	F	N5242-60041	1	A55 noise downconverter J4 to A7 noise receiver board LO
W143	SR	N5242-20130	1	A55 noise downconverter to A7 noise receiver board P2

a. SR = semirigid coaxial cable; F = flexible coaxial cable; nR = n wires in a ribbon (flat) cable; nW = n wires in a wire harness

Figure 6-5 Top Cables, All Cables—All Options



n5242_001_603

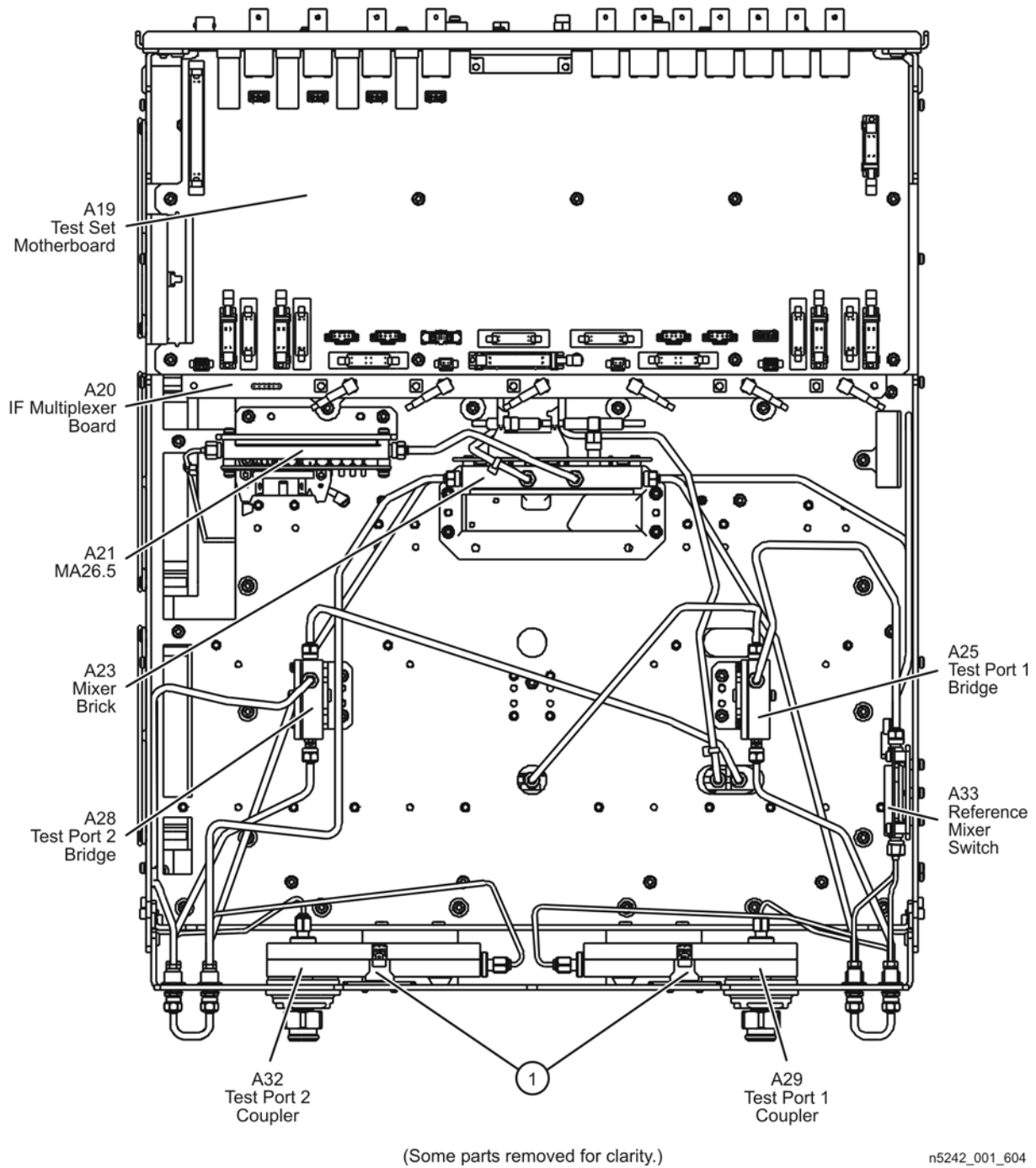
2-Port Configuration, Option 200

Bottom Assemblies, Standard 2-Port Configuration, Option 200

Reference Designator	Part Number ^a	Qty	Description
A19	N5245-60003 <i>Was N5240-60043</i>	1	Test set motherboard
A20	N5240-60062 <i>Was N5240-60045</i>	1	IF multiplexer board
A21	5087-7711	1	LO Multiplier/amplifier 26.5 (HMA26.5)
A23	5087-7722 <i>Was 5087-7308</i>	1	Mixer brick
A25 A28	5087-7315	2	Test port 1 bridge Test port 2 bridge
A29 A32	5087-7710	2	Test port 1 coupler Test port 2 coupler
A33	N5240-60048	1	Reference mixer switch
①	N5240-60058 <i>Was N5240-60051</i>	2	Front panel LED board

a. Part numbers in *italic* typeface are for rebuilt exchange assemblies. Refer to [“Rebuilt-Exchange Assemblies” on page 6-5](#).

Figure 6-6 Bottom Assemblies, Standard 2-Port Configuration, Option 200

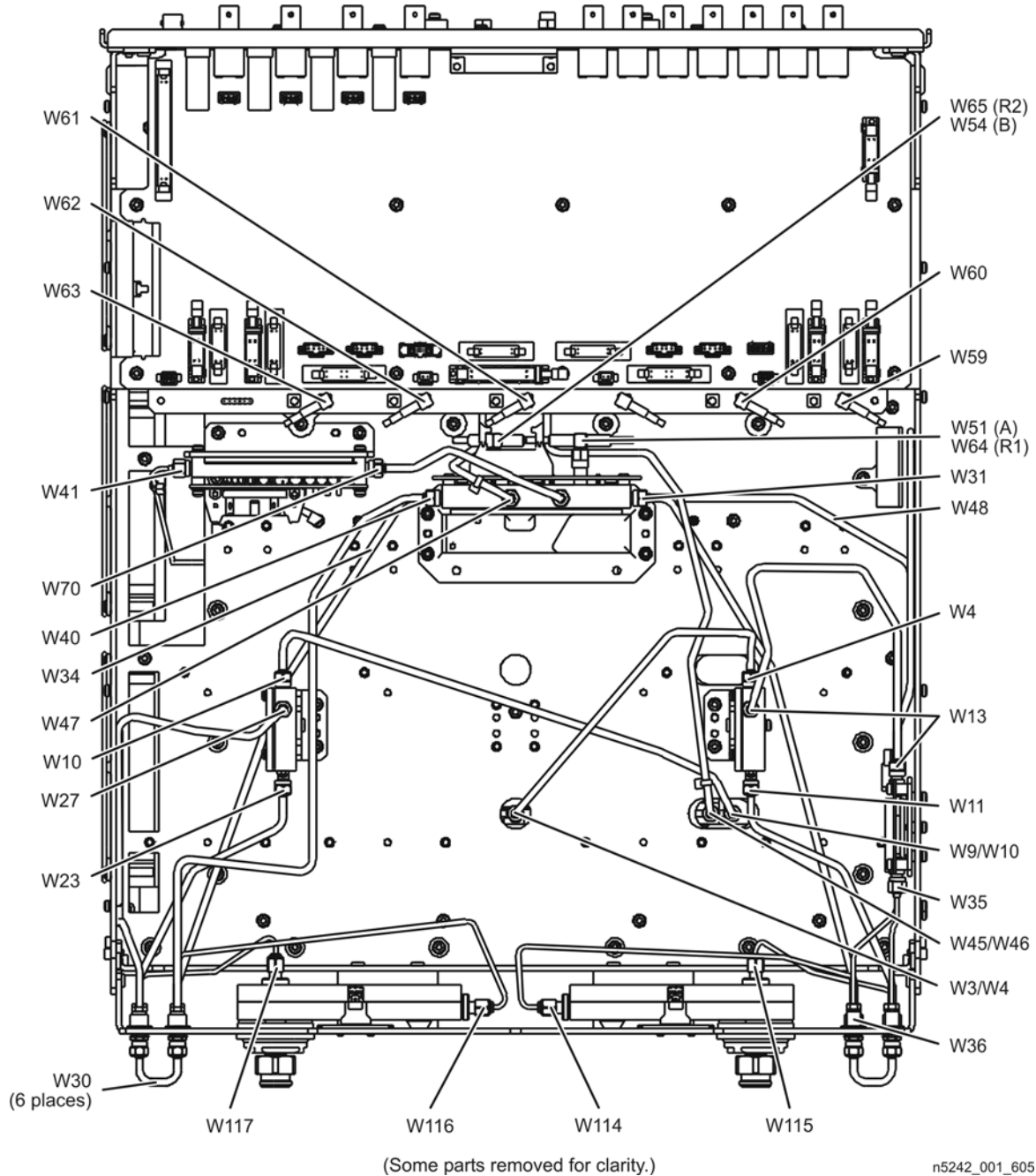


Bottom RF Cables, Standard 2-Port Configuration, Option 200

Reference Designator	Type ^a	Part Number	Qty	Description
W3	SR	N5242-20091	1	A5 source (1) to W4
W4	SR	N5242-20050	1	W3 to A25 port 1 bridge
W9	SR	N5242-20092	1	A5 source (1) to W10
W10	SR	N5242-20053	1	W9 to A28 port 2 bridge
W11	SR	N5242-20054	1	A25 port 1 bridge to front-panel Port 1 SOURCE OUT
W13	SR	N5242-20011	1	A25 port 1 bridge to A33 reference mixer switch
W23	SR	N5242-20061	1	A28 port 2 bridge to front-panel Port 2 SOURCE OUT
W27	SR	N5242-20079	1	A28 port 2 bridge to front-panel REF 2 SOURCE OUT
W30	SR	E8356-20072	6	Front panel jumper
W31	SR	N5242-20056	1	Port 1 RCVR A IN to A23 mixer brick (A)
W34	SR	N5242-20062	1	Port 2 RCVR B IN to A23 mixer brick (B)
W35	SR	N5242-20043	1	A33 reference mixer switch to front-panel REF 1 SOURCE OUT
W36	SR	N5242-20042	1	REF 1 RCVR R1 IN to A33 reference mixer switch
W40	SR	N5242-20049	1	REF 2 RCVR R2 IN to A23 mixer brick (R2)
W41	SR	N5242-20110	1	A11 13.5 GHz synthesizer to A21 HMA26.5
W45	SR	N5242-20093	1	A5 source (1) to W46
W46	SR	N5242-20090	1	W46 to rear-panel EXT TSET DRIVE RF OUT (J6)
W47	SR	N5242-20089	1	A23 mixer brick to EXT TSET DRIVE LO OUT (J5)
W48	SR	N5242-20076	1	A33 reference mixer switch to A23 mixer brick (R1)
W51	F	N5242-60017	1	A23 mixer brick (A) to A20 IF multiplexer (P1)
W54	F	N5242-60018	1	A23 mixer brick (B) to A20 IF multiplexer (P201)
W59	F	N5242-60012	1	A20 IF multiplexer (P3) to A12 SPAM (J1)
W60	F	N5242-60013	1	A20 IF multiplexer (P203) to A12 SPAM (J2)
W61	F	N5242-60014	1	A20 IF multiplexer (P403) to A12 SPAM (J4)
W62	F	N5242-60015	1	A20 IF multiplexer (P603) to A12 SPAM (J5)
W63	F	N5242-60016	1	A20 IF multiplexer (P803) to A12 SPAM (J6)
W64	F	N5242-60025	1	A23 mixer brick (R1) to A20 IF multiplexer (P601)
W65	F	N5242-60026	1	A23 mixer brick (R2) to A20 IF multiplexer (P801)
W70	SR	N5242-20123	1	A21 HMA26.5 to A23 mixer brick
W114	SR	N5242-20111	1	Port 1 CPLR THRU to A29 port 1 coupler
W115	SR	N5242-20113	1	A29 port 1 coupler to front-panel Port 1 CPLR ARM
W116	SR	N5242-20112	1	Port 2 CPLR THRU to A32 port 2 coupler
W117	SR	N5242-20114	1	A32 port 2 coupler to front-panel Port 2 CPLR ARM

a. SR = semirigid coaxial cable; F = flexible coaxial cable

Figure 6-7 Bottom RF Cables, Standard 2-Port Configuration, Option 200

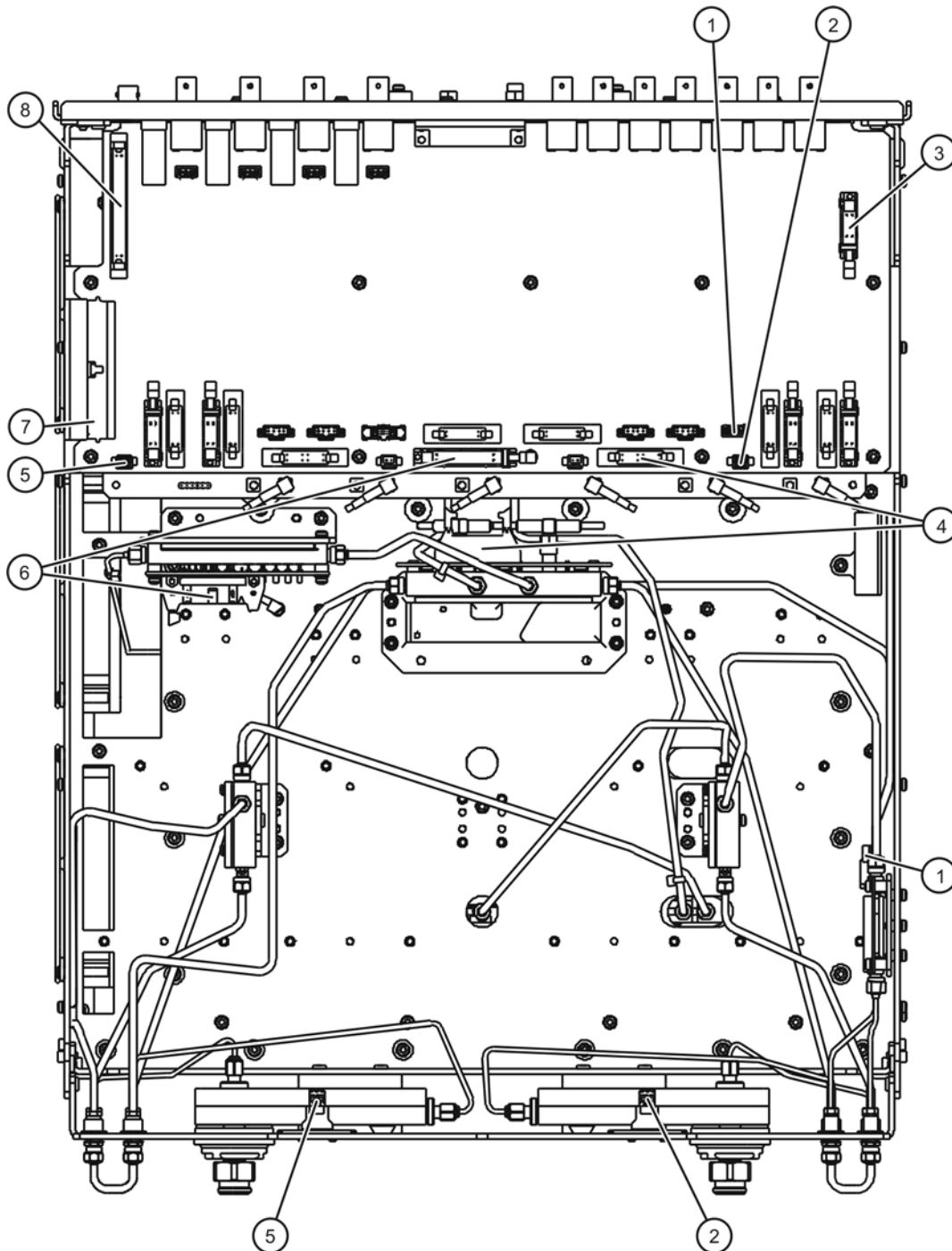


Bottom Ribbon Cables and Wire Harnesses, Standard 2-Port Configuration, Option 200

Reference Designator	Type ^a	Part Number	Description
①	4W	N5242-60002	A19 test set motherboard J3 to A33 reference mixer switch
②	3W	N5242-60009	A19 test set motherboard J221 to port 1 LED board J1
③	10R	N5242-60005	Rear-panel PWR I/O to A19 test set motherboard J301
④	16R	N5242-60006	A19 test set motherboard J212 to A23 mixer brick (1)
⑤	3W	N5242-60009	A19 test set motherboard J222 to port 2 LED board J1
⑥	24R	N5242-60011	A19 test set motherboard J209 to A21 HMA26.5
⑦	100R	N5242-60004	A14 system motherboard J1 to A19 test set motherboard J1 to A20 IF multiplexer board J1
⑧	36R	8121-0834	Rear-panel HANDLER I/O to A19 test set motherboard J400

a. nR = n wires in a ribbon (flat) cable; nW = n wires in a wire harness

Figure 6-8 Bottom Ribbon Cables and Wire Harnesses, Standard 2-Port Configuration, Option 200



(Some parts removed for clarity.)

n5242_001_606

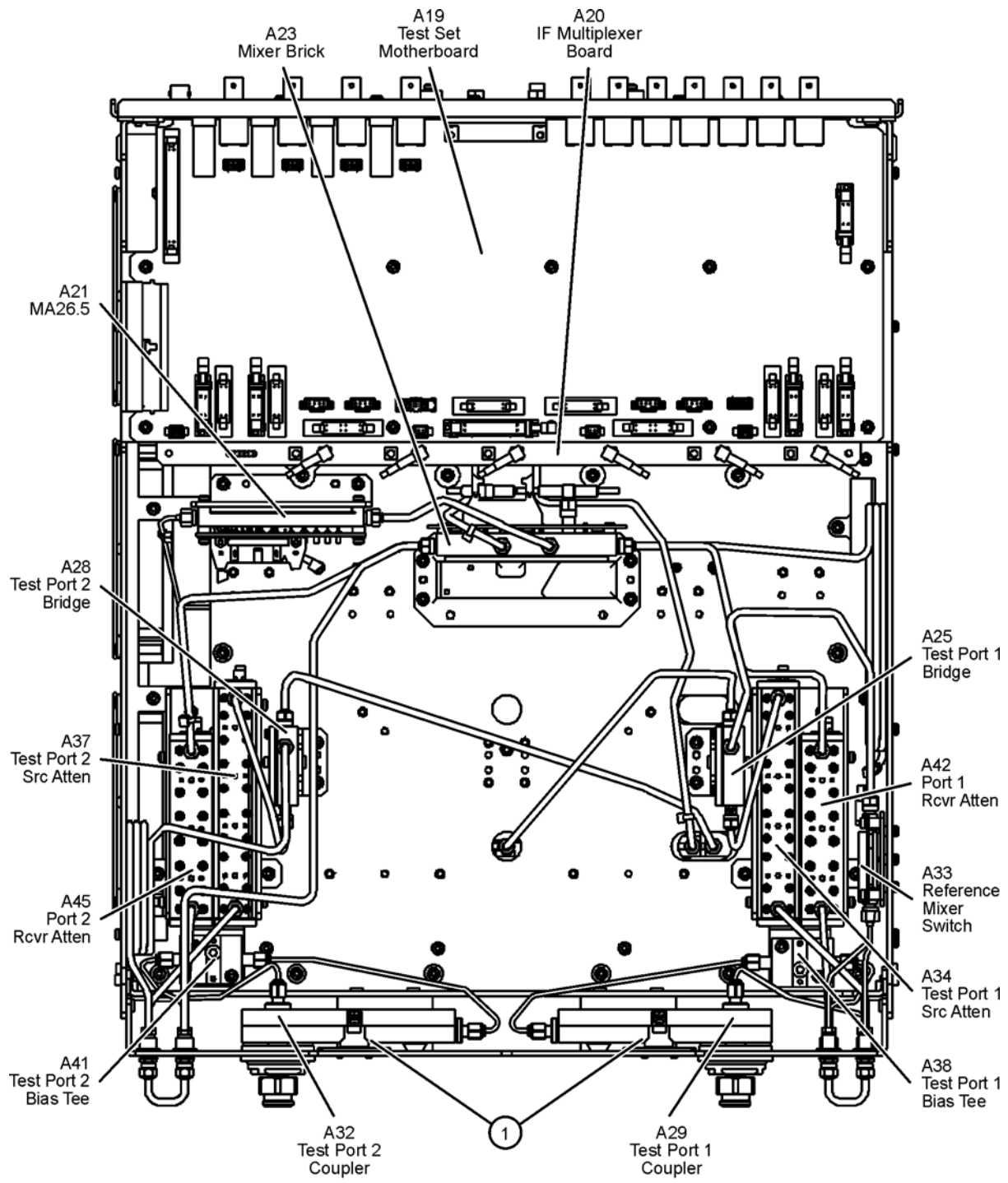
2-Port Configuration, Options 200/219

Bottom Assemblies, 2-Port, Options 200/219

Reference Designator	Part Number ^a	Qty	Description
A19	N5245-60003 <i>Was N5240-60043</i>	1	Test set motherboard
A20	N5240-60062 <i>Was N5240-60045</i>	1	IF multiplexer board
A21	5087-7711	1	LO Multiplier/amplifier 26.5 (HMA26.5)
A23	5087-7722 <i>Was 5087-7308</i>	1	Mixer brick
A25 A28	5087-7315	2	Test port 1 bridge Test port 2 bridge
A29 A32	5087-7710	2	Test port 1 coupler Test port 2 coupler
A33	N5240-60048	1	Reference mixer switch
A34 A37	33321-60070	2	Test port 1 source attenuator Test port 2 source attenuator
A38 A41	5087-7781 <i>Was 5087-7239</i>	2	Test port 1 bias tee (includes wire harness) Test port 2 bias tee (includes wire harness)
A42 A45	33321-60066	2	Port 1 receiver attenuator Port 2 receiver attenuator
①	N5240-60058 <i>Was N5240-60051</i>	2	Front panel LED board

a. Part numbers in *italic* typeface are for rebuilt exchange assemblies. Refer to [“Rebuilt-Exchange Assemblies”](#) on page 6-5.

Figure 6-9 Bottom Assemblies, 2-Port, Options 200/219



(Some parts removed for clarity.)

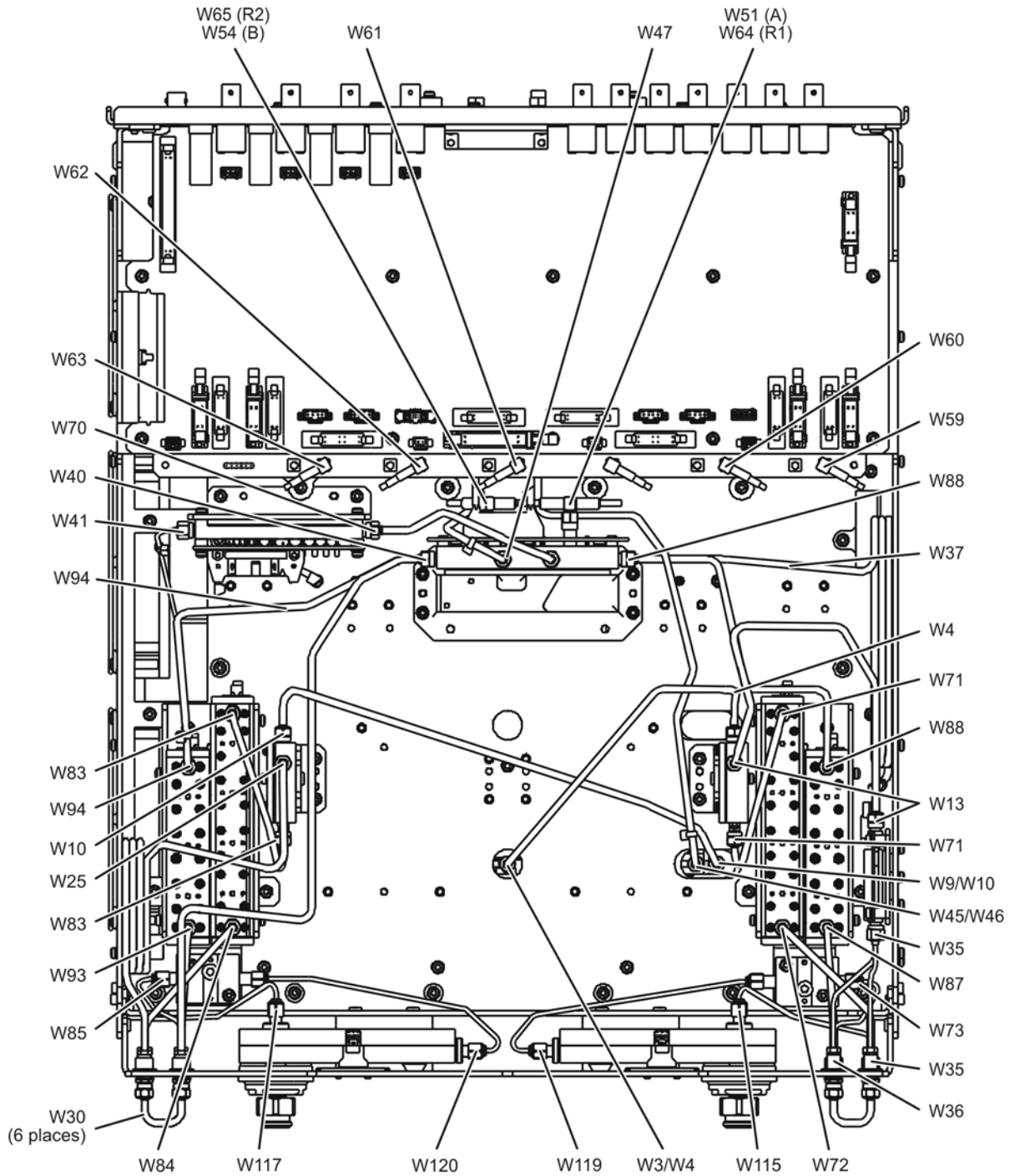
n5242_001_638

Bottom RF Cables, 2-Port, Options 200/219

Reference Designator	Type ^a	Part Number	Qty	Description
W3	SR	N5242-20091	1	A5 source (1) to W4
W4	SR	N5242-20050	1	W3 to A25 port 1 bridge
W9	SR	N5242-20092	1	A5 source (1) to W10
W10	SR	N5242-20053	1	W9 to A28 port 2 bridge
W13	SR	N5242-20011	1	A25 port 1 bridge to A33 reference mixer switch
W25	SR	N5242-20048	1	A28 port 2 bridge to front-panel REF 2 SOURCE OUT
W30	SR	E8356-20072	6	Front panel jumper
W35	SR	N5242-20043	1	A33 reference mixer switch to front-panel REF 1 SOURCE OUT
W36	SR	N5242-20042	1	Front-panel REF 1 RCVR R1 IN to A33 reference mixer switch
W37	SR	N5242-20009	1	A33 reference mixer switch to A23 mixer brick (R1)
W40	SR	N5242-20049	1	Front-panel REF 2 RCVR R2 IN to A23 mixer brick (R2)
W41	SR	N5242-20110	1	A11 13.5 GHz synthesizer to A21 HMA26.5
W45	SR	N5242-20093	1	A5 source (1) to W46
W46	SR	N5242-20090	1	W46 to rear-panel EXT TSET DRIVE RF OUT (J6)
W47	SR	N5242-20089	1	A23 mixer brick to rear-panel EXT TSET DRIVE LO OUT (J5)
W51	F	N5242-60017	1	A23 mixer brick (A) to A20 IF multiplexer (P1)
W54	F	N5242-60018	1	A23 mixer brick (B) to A20 IF multiplexer (P201)
W59	F	N5242-60012	1	A20 IF multiplexer (P3) to A12 SPAM (J1)
W60	F	N5242-60013	1	A20 IF multiplexer (P203) to A12 SPAM (J2)
W61	F	N5242-60014	1	A20 IF multiplexer (P403) to A12 SPAM (J4)
W62	F	N5242-60015	1	A20 IF multiplexer (P603) to A12 SPAM (J5)
W63	F	N5242-60016	1	A20 IF multiplexer (P803) to A12 SPAM (J6)
W64	F	N5242-60025	1	A23 mixer brick (R1) to A20 IF multiplexer (P601)
W65	F	N5242-60026	1	A23 mixer brick (R2) to A20 IF multiplexer (P801)
W70	SR	N5242-20123	1	A21 HMA26.5 to A23 mixer brick
W71	SR	N5242-20005	1	A25 port 1 bridge to A34 port 1 source attenuator
W72	SR	N5242-20038	1	A34 port 1 source attenuator to front-panel Port 1 SOURCE OUT
W73	SR	N5242-20039	1	Front-panel Port 1 CPLR THRU to A38 port 1 bias tee
W83	SR	N5242-20002	1	A28 port 2 bridge to A37 port 2 source attenuator
W84	SR	N5242-20046	1	A37 port 2 source attenuator to front-panel Port 2 SOURCE OUT
W85	SR	N5242-20045	1	Front-panel Port 2 CPLR THRU to A41 port 2 bias tee
W87	SR	N5242-20041	1	Front-panel Port 1 RCVR A IN to A42 port 1 receiver attenuator
W88	SR	N5242-20010	1	A42 port 1 receiver attenuator to A23 mixer brick (A)
W93	SR	N5242-20047	1	Front-panel Port 2 RCVR B IN to A45 port 2 receiver attenuator
W94	SR	N5242-20016	1	A45 port 2 receiver attenuator to A23 mixer brick (B)
W115	SR	N5242-20113	1	A29 port 1 coupler to front-panel Port 1 CPLR ARM
W117	SR	N5242-20114	1	A32 port 2 coupler to front-panel Port 2 CPLR ARM
W119	SR	N5242-20115	1	A38 port 1 bias tee to A29 port 1 coupler
W120	SR	N5242-20108	1	A41 port 2 bias tee to A32 port 2 coupler

a. SR = semirigid coaxial cable; F = flexible coaxial cable

Figure 6-10 Bottom RF Cables, 2-Port, Options 200/219



(Some parts removed for clarity.)

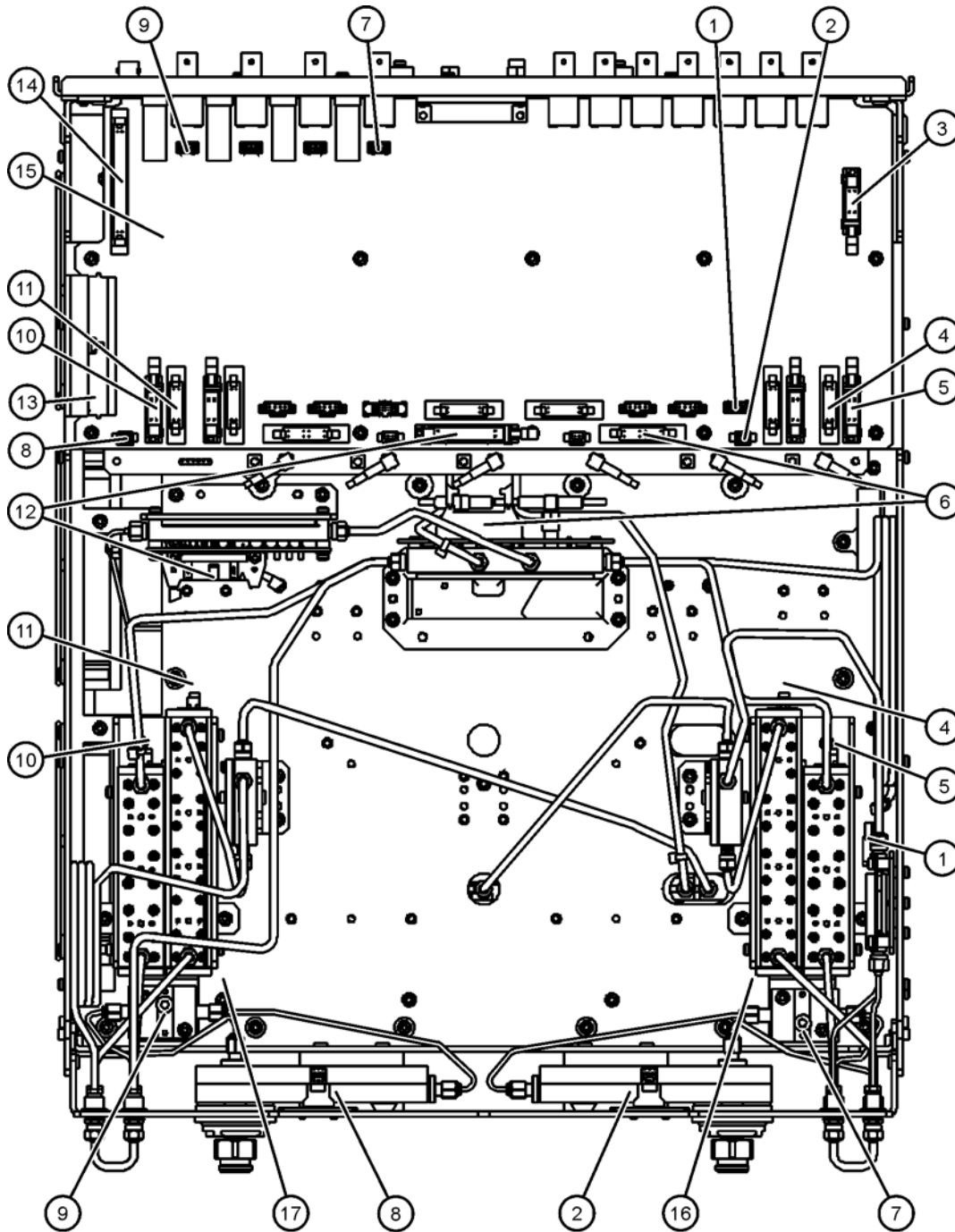
n5242_001_608

Bottom Ribbon Cables and Wire Harnesses, 2-Port, Options 200/219

Reference Designator	Type ^a	Part Number	Description
①	4W	N5242-60002	A19 test set motherboard J3 to A33 reference mixer switch
②	3W	N5242-60009	A19 test set motherboard J221 to port 1 LED board J1
③	10R	N5242-60005	Rear-panel PWR I/O to A19 test set motherboard J301
④	14R	N5242-60008	A19 test set motherboard J201 to A34 port 1 source attenuator
⑤	10R	N5242-60007	A19 test set motherboard J205 to A42 port 1 receiver attenuator
⑥	16R	N5242-60006	A19 test set motherboard J212 to A23 mixer brick (1)
⑦	2W	--	A19 test set motherboard J541 to A38 port 1 bias tee
⑧	3W	N5242-60009	A19 test set motherboard J222 to port 2 LED board J1
⑨	2W	--	A19 test set motherboard J544 to A41 port 2 bias tee
⑩	10R	N5242-60007	A19 test set motherboard J208 to A45 port 2 receiver attenuator
⑪	14R	N5242-60008	A19 test set motherboard J204 to A37 port 2 source attenuator
⑫	24R	N5242-60011	A19 test set motherboard J209 to A21 HMA26.5
⑬	100R	N5242-60004	A14 system motherboard J1 to A19 test set motherboard J1 to A20 IF multiplexer board J1
⑭	36R	8121-0834	Rear-panel HANDLER I/O to A19 test set motherboard J400

a. nR = n wires in a ribbon (flat) cable; nW = n wires in a wire harness

Figure 6-11 Bottom Ribbon Cables and Wire Harnesses, 2-Port, Options 200/219



(Some parts removed for clarity.)

n5242_001_639

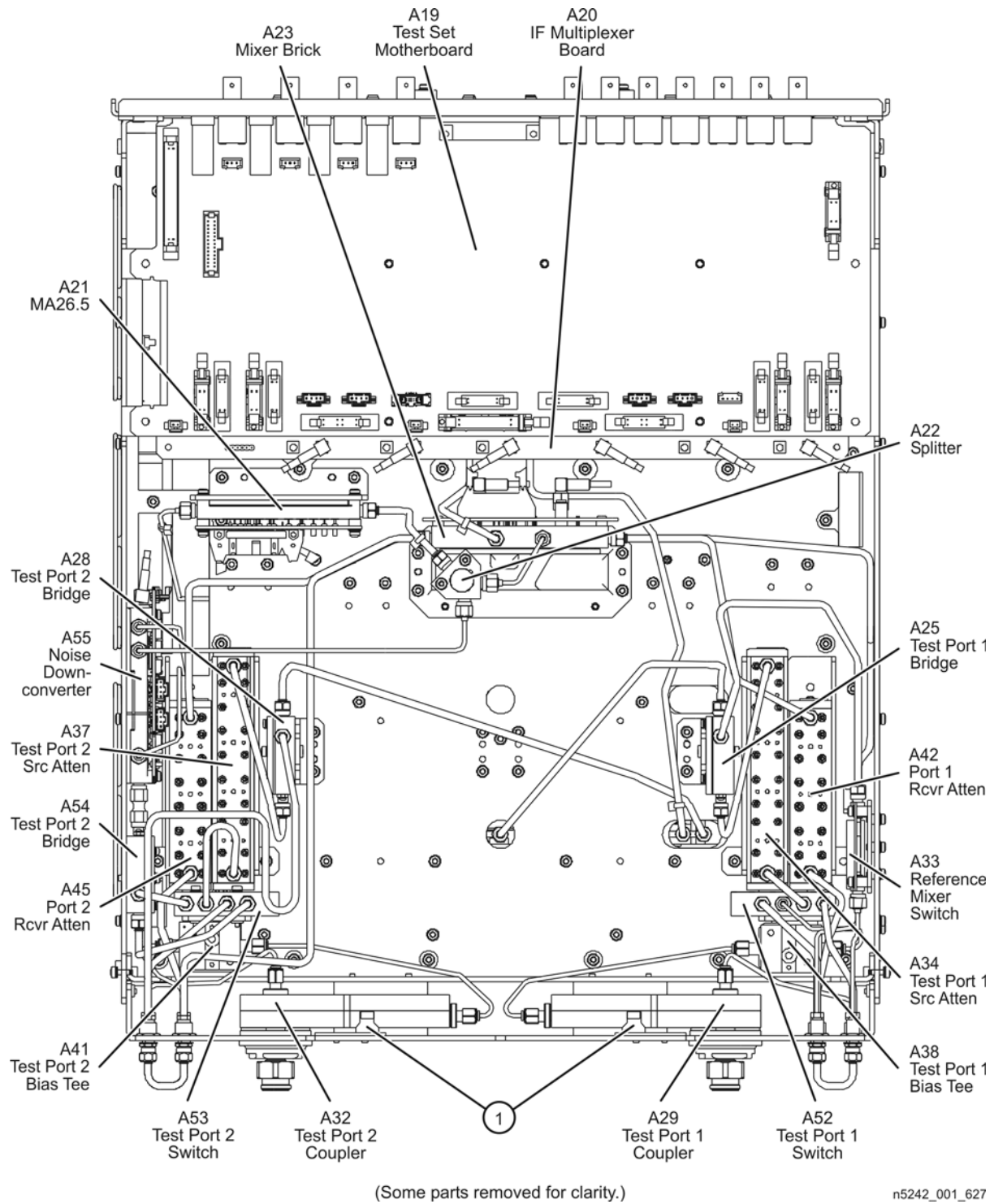
2-Port Configuration, Options 200/219/029

Bottom Assemblies, 2-Port, Options 200/219/029

Reference Designator	Part Number ^a	Qty	Description
A19	N5245-60003 <i>Was N5240-60043</i>	1	Test set motherboard
A20	N5240-60062 <i>Was N5240-60045</i>	1	IF multiplexer board
A21	5087-7711	1	LO Multiplier/amplifier 26.5 (HMA26.5)
A22	5087-7139 <i>5087-6139</i>	1	Splitter (Option 029 only)
A23	5087-7722 <i>Was 5087-7308</i>	1	Mixer brick
A25 A28	5087-7315	2	Test port 1 bridge Test port 2 bridge
A29 A32	5087-7710	2	Test port 1 coupler Test port 2 coupler
A33	N5240-60048	1	Reference mixer switch
A34 A37	33321-60070	2	Test port 1 source attenuator Test port 2 source attenuator
A38 A41	5087-7781 <i>Was 5087-7239</i>	2	Test port 1 bias tee (includes wire harness) Test port 2 bias tee (includes wire harness)
A42 A45	33321-60066	2	Port 1 receiver attenuator Port 2 receiver attenuator
A52	N1811-60030 <i>Was N1811-60008</i>	1	Test port 1 noise bypass switch (Option 029 only)
A53	N1811-60028 <i>Was N1811-60006</i>	1	Test port 2 noise bypass switch (Option 029 only)
A54	5087-7729 <i>Was 5087-7315</i>	1	Test port 2 bridge (Option 029 only)
A55	5087-7767 <i>Was 5087-7316</i>	1	Noise downconverter (Option 029 only)
①	N5240-60058 <i>Was N5240-60051</i>	2	Front panel LED board

a. Part numbers in *italic* typeface are for rebuilt exchange assemblies. Refer to “Rebuilt-Exchange Assemblies” on page 6-5.

Figure 6-12 Bottom Assemblies, 2-Port, Options 200/219/029



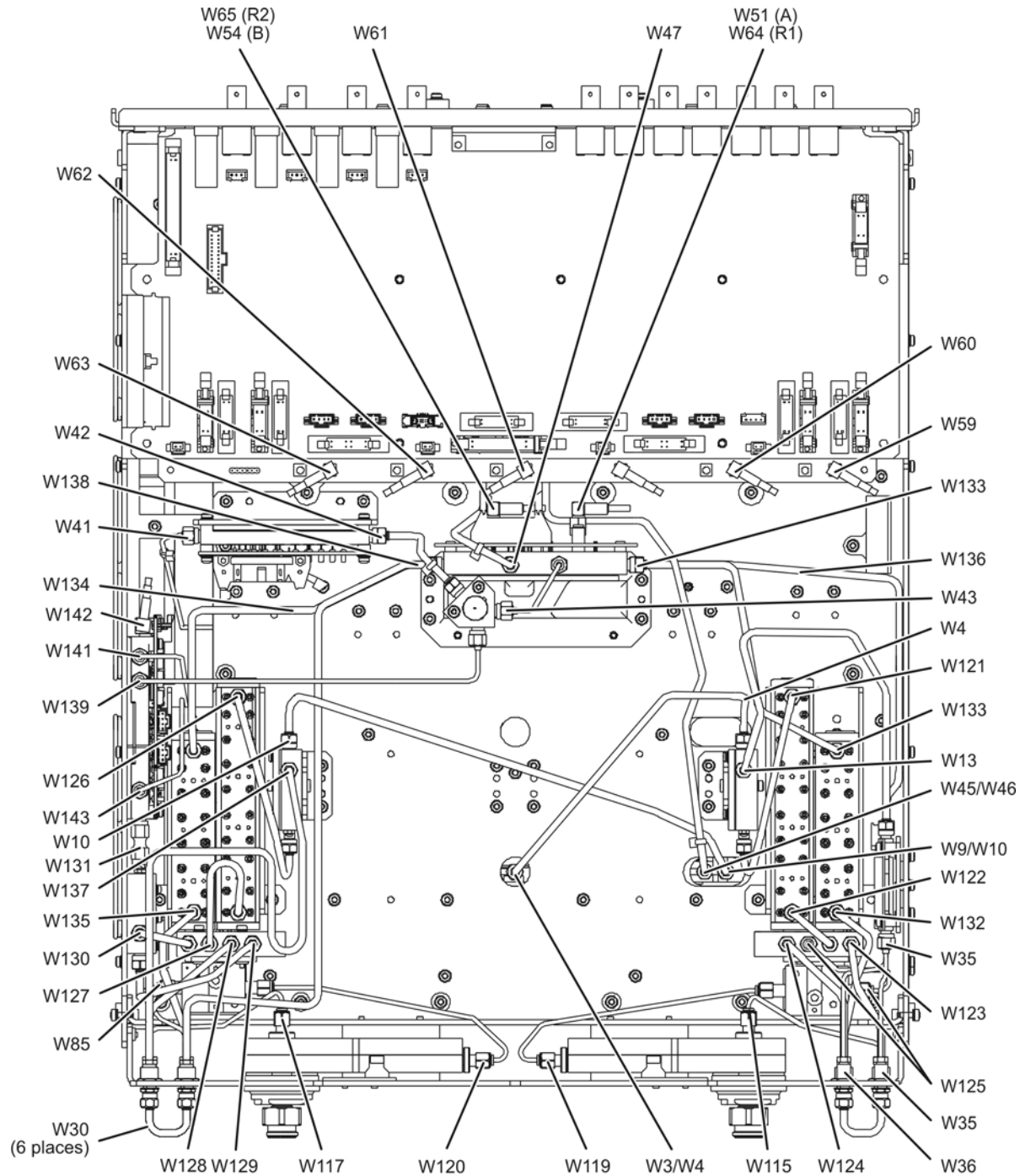
Bottom RF Cables, 2-Port, Options 200/219/029

Reference Designator	Type ^a	Part Number	Qty	Description
W3	SR	N5242-20091	1	A5 source (1) to W4
W4	SR	N5242-20050	1	W3 to A25 port 1 bridge
W9	SR	N5242-20092	1	A5 source (1) to W10
W10	SR	N5242-20053	1	W9 to A28 port 2 bridge
W13	SR	N5242-20011	1	A25 port 1 bridge to A33 reference mixer switch
W30	SR	E8356-20072	6	Front panel jumper
W35	SR	N5242-20043	1	A33 reference mixer switch to front-panel REF 1 SOURCE OUT
W36	SR	N5242-20042	1	Front-panel REF 1 RCVR R1 IN to A33 reference mixer switch
W41	SR	N5242-20110	1	A11 13.5 GHz synthesizer to A21 HMA26.5
W42	SR	N5242-20015	1	A21 HMA26.5 to A22 splitter
W43	SR	N5242-20013	1	A22 splitter to A23 mixer brick
W45	SR	N5242-20093	1	A5 source (1) to W46
W46	SR	N5242-20090	1	W46 to rear-panel EXT TSET DRIVE RF OUT (J6)
W47	SR	N5242-20089	1	A23 mixer brick to rear-panel EXT TSET DRIVE LO OUT (J5)
W51	F	N5242-60017	1	A23 mixer brick (A) to A20 IF multiplexer (P1)
W54	F	N5242-60018	1	A23 mixer brick (B) to A20 IF multiplexer (P201)
W59	F	N5242-60012	1	A20 IF multiplexer (P3) to A12 SPAM (J1)
W60	F	N5242-60013	1	A20 IF multiplexer (P203) to A12 SPAM (J2)
W61	F	N5242-60014	1	A20 IF multiplexer (P403) to A12 SPAM (J4)
W62	F	N5242-60015	1	A20 IF multiplexer (P603) to A12 SPAM (J5)
W63	F	N5242-60016	1	A20 IF multiplexer (P803) to A12 SPAM (J6)
W64	F	N5242-60025	1	A23 mixer brick (R1) to A20 IF multiplexer (P601)
W65	F	N5242-60026	1	A23 mixer brick (R2) to A20 IF multiplexer (P801)
W85	SR	N5242-20045	1	Front-panel Port 2 CPLR THRU to A41 port 2 bias tee
W115	SR	N5242-20113	1	A29 port 1 coupler to front-panel Port 1 CPLR ARM
W117	SR	N5242-20114	1	A32 port 2 coupler to front-panel Port 2 CPLR ARM
W119	SR	N5242-20115	1	A38 port 1 bias tee to A29 port 1 coupler
W120	SR	N5242-20108	1	A41 port 2 bias tee to A32 port 2 coupler
W121	SR	N5242-20067	1	A25 port 1 bridge to A34 port 1 source attenuator
W122	SR	N5242-20147 Was N5242-20128	1	A34 port 1 source attenuator to A52 port 1 noise bypass switch
W123	SR	N5242-20127	1	A52 port 1 noise bypass switch to frnt pnl Port 1 SOURCE OUT
W124	SR	N5242-20125	1	Front-panel Port 1 CPLR THRU to A52 port 1 bypass switch
W125	SR	N5242-20126	1	A52 port 1 noise bypass switch to A38 port 1 bias tee
W126	SR	N5242-20066	1	A28 port 2 bridge to A37 port 2 source attenuator
W127	SR	N5242-20116	1	A37 port 2 source attenuator to A53 port 2 noise bypass switch
W128	SR	N5242-20134	1	A53 port 2 noise bypass switch to frnt pnl Port 2 SOURCE OUT
W129	SR	N5242-20117	1	A53 port 2 noise bypass switch to A54 port 2 bridge
W130	SR	N5242-20148	1	A53 port 2 noise bypass switch to A54 port 2 bridge
W131	SR	1250-3576	1	Adapter, coax, straight, m-m, 50 ohm
W132	SR	N5242-20072	1	Front-panel Port 1 RCVR A IN to A42 port 1 receiver attenuator
W133	SR	N5242-20069	1	A42 port 1 receiver attenuator to A23 mixer brick (A)
W134	SR	N5242-20070	1	A45 port 2 receiver attenuator to A23 mixer brick (B)
W135	SR	N5242-20073	1	Front-panel Port 2 RCVR B IN to A45 port 2 receiver attenuator
W136	SR	N5242-20068	1	A33 reference mixer switch to A23 mixer brick (R1)
W137	SR	N5242-20074	1	A28 port 2 bridge to front-panel REF 2 SOURCE OUT
W138	SR	N5242-20075	1	Front-panel REF 2 RCVR R2 IN to A23 mixer brick (R2)
W139	SR	N5242-20131	1	A22 splitter to A55 noise downconverter
W141	SR	N5242-20129	1	A55 noise downconverter to A7 noise receiver board LO

Reference Designator	Type ^a	Part Number	Qty	Description
W142	F	N5242-60041	1	A55 noise downconverter J4 to A7 noise receiver board J9
W143	SR	N5242-20130	1	A55 noise downconverter to A7 noise receiver board RF

a. SR = semirigid coaxial cable; F = flexible coaxial cable

Figure 6-13 Bottom RF Cables, 2-Port, Options 200/219/029



(Some parts removed for clarity.)

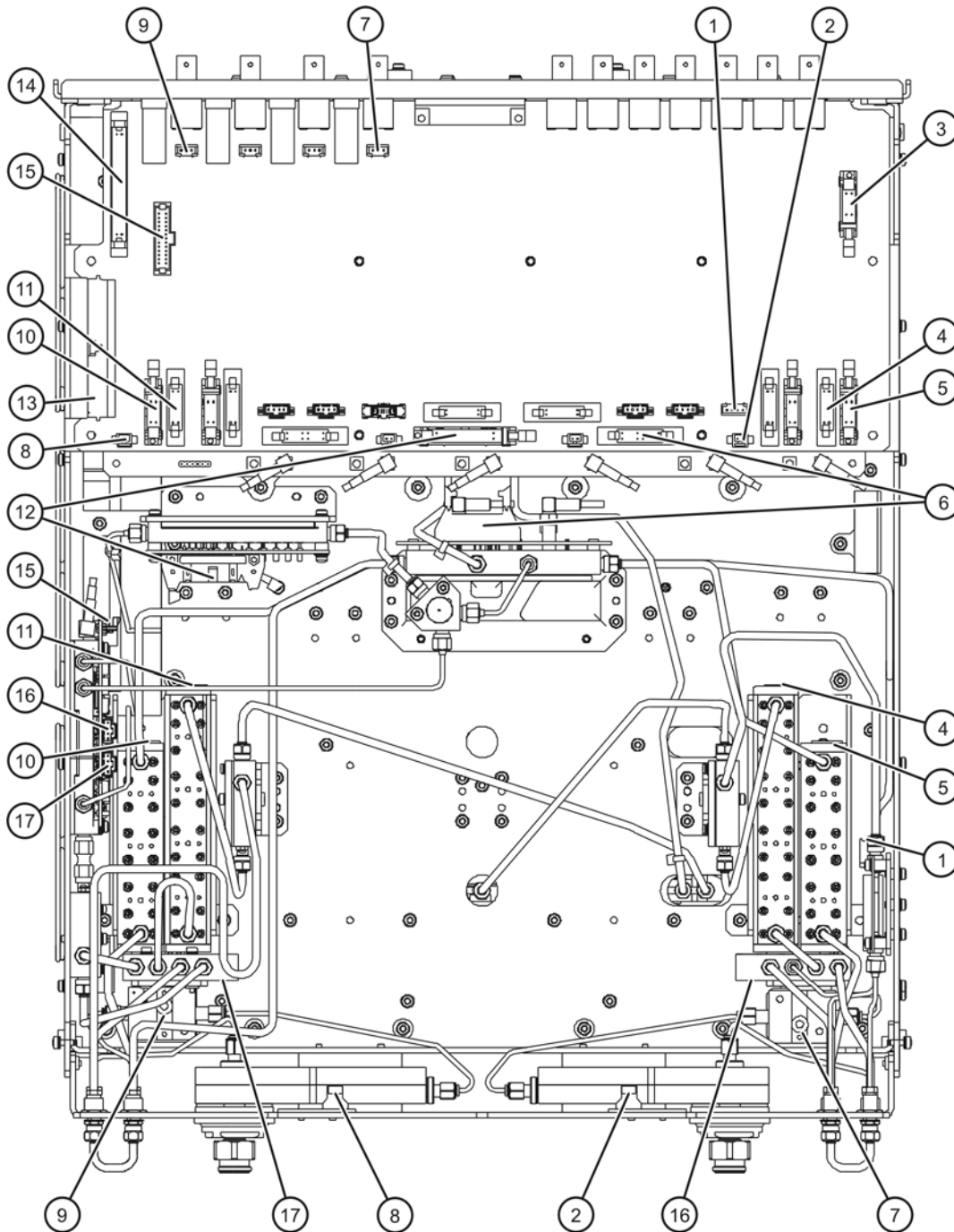
n5242_001_628

Bottom Ribbon Cables and Wire Harnesses, 2-Port, Options 200/219/029

Reference Designator	Type ^a	Part Number	Description
①	4W	N5242-60002	A19 test set motherboard J3 to A33 reference mixer switch
②	3W	N5242-60009	A19 test set motherboard J221 to port 1 LED board J1
③	10R	N5242-60005	Rear-panel PWR I/O to A19 test set motherboard J301
④	14R	N5242-60008	A19 test set motherboard J201 to A34 port 1 source attenuator
⑤	10R	N5242-60007	A19 test set motherboard J205 to A42 port 1 receiver attenuator
⑥	16R	N5242-60006	A19 test set motherboard J212 to A23 mixer brick (1)
⑦	2W	--	A19 test set motherboard J541 to A38 port 1 bias tee
⑧	3W	N5242-60009	A19 test set motherboard J222 to port 2 LED board J1
⑨	2W	--	A19 test set motherboard J544 to A41 port 2 bias tee
⑩	10R	N5242-60007	A19 test set motherboard J208 to A45 port 2 receiver attenuator
⑪	14R	N5242-60008	A19 test set motherboard J204 to A37 port 2 source attenuator
⑫	24R	N5242-60011	A19 test set motherboard J209 to A21 HMA26.5
⑬	100R	N5242-60004	A14 system motherboard J1 to A19 test set motherboard J1 to A20 IF multiplexer board J1
⑭	36R	8121-0834	Rear-panel HANDLER I/O to A19 test set motherboard J400
⑮	30R	N5242-60033	A19 test set motherboard J548 to A55 noise downconverter J1
⑯	P/O A52 port 1 noise bypass switch. Refer to "Bottom Assemblies, 2-Port, Options 200/219" on page 6-25.		
⑰	P/O A53 port 2 noise bypass switch. Refer to "Bottom Assemblies, 2-Port, Options 200/219" on page 6-25.		

a. nR = n wires in a ribbon (flat) cable; nW = n wires in a wire harness

Figure 6-14 Bottom Ribbon Cables and Wire Harnesses, 2-Port, Options 200/219/029



(Some parts removed for clarity.)

n5242_001_609

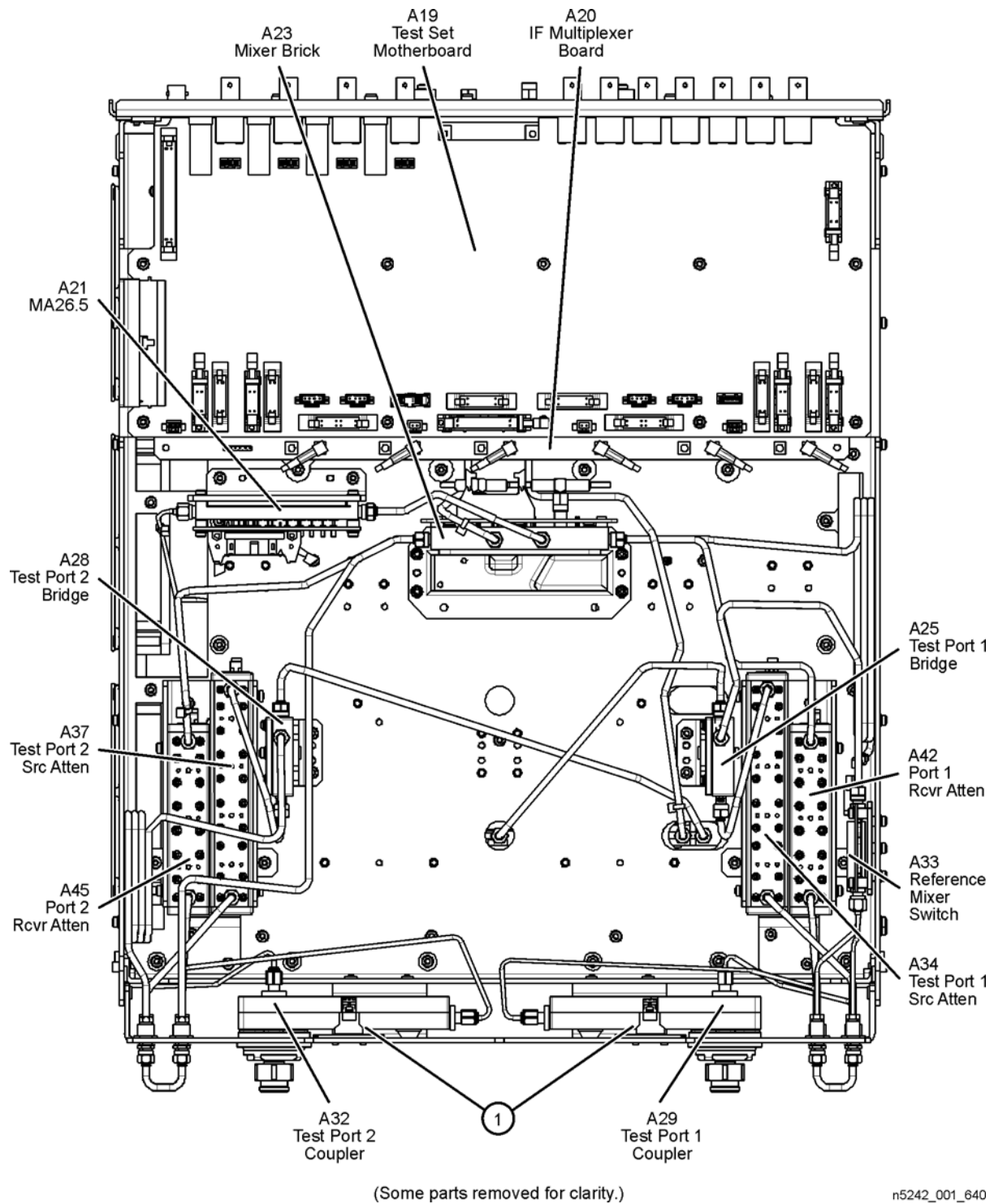
2-Port Configuration, Options 200/219/H85

Bottom Assemblies, 2-Port, Options 200/219/H85

Reference Designator	Part Number ^a	Qty	Description
A19	N5245-60003 Was N5240-60043	1	Test set motherboard
A20	N5240-60062 Was N5240-60045	1	IF multiplexer board
A21	5087-7711	1	LO Multiplier/amplifier 26.5 (HMA26.5)
A23	5087-7722 Was 5087-7308	1	Mixer brick
A25 A28	5087-7315	2	Test port 1 bridge Test port 2 bridge
A29 A32	5087-7710	2	Test port 1 coupler Test port 2 coupler
A33	N5240-60048	1	Reference mixer switch
A34 A37	33321-60070	2	Test port 1 source attenuator Test port 2 source attenuator
A42 A45	33321-60066	2	Port 1 receiver attenuator Port 2 receiver attenuator
①	N5240-60058 Was N5240-60051	2	Front panel LED board

a. Part numbers in *italic* typeface are for rebuilt exchange assemblies. Refer to “[Rebuilt-Exchange Assemblies](#)” on page 6-5.

Figure 6-15 Bottom Assemblies, 2-Port, Options 200/219/H85

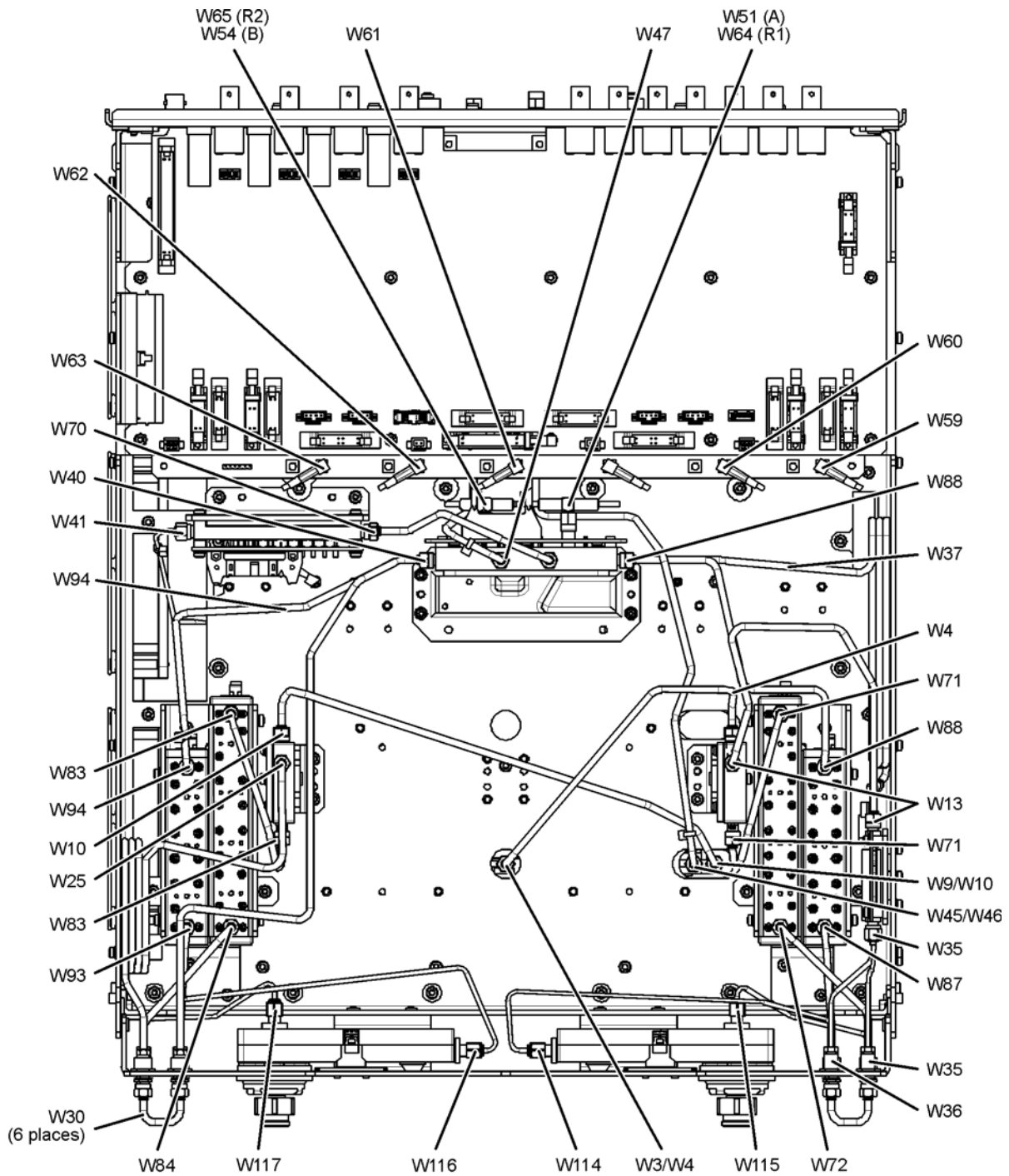


Bottom RF Cables, 2-Port, Options 200/219/H85

Reference Designator	Type ^a	Part Number	Qty	Description
W3	SR	N5242-20091	1	A5 source (1) to W4
W4	SR	N5242-20050	1	W3 to A25 port 1 bridge
W9	SR	N5242-20092	1	A5 source (1) to W10
W10	SR	N5242-20053	1	W9 to A28 port 2 bridge
W13	SR	N5242-20011	1	A25 port 1 bridge to A33 reference mixer switch
W25	SR	N5242-20048	1	A28 port 2 bridge to front-panel REF 2 SOURCE OUT
W30	SR	E8356-20072	6	Front panel jumper
W35	SR	N5242-20043	1	A33 reference mixer switch to front-panel REF 1 SOURCE OUT
W36	SR	N5242-20042	1	Front-panel REF 1 RCVR R1 IN to A33 reference mixer switch
W37	SR	N5242-20009	1	A33 reference mixer switch to A23 mixer brick (R1)
W40	SR	N5242-20049	1	Front-panel REF 2 RCVR R2 IN to A23 mixer brick (R2)
W41	SR	N5242-20110	1	A11 13.5 GHz synthesizer to A21 HMA26.5
W45	SR	N5242-20093	1	A5 source (1) to W46
W46	SR	N5242-20090	1	W46 to rear-panel EXT TSET DRIVE RF OUT (J6)
W47	SR	N5242-20089	1	A23 mixer brick to rear-panel EXT TSET DRIVE LO OUT (J5)
W51	F	N5242-60017	1	A23 mixer brick (A) to A20 IF multiplexer (P1)
W54	F	N5242-60018	1	A23 mixer brick (B) to A20 IF multiplexer (P201)
W59	F	N5242-60012	1	A20 IF multiplexer (P3) to A12 SPAM (J1)
W60	F	N5242-60013	1	A20 IF multiplexer (P203) to A12 SPAM (J2)
W61	F	N5242-60014	1	A20 IF multiplexer (P403) to A12 SPAM (J4)
W62	F	N5242-60015	1	A20 IF multiplexer (P603) to A12 SPAM (J5)
W63	F	N5242-60016	1	A20 IF multiplexer (P803) to A12 SPAM (J6)
W64	F	N5242-60025	1	A23 mixer brick (R1) to A20 IF multiplexer (P601)
W65	F	N5242-60026	1	A23 mixer brick (R2) to A20 IF multiplexer (P801)
W70	SR	N5242-20123	1	A21 HMA26.5 to A23 mixer brick
W71	SR	N5242-20005	1	A25 port 1 bridge to A34 port 1 source attenuator
W72	SR	N5242-20038	1	A34 port 1 source attenuator to front-panel Port 1 SOURCE OUT
W83	SR	N5242-20002	1	A28 port 2 bridge to A37 port 2 source attenuator
W84	SR	N5242-20046	1	A37 port 2 source attenuator to front-panel Port 2 SOURCE OUT
W87	SR	N5242-20041	1	Front-panel Port 1 RCVR A IN to A42 port 1 receiver attenuator
W88	SR	N5242-20010	1	A42 port 1 receiver attenuator to A23 mixer brick (A)
W93	SR	N5242-20047	1	Front-panel Port 2 RCVR B IN to A45 port 2 receiver attenuator
W94	SR	N5242-20016	1	A45 port 2 receiver attenuator to A23 mixer brick (B)
W114	SR	N5242-20111	1	A29 port 1 coupler to front-panel Port 1 CPLR THRU
W115	SR	N5242-20113	1	A29 port 1 coupler to front-panel Port 1 CPLR ARM
W116	SR	N5242-20112	1	A32 port 2 coupler to front-panel Port 2 CPLR THRU
W117	SR	N5242-20114	1	A32 port 2 coupler to front-panel Port 2 CPLR ARM

a. SR = semirigid coaxial cable; F = flexible coaxial cable

Figure 6-16 Bottom RF Cables, 2-Port, Options 200/219/H85



(Some parts removed for clarity.)

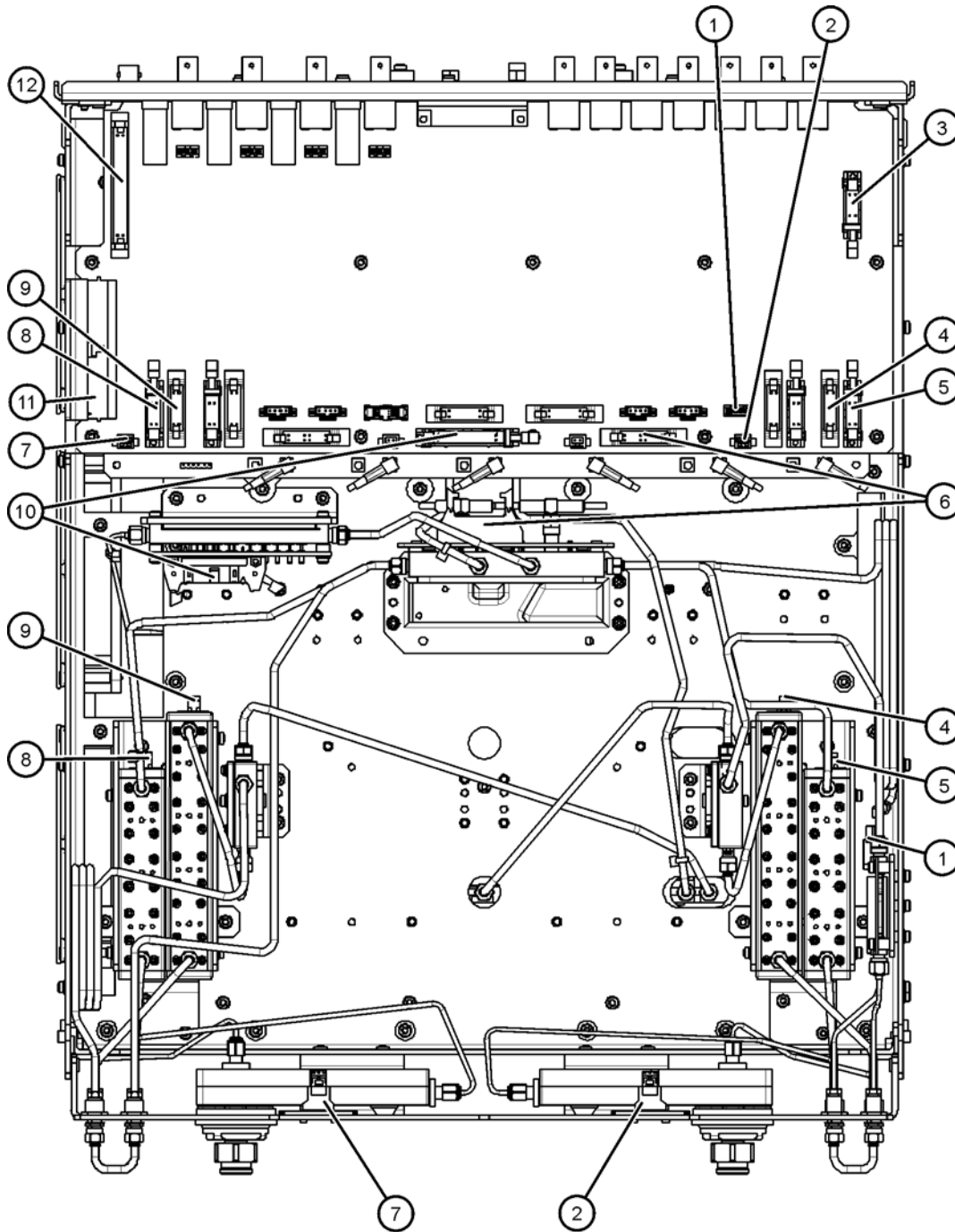
n5242_001_641

Bottom Ribbon Cables and Wire Harnesses, 2-Port, Options 200/219/H85

Reference Designator	Type ^a	Part Number	Description
①	4W	N5242-60002	A19 test set motherboard J3 to A33 reference mixer switch
②	3W	N5242-60009	A19 test set motherboard J221 to port 1 LED board J1
③	10R	N5242-60005	Rear-panel PWR I/O to A19 test set motherboard J301
④	14R	N5242-60008	A19 test set motherboard J201 to A34 port 1 source attenuator
⑤	10R	N5242-60007	A19 test set motherboard J205 to A42 port 1 receiver attenuator
⑥	16R	N5242-60006	A19 test set motherboard J212 to A23 mixer brick (1)
⑦	3W	N5242-60009	A19 test set motherboard J222 to port 2 LED board J1
⑧	10R	N5242-60007	A19 test set motherboard J208 to A45 port 2 receiver attenuator
⑨	14R	N5242-60008	A19 test set motherboard J204 to A37 port 2 source attenuator
⑩	24R	N5242-60011	A19 test set motherboard J209 to A21 HMA26.5
⑪	100R	N5242-60004	A14 system motherboard J1 to A19 test set motherboard J1 to A20 IF multiplexer board J1
⑫	36R	8121-0834	Rear-panel HANDLER I/O to A19 test set motherboard J400

a. nR = n wires in a ribbon (flat) cable; nW = n wires in a wire harness

Figure 6-17 Bottom Ribbon Cables and Wire Harnesses, 2-Port, Options 200/219/H85



(Some parts removed for clarity.)

n5242_001_642

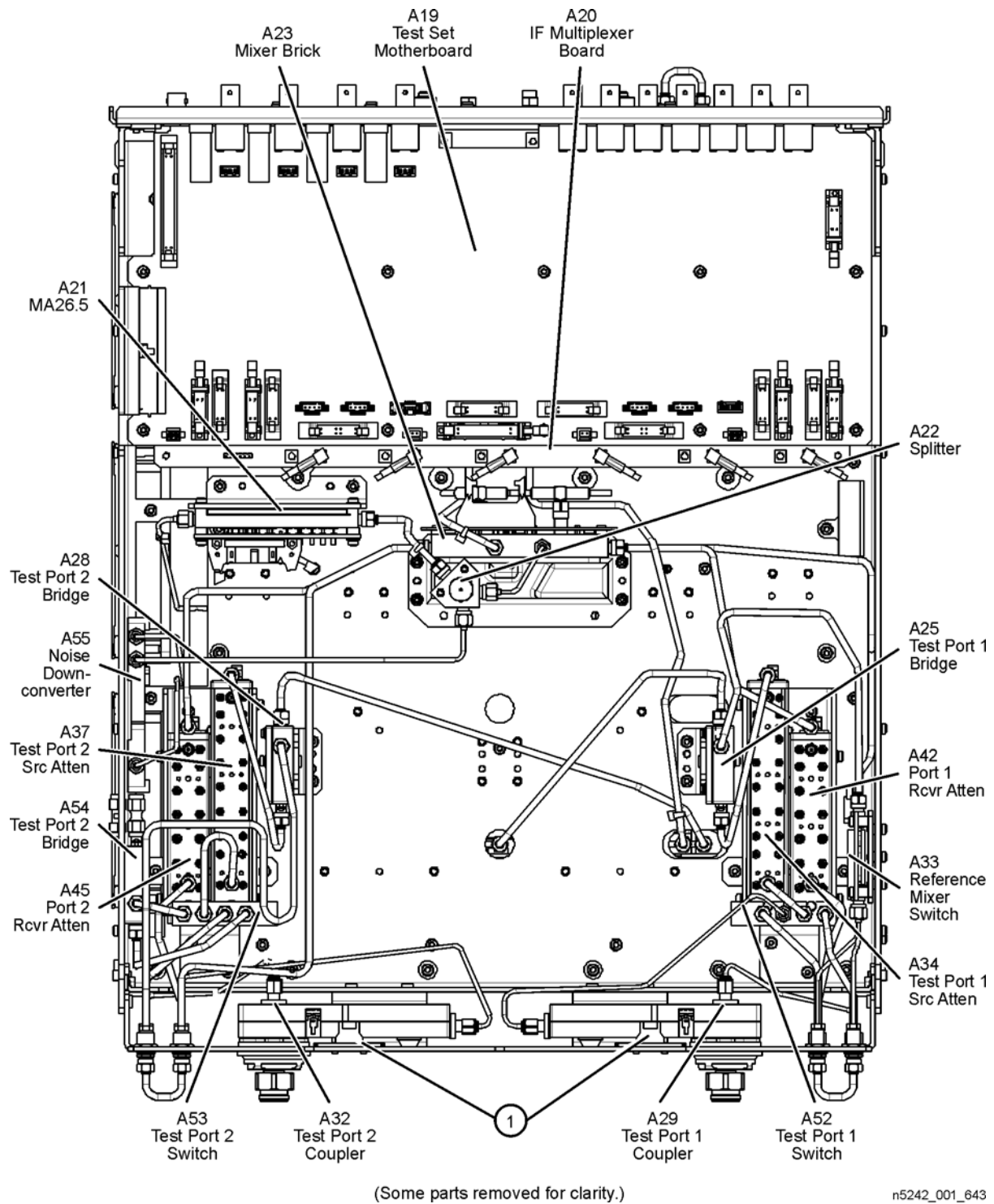
2-Port Configuration, Options 200/219/029/H85

Bottom Assemblies, 2-Port, Options 200/219/029/H85

Reference Designator	Part Number ^a	Qty	Description
A19	N5245-60003 <i>Was N5240-60043</i>	1	Test set motherboard
A20	N5240-60062 <i>Was N5240-60045</i>	1	IF multiplexer board
A21	5087-7711	1	LO Multiplier/amplifier 26.5 (HMA26.5)
A22	5087-7139 <i>5087-6139</i>	1	Splitter (Option 029 only)
A23	5087-7722 <i>Was 5087-7308</i>	1	Mixer brick
A25 A28	5087-7315	2	Test port 1 bridge Test port 2 bridge
A29 A32	5087-7710	2	Test port 1 coupler Test port 2 coupler
A33	N5240-60048	1	Reference mixer switch
A34 A37	33321-60070	2	Test port 1 source attenuator Test port 2 source attenuator
A42 A45	33321-60066	2	Port 1 receiver attenuator Port 2 receiver attenuator
A52	N1811-60030 <i>Was N1811-60008</i>	1	Test port 1 noise bypass switch (Option 029 only)
A53	N1811-60028 <i>Was N1811-60006</i>	1	Test port 2 noise bypass switch (Option 029 only)
A54	5087-7729 <i>Was 5087-7315</i>	1	Test port 2 bridge (Option 029 only)
A55	5087-7767 <i>Was 5087-7316</i>	1	Noise downconverter (Option 029 only)
①	N5240-60058 <i>Was N5240-60051</i>	2	Front panel LED board

a. Part numbers in *italic* typeface are for rebuilt exchange assemblies. Refer to [“Rebuilt-Exchange Assemblies”](#) on page 6-5.

Figure 6-18 Bottom Assemblies, 2-Port, Options 200/219/029/H85



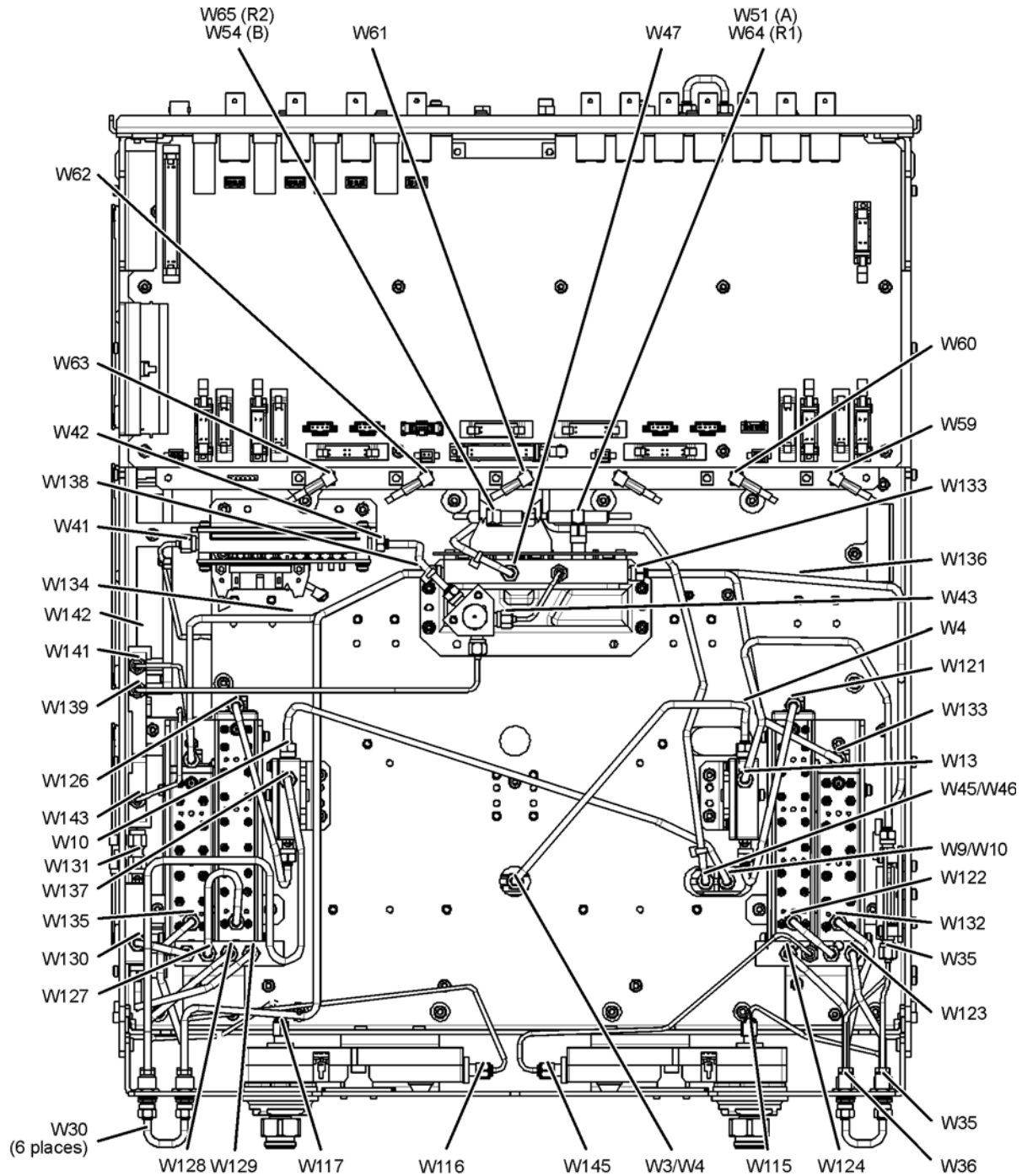
Bottom RF Cables, 2-Port, Options 200/219/029/H85

Reference Designator	Type ^a	Part Number	Qty	Description
W3	SR	N5242-20091	1	A5 source (1) to W4
W4	SR	N5242-20050	1	W3 to A25 port 1 bridge
W9	SR	N5242-20092	1	A5 source (1) to W10
W10	SR	N5242-20053	1	W9 to A28 port 2 bridge
W13	SR	N5242-20011	1	A25 port 1 bridge to A33 reference mixer switch
W30	SR	E8356-20072	6	Front panel jumper
W35	SR	N5242-20043	1	A33 reference mixer switch to front-panel REF 1 SOURCE OUT
W36	SR	N5242-20042	1	Front-panel REF 1 RCVR R1 IN to A33 reference mixer switch
W41	SR	N5242-20110	1	A11 13.5 GHz synthesizer to A21 HMA26.5
W42	SR	N5242-20015	1	A21 HMA26.5 to A22 splitter
W43	SR	N5242-20013	1	A22 splitter to A23 mixer brick
W45	SR	N5242-20093	1	A5 source (1) to W46
W46	SR	N5242-20090	1	W46 to rear-panel EXT TSET DRIVE RF OUT (J6)
W47	SR	N5242-20089	1	A23 mixer brick to rear-panel EXT TSET DRIVE LO OUT (J5)
W51	F	N5242-60017	1	A23 mixer brick (A) to A20 IF multiplexer (P1)
W54	F	N5242-60018	1	A23 mixer brick (B) to A20 IF multiplexer (P201)
W59	F	N5242-60012	1	A20 IF multiplexer (P3) to A12 SPAM (J1)
W60	F	N5242-60013	1	A20 IF multiplexer (P203) to A12 SPAM (J2)
W61	F	N5242-60014	1	A20 IF multiplexer (P403) to A12 SPAM (J4)
W62	F	N5242-60015	1	A20 IF multiplexer (P603) to A12 SPAM (J5)
W63	F	N5242-60016	1	A20 IF multiplexer (P803) to A12 SPAM (J6)
W64	F	N5242-60025	1	A23 mixer brick (R1) to A20 IF multiplexer (P601)
W65	F	N5242-60026	1	A23 mixer brick (R2) to A20 IF multiplexer (P801)
W115	SR	N5242-20113	1	A29 port 1 coupler to front-panel Port 1 CPLR ARM
W116	SR	N5242-20112	1	Front-panel Port 2 CPLR THRU to A32 port 2 coupler
W117	SR	N5242-20114	1	A32 port 2 coupler to front-panel Port 2 CPLR ARM
W121	SR	N5242-20067	1	A25 port 1 bridge to A34 port 1 source attenuator
W122	SR	N5242-20147 Was N5242-20128	1	A34 port 1 source attenuator to A52 port 1 noise bypass switch
W123	SR	N5242-20127	1	A52 port 1 noise bypass switch to frnt pnl Port 1 SOURCE OUT
W124	SR	N5242-20125	1	Front-panel Port 1 CPLR THRU to A52 port 1 bypass switch
W126	SR	N5242-20066	1	A28 port 2 bridge to A37 port 2 source attenuator
W127	SR	N5242-20116	1	A37 port 2 source attenuator to A53 port 2 noise bypass switch
W128	SR	N5242-20134	1	A53 port 2 noise bypass switch to frnt pnl Port 2 SOURCE OUT
W129	SR	N5242-20117	1	A53 port 2 noise bypass switch to A54 port 2 bridge
W130	SR	N5242-20148	1	A53 port 2 noise bypass switch to A54 port 2 bridge
W131	SR	1250-3576	1	Adapter, coax, straight, m-m, 50 ohm
W132	SR	N5242-20072	1	Front-panel Port 1 RCVR A IN to A42 port 1 receiver attenuator
W133	SR	N5242-20069	1	A42 port 1 receiver attenuator to A23 mixer brick (A)
W134	SR	N5242-20070	1	A45 port 2 receiver attenuator to A23 mixer brick (B)
W135	SR	N5242-20073	1	Front-panel Port 2 RCVR B IN to A45 port 2 receiver attenuator
W136	SR	N5242-20068	1	A33 reference mixer switch to A23 mixer brick (R1)
W137	SR	N5242-20074	1	A28 port 2 bridge to front-panel REF 2 SOURCE OUT
W138	SR	N5242-20075	1	Front-panel REF 2 RCVR R2 IN to A23 mixer brick (R2)
W139	SR	N5242-20131	1	A22 splitter to A55 noise downconverter
W141	SR	N5242-20129	1	A55 noise downconverter to A7 noise receiver board LO
W142	F	N5242-60041	1	A55 noise downconverter J4 to A7 noise receiver board J9

Reference Designator	Type ^a	Part Number	Qty	Description
W143	SR	N5242-20130	1	A55 noise downconverter to A7 noise receiver board RF
W145	SR	N5242-20145	1	A52 port 1 noise bypass switch to A29 port 1 coupler

a. SR = semirigid coaxial cable; F = flexible coaxial cable

Figure 6-19 Bottom RF Cables, 2-Port, Options 200/219/029/H85



(Some parts removed for clarity.)

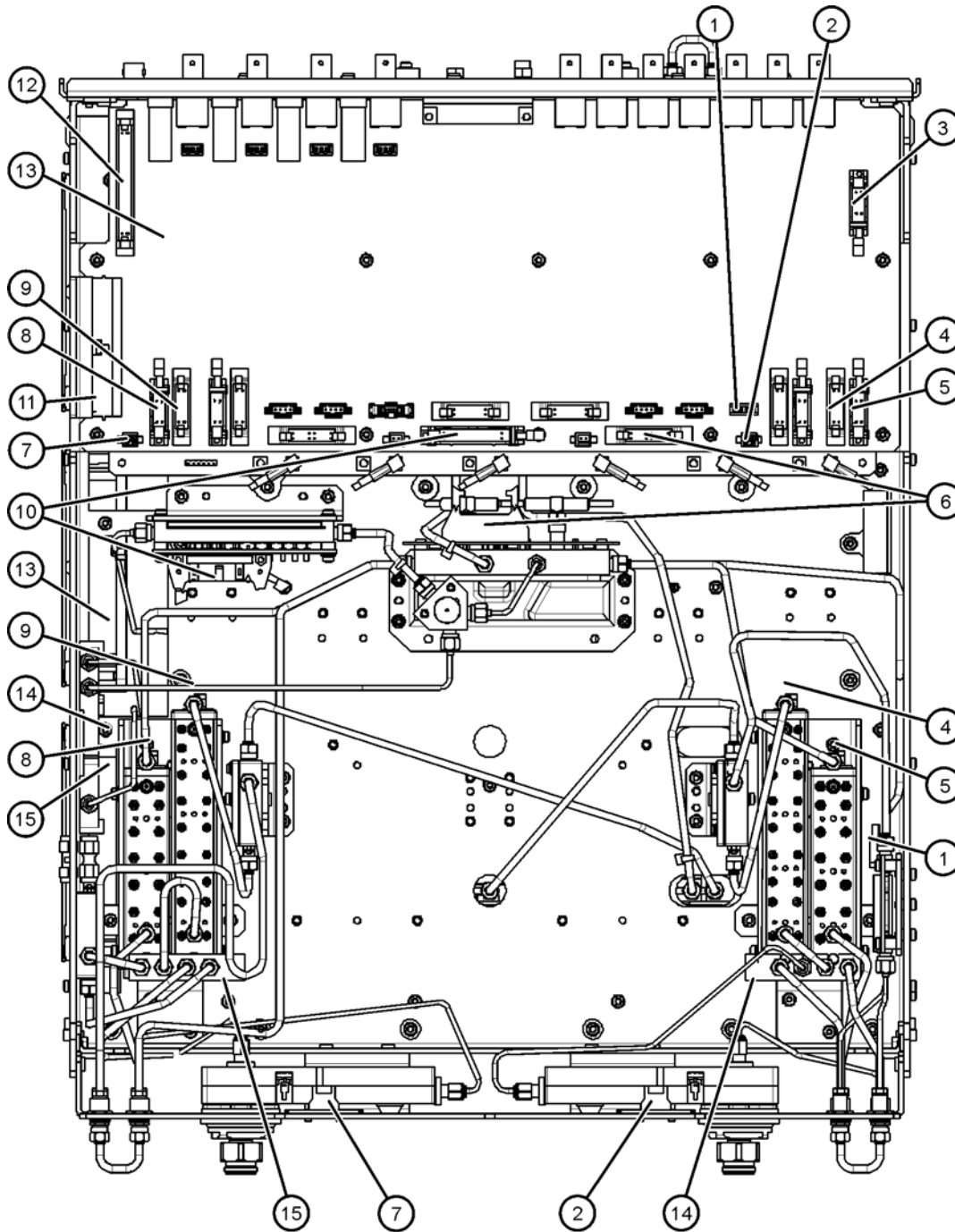
n5242_001_644

Bottom Ribbon Cables and Wire Harnesses, 2-Port, Options 200/219/029/H85

Reference Designator	Type ^a	Part Number	Description
①	4W	N5242-60002	A19 test set motherboard J3 to A33 reference mixer switch
②	3W	N5242-60009	A19 test set motherboard J221 to port 1 LED board J1
③	10R	N5242-60005	Rear-panel PWR I/O to A19 test set motherboard J301
④	14R	N5242-60008	A19 test set motherboard J201 to A34 port 1 source attenuator
⑤	10R	N5242-60007	A19 test set motherboard J205 to A42 port 1 receiver attenuator
⑥	16R	N5242-60006	A19 test set motherboard J212 to A23 mixer brick (1)
⑦	3W	N5242-60009	A19 test set motherboard J222 to port 2 LED board J1
⑧	10R	N5242-60007	A19 test set motherboard J208 to A45 port 2 receiver attenuator
⑨	14R	N5242-60008	A19 test set motherboard J204 to A37 port 2 source attenuator
⑩	24R	N5242-60011	A19 test set motherboard J209 to A21 HMA26.5
⑪	100R	N5242-60004	A14 system motherboard J1 to A19 test set motherboard J1 to A20 IF multiplexer board J1
⑫	36R	8121-0834	Rear-panel HANDLER I/O to A19 test set motherboard J400
⑬	30R	N5242-60033	A19 test set motherboard J548 to A55 noise downconverter J1
⑭	P/O A52 port 1 noise bypass switch. Refer to “Bottom Assemblies, 2-Port, Options 200/219” on page 6-25.		
⑮	P/O A53 port 2 noise bypass switch. Refer to “Bottom Assemblies, 2-Port, Options 200/219” on page 6-25.		

a. nR = n wires in a ribbon (flat) cable; nW = n wires in a wire harness

Figure 6-20 Bottom Ribbon Cables and Wire Harnesses, 2-Port, Options 200/219/ 029/H85



(Some parts removed for clarity.)

n5242_001_645

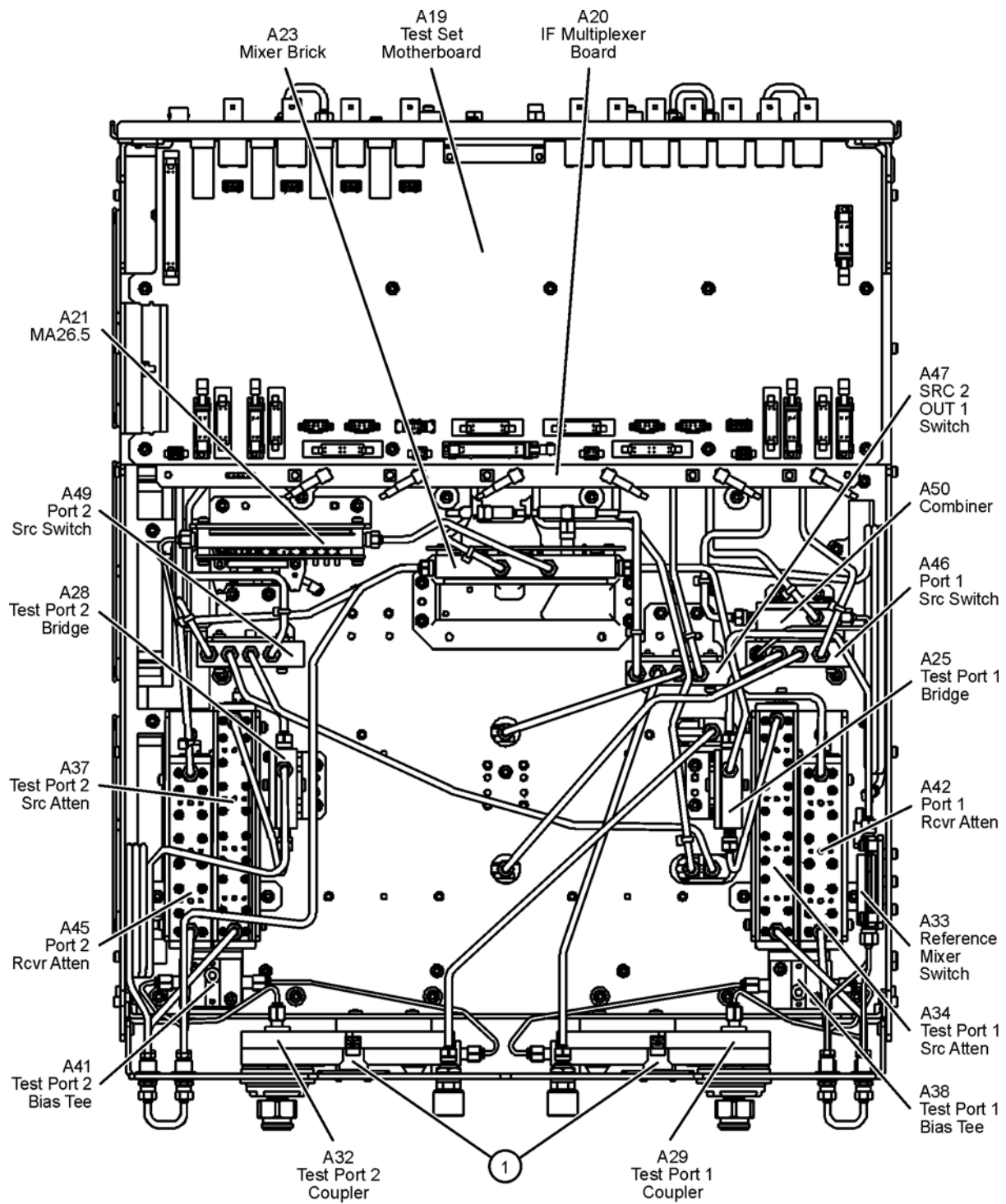
2-Port Configuration, Options 200/219/224

Bottom Assemblies, 2-Port, Options 200/219/224

Reference Designator	Part Number ^a	Qty	Description
A19	N5245-60003	1	Test set motherboard
A20	N5240-60062 Was N5240-60045	1	IF multiplexer board
A21	5087-7711	1	LO Multiplier/amplifier 26.5 (HMA26.5)
A23	5087-7722 Was 5087-7308	1	Mixer brick
A25 A28	5087-7315	2	Test port 1 bridge Test port 2 bridge
A29 A32	5087-7710	2	Test port 1 coupler Test port 2 coupler
A33	N5240-60048	1	Reference mixer switch
A34 A37	33321-60070	2	Test port 1 source attenuator Test port 2 source attenuator
A38 A41	5087-7781 Was 5087-7239	2	Test port 1 bias tee (includes wire harness) Test port 2 bias tee (includes wire harness)
A42 A45	33321-60066	2	Port 1 receiver attenuator Port 2 receiver attenuator
A46 A47 A49	N1811-60028 Was N1811-60006	3	Port 1 mechanical switch SRC 2 OUT 1 mechanical switch Port 2 mechanical switch
A50	5087-7315	1	Combiner
①	N5240-60058 Was N5240-60051	2	Front panel LED board

a. Part numbers in *italic* typeface are for rebuilt exchange assemblies. Refer to [“Rebuilt-Exchange Assemblies”](#) on page 6-5.

Figure 6-21 Bottom Assemblies, 2-Port, Options 200/219/224



(Some parts removed for clarity.)

n5242_001_646

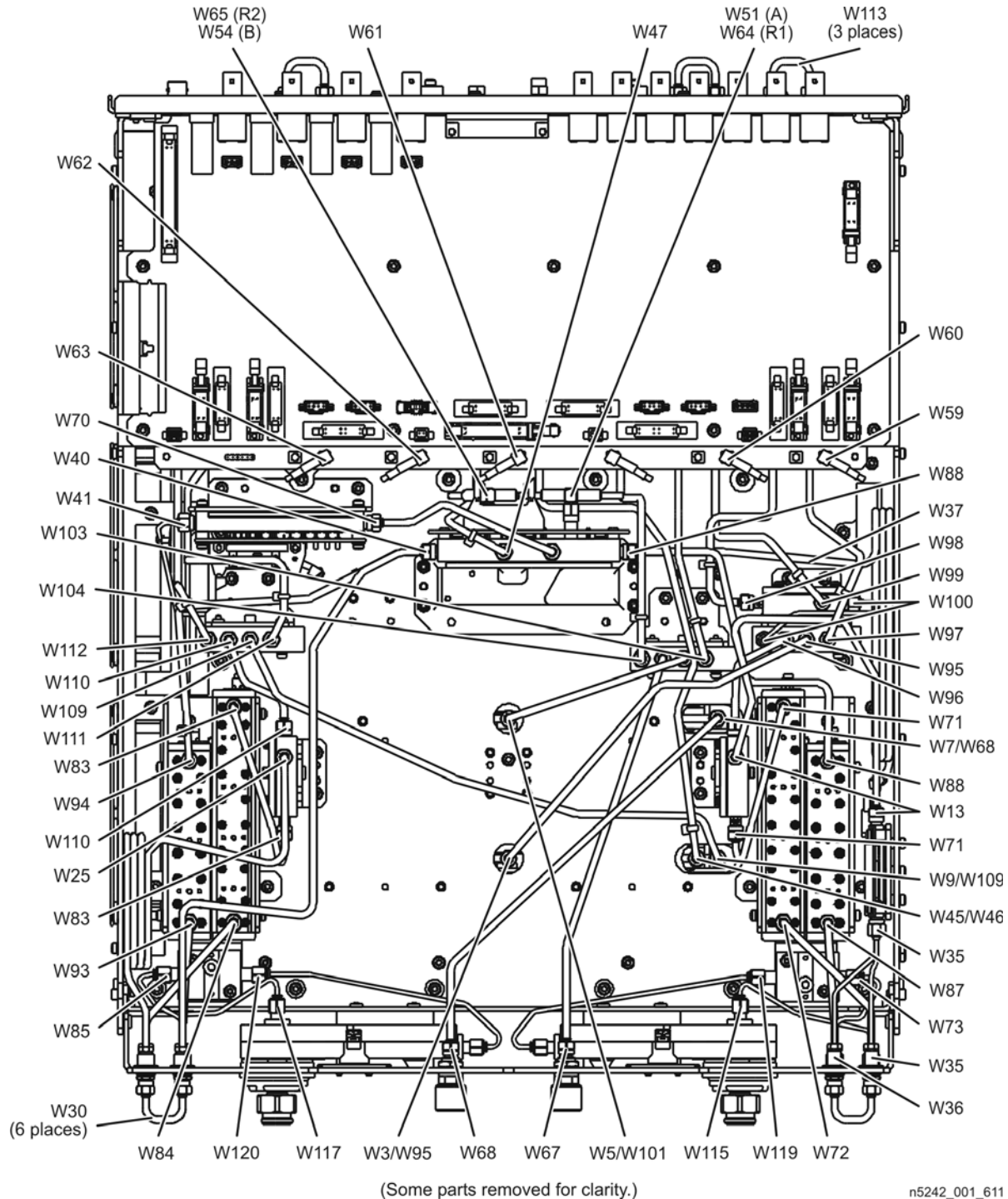
Bottom RF Cables, 2-Port, Options 200/219/224

Reference Designator	Type ^a	Part Number	Qty	Description
W3	SR	N5242-20091	1	A5 source (1) to W95
W5	SR	N5242-20091	1	A8 source (2) to W101
W7	SR	N5242-20092	1	A8 source (2) to W115
W9	SR	N5242-20092	1	A5 source (1) to W109
W13	SR	N5242-20011	1	A25 port 1 bridge to A33 reference mixer switch
W25	SR	N5242-20048	1	A28 port 2 bridge to front-panel REF 2 SOURCE OUT
W30	SR	E8356-20072	6	Front panel jumper
W35	SR	N5242-20043	1	A33 reference mixer switch to front-panel REF 1 SOURCE OUT
W36	SR	N5242-20042	1	REF 1 RCVR R1 IN to A33 reference mixer switch
W37	SR	N5242-20009	1	A33 reference mixer switch to A23 mixer brick (R1)
W40	SR	N5242-20049	1	REF 2 RCVR R2 IN to A23 mixer brick (R2)
W41	SR	N5242-20110	1	A11 13.5 GHz synthesizer to A21 HMA26.5
W45	SR	N5242-20093	1	A5 source (1) to W46
W46	SR	N5242-20090	1	W46 to rear-panel EXT TSET DRIVE RF OUT (J6)
W47	SR	N5242-20089	1	A23 mixer brick to EXT TSET DRIVE LO OUT (J5)
W51	F	N5242-60017	1	A23 mixer brick (A) to A20 IF multiplexer (P1)
W54	F	N5242-60018	1	A23 mixer brick (B) to A20 IF multiplexer (P201)
W59	F	N5242-60012	1	A20 IF multiplexer (P3) to A12 SPAM (J1)
W60	F	N5242-60013	1	A20 IF multiplexer (P203) to A12 SPAM (J2)
W61	F	N5242-60014	1	A20 IF multiplexer (P403) to A12 SPAM (J4)
W62	F	N5242-60015	1	A20 IF multiplexer (P603) to A12 SPAM (J5)
W63	F	N5242-60016	1	A20 IF multiplexer (P803) to A12 SPAM (J6)
W64	F	N5242-60025	1	A23 mixer brick (R1) to A20 IF multiplexer (P601)
W65	F	N5242-60026	1	A23 mixer brick (R2) to A20 IF multiplexer (P801)
W67	SR	N5242-20106	1	A47 SRC 2 OUT 1 switch to front-panel SRC 2 OUT 1
W68	SR	N5242-20107	1	W7 to SRC 2 OUT 2
W70	SR	N5242-20123	1	A21 HMA26.5 to A23 mixer brick
W71	SR	N5242-20005	1	A25 port 1 bridge to A34 port 1 source attenuator
W72	SR	N5242-20038	1	A34 port 1 source attenuator to front-panel Port 1 SOURCE OUT
W73	SR	N5242-20039	1	Port 1 CPLR THRU to A38 port 1 bias tee
W83	SR	N5242-20002	1	A28 port 2 bridge to A37 port 2 source attenuator
W84	SR	N5242-20046	1	A37 port 2 source attenuator to front-panel Port 2 SOURCE OUT
W85	SR	N5242-20045	1	Port 2 CPLR THRU to A41 port 2 bias tee
W87	SR	N5242-20041	1	Port 1 RCVR A IN to A42 port 1 receiver attenuator
W88	SR	N5242-20010	1	A42 port 1 receiver attenuator to A23 mixer brick (A)
W93	SR	N5242-20047	1	Port 2 RCVR B IN to A45 port 2 receiver attenuator
W94	SR	N5242-20016	1	A45 port 2 receiver attenuator to A23 mixer brick (B)
W95	SR	N5242-20020	1	W3 to A46 port 1 mechanical switch
W96	SR	N5242-20007	1	A46 port 1 mechanical switch to A25 port 1 bridge
W97	SR	N5242-20086	1	A46 port 1 mechanical switch to PORT 1 SW SRC OUT (J11)
W98	SR	N5242-20087	1	Rear-panel PORT 1 COMB THRU IN (J10) to A50 combiner
W99	SR	N5242-20088	1	Rear-panel PORT 1 COMB ARM IN (J9) to A50 combiner
W100	SR	N5242-20008	1	A50 combiner to A46 port 1 mechanical switch
W101	SR	N5242-20017	1	W5 to A47 SRC 2 mechanical switch
W103	SR	N5242-20081	1	A47 SRC 2 mechanical switch to SRC 2 SW SRC OUT (J8)
W104	SR	N5242-20080	1	Rear-panel PORT 3 SW TSET IN (J7) to A47 SRC 2 mechanical switch
W109	SR	N5242-20019	1	W9 to A49 port 2 mechanical switch
W110	SR	N5242-20004	1	A4 port 2 mechanical switch to A28 port 2 bridge
W111	SR	N5242-20084	1	A49 port 2 mechanical switch to PORT 2 SW SRC OUT (J2)
W112	SR	N5242-20085	1	Rear-panel PORT 2 SW TSET IN (J1) to A49 port 2 mechanical switch
W113	SR	E8356-20072	3	Rear panel jumper
W115	SR	N5242-20113	1	A29 port 1 coupler to front-panel Port 1 CPLR ARM
W117	SR	N5242-20114	1	A32 port 2 coupler to front-panel Port 2 CPLR ARM

Reference Designator	Type ^a	Part Number	Qty	Description
W119	SR	N5242-20115	1	A38 port 1 bias tee to A29 port 1 coupler
W120	SR	N5242-20108	1	A41 port 2 bias tee to A32 port 2 coupler

a. SR = semirigid coaxial cable; F = flexible coaxial cable

Figure 6-22 Bottom RF Cables, 2-Port, Options 200/219/224

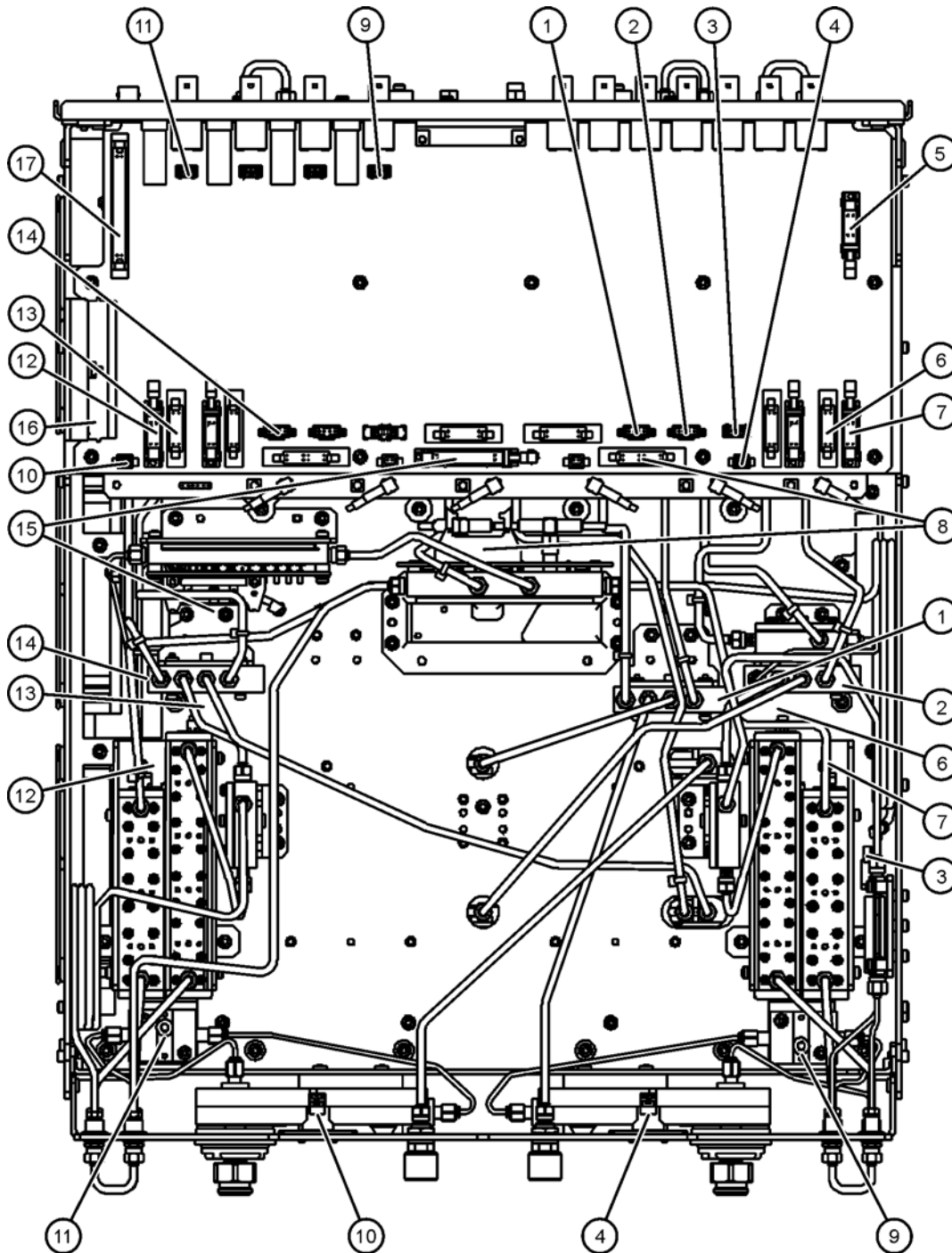


Bottom Ribbon Cables and Wire Harnesses, 2-Port, Options 200/219/224

Reference Designator	Type ^a	Part Number	Description
①	4W	N5242-60003	A19 test set motherboard J102 to A47 SRC 2 OUT 1 mechanical switch
②	4W	N5242-60003	A19 test set motherboard J101 to A46 port 1 mechanical switch
③	4W	N5242-60002	A19 test set motherboard J3 to A33 reference mixer switch
④	3W	N5242-60009	A19 test set motherboard J221 to port 1 LED board J1
⑤	10R	N5242-60005	Rear-panel PWR I/O to A19 test set motherboard J301
⑥	14R	N5242-60008	A19 test set motherboard J201 to A34 port 1 source attenuator
⑦	10R	N5242-60007	A19 test set motherboard J205 to A42 port 1 receiver attenuator
⑧	16R	N5242-60006	A19 test set motherboard J212 to A23 mixer brick (1)
⑨	2W	--	A19 test set motherboard J541 to A38 port 1 bias tee
⑩	3W	N5242-60009	A19 test set motherboard J222 to port 2 LED board J1
⑪	2W	--	A19 test set motherboard J544 to A41 port 2 bias tee
⑫	10R	N5242-60007	A19 test set motherboard J208 to A45 port 2 receiver attenuator
⑬	14R	N5242-60008	A19 test set motherboard J204 to A37 port 2 source attenuator
⑭	4W	N5242-60003	A19 test set motherboard J104 to A49 port 2 mechanical switch
⑮	24R	N5242-60011	A19 test set motherboard J209 to A21HMA26.5
⑯	100R	N5242-60004	A14 system motherboard J1 to A19 test set motherboard J1 to A20 IF multiplexer board J1
⑰	36R	8121-0834	Rear-panel HANDLER I/O to A19 test set motherboard J400

a. nR = n wires in a ribbon (flat) cable; nW = n wires in a wire harness

Figure 6-23 Bottom Ribbon Cables and Wire Harnesses, 2-Port, Options 200/219/224



(Some parts removed for clarity.)

N5242_001_647

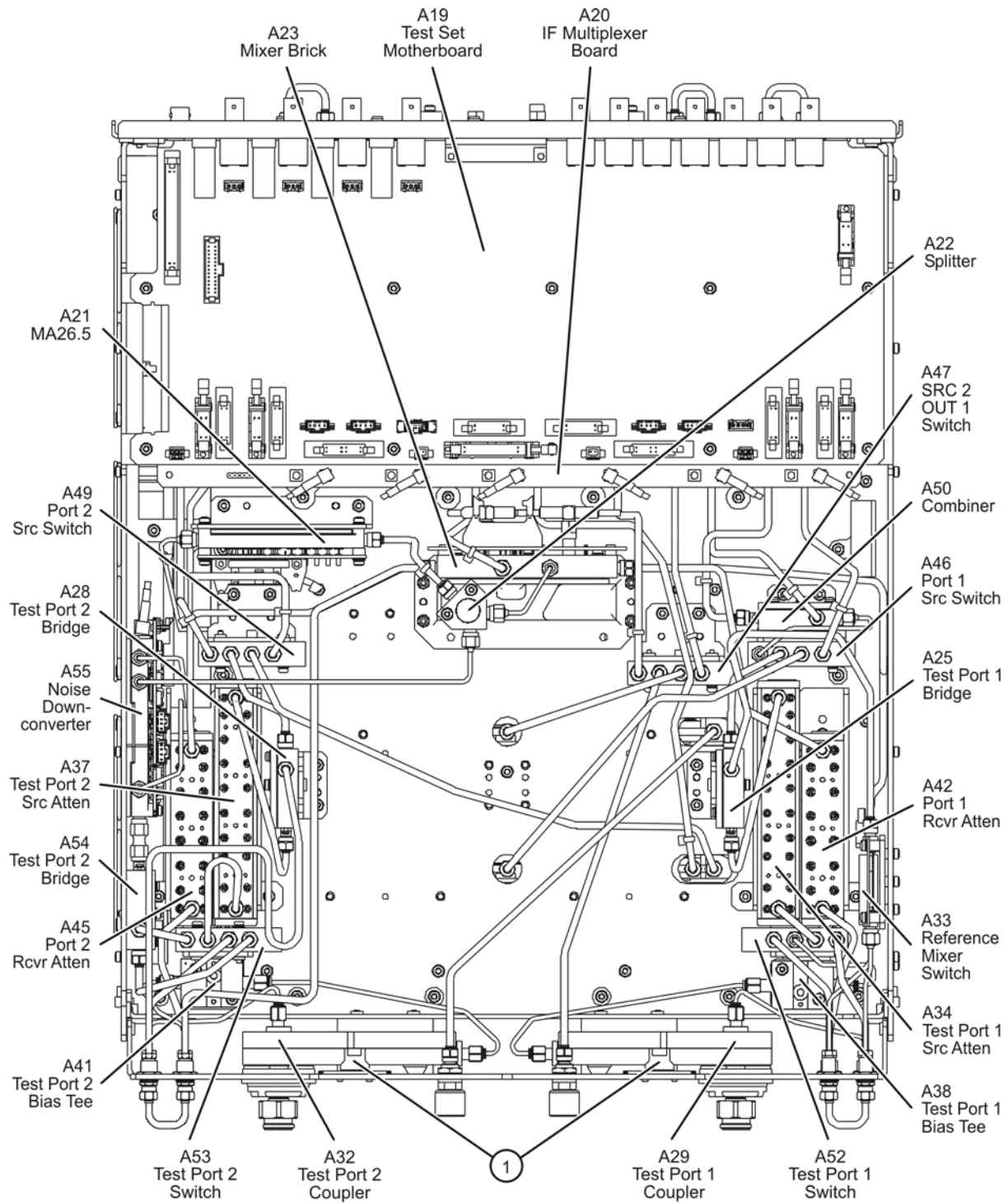
2-Port Configuration, Options 200/219/224/029

Bottom Assemblies, 2-Port, Options 200/219/224/029

Reference Designator	Part Number ^a	Qty	Description
A19	N5245-60003	1	Test set motherboard
A20	N5240-60062 <i>Was N5240-60045</i>	1	IF multiplexer board
A21	5087-7711	1	LO Multiplier/amplifier 26.5 (HMA26.5)
A22	5087-7139 <i>5087-6139</i>	1	Splitter (Option 029 only)
A23	5087-7722 <i>Was 5087-7308</i>	1	Mixer brick
A25 A28	5087-7315	2	Test port 1 bridge Test port 2 bridge
A29 A32	5087-7710	2	Test port 1 coupler Test port 2 coupler
A33	N5240-60048	1	Reference mixer switch
A34 A37	33321-60070	2	Test port 1 source attenuator Test port 2 source attenuator
A38 A41	5087-7781 <i>Was 5087-7239</i>	2	Test port 1 bias tee (includes wire harness) Test port 2 bias tee (includes wire harness)
A42 A45	33321-60066	2	Port 1 receiver attenuator Port 2 receiver attenuator
A46 A47 A49	N1811-60028 <i>Was N1811-60006</i>	3	Port 1 mechanical switch SRC 2 OUT 1 mechanical switch Port 2 mechanical switch
A50	5087-7315	1	Combiner
A52	N1811-60030 <i>Was N1811-60008</i>	1	Test port 1 noise bypass switch (Option 029 only)
A53	N1811-60028 <i>Was N1811-60006</i>	1	Test port 2 noise bypass switch (Option 029 only)
A54	5087-7729 <i>Was 5087-7315</i>	1	Test port 2 bridge (Option 029 only)
A55	5087-7767 <i>Was 5087-7316</i>	1	Noise downconverter (Option 029 only)
①	N5240-60058 <i>Was N5240-60051</i>	2	Front panel LED board

a. Part numbers in *italic* typeface are for rebuilt exchange assemblies. Refer to “Rebuilt-Exchange Assemblies” on page 6-5.

Figure 6-24 Bottom Assemblies, 2-Port, Options 200/219/224/029



(Some parts removed for clarity.)

n5242_001_629

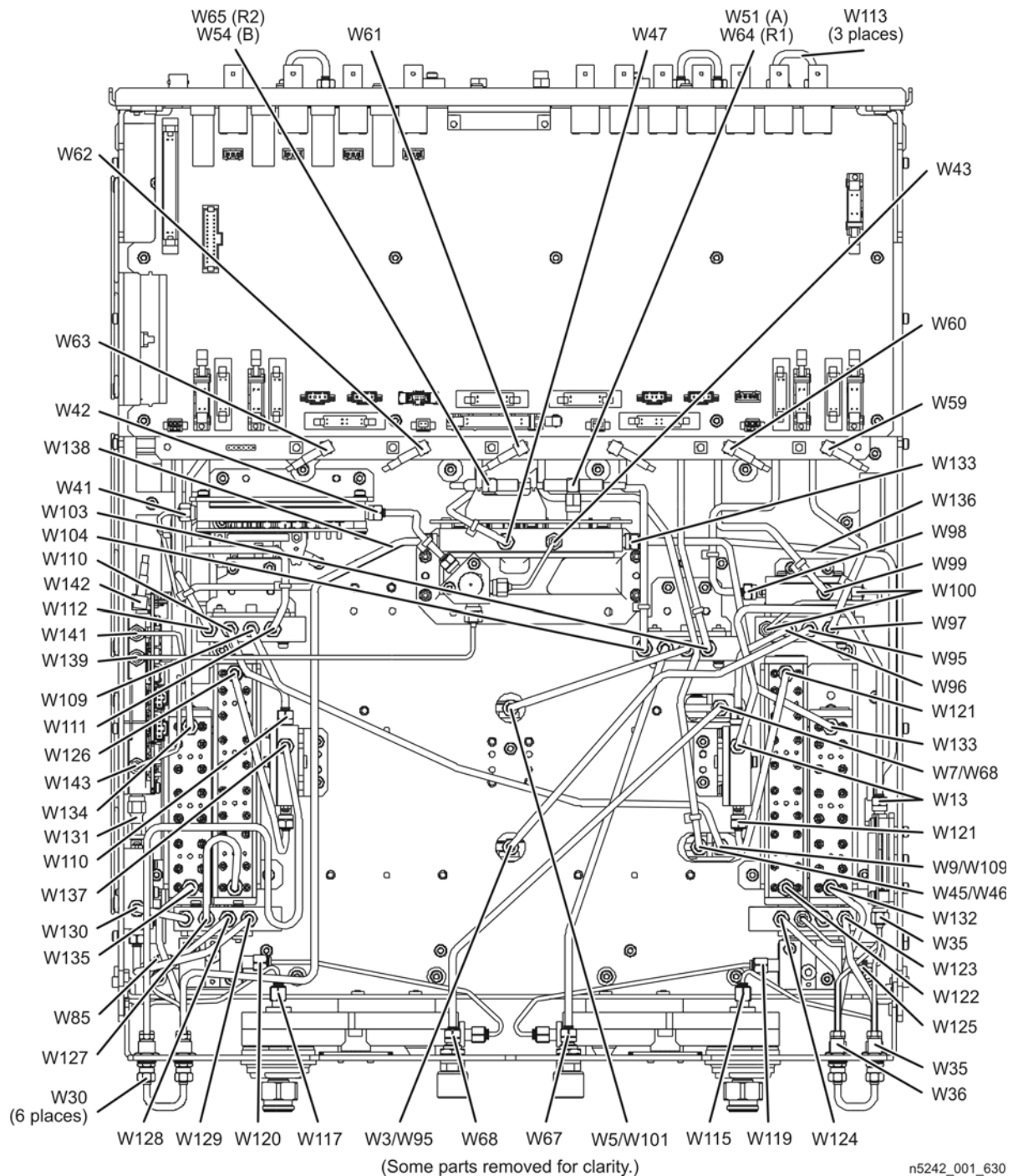
Bottom RF Cables, 2-Port, Options 200/219/224/029

Reference Designator	Type ^a	Part Number	Qty	Description
W3	SR	N5242-20091	1	A5 source (1) to W95
W5	SR	N5242-20091	1	A8 source (2) to W101
W7	SR	N5242-20092	1	A8 source (2) to W115
W9	SR	N5242-20092	1	A5 source (1) to W109
W13	SR	N5242-20011	1	A25 port 1 bridge to A33 reference mixer switch
W30	SR	E8356-20072	6	Front panel jumper
W35	SR	N5242-20043	1	A33 reference mixer switch to front-panel REF 1 SOURCE OUT
W36	SR	N5242-20042	1	REF 1 RCVR R1 IN to A33 reference mixer switch
W41	SR	N5242-20110	1	A11 13.5 GHz synthesizer to A21 HMA26.5
W42	SR	N5242-20015	1	A21 HMA26.5 to A22 splitter
W43	SR	N5242-20013	1	A22 splitter to A23 mixer brick
W45	SR	N5242-20093	1	A5 source (1) to W46
W46	SR	N5242-20090	1	W46 to rear-panel EXT TSET DRIVE RF OUT (J6)
W47	SR	N5242-20089	1	A23 mixer brick to EXT TSET DRIVE LO OUT (J5)
W51	F	N5242-60017	1	A23 mixer brick (A) to A20 IF multiplexer (P1)
W54	F	N5242-60018	1	A23 mixer brick (B) to A20 IF multiplexer (P201)
W59	F	N5242-60012	1	A20 IF multiplexer (P3) to A12 SPAM (J1)
W60	F	N5242-60013	1	A20 IF multiplexer (P203) to A12 SPAM (J2)
W61	F	N5242-60014	1	A20 IF multiplexer (P403) to A12 SPAM (J4)
W62	F	N5242-60015	1	A20 IF multiplexer (P603) to A12 SPAM (J5)
W63	F	N5242-60016	1	A20 IF multiplexer (P803) to A12 SPAM (J6)
W64	F	N5242-60025	1	A23 mixer brick (R1) to A20 IF multiplexer (P601)
W65	F	N5242-60026	1	A23 mixer brick (R2) to A20 IF multiplexer (P801)
W67	SR	N5242-20106	1	A47 SRC 2 OUT 1 switch to front-panel SRC 2 OUT 1
W68	SR	N5242-20107	1	W7 to SRC 2 OUT 2
W85	SR	N5242-20045	1	Port 2 CPLR THRU to A41 port 2 bias tee
W95	SR	N5242-20020	1	W3 to A46 port 1 mechanical switch
W96	SR	N5242-20007	1	A46 port 1 mechanical switch to A25 port 1 bridge
W97	SR	N5242-20086	1	A46 port 1 mechanical switch to PORT 1 SW SRC OUT (J11)
W98	SR	N5242-20087	1	Rear-panel PORT 1 COMB THRU IN (J10) to A50 combiner
W99	SR	N5242-20088	1	Rear-panel PORT 1 COMB ARM IN (J9) to A50 combiner
W100	SR	N5242-20008	1	A50 combiner to A46 port 1 mechanical switch
W101	SR	N5242-20017	1	W5 to A47 SRC 2 mechanical switch
W103	SR	N5242-20081	1	A47 SRC 2 mechanical switch to SRC 2 SW SRC OUT (J8)
W104	SR	N5242-20080	1	Rear-panel PORT 3 SW TSET IN (J7) to A47 SRC 2 mechanical switch
W109	SR	N5242-20019	1	W9 to A49 port 2 mechanical switch
W110	SR	N5242-20004	1	A4 port 2 mechanical switch to A28 port 2 bridge
W111	SR	N5242-20084	1	A49 port 2 mechanical switch to PORT 2 SW SRC OUT (J2)
W112	SR	N5242-20085	1	Rear-panel PORT 2 SW TSET IN (J1) to A49 port 2 mechanical switch
W113	SR	E8356-20072	3	Rear panel jumper
W115	SR	N5242-20113	1	A29 port 1 coupler to front-panel Port 1 CPLR ARM
W117	SR	N5242-20114	1	A32 port 2 coupler to front-panel Port 2 CPLR ARM
W119	SR	N5242-20115	1	A38 port 1 bias tee to A29 port 1 coupler
W120	SR	N5242-20108	1	A41 port 2 bias tee to A32 port 2 coupler
W121	SR	N5242-20067	1	A25 port 1 bridge to A34 port 1 source attenuator
W122	SR	N5242-20147 Was N5242-20128	1	A34 port 1 source attenuator to A52 port 1 noise bypass switch
W123	SR	N5242-20127	1	A52 port 1 noise bypass switch to front-panel Port 1 SOURCE OUT
W124	SR	N5242-20125	1	Front-panel Port 1 CPLR THRU to A52 port 1 noise bypass switch
W125	SR	N5242-20126	1	A52 port 1 noise bypass switch to A38 port 1 bias tee
W126	SR	N5242-20066	1	A28 port 2 bridge to A37 port 2 source attenuator
W127	SR	N5242-20116	1	A37 port 2 source attenuator to A53 port 2 noise bypass switch
W128	SR	N5242-20134	1	A53 port 2 noise bypass switch to front-panel Port 2 SOURCE OUT
W129	SR	N5242-20117	1	A53 port 2 noise bypass switch to A54 port 2 bridge
W130	SR	N5242-20148	1	A53 port 2 noise bypass switch to A54 port 2 bridge
W131	SR	1250-3576	1	Adapter, coax, straight, m-m, 50 ohm
W132	SR	N5242-20072	1	Front-panel Port 1 RCVR A IN to A42 port 1 receiver attenuator
W133	SR	N5242-20069	1	A42 port 1 receiver attenuator to A23 mixer brick (A)
W134	SR	N5242-20070	1	A45 port 2 receiver attenuator to A23 mixer brick (B)
W135	SR	N5242-20073	1	Front-panel Port 2 RCVR B IN to A45 port 2 receiver attenuator
W136	SR	N5242-20068	1	A33 reference mixer switch to A23 mixer brick (R1)
W137	SR	N5242-20074	1	A28 port 2 bridge to front-panel REF 2 SOURCE OUT

Reference Designator	Type ^a	Part Number	Qty	Description
W138	SR	N5242-20075	1	Front-panel REF 2 RCVR R2 IN to A23 mixer brick (R2)
W139	SR	N5242-20131	1	A22 splitter to A55 noise downconverter
W141	SR	N5242-20129	1	A55 noise downconverter to A7 noise receiver board L0
W142	F	N5242-60041	1	A55 noise downconverter J4 to A7 noise receiver board J9
W143	SR	N5242-20130	1	A55 noise downconverter to A7 noise receiver board RF

a. SR = semirigid coaxial cable; F = flexible coaxial cable

Figure 6-25 Bottom RF Cables, 2-Port, Options 200/219/224/029

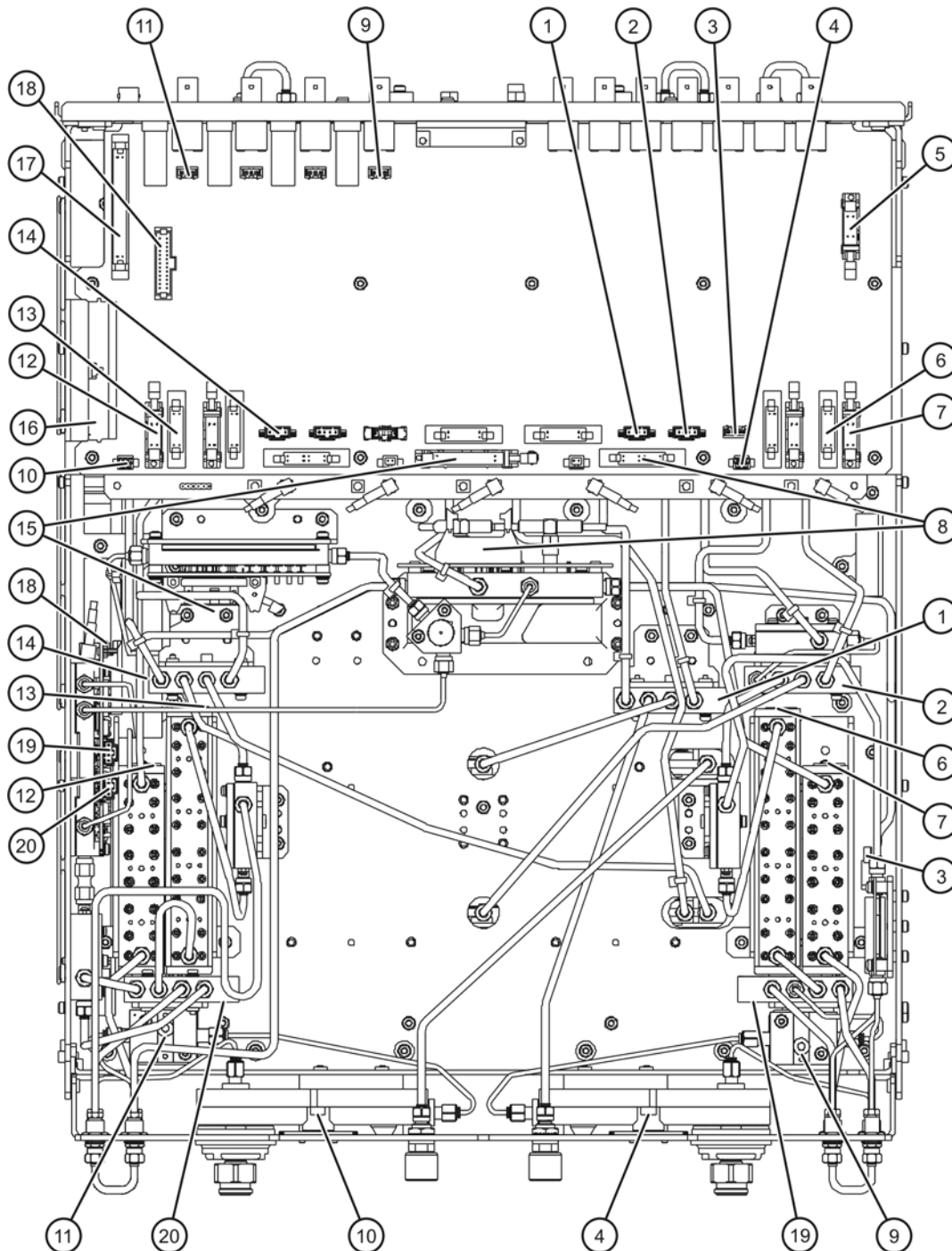


Bottom Ribbon Cables and Wire Harnesses, 2-Port, Options 200/219/224/029

Reference Designator	Type ^a	Part Number	Description
①	4W	N5242-60003	A19 test set motherboard J102 to A47 SRC 2 OUT 1 mechanical switch
②	4W	N5242-60003	A19 test set motherboard J101 to A46 port 1 mechanical switch
③	4W	N5242-60002	A19 test set motherboard J3 to A33 reference mixer switch
④	3W	N5242-60009	A19 test set motherboard J221 to port 1 LED board J1
⑤	10R	N5242-60005	Rear-panel PWR I/O to A19 test set motherboard J301
⑥	14R	N5242-60008	A19 test set motherboard J201 to A34 port 1 source attenuator
⑦	10R	N5242-60007	A19 test set motherboard J205 to A42 port 1 receiver attenuator
⑧	16R	N5242-60006	A19 test set motherboard J212 to A23 mixer brick (1)
⑨	2W	--	A19 test set motherboard J541 to A38 port 1 bias tee
⑩	3W	N5242-60009	A19 test set motherboard J222 to port 2 LED board J1
⑪	2W	--	A19 test set motherboard J544 to A41 port 2 bias tee
⑫	10R	N5242-60007	A19 test set motherboard J208 to A45 port 2 receiver attenuator
⑬	14R	N5242-60008	A19 test set motherboard J204 to A37 port 2 source attenuator
⑭	4W	N5242-60003	A19 test set motherboard J104 to A49 port 2 mechanical switch
⑮	24R	N5242-60011	A19 test set motherboard J209 to A21HMA26.5
⑯	100R	N5242-60004	A14 system motherboard J1 to A19 test set motherboard J1 to A20 IF multiplexer board J1
⑰	36R	8121-0834	Rear-panel HANDLER I/O to A19 test set motherboard J400
⑱	30R	N5242-60033	A19 test set motherboard J548 to A55 noise downconverter J1
⑲	P/O A52 port 1 noise bypass switch. Refer to “Bottom Assemblies, 2-Port, Options 200/219/224” on page 6-49.		
⑳	P/O A53 port 2 noise bypass switch. Refer to “Bottom Assemblies, 2-Port, Options 200/219/224” on page 6-49.		

a. nR = n wires in a ribbon (flat) cable; nW = n wires in a wire harness

Figure 6-26 Bottom Ribbon Cables and Wire Harnesses, 2-Port, Options 200/219/224/029



(Some parts removed for clarity.)

N5242_001_612

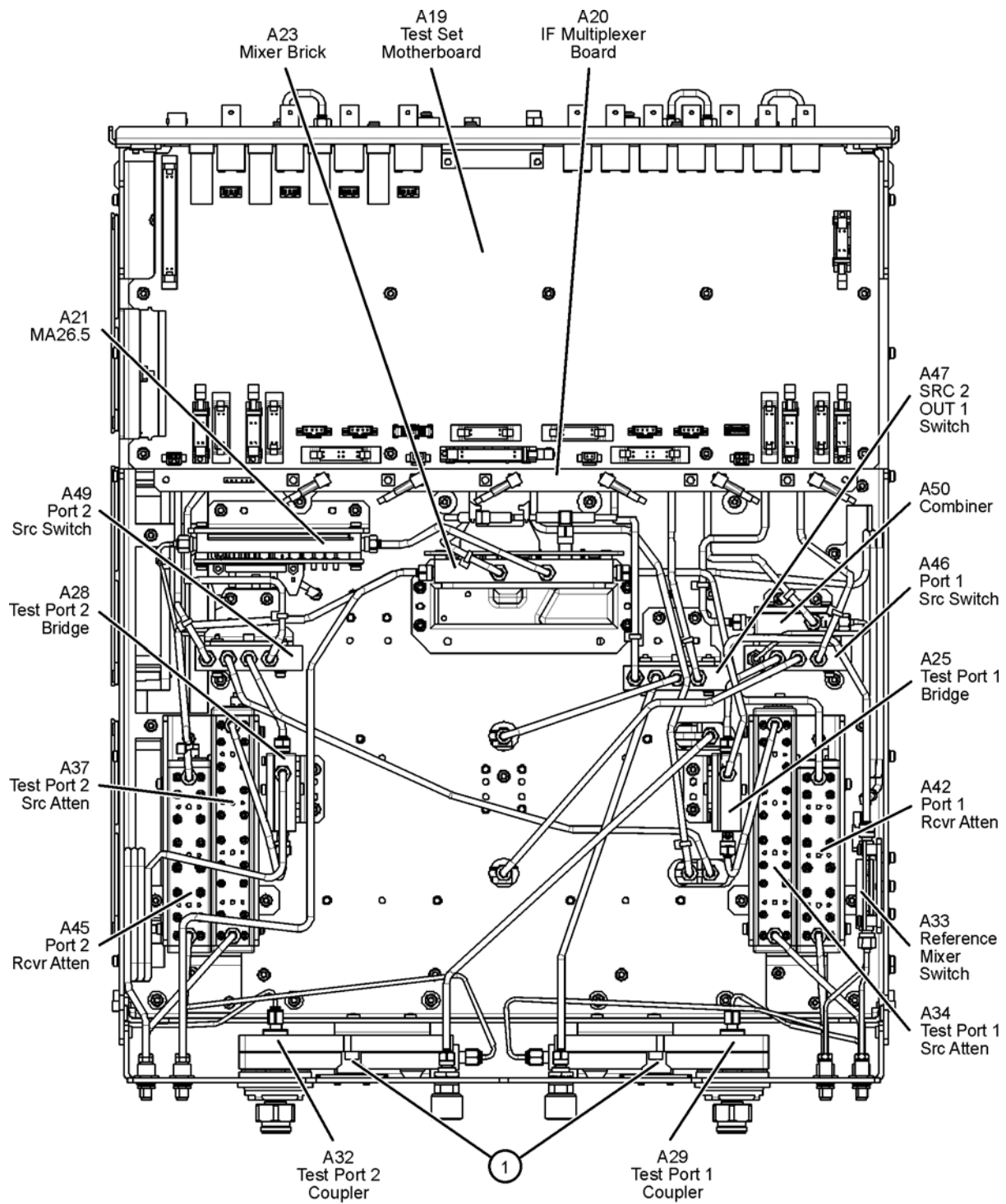
2-Port Configuration, Options 200/219/224/H85

Bottom Assemblies, 2-Port, Options 200/219/224/H85

Reference Designator	Part Number ^a	Qty	Description
A19	N5245-60003	1	Test set motherboard
A20	N5240-60062 Was N5240-60045	1	IF multiplexer board
A21	5087-7711	1	LO Multiplier/amplifier 26.5 (HMA26.5)
A23	5087-7722 was 5087-7308	1	Mixer brick
A25 A28	5087-7315	2	Test port 1 bridge Test port 2 bridge
A29 A32	5087-7710	2	Test port 1 coupler Test port 2 coupler
A33	N5240-60048	1	Reference mixer switch
A34 A37	33321-60070	2	Test port 1 source attenuator Test port 2 source attenuator
A42 A45	33321-60066	2	Port 1 receiver attenuator Port 2 receiver attenuator
A46 A47 A49	N1811-60028 Was N1811-60006	3	Port 1 mechanical switch SRC 2 OUT 1 mechanical switch Port 2 mechanical switch
A50	5087-7315	1	Combiner
①	N5240-60058 Was N5240-60051	2	Front panel LED board

a. Part numbers in *italic* typeface are for rebuilt exchange assemblies. Refer to “[Rebuilt-Exchange Assemblies](#)” on page 6-5.

Figure 6-27 Bottom Assemblies, 2-Port, Options 200/219/224/H85



(Some parts removed for clarity.)

n5242_001_648

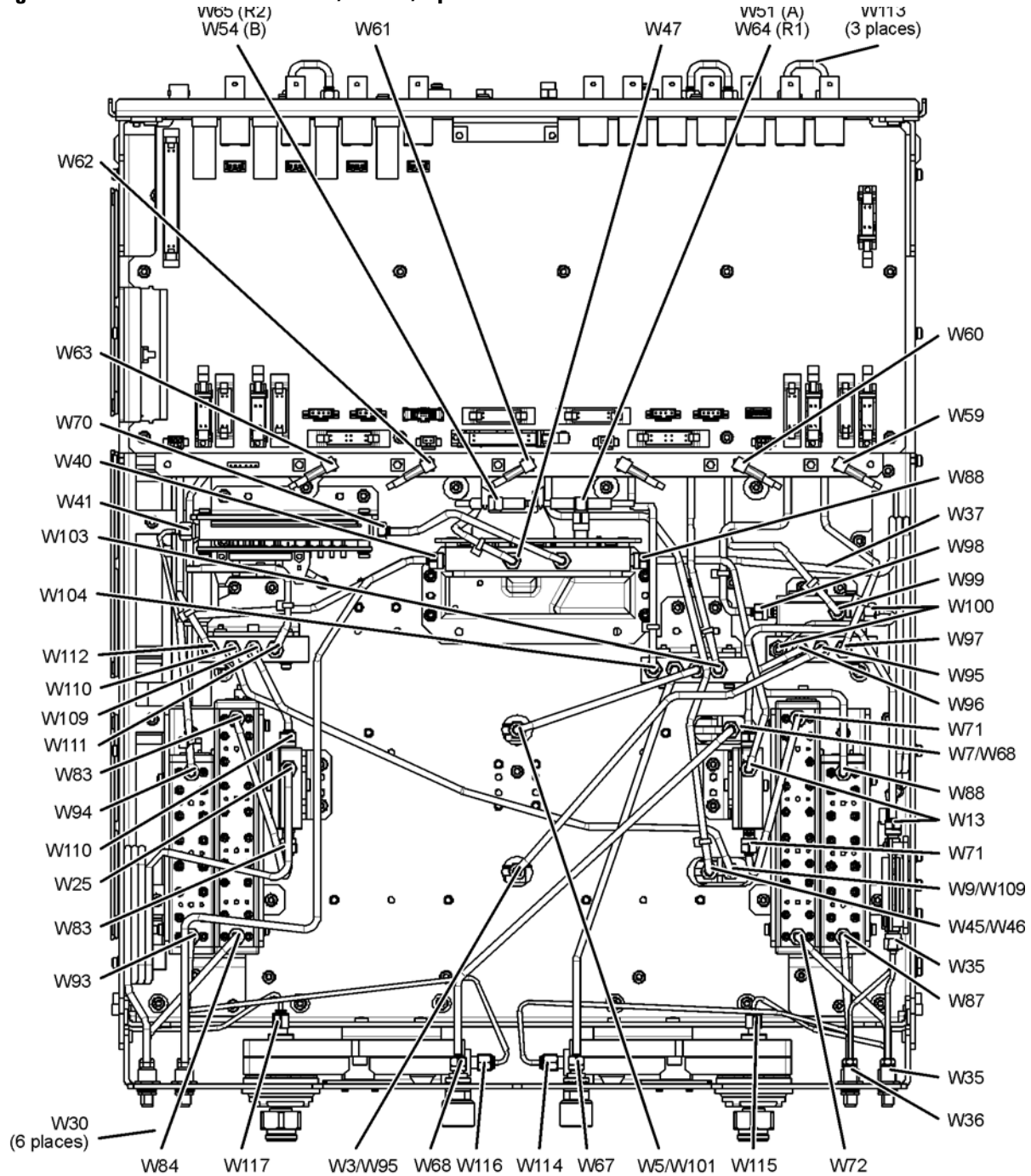
Bottom RF Cables, 2-Port, Options 200/219/224/H85

Reference Designator	Type ^a	Part Number	Qty	Description
W3	SR	N5242-20091	1	A5 source (1) to W95
W5	SR	N5242-20091	1	A8 source (2) to W101
W7	SR	N5242-20092	1	A8 source (2) to W115
W9	SR	N5242-20092	1	A5 source (1) to W109
W13	SR	N5242-20011	1	A25 port 1 bridge to A33 reference mixer switch
W25	SR	N5242-20048	1	A28 port 2 bridge to front-panel REF 2 SOURCE OUT
W30	SR	E8356-20072	6	Front panel jumper
W35	SR	N5242-20043	1	A33 reference mixer switch to front-panel REF 1 SOURCE OUT
W36	SR	N5242-20042	1	REF 1 RCVR R1 IN to A33 reference mixer switch
W37	SR	N5242-20009	1	A33 reference mixer switch to A23 mixer brick (R1)
W40	SR	N5242-20049	1	REF 2 RCVR R2 IN to A23 mixer brick (R2)
W41	SR	N5242-20110	1	A11 13.5 GHz synthesizer to A21 HMA26.5
W45	SR	N5242-20093	1	A5 source (1) to W46
W46	SR	N5242-20090	1	W46 to rear-panel EXT TSET DRIVE RF OUT (J6)
W47	SR	N5242-20089	1	A23 mixer brick to EXT TSET DRIVE LO OUT (J5)
W51	F	N5242-60017	1	A23 mixer brick (A) to A20 IF multiplexer (P1)
W54	F	N5242-60018	1	A23 mixer brick (B) to A20 IF multiplexer (P201)
W59	F	N5242-60012	1	A20 IF multiplexer (P3) to A12 SPAM (J1)
W60	F	N5242-60013	1	A20 IF multiplexer (P203) to A12 SPAM (J2)
W61	F	N5242-60014	1	A20 IF multiplexer (P403) to A12 SPAM (J4)
W62	F	N5242-60015	1	A20 IF multiplexer (P603) to A12 SPAM (J5)
W63	F	N5242-60016	1	A20 IF multiplexer (P803) to A12 SPAM (J6)
W64	F	N5242-60025	1	A23 mixer brick (R1) to A20 IF multiplexer (P601)
W65	F	N5242-60026	1	A23 mixer brick (R2) to A20 IF multiplexer (P801)
W67	SR	N5242-20106	1	A47 SRC 2 OUT 1 switch to front-panel SRC 2 OUT 1
W68	SR	N5242-20107	1	W7 to SRC 2 OUT 2
W70	SR	N5242-20123	1	A21 HMA26.5 to A23 mixer brick
W71	SR	N5242-20005	1	A25 port 1 bridge to A34 port 1 source attenuator
W72	SR	N5242-20038	1	A34 port 1 source attenuator to front-panel Port 1 SOURCE OUT
W83	SR	N5242-20002	1	A28 port 2 bridge to A37 port 2 source attenuator
W84	SR	N5242-20046	1	A37 port 2 source attenuator to front-panel Port 2 SOURCE OUT
W87	SR	N5242-20041	1	Port 1 RCVR A IN to A42 port 1 receiver attenuator
W88	SR	N5242-20010	1	A42 port 1 receiver attenuator to A23 mixer brick (A)
W93	SR	N5242-20047	1	Port 2 RCVR B IN to A45 port 2 receiver attenuator
W94	SR	N5242-20016	1	A45 port 2 receiver attenuator to A23 mixer brick (B)
W95	SR	N5242-20020	1	W3 to A46 port 1 mechanical switch
W96	SR	N5242-20007	1	A46 port 1 mechanical switch to A25 port 1 bridge
W97	SR	N5242-20086	1	A46 port 1 mechanical switch to PORT 1 SW SRC OUT (J11)
W98	SR	N5242-20087	1	Rear-panel PORT 1 COMB THRU IN (J10) to A50 combiner
W99	SR	N5242-20088	1	Rear-panel PORT 1 COMB ARM IN (J9) to A50 combiner
W100	SR	N5242-20008	1	A50 combiner to A46 port 1 mechanical switch
W101	SR	N5242-20017	1	W5 to A47 SRC 2 mechanical switch
W103	SR	N5242-20081	1	A47 SRC 2 mechanical switch to SRC 2 SW SRC OUT (J8)
W104	SR	N5242-20080	1	Rear-panel PORT 3 SW TSET IN (J7) to A47 SRC 2 mechanical switch
W109	SR	N5242-20019	1	W9 to A49 port 2 mechanical switch
W110	SR	N5242-20004	1	A4 port 2 mechanical switch to A28 port 2 bridge
W111	SR	N5242-20084	1	A49 port 2 mechanical switch to PORT 2 SW SRC OUT (J2)
W112	SR	N5242-20085	1	Rear-panel PORT 2 SW TSET IN (J1) to A49 port 2 mechanical switch
W113	SR	E8356-20072	3	Rear panel jumper
W114	SR	N5242-20111	1	Port 1 CPLR THRU to A29 port 1 coupler
W115	SR	N5242-20113	1	A29 port 1 coupler to front-panel Port 1 CPLR ARM
W116	SR	N5242-20112	1	Port 2 CPLR THRU to A32 port 2 coupler

Reference Designator	Type ^a	Part Number	Qty	Description
W117	SR	N5242-20114	1	A32 port 2 coupler to front-panel Port 2 CPLR ARM

a. SR = semirigid coaxial cable; F = flexible coaxial cable

Figure 6-28 Bottom RF Cables, 2-Port, Options 200/219/224/H85



n5242_001_649

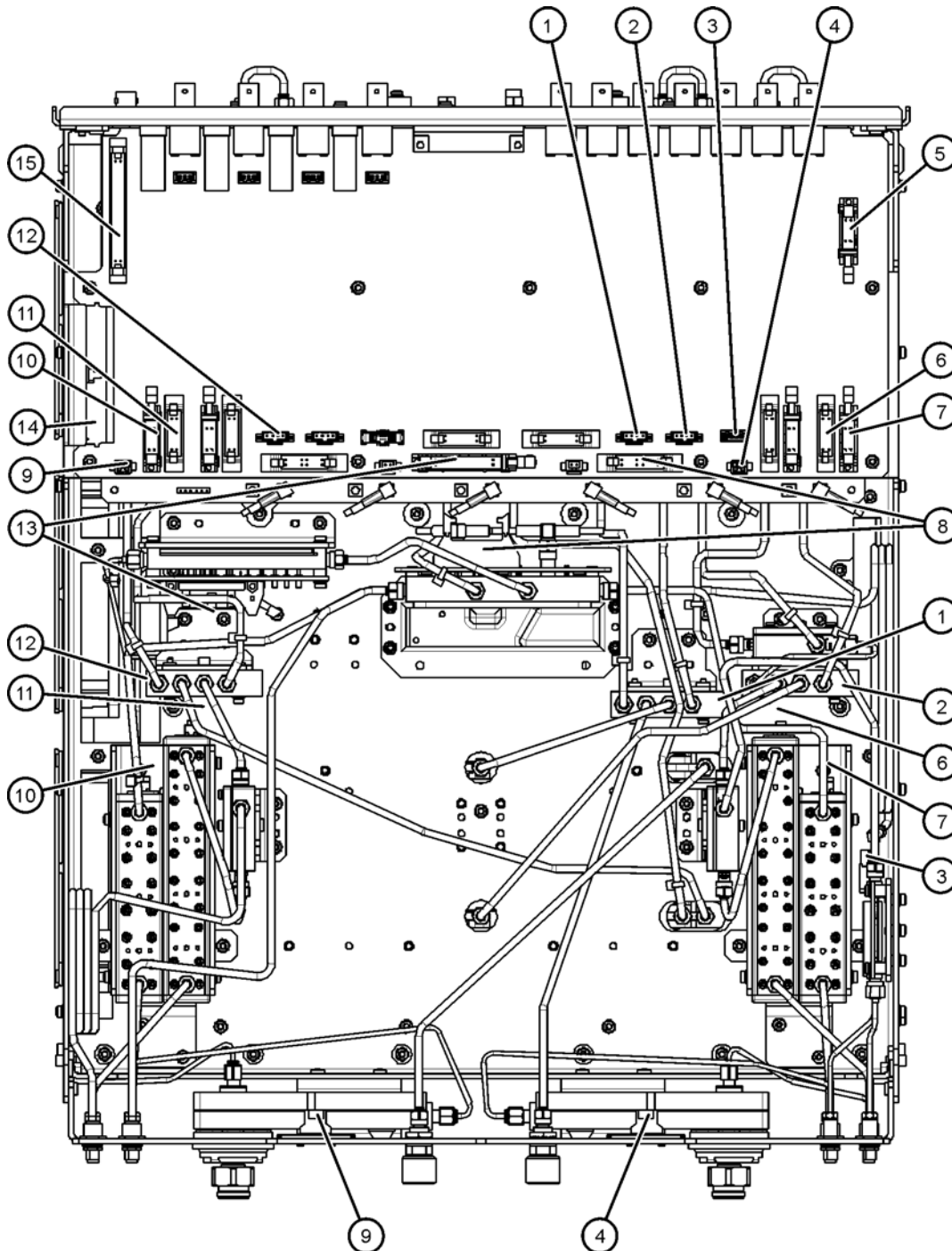
(Some parts removed for clarity.)

Bottom Ribbon Cables and Wire Harnesses, 2-Port, Options 200/219/224/H85

Reference Designator	Type ^a	Part Number	Description
①	4W	N5242-60003	A19 test set motherboard J102 to A47 SRC 2 OUT 1 mechanical switch
②	4W	N5242-60003	A19 test set motherboard J101 to A46 port 1 mechanical switch
③	4W	N5242-60002	A19 test set motherboard J3 to A33 reference mixer switch
④	3W	N5242-60009	A19 test set motherboard J221 to port 1 LED board J1
⑤	10R	N5242-60005	Rear-panel PWR I/O to A19 test set motherboard J301
⑥	14R	N5242-60008	A19 test set motherboard J201 to A34 port 1 source attenuator
⑦	10R	N5242-60007	A19 test set motherboard J205 to A42 port 1 receiver attenuator
⑧	16R	N5242-60006	A19 test set motherboard J212 to A23 mixer brick (1)
⑨	3W	N5242-60009	A19 test set motherboard J222 to port 2 LED board J1
⑩	10R	N5242-60007	A19 test set motherboard J208 to A45 port 2 receiver attenuator
⑪	14R	N5242-60008	A19 test set motherboard J204 to A37 port 2 source attenuator
⑫	4W	N5242-60003	A19 test set motherboard J104 to A49 port 2 mechanical switch
⑬	24R	N5242-60011	A19 test set motherboard J209 to A21HMA26.5
⑭	100R	N5242-60004	A14 system motherboard J1 to A19 test set motherboard J1 to A20 IF multiplexer board J1
⑮	36R	8121-0834	Rear-panel HANDLER I/O to A19 test set motherboard J400

a. nR = n wires in a ribbon (flat) cable; nW = n wires in a wire harness

Figure 6-29 Bottom Ribbon Cables and Wire Harnesses, 2-Port, Options 200/219/224/H85



(Some parts removed for clarity.)

N5242_001_650

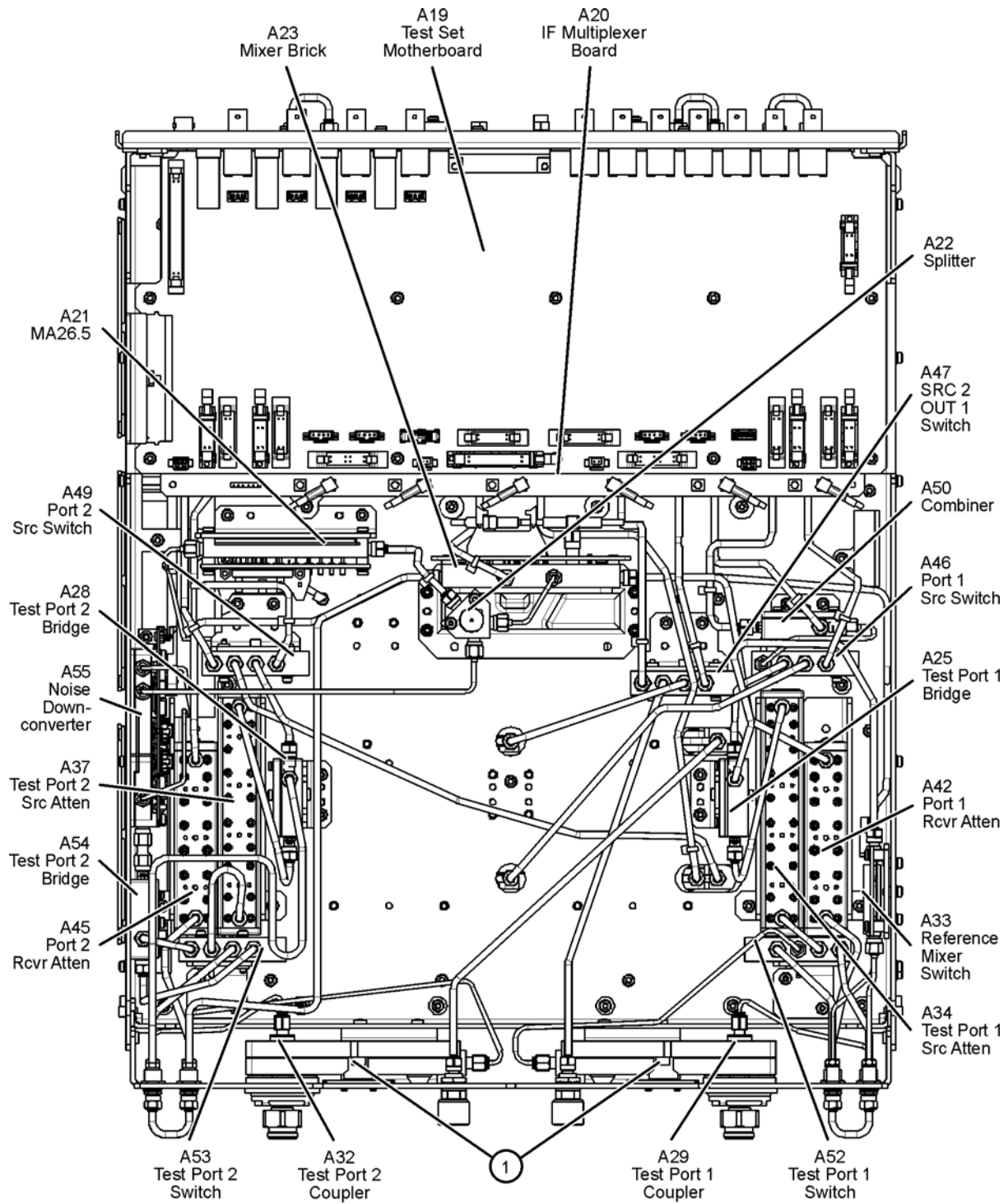
2-Port Configuration, Options 200/219/224/029/H85

Bottom Assemblies, 2-Port, Options 200/219/224/029/H85

Reference Designator	Part Number ^a	Qty	Description
A19	N5245-60003	1	Test set motherboard
A20	N5240-60062 <i>Was N5240-60045</i>	1	IF multiplexer board
A21	5087-7711	1	LO Multiplier/amplifier 26.5 (HMA26.5)
A22	5087-7139 <i>5087-6139</i>	1	Splitter (Option 029 only)
A23	5087-7722 <i>Was 5087-7308</i>	1	Mixer brick
A25 A28	5087-7315	2	Test port 1 bridge Test port 2 bridge
A29 A32	5087-7710	2	Test port 1 coupler Test port 2 coupler
A33	N5240-60048	1	Reference mixer switch
A34 A37	33321-60070	2	Test port 1 source attenuator Test port 2 source attenuator
A42 A45	33321-60066	2	Port 1 receiver attenuator Port 2 receiver attenuator
A46 A47 A49	N1811-60028 <i>Was N1811-60006</i>	3	Port 1 mechanical switch SRC 2 OUT 1 mechanical switch Port 2 mechanical switch
A50	5087-7315	1	Combiner
A52	N1811-60030 <i>Was N1811-60008</i>	1	Test port 1 noise bypass switch (Option 029 only)
A53	N1811-60028 <i>Was N1811-60006</i>	1	Test port 2 noise bypass switch (Option 029 only)
A54	5087-7729 <i>Was 5087-7315</i>	1	Test port 2 bridge (Option 029 only)
A55	5087-7767 <i>Was 5087-7316</i>	1	Noise downconverter (Option 029 only)
①	N5240-60058 <i>Was N5240-60051</i>	2	Front panel LED board

a. Part numbers in *italic* typeface are for rebuilt exchange assemblies. Refer to [“Rebuilt-Exchange Assemblies”](#) on page 6-5.

Figure 6-30 Bottom Assemblies, 2-Port, Options 200/219/224/029/H85



(Some parts removed for clarity.)

n5242_001_651

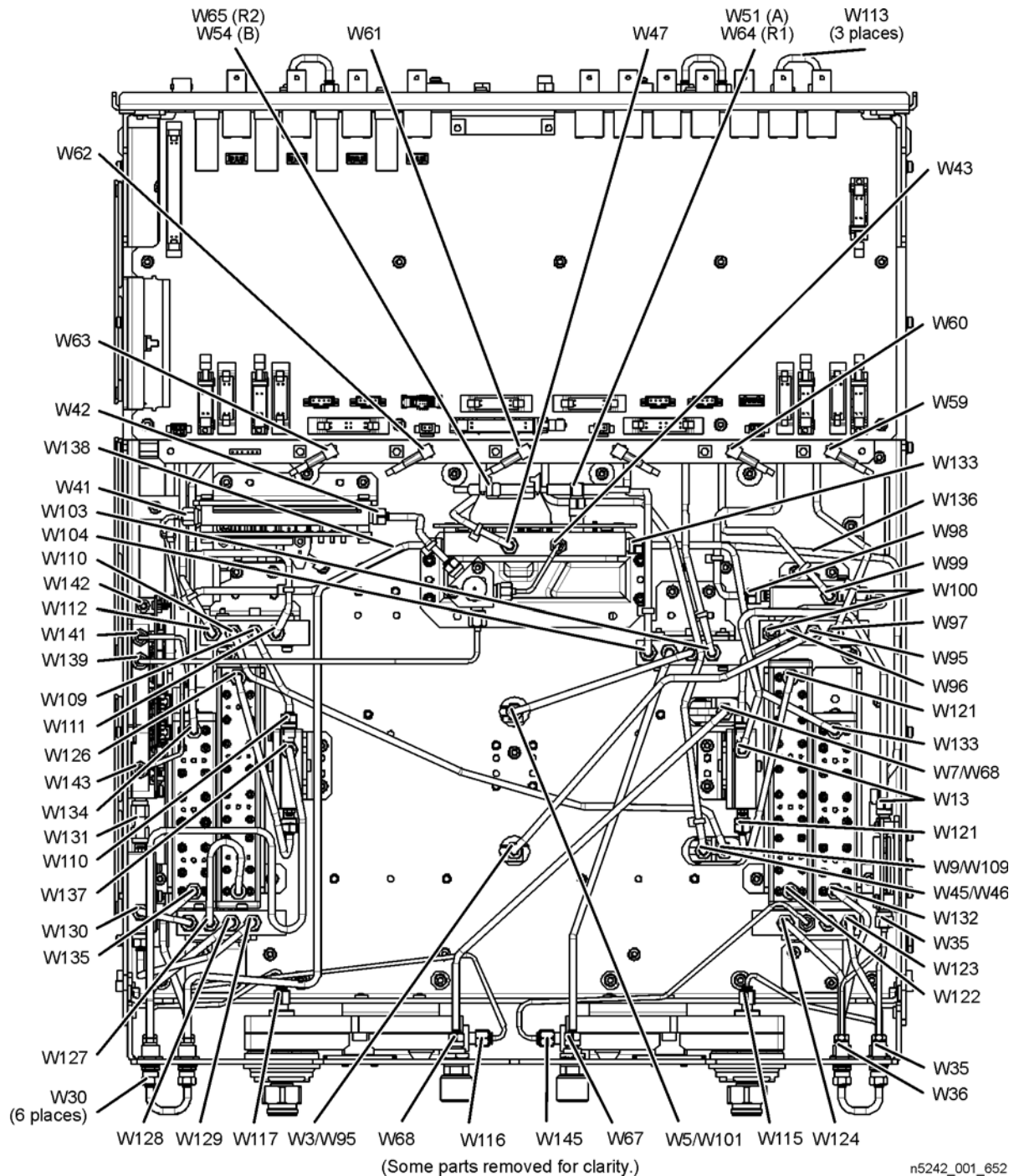
Bottom RF Cables, 2-Port, Options 200/219/224/029/H85

Reference Designator	Type ^a	Part Number	Qty	Description
W3	SR	N5242-20091	1	A5 source (1) to W95
W5	SR	N5242-20091	1	A8 source (2) to W101
W7	SR	N5242-20092	1	A8 source (2) to W115
W9	SR	N5242-20092	1	A5 source (1) to W109
W13	SR	N5242-20011	1	A25 port 1 bridge to A33 reference mixer switch
W30	SR	E8356-20072	6	Front panel jumper
W35	SR	N5242-20043	1	A33 reference mixer switch to front-panel REF 1 SOURCE OUT
W36	SR	N5242-20042	1	REF 1 RCVR R1 IN to A33 reference mixer switch
W41	SR	N5242-20110	1	A11 13.5 GHz synthesizer to A21 HMA26.5
W42	SR	N5242-20015	1	A21 HMA26.5 to A22 splitter
W43	SR	N5242-20013	1	A22 splitter to A23 mixer brick
W45	SR	N5242-20093	1	A5 source (1) to W46
W46	SR	N5242-20090	1	W46 to rear-panel EXT TSET DRIVE RF OUT (J6)
W47	SR	N5242-20089	1	A23 mixer brick to EXT TSET DRIVE LO OUT (J5)
W51	F	N5242-60017	1	A23 mixer brick (A) to A20 IF multiplexer (P1)
W54	F	N5242-60018	1	A23 mixer brick (B) to A20 IF multiplexer (P201)
W59	F	N5242-60012	1	A20 IF multiplexer (P3) to A12 SPAM (J1)
W60	F	N5242-60013	1	A20 IF multiplexer (P203) to A12 SPAM (J2)
W61	F	N5242-60014	1	A20 IF multiplexer (P403) to A12 SPAM (J4)
W62	F	N5242-60015	1	A20 IF multiplexer (P603) to A12 SPAM (J5)
W63	F	N5242-60016	1	A20 IF multiplexer (P803) to A12 SPAM (J6)
W64	F	N5242-60025	1	A23 mixer brick (R1) to A20 IF multiplexer (P601)
W65	F	N5242-60026	1	A23 mixer brick (R2) to A20 IF multiplexer (P801)
W67	SR	N5242-20106	1	A47 SRC 2 OUT 1 switch to front-panel SRC 2 OUT 1
W68	SR	N5242-20107	1	W7 to SRC 2 OUT 2
W95	SR	N5242-20020	1	W3 to A46 port 1 mechanical switch
W96	SR	N5242-20007	1	A46 port 1 mechanical switch to A25 port 1 bridge
W97	SR	N5242-20086	1	A46 port 1 mechanical switch to PORT 1 SW SRC OUT (J11)
W98	SR	N5242-20087	1	Rear-panel PORT 1 COMB THRU IN (J10) to A50 combiner
W99	SR	N5242-20088	1	Rear-panel PORT 1 COMB ARM IN (J9) to A50 combiner
W100	SR	N5242-20008	1	A50 combiner to A46 port 1 mechanical switch
W101	SR	N5242-20017	1	W5 to A47 SRC 2 mechanical switch
W103	SR	N5242-20081	1	A47 SRC 2 mechanical switch to SRC 2 SW SRC OUT (J8)
W104	SR	N5242-20080	1	Rear-panel PORT 3 SW TSET IN (J7) to A47 SRC 2 mechanical switch
W109	SR	N5242-20019	1	W9 to A49 port 2 mechanical switch
W110	SR	N5242-20004	1	A4 port 2 mechanical switch to A28 port 2 bridge
W111	SR	N5242-20084	1	A49 port 2 mechanical switch to PORT 2 SW SRC OUT (J2)
W112	SR	N5242-20085	1	Rear-panel PORT 2 SW TSET IN (J1) to A49 port 2 mechanical switch
W113	SR	E8356-20072	3	Rear panel jumper
W115	SR	N5242-20113	1	A29 port 1 coupler to front-panel Port 1 CPLR ARM
W116	SR	N5242-20112	1	A32 port 2 coupler to front-panel Port 2 CPLR THRU
W117	SR	N5242-20114	1	A32 port 2 coupler to front-panel Port 2 CPLR ARM
W121	SR	N5242-20067	1	A25 port 1 bridge to A34 port 1 source attenuator
W122	SR	N5242-20147 Was N5242-20128	1	A34 port 1 source attenuator to A52 port 1 noise bypass switch
W123	SR	N5242-20127	1	A52 port 1 noise bypass switch to front-panel Port 1 SOURCE OUT
W124	SR	N5242-20125	1	Front-panel Port 1 CPLR THRU to A52 port 1 noise bypass switch
W126	SR	N5242-20066	1	A28 port 2 bridge to A37 port 2 source attenuator
W127	SR	N5242-20116	1	A37 port 2 source attenuator to A53 port 2 noise bypass switch
W128	SR	N5242-20134	1	A53 port 2 noise bypass switch to front-panel Port 2 SOURCE OUT
W129	SR	N5242-20117	1	A53 port 2 noise bypass switch to A54 port 2 bridge
W130	SR	N5242-20148	1	A53 port 2 noise bypass switch to A54 port 2 bridge
W131	SR	1250-3576	1	Adapter, coax, straight, m-m, 50 ohm
W132	SR	N5242-20072	1	Front-panel Port 1 RCVR A IN to A42 port 1 receiver attenuator
W133	SR	N5242-20069	1	A42 port 1 receiver attenuator to A23 mixer brick (A)
W134	SR	N5242-20070	1	A45 port 2 receiver attenuator to A23 mixer brick (B)
W135	SR	N5242-20073	1	Front-panel Port 2 RCVR B IN to A45 port 2 receiver attenuator
W136	SR	N5242-20068	1	A33 reference mixer switch to A23 mixer brick (R1)
W137	SR	N5242-20074	1	A28 port 2 bridge to front-panel REF 2 SOURCE OUT
W138	SR	N5242-20075	1	Front-panel REF 2 RCVR R2 IN to A23 mixer brick (R2)
W139	SR	N5242-20131	1	A22 splitter to A55 noise downconverter

Reference Designator	Type ^a	Part Number	Qty	Description
W141	SR	N5242-20129	1	A55 noise downconverter to A7 noise receiver board L0
W142	F	N5242-60041	1	A55 noise downconverter J4 to A7 noise receiver board J9
W143	SR	N5242-20130	1	A55 noise downconverter to A7 noise receiver board RF
W145	SR	N5242-20145	1	A52 port 1 noise bypass switch to A29 port 1 coupler

a. SR = semirigid coaxial cable; F = flexible coaxial cable

Figure 6-31 Bottom RF Cables, 2-Port, Options 200/219/224/029/H85

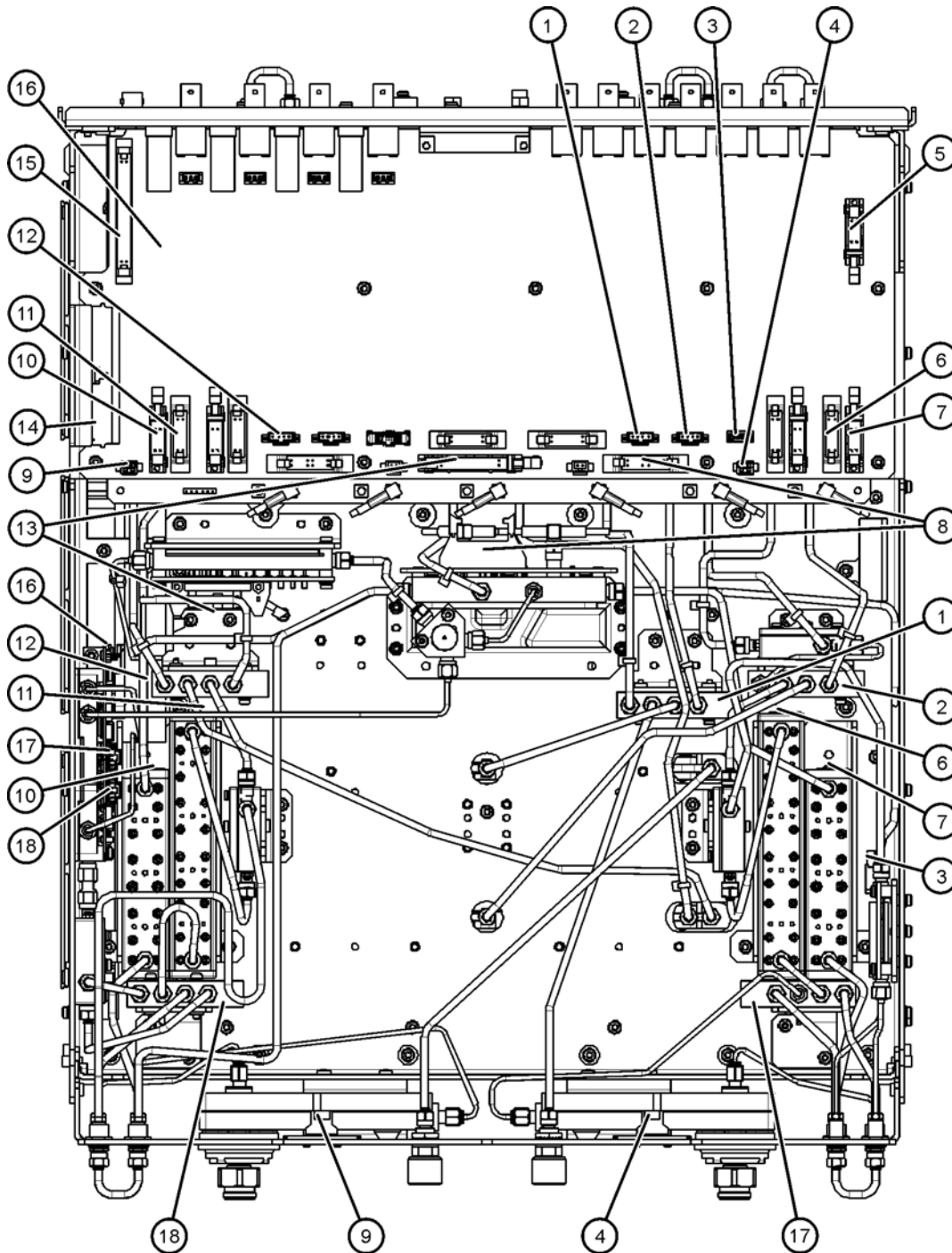


Bottom Ribbon Cables and Wire Harnesses, 2-Port, Options 200/219/224/029/H85

Reference Designator	Type ^a	Part Number	Description
①	4W	N5242-60003	A19 test set motherboard J102 to A47 SRC 2 OUT 1 mechanical switch
②	4W	N5242-60003	A19 test set motherboard J101 to A46 port 1 mechanical switch
③	4W	N5242-60002	A19 test set motherboard J3 to A33 reference mixer switch
④	3W	N5242-60009	A19 test set motherboard J221 to port 1 LED board J1
⑤	10R	N5242-60005	Rear-panel PWR I/O to A19 test set motherboard J301
⑥	14R	N5242-60008	A19 test set motherboard J201 to A34 port 1 source attenuator
⑦	10R	N5242-60007	A19 test set motherboard J205 to A42 port 1 receiver attenuator
⑧	16R	N5242-60006	A19 test set motherboard J212 to A23 mixer brick (1)
⑨	3W	N5242-60009	A19 test set motherboard J222 to port 2 LED board J1
⑩	10R	N5242-60007	A19 test set motherboard J208 to A45 port 2 receiver attenuator
⑪	14R	N5242-60008	A19 test set motherboard J204 to A37 port 2 source attenuator
⑫	4W	N5242-60003	A19 test set motherboard J104 to A49 port 2 mechanical switch
⑬	24R	N5242-60011	A19 test set motherboard J209 to A21HMA26.5
⑭	100R	N5242-60004	A14 system motherboard J1 to A19 test set motherboard J1 to A20 IF multiplexer board J1
⑮	36R	8121-0834	Rear-panel HANDLER I/O to A19 test set motherboard J400
⑯	30R	N5242-60033	A19 test set motherboard J548 to A55 noise downconverter J1
⑰	P/O A52 port 1 noise bypass switch. Refer to "Bottom Assemblies, 2-Port, Options 200/219/224" on page 6-49.		
⑱	P/O A53 port 2 noise bypass switch. Refer to "Bottom Assemblies, 2-Port, Options 200/219/224" on page 6-49.		

a. nR = n wires in a ribbon (flat) cable; nW = n wires in a wire harness

Figure 6-32 Bottom Ribbon Cables and Wire Harnesses, 2-Port, Options 200/219/224/029/H85



(Some parts removed for clarity.)

N5242_001_653

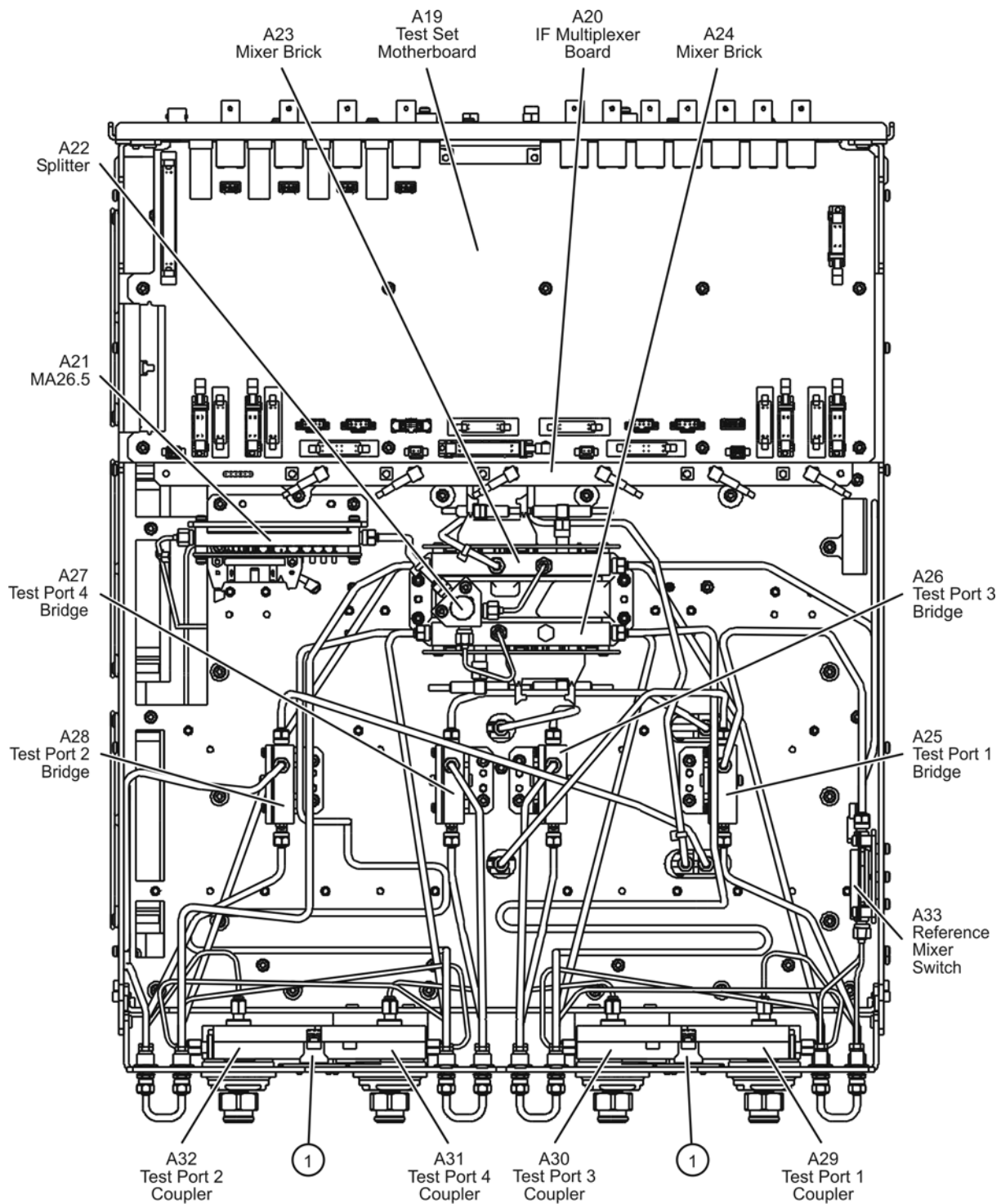
4-Port Configuration, Option 400

Bottom Assemblies, Standard 4-Port Configuration, Option 400

Reference Designator	Part Number ^a	Qty	Description
A19	N5245-60003 was N5240-60043	1	Test set motherboard
A20	N5240-60062 Was N5240-60045	1	IF multiplexer board
A21	5087-7711	1	LO Multiplier/amplifier 26.5 (HMA26.5)
A22	5087-7139 <i>5087-6139</i>	1	Splitter
A23 A24	5087-7722 was 5087-7308	2	Mixer brick
A25 A26 A27 A28	5087-7315	4	Test port 1 bridge Test port 3 bridge Test port 4 bridge Test port 2 bridge
A29 A30 A31 A32	5087-7710	4	Test port 1 coupler Test port 3 coupler Test port 4 coupler Test port 2 coupler
A33	N5240-60048	1	Reference mixer switch
①	N5240-60058 Was N5240-60051	2	Front panel LED board

a. Part numbers in *italic* typeface are for rebuilt exchange assemblies. Refer to [“Rebuilt-Exchange Assemblies” on page 6-5](#).

Figure 6-33 Bottom Assemblies, Standard 4-Port Configuration, Option 400



(Some parts removed for clarity.)

n5242_001_613

Bottom RF Cables, Standard 4-Port Configuration, Option 400

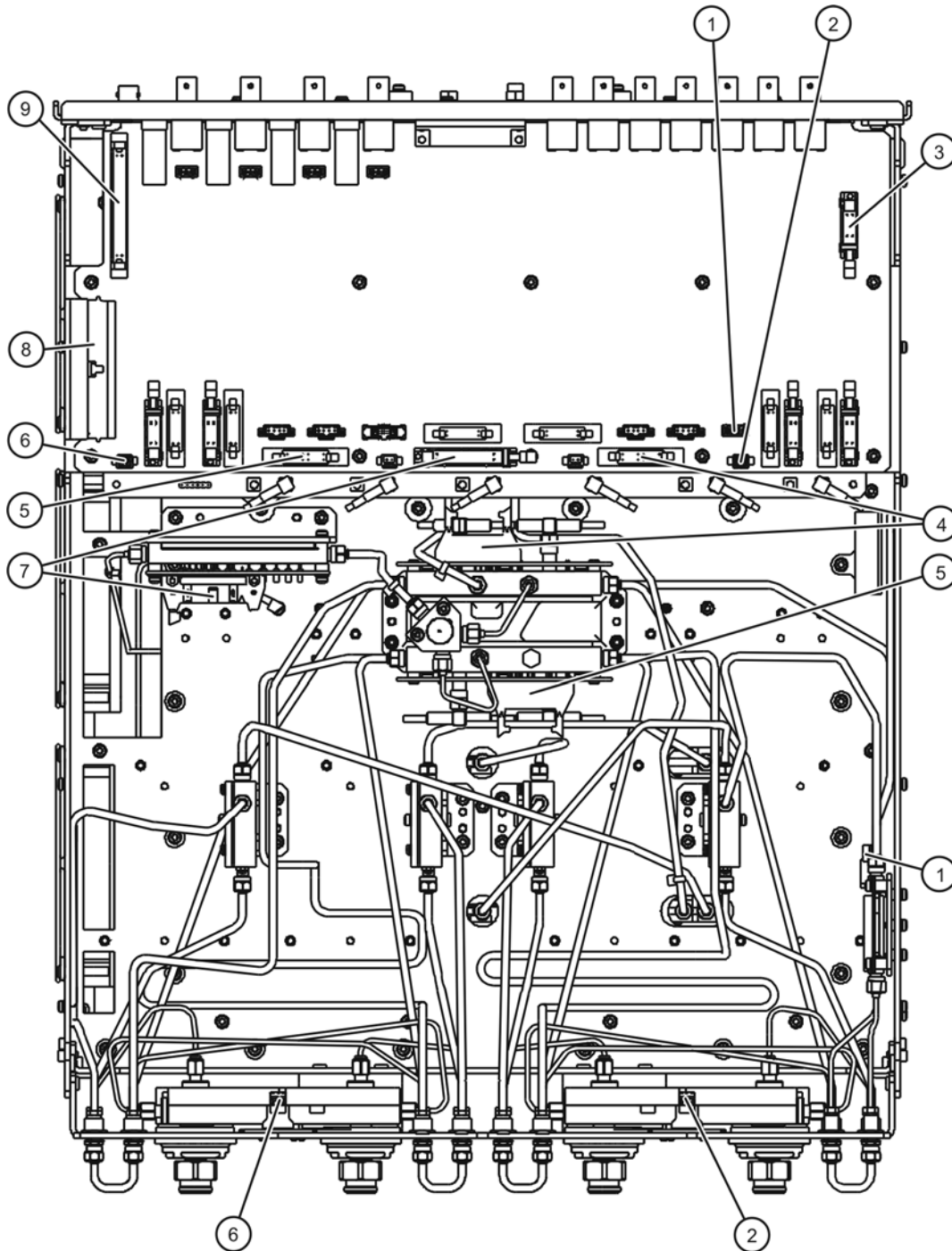
Reference Designator	Type ^a	Part Number	Qty	Description
W3	SR	N5242-20091	1	A5 source (1) to W4
W4	SR	N5242-20050	1	W3 to A25 port 1 bridge
W5	SR	N5242-20091	1	A8 source (2) to W6
W6	SR	N5242-20051	1	W5 to A26 port 3 bridge
W7	SR	N5242-20092	1	A8 source (2) to W8
W8	SR	N5242-20052	1	W7 to A27 port 4 bridge
W9	SR	N5242-20092	1	A5 source (1) to W10
W10	SR	N5242-20053	1	W9 to A28 port 2 bridge
W11	SR	N5242-20054	1	A25 port 1 bridge to front-panel Port 1 SOURCE OUT
W12	SR	N5242-20055	1	Port 1 CPLR THRU to A29 port 1 coupler
W13	SR	N5242-20011	1	A25 port 1 bridge to A33 reference mixer switch
W14	SR	N5242-20040	1	A29 port 1 coupler to front-panel Port 1 CPLR ARM
W15	SR	N5242-20057	1	A26 port 3 bridge to front-panel Port 3 SOURCE OUT
W16	SR	N5242-20059	1	Port 3 CPLR THRU to A30 port 3 coupler
W17	SR	N5242-20033	1	A26 port 3 bridge to front-panel REF 3 SOURCE OUT
W18	SR	N5242-20025	1	A30 port 3 coupler to front-panel Port 3 CPLR ARM
W19	SR	N5242-20060	1	A27 port 4 bridge to front-panel Port 4 SOURCE OUT
W20	SR	N5242-20064	1	Port 4 CPLR THRU to A31 port 4 coupler
W21	SR	N5242-20035	1	A27 port 4 bridge to front-panel REF 4 SOURCE OUT
W22	SR	N5242-20028	1	A31 port 4 coupler to front-panel Port 4 CPLR ARM
W23	SR	N5242-20061	1	A28 port 2 bridge to front-panel Port 2 SOURCE OUT
W24	SR	N5242-20063	1	Port 2 CPLR THRU to A32 port 2 coupler
W26	SR	N5242-20044	1	A32 port 2 coupler to front-panel Port 2 CPLR ARM
W27	SR	N5242-20079	1	A28 port 2 bridge to front-panel REF 2 SOURCE OUT
W30	SR	E8356-20072	12	Front panel jumper
W31	SR	N5242-20056	1	Port 1 RCVR A IN to A23 mixer brick (A)
W32	SR	N5242-20058	1	Port 3 RCVR C IN to A24 mixer brick (C)
W33	SR	N5242-20065	1	Port 4 RCVR D IN to A24 mixer brick (D)
W34	SR	N5242-20062	1	Port 2 RCVR B IN to A23 mixer brick (B)
W35	SR	N5242-20043	1	A33 reference mixer switch to front-panel REF 1 SOURCE OUT
W36	SR	N5242-20042	1	REF 1 RCVR R1 IN to A33 reference mixer switch
W40	SR	N5242-20049	1	REF 2 RCVR R2 IN to A23 mixer brick (R2)
W41	SR	N5242-20110	1	A11 13.5 GHz synthesizer to A21 HMA26.5
W42	SR	N5242-20015	1	A21 HMA26.5 to A22 splitter
W43	SR	N5242-20013	1	A22 splitter to A23 mixer brick
W44	SR	N5242-20014	1	A22 splitter to A24 mixer brick
W45	SR	N5242-20093	1	A5 source (1) to W46
W46	SR	N5242-20090	1	W46 to rear-panel EXT TSET DRIVE RF OUT (J6)
W47	SR	N5242-20089	1	A23 mixer brick to EXT TSET DRIVE LO OUT (J5)
W48	SR	N5242-20076	1	A33 reference mixer switch to A23 mixer brick (R1)
W49	SR	N5242-20077	1	REF 3 RCVR R3 IN to A24 mixer brick (R3)
W50	SR	N5242-20078	1	REF 4 RCVR R4 IN to A24 mixer brick (R4)
W51	F	N5242-60017	1	A23 mixer brick (A) to A20 IF multiplexer (P1)
W52	F	N5242-60021	1	A23 mixer brick (R1) to A20 IF multiplexer (P411)
W53	F	N5242-60022	1	A23 mixer brick (R2) to A20 IF multiplexer (P412)
W54	F	N5242-60018	1	A23 mixer brick (B) to A20 IF multiplexer (P201)
W55	F	N5242-60024	1	A24 mixer brick (D) to A20 IF multiplexer (P801)
W56	F	N5242-60019	1	A24 mixer brick (R4) to A20 IF multiplexer (P414)
W57	F	N5242-60020	1	A24 mixer brick (R3) to A20 IF multiplexer (P413)
W58	F	N5242-60023	1	A24 mixer brick (C) to A20 IF multiplexer (P601)
W59	F	N5242-60012	1	A20 IF multiplexer (P3) to A12 SPAM (J1)
W60	F	N5242-60013	1	A20 IF multiplexer (P203) to A12 SPAM (J2)
W61	F	N5242-60014	1	A20 IF multiplexer (P403) to A12 SPAM (J4)

Bottom Ribbon Cables and Wire Harnesses, Standard 4-Port Configuration, Option 400

Reference Designator	Type ^a	Part Number	Description
①	4W	N5242-60002	A19 test set motherboard J3 to A33 reference mixer switch
②	3W	N5242-60009	A19 test set motherboard J221 to ports 1/3 LED board J1
③	10R	N5242-60005	Rear-panel PWR I/O to A19 test set motherboard J301
④	16R	N5242-60006	A19 test set motherboard J212 to A23 mixer brick (1)
⑤	16R	N5242-60006	A19 test set motherboard J213 to A24 mixer brick (2)
⑥	3W	N5242-60009	A19 test set motherboard J222 to ports 2/4 LED board J1
⑦	24R	N5242-60011	A19 test set motherboard J209 to A21 HMA26.5
⑧	100R	N5242-60004	A14 system motherboard J1 to A19 test set motherboard J1 to A20 IF multiplexer board J1
⑨	36R	8121-0834	Rear-panel HANDLER I/O to A19 test set motherboard J400

a. nR = n wires in a ribbon (flat) cable; nW = n wires in a wire harness

Figure 6-35 Bottom Ribbon Cables and Wire Harnesses, Standard 4-Port Configuration, Option 400



(Some parts removed for clarity.)

n5242_001_615

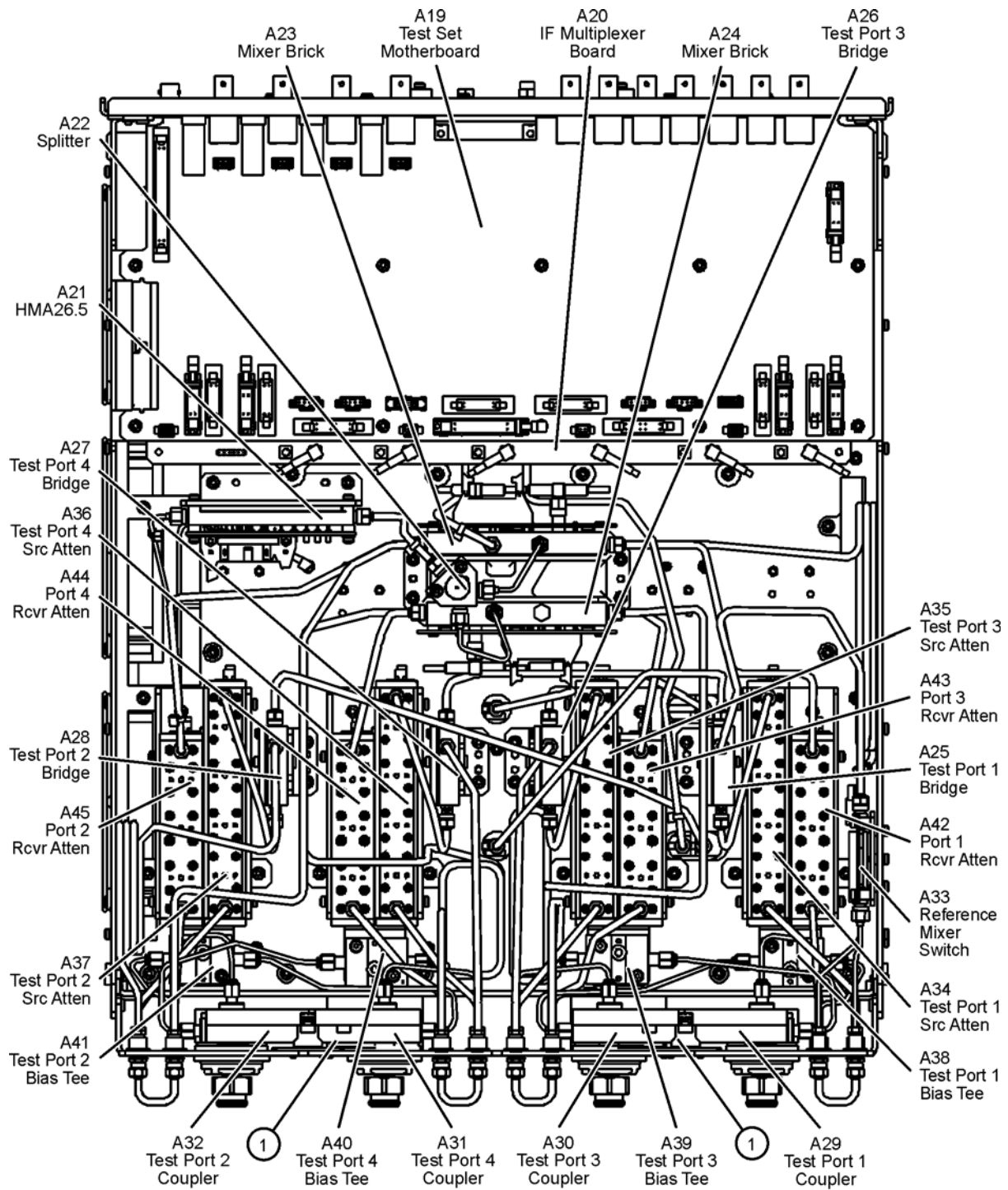
4-Port Configuration, Options 400/419

Bottom Assemblies, 4-Port, Options 400/419

Reference Designator	Part Number ^a	Qty	Description
A19	N5245-60003 <i>Was N5240-60043</i>	1	Test set motherboard
A20	N5240-60062 <i>Was N5240-60045</i>	1	IF multiplexer board
A21	5087-7711	1	LO Multiplier/amplifier 26.5 HMA26.5)
A22	5087-7139 <i>5087-6139</i>	1	Splitter
A23 A24	5087-7722 <i>Was 5087-7308</i>	2	Mixer brick
A25 A26 A27 A28	5087-7315	4	Test port 1 bridge Test port 3 bridge Test port 4 bridge Test port 2 bridge
A29 A30 A31 A32	5087-7710	4	Test port 1 coupler Test port 3 coupler Test port 4 coupler Test port 2 coupler
A33	N5240-60048	1	Reference mixer switch
A34 A35 A36 A37	33321-60070	4	Test port 1 source attenuator Test port 3 source attenuator Test port 4 source attenuator Test port 2 source attenuator
A38 A39 A40 A41	5087-7781 <i>Was 5087-7239</i>	4	Test port 1 bias tee (includes wire harness) Test port 3 bias tee (includes wire harness) Test port 4 bias tee (includes wire harness) Test port 2 bias tee (includes wire harness)
A42 A43 A44 A45	33321-60066	4	Port 1 receiver attenuator Port 3 receiver attenuator Port 4 receiver attenuator Port 2 receiver attenuator
①	N5240-60058 <i>Was N5240-60051</i>	2	Front panel LED board

a. Part numbers in *italic* typeface are for rebuilt exchange assemblies. Refer to [“Rebuilt-Exchange Assemblies”](#) on page 6-5.

Figure 6-36 Bottom Assemblies, 4-Port, Options 400/419



(Some parts removed for clarity.)

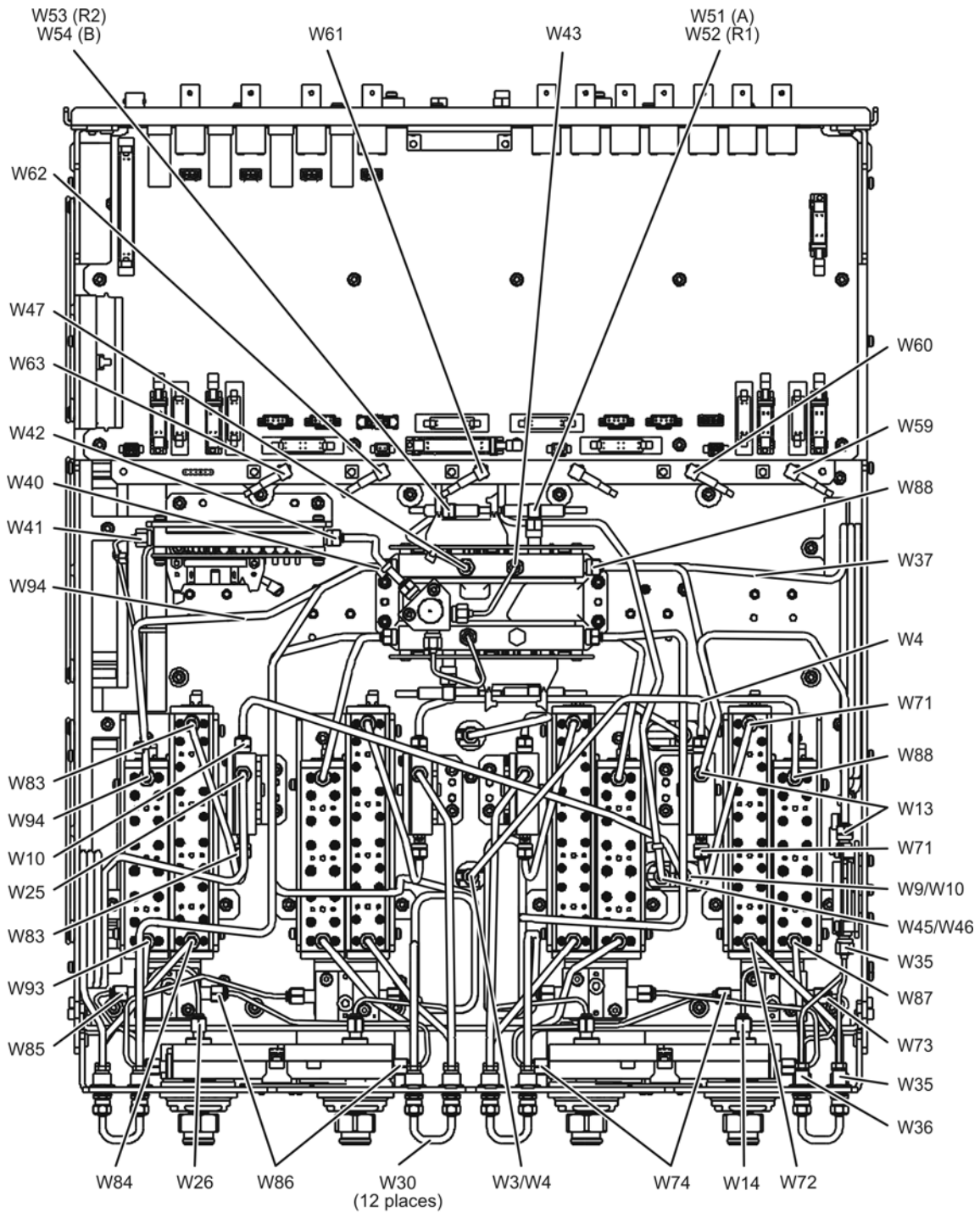
n5242_001_654

Bottom RF Cables, 4-Port, Options 400/419 (Ports 1 and 2)

Reference Designator	Type ^a	Part Number	Qty	Description
W3	SR	N5242-20091	1	A5 source (1) to W4
W4	SR	N5242-20050	1	W3 to A25 port 1 bridge
W9	SR	N5242-20092	1	A5 source (1) to W10
W10	SR	N5242-20053	1	W9 to A28 port 2 bridge
W13	SR	N5242-20011	1	A25 port 1 bridge to A33 reference mixer switch
W14	SR	N5242-20040	1	A29 port 1 coupler to front-panel Port 1 CPLR ARM
W25	SR	N5242-20048	1	A28 port 2 bridge to front-panel REF 2 SOURCE OUT
W26	SR	N5242-20044	1	A32 port 2 coupler to front-panel Port 2 CPLR ARM
W30	SR	E8356-20072	12	Front panel jumper
W35	SR	N5242-20043	1	A33 reference mixer switch to front-panel REF 1 SOURCE OUT
W36	SR	N5242-20042	1	REF 1 RCVR R1 IN to A33 reference mixer switch
W37	SR	N5242-20009	1	A33 reference mixer switch to A23 mixer brick (R1)
W40	SR	N5242-20049	1	REF 2 RCVR R2 IN to A23 mixer brick (R2)
W41	SR	N5242-20110	1	A11 13.5 GHz synthesizer to A21 HMA26.5
W42	SR	N5242-20015	1	A21 HMA26.5 to A22 splitter
W43	SR	N5242-20013	1	A22 splitter to A23 mixer brick
W45	SR	N5242-20093	1	A5 source (1) to W46
W46	SR	N5242-20090	1	W45 to rear-panel EXT TSET DRIVE RF OUT (J6)
W47	SR	N5242-20089	1	A23 mixer brick to EXT TSET DRIVE LO OUT (J5)
W51	F	N5242-60017	1	A23 mixer brick (A) to A20 IF multiplexer (P1)
W52	F	N5242-60021	1	A23 mixer brick (R1) to A20 IF multiplexer (P411)
W53	F	N5242-60022	1	A23 mixer brick (R2) to A20 IF multiplexer (P412)
W54	F	N5242-60018	1	A23 mixer brick (B) to A20 IF multiplexer (P201)
W59	F	N5242-60012	1	A20 IF multiplexer (P3) to A12 SPAM (J1)
W60	F	N5242-60013	1	A20 IF multiplexer (P203) to A12 SPAM (J2)
W61	F	N5242-60014	1	A20 IF multiplexer (P403) to A12 SPAM (J4)
W62	F	N5242-60015	1	A20 IF multiplexer (P603) to A12 SPAM (J5)
W63	F	N5242-60016	1	A20 IF multiplexer (P803) to A12 SPAM (J6)
W71	SR	N5242-20005	1	A25 port 1 bridge to A34 port 1 source attenuator
W72	SR	N5242-20038	1	A34 port 1 source attenuator to front-panel Port 1 SOURCE OUT
W73	SR	N5242-20039	1	Port 1 CPLR THRU to A38 port 1 bias tee
W74	SR	N5242-20022	1	A38 port 1 bias tee to A29 port 1 coupler
W83	SR	N5242-20002	1	A28 port 2 bridge to A37 port 2 source attenuator
W84	SR	N5242-20046	1	A37 port 2 source attenuator to front-panel Port 2 SOURCE OUT
W85	SR	N5242-20045	1	Port 2 CPLR THRU to A41 port 2 bias tee
W86	SR	N5242-20023	1	A41 port 2 bias tee to A32 port 2 coupler
W87	SR	N5242-20041	1	Port 1 RCVR A IN to A42 port 1 receiver attenuator
W88	SR	N5242-20010	1	A42 port 1 receiver attenuator to A23 mixer brick (A)
W93	SR	N5242-20047	1	Port 2 RCVR B IN to A45 port 2 receiver attenuator
W94	SR	N5242-20016	1	A45 port 2 receiver attenuator to A23 mixer brick (B)

a. SR = semirigid coaxial cable; F = flexible coaxial cable

Figure 6-37 Bottom RF Cables, 4-Port, Options 400/419



(Some parts removed for clarity.)

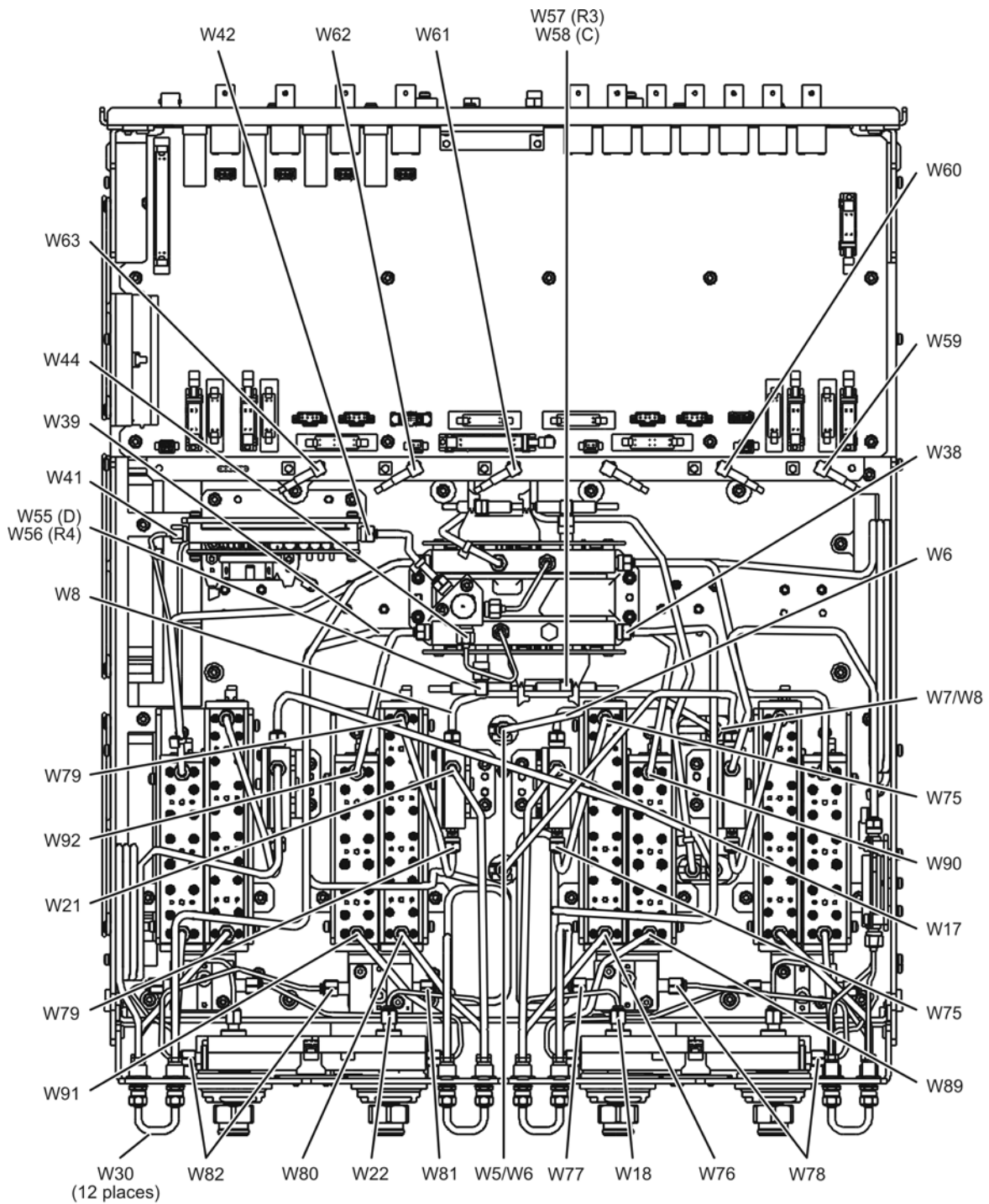
n5242_001_617-1

Bottom RF Cables, 4-Port, Options 400/419 (Ports 3 and 4)

Reference Designator	Type ^a	Part Number	Qty	Description
W5	SR	N5242-20091	1	A8 source (2) to W6
W6	SR	N5242-20051	1	W5 to A26 port 3 bridge
W7	SR	N5242-20092	1	A8 source (2) to W8
W8	SR	N5242-20052	1	W7 to A27 port 4 bridge
W17	SR	N5242-20033	1	A26 port 3 bridge to front-panel REF 3 SOURCE OUT
W18	SR	N5242-20025	1	A30 port 3 coupler to front-panel Port 3 CPLR ARM
W21	SR	N5242-20035	1	A27 port 4 bridge to front-panel REF 4 SOURCE OUT
W22	SR	N5242-20028	1	A31 port 4 coupler to front-panel Port 4 CPLR ARM
W30	SR	E8356-20072	12	Front panel jumper
W38	SR	N5242-20034	1	REF 3 RCVR R3 IN to A24 mixer brick (R3)
W39	SR	N5242-20037	1	REF 4 RCVR R4 IN to A24 mixer brick (R4)
W41	SR	N5242-20110	1	A11 13.5 GHz synthesizer to A21 HMA26.5
W42	SR	N5242-20015	1	A21 HMA26.5 to A22 splitter
W44	SR	N5242-20014	1	A22 splitter to A24 mixer brick
W55	F	N5242-60024	1	A24 mixer brick (D) to A20 IF multiplexer (P801)
W56	F	N5242-60019	1	A24 mixer brick (R4) to A20 IF multiplexer (P414)
W57	F	N5242-60020	1	A24 mixer brick (R3) to A20 IF multiplexer (P413)
W58	F	N5242-60023	1	A24 mixer brick (C) to A20 IF multiplexer (P601)
W59	F	N5242-60012	1	A20 IF multiplexer (P3) to A12 SPAM (J1)
W60	F	N5242-60013	1	A20 IF multiplexer (P203) to A12 SPAM (J2)
W61	F	N5242-60014	1	A20 IF multiplexer (P403) to A12 SPAM (J4)
W62	F	N5242-60015	1	A20 IF multiplexer (P603) to A12 SPAM (J5)
W63	F	N5242-60016	1	A20 IF multiplexer (P803) to A12 SPAM (J6)
W75	SR	N5242-20005	1	A26 port 3 bridge to A35 port 3 source attenuator
W76	SR	N5242-20029	1	A35 port 3 source attenuator to front-panel Port 3 SOURCE OUT
W77	SR	N5242-20026	1	Port 3 CPLR THRU to A39 port 3 bias tee
W78	SR	N5242-20021	1	A39 port 3 bias tee to A30 port 3 coupler
W79	SR	N5242-20002	1	A27 port 4 bridge to A36 port 4 source attenuator
W80	SR	N5242-20030	1	A36 port 4 source attenuator to front-panel Port 4 SOURCE OUT
W81	SR	N5242-20027	1	Port 4 CPLR THRU to A40 port 4 bias tee
W82	SR	N5242-20024	1	A40 port 4 bias tee to A31 port 4 coupler
W89	SR	N5242-20031	1	Port 3 RCVR C IN to A43 port 3 receiver attenuator
W90	SR	N5242-20012	1	A43 port 3 receiver attenuator to A24 mixer brick (C)
W91	SR	N5242-20032	1	Port 4 RCVR D IN to A44 port 4 receiver attenuator
W92	SR	N5242-20036	1	A44 port 4 receiver attenuator to A24 mixer brick (D)

a. SR = semirigid coaxial cable; F = flexible coaxial cable

Figure 6-38 Bottom RF Cables, 4-Port, Options 400/419 (Ports 3 and 4)



(Some parts removed for clarity.)

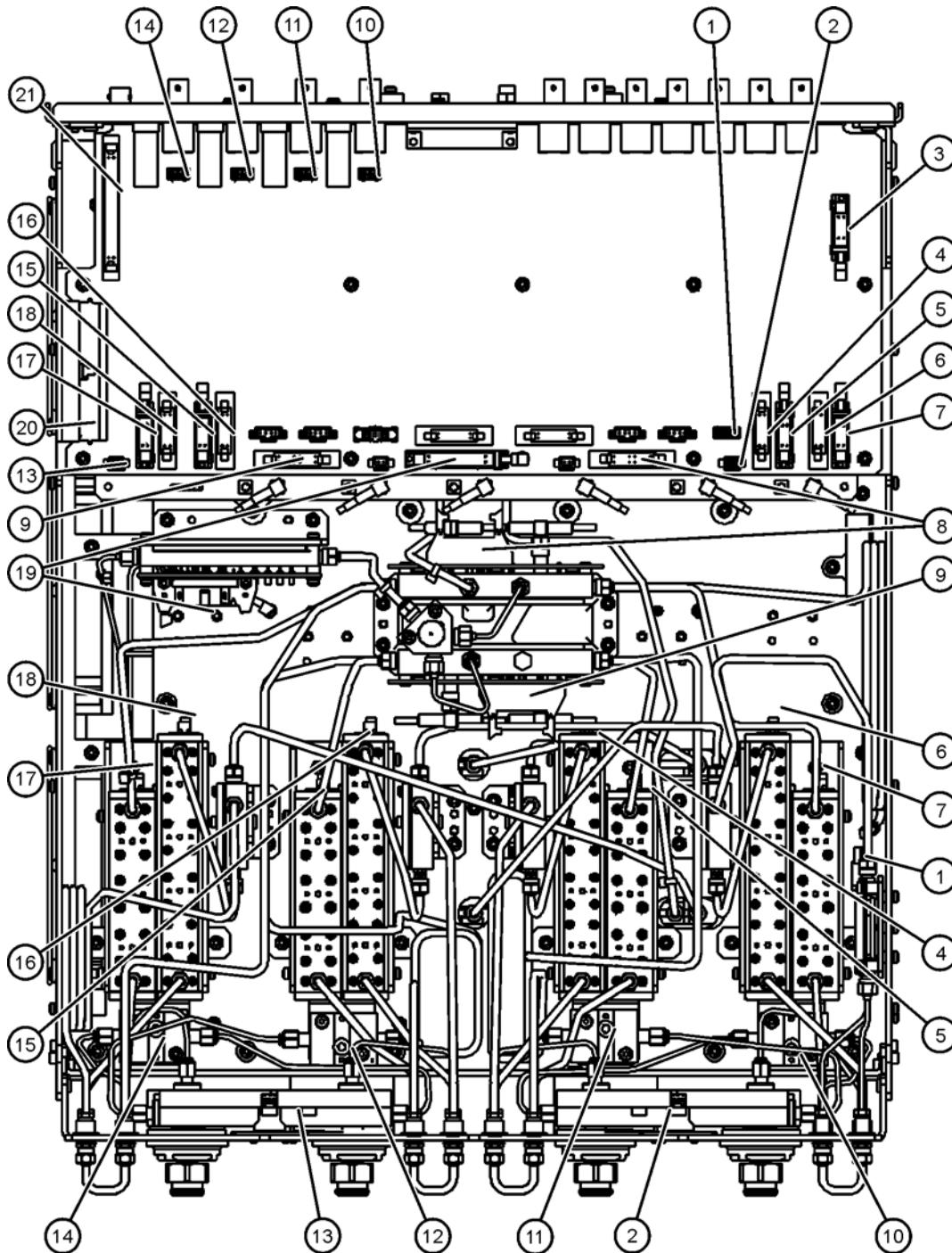
n5242_001_617-2

Bottom Ribbon Cables and Wire Harnesses, 4-Port, Options 400/419

Reference Designator	Type ^a	Part Number	Description
①	4W	N5242-60002	A19 test set motherboard J3 to A33 reference mixer switch
②	3W	N5242-60009	A19 test set motherboard J221 to ports 1/3 LED board J1
③	10R	N5242-60005	Rear-panel PWR I/O to A19 test set motherboard J301
④	14R	N5242-60008	A19 test set motherboard J202 to A35 port 3 source attenuator
⑤	10R	N5242-60007	A19 test set motherboard J206 to A43 port 3 receiver attenuator
⑥	14R	N5242-60008	A19 test set motherboard J201 to A34 port 1 source attenuator
⑦	10R	N5242-60007	A19 test set motherboard J205 to A42 port 1 receiver attenuator
⑧	16R	N5242-60006	A19 test set motherboard J212 to A23 mixer brick (1)
⑨	16R	N5242-60006	A19 test set motherboard J213 to A24 mixer brick (2)
⑩	2W	--	A19 test set motherboard J541 to A38 port 1 bias tee
⑪	2W	--	A19 test set motherboard J542 to A39 port 3 bias tee
⑫	2W	--	A19 test set motherboard J543 to A40 port 4 bias tee
⑬	3W	N5242-60009	A19 test set motherboard J222 to ports 2/4 LED board J1
⑭	2W	--	A19 test set motherboard J544 to A41 port 2 bias tee
⑮	10R	N5242-60007	A19 test set motherboard J207 to A44 port 4 receiver attenuator
⑯	14R	N5242-60008	A19 test set motherboard J203 to A36 port 4 source attenuator
⑰	10R	N5242-60007	A19 test set motherboard J208 to A45 port 2 receiver attenuator
⑱	14R	N5242-60008	A19 test set motherboard J204 to A37 port 2 source attenuator
⑲	24R	N5242-60011	A19 test set motherboard J209 to A21 HMA26.5
⑳	100R	N5242-60004	A14 system motherboard J1 to A19 test set motherboard J1 to A20 IF multiplexer board J1
㉑	36R	8121-0834	Rear-panel HANDLER I/O to A19 test set motherboard J400

a. nR = n wires in a ribbon (flat) cable; nW = n wires in a wire harness

Figure 6-39 Bottom Ribbon Cables and Wire Harnesses, 4-Port, Options 400/419



(Some parts removed for clarity.)

n5242_001_655

4-Port Configuration, Options 400/419/029

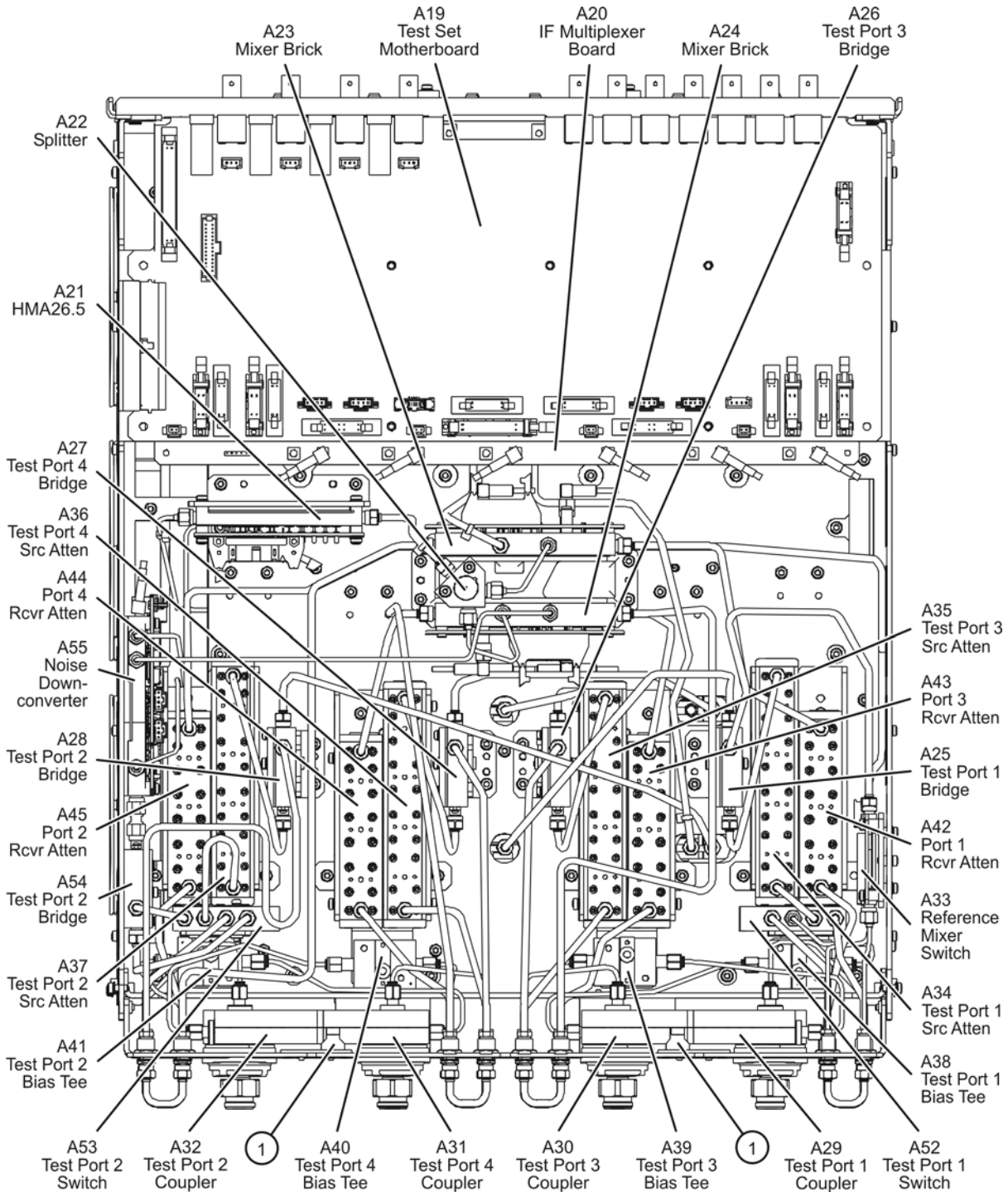
Bottom Assemblies, 4-Port, Options 400/419/029

Reference Designator	Part Number ^a	Qty	Description
A19	N5245-60003 was N5240-60043	1	Test set motherboard
A20	N5240-60062 Was N5240-60045	1	IF multiplexer board
A21	5087-7711	1	LO Multiplier/amplifier 26.5 HMA26.5)
A22	5087-7139 5087-6139	1	Splitter
A23 A24	5087-7722 was 5087-7308	2	Mixer brick
A25 A26 A27 A28	5087-7315	4	Test port 1 bridge Test port 3 bridge Test port 4 bridge Test port 2 bridge
A29 A30 A31 A32	5087-7710	4	Test port 1 coupler Test port 3 coupler Test port 4 coupler Test port 2 coupler
A33	N5240-60048	1	Reference mixer switch
A34 A35 A36 A37	33321-60070	4	Test port 1 source attenuator Test port 3 source attenuator Test port 4 source attenuator Test port 2 source attenuator
A38 A39 A40 A41	5087-7781 Was 5087-7239	4	Test port 1 bias tee (includes wire harness) Test port 3 bias tee (includes wire harness) Test port 4 bias tee (includes wire harness) Test port 2 bias tee (includes wire harness)
A42 A43 A44 A45	33321-60066	4	Port 1 receiver attenuator Port 3 receiver attenuator Port 4 receiver attenuator Port 2 receiver attenuator
A52	N1811-60030 Was N1811-60008	1	Test port 1 noise bypass switch (Option 029 only)
A53	N1811-60028 Was N1811-60006	1	Test port 2 noise bypass switch (Option 029 only)
A54	5087-7729 Was 5087-7315	1	Test port 2 bridge (Option 029 only)
A55	5087-7767 Was 5087-7316	1	Noise downconverter (Option 029 only)

Reference Designator	Part Number ^a	Qty	Description
①	N5240-60058 Was N5240-60051	2	Front panel LED board

a. Part numbers in *italic* typeface are for rebuilt exchange assemblies. Refer to ["Rebuilt-Exchange Assemblies"](#) on page 6-5.

Figure 6-40 Bottom Assemblies, 4-Port, Options 400/419/029



(Some parts removed for clarity.)

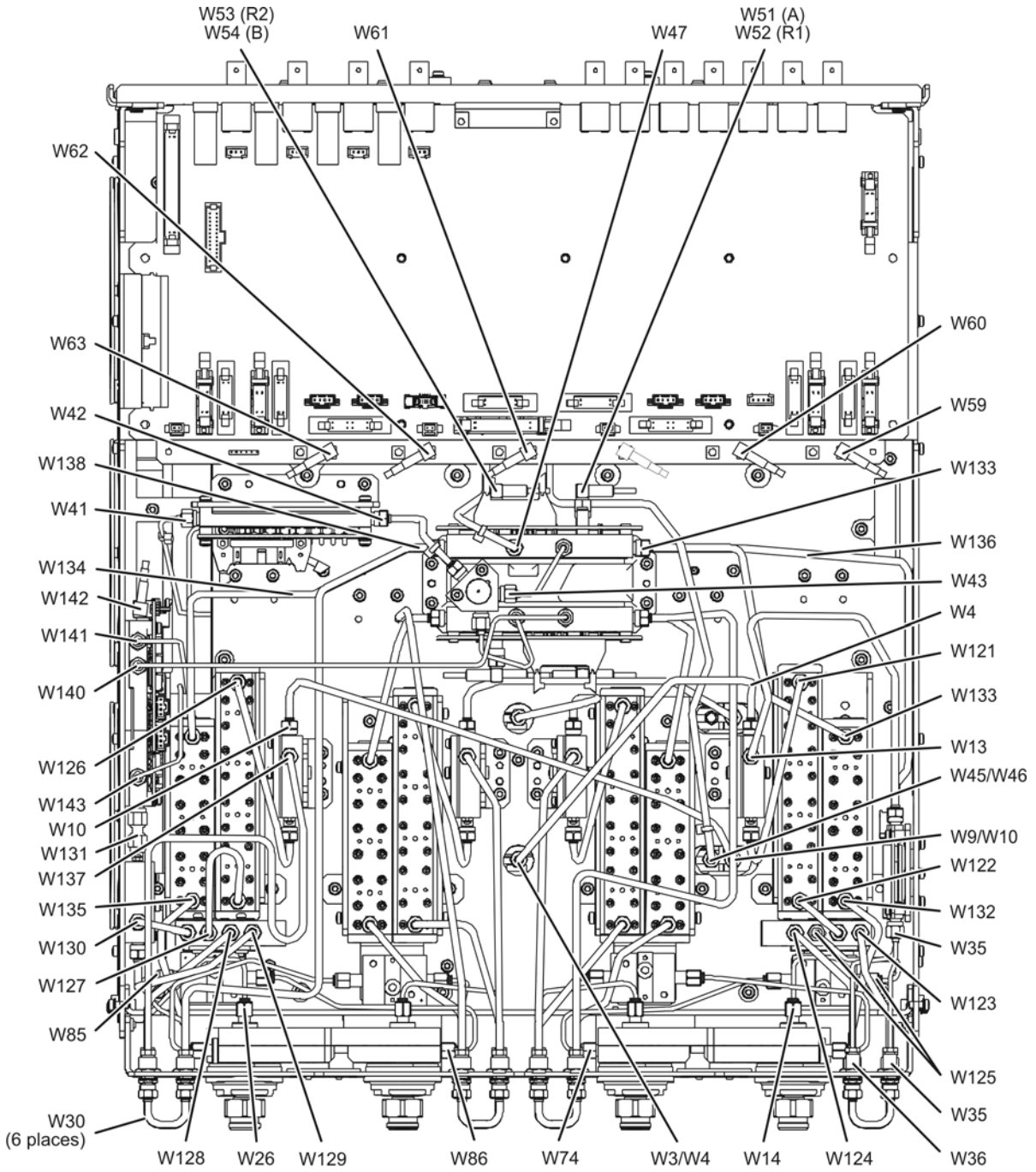
n5242_001_631

Bottom RF Cables, 4-Port, Options 400/419/029 (Ports 1 and 2)

Reference Designator	Type ^a	Part Number	Qty	Description
W3	SR	N5242-20091	1	A5 source (1) to W4
W4	SR	N5242-20050	1	W3 to A25 port 1 bridge
W9	SR	N5242-20092	1	A5 source (1) to W10
W10	SR	N5242-20053	1	W9 to A28 port 2 bridge
W13	SR	N5242-20011	1	A25 port 1 bridge to A33 reference mixer switch
W14	SR	N5242-20040	1	A29 port 1 coupler to front-panel Port 1 CPLR ARM
W26	SR	N5242-20044	1	A32 port 2 coupler to front-panel Port 2 CPLR ARM
W30	SR	E8356-20072	12	Front panel jumper
W35	SR	N5242-20043	1	A33 reference mixer switch to front-panel REF 1 SOURCE OUT
W36	SR	N5242-20042	1	Front-panel REF 1 RCVR R1 IN to A33 reference mixer switch
W41	SR	N5242-20110	1	A11 13.5 GHz synthesizer to A21 HMA26.5
W42	SR	N5242-20015	1	A21 HMA26.5 to A22 splitter
W43	SR	N5242-20013	1	A22 splitter to A23 mixer brick
W45	SR	N5242-20093	1	A5 source (1) to W46
W46	SR	N5242-20090	1	W46 to rear-panel EXT TSET DRIVE RF OUT (J6)
W47	SR	N5242-20089	1	A23 mixer brick to rear-panel EXT TSET DRIVE LO OUT (J5)
W51	F	N5242-60017	1	A23 mixer brick (A) to A20 IF multiplexer (P1)
W52	F	N5242-60021	1	A23 mixer brick (R1) to A20 IF multiplexer (P411)
W53	F	N5242-60022	1	A23 mixer brick (R2) to A20 IF multiplexer (P412)
W54	F	N5242-60018	1	A23 mixer brick (B) to A20 IF multiplexer (P201)
W59	F	N5242-60012	1	A20 IF multiplexer (P3) to A12 SPAM (J1)
W60	F	N5242-60013	1	A20 IF multiplexer (P203) to A12 SPAM (J2)
W61	F	N5242-60014	1	A20 IF multiplexer (P403) to A12 SPAM (J4)
W62	F	N5242-60015	1	A20 IF multiplexer (P603) to A12 SPAM (J5)
W63	F	N5242-60016	1	A20 IF multiplexer (P803) to A12 SPAM (J6)
W74	SR	N5242-20022	1	A38 port 1 bias tee to A29 port 1 coupler
W85	SR	N5242-20045	1	Front-panel Port 2 CPLR THRU to A41 port 2 bias tee
W86	SR	N5242-20023	1	A41 port 2 bias tee to A32 port 2 coupler
W121	SR	N5242-20067	1	A25 port 1 bridge to A34 port 1 source attenuator
W122	SR	N5242-20147 Was N5242-20128	1	A34 port 1 source attenuator to A52 port 1 noise bypass switch
W123	SR	N5242-20127	1	A52 port 1 noise bypass switch to front-panel Port 1 SOURCE OUT
W124	SR	N5242-20125	1	Front-panel Port 1 CPLR THRU to A52 port 1 bypass switch
W125	SR	N5242-20126	1	A52 port 1 bypass switch to A38 port 1 bias tee
W126	SR	N5242-20066	1	A28 port 2 bridge to A37 port 2 source attenuator
W127	SR	N5242-20116	1	A37 port 2 source attenuator to A53 port 2 noise bypass switch
W128	SR	N5242-20134	1	A53 port 2 noise bypass switch to front-panel Port 2 SOURCE OUT
W129	SR	N5242-20117	1	A53 port 2 noise bypass switch to A54 port 2 bridge
W130	SR	N5242-20148	1	A53 port 2 noise bypass switch to A54 port 2 bridge
W131	SR	1250-3576	1	Adapter, coax, straight, m-m, 50 ohm
W132	SR	N5242-20072	1	Front-panel Port 1 RCVR A IN to A42 port 1 receiver attenuator
W133	SR	N5242-20069	1	A42 port 1 receiver attenuator to A23 mixer brick (A)
W134	SR	N5242-20070	1	A45 port 2 receiver attenuator to A23 mixer brick (B)
W135	SR	N5242-20073	1	Front-panel Port 2 RCVR B IN to A45 port 2 receiver attenuator
W136	SR	N5242-20068	1	A33 reference mixer switch to A23 mixer brick (R1)
W137	SR	N5242-20074	1	A28 port 2 bridge to front-panel REF 2 SOURCE OUT
W138	SR	N5242-20075	1	Front-panel REF 2 RCVR R2 IN to A23 mixer brick (R2)
W140	SR	N5242-20118	1	A24 mixer brick to A55 noise downconverter
W141	SR	N5242-20129	1	A55 noise downconverter to A7 noise receiver board LO
W142	F	N5242-60041	1	A55 noise downconverter J4 to A7 noise receiver board J9
W143	SR	N5242-20130	1	A55 noise downconverter to A7 noise receiver board RF

a. SR = semirigid coaxial cable; F = flexible coaxial cable

Figure 6-41 Bottom RF Cables, 4-Port, Options 400/419/029 (Ports 1 and 2)



(Some parts removed for clarity.)

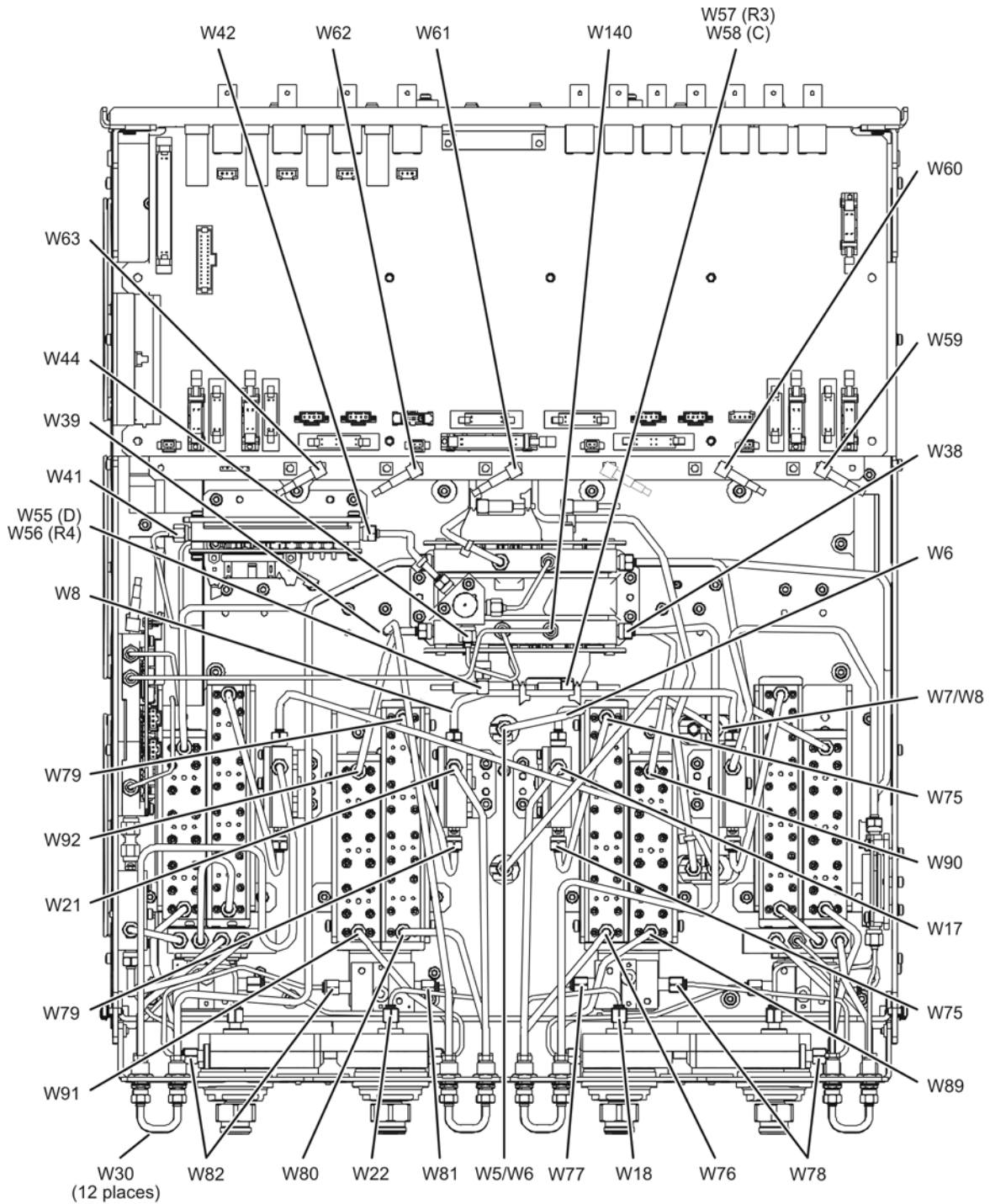
n5242_001_632

Bottom RF Cables, 4-Port, Options 400/419/029 (Ports 3 and 4)

Reference Designator	Type ^a	Part Number	Qty	Description
W5	SR	N5242-20091	1	A8 source (2) to W6
W6	SR	N5242-20051	1	W5 to A26 port 3 bridge
W7	SR	N5242-20092	1	A8 source (2) to W8
W8	SR	N5242-20052	1	W7 to A27 port 4 bridge
W17	SR	N5242-20033	1	A26 port 3 bridge to front-panel REF 3 SOURCE OUT
W18	SR	N5242-20025	1	A30 port 3 coupler to front-panel Port 3 CPLR ARM
W21	SR	N5242-20035	1	A27 port 4 bridge to front-panel REF 4 SOURCE OUT
W22	SR	N5242-20028	1	A31 port 4 coupler to front-panel Port 4 CPLR ARM
W30	SR	E8356-20072	12	Front panel jumper
W38	SR	N5242-20034	1	REF 3 RCVR R3 IN to A24 mixer brick (R3)
W39	SR	N5242-20037	1	REF 4 RCVR R4 IN to A24 mixer brick (R4)
W41	SR	N5242-20110	1	A11 13.5 GHz synthesizer to A21 HMA26.5
W42	SR	N5242-20015	1	A21 HMA26.5 to A22 splitter
W44	SR	N5242-20014	1	A22 splitter to A24 mixer brick
W55	F	N5242-60024	1	A24 mixer brick (D) to A20 IF multiplexer (P801)
W56	F	N5242-60019	1	A24 mixer brick (R4) to A20 IF multiplexer (P414)
W57	F	N5242-60020	1	A24 mixer brick (R3) to A20 IF multiplexer (P413)
W58	F	N5242-60023	1	A24 mixer brick (C) to A20 IF multiplexer (P601)
W59	F	N5242-60012	1	A20 IF multiplexer (P3) to A12 SPAM (J1)
W60	F	N5242-60013	1	A20 IF multiplexer (P203) to A12 SPAM (J2)
W61	F	N5242-60014	1	A20 IF multiplexer (P403) to A12 SPAM (J4)
W62	F	N5242-60015	1	A20 IF multiplexer (P603) to A12 SPAM (J5)
W63	F	N5242-60016	1	A20 IF multiplexer (P803) to A12 SPAM (J6)
W75	SR	N5242-20005	1	A26 port 3 bridge to A35 port 3 source attenuator
W76	SR	N5242-20029	1	A35 port 3 source attenuator to front-panel Port 3 SOURCE OUT
W77	SR	N5242-20026	1	Port 3 CPLR THRU to A39 port 3 bias tee
W78	SR	N5242-20021	1	A39 port 3 bias tee to A30 port 3 coupler
W79	SR	N5242-20002	1	A27 port 4 bridge to A36 port 4 source attenuator
W80	SR	N5242-20030	1	A36 port 4 source attenuator to front-panel Port 4 SOURCE OUT
W81	SR	N5242-20027	1	Port 4 CPLR THRU to A40 port 4 bias tee
W82	SR	N5242-20024	1	A40 port 4 bias tee to A31 port 4 coupler
W89	SR	N5242-20031	1	Port 3 RCVR C IN to A43 port 3 receiver attenuator
W90	SR	N5242-20012	1	A43 port 3 receiver attenuator to A24 mixer brick (C)
W91	SR	N5242-20032	1	Port 4 RCVR D IN to A44 port 4 receiver attenuator
W92	SR	N5242-20036	1	A44 port 4 receiver attenuator to A24 mixer brick (D)
W140	SR	N5242-20118	1	A24 mixer brick to A55 noise downconverter

a. SR = semirigid coaxial cable; F = flexible coaxial cable

Figure 6-42 Bottom RF Cables, 4-Port, Options 400/419/029 (Ports 3 and 4)



(Some parts removed for clarity.)

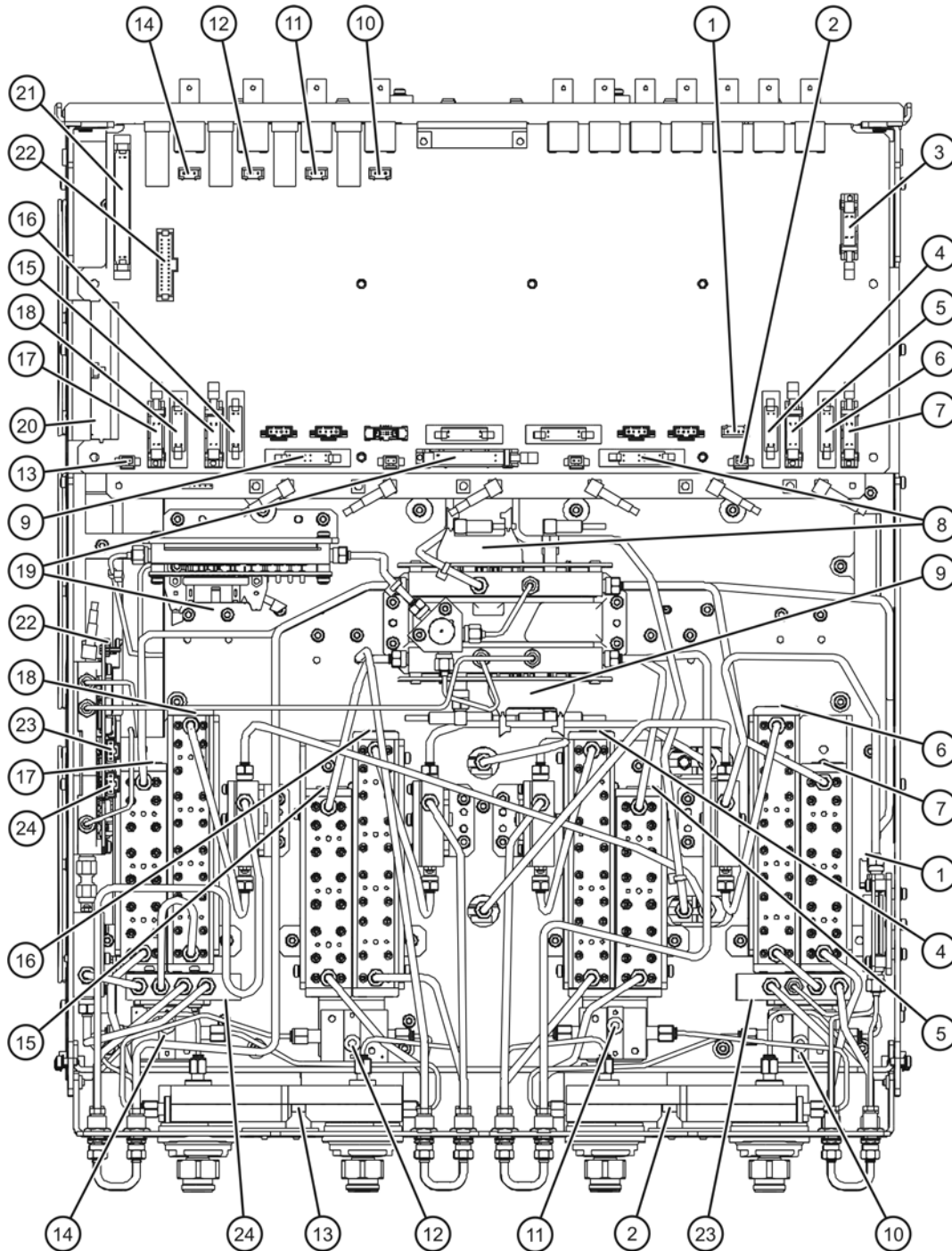
n5242_001_633

Bottom Ribbon Cables and Wire Harnesses, 4-Port, Options 400/419/029

Reference Designator	Type ^a	Part Number	Description
①	4W	N5242-60002	A19 test set motherboard J3 to A33 reference mixer switch
②	3W	N5242-60009	A19 test set motherboard J221 to ports 1/3 LED board J1
③	10R	N5242-60005	Rear-panel PWR I/O to A19 test set motherboard J301
④	14R	N5242-60008	A19 test set motherboard J202 to A35 port 3 source attenuator
⑤	10R	N5242-60007	A19 test set motherboard J206 to A43 port 3 receiver attenuator
⑥	14R	N5242-60008	A19 test set motherboard J201 to A34 port 1 source attenuator
⑦	10R	N5242-60007	A19 test set motherboard J205 to A42 port 1 receiver attenuator
⑧	16R	N5242-60006	A19 test set motherboard J212 to A23 mixer brick (1)
⑨	16R	N5242-60006	A19 test set motherboard J213 to A24 mixer brick (2)
⑩	2W	--	A19 test set motherboard J541 to A38 port 1 bias tee
⑪	2W	--	A19 test set motherboard J542 to A39 port 3 bias tee
⑫	2W	--	A19 test set motherboard J543 to A40 port 4 bias tee
⑬	3W	N5242-60009	A19 test set motherboard J222 to ports 2/4 LED board J1
⑭	2W	--	A19 test set motherboard J544 to A41 port 2 bias tee
⑮	10R	N5242-60007	A19 test set motherboard J207 to A44 port 4 receiver attenuator
⑯	14R	N5242-60008	A19 test set motherboard J203 to A36 port 4 source attenuator
⑰	10R	N5242-60007	A19 test set motherboard J208 to A45 port 2 receiver attenuator
⑱	14R	N5242-60008	A19 test set motherboard J204 to A37 port 2 source attenuator
⑲	24R	N5242-60011	A19 test set motherboard J209 to A21 HMA26.5
⑳	100R	N5242-60004	A14 system motherboard J1 to A19 test set motherboard J1 to A20 IF multiplexer board J1
㉑	36R	8121-0834	Rear-panel HANDLER I/O to A19 test set motherboard J400
㉒	30R	N5242-60033	A19 test set motherboard J548 to A55 noise downconverter J1
㉓	P/O A52 port 1 noise bypass switch. Refer to " Bottom Assemblies, 4-Port, Options 400/419 " on page 6-79.		
㉔	P/O A53 port 2 noise bypass switch. Refer to " Bottom Assemblies, 4-Port, Options 400/419 " on page 6-79.		

a. nR = n wires in a ribbon (flat) cable; nW = n wires in a wire harness

Figure 6-43 Bottom Ribbon Cables and Wire Harnesses, 4-Port, Options 400/419/029)



(Some parts removed for clarity.)

n5242_001_618

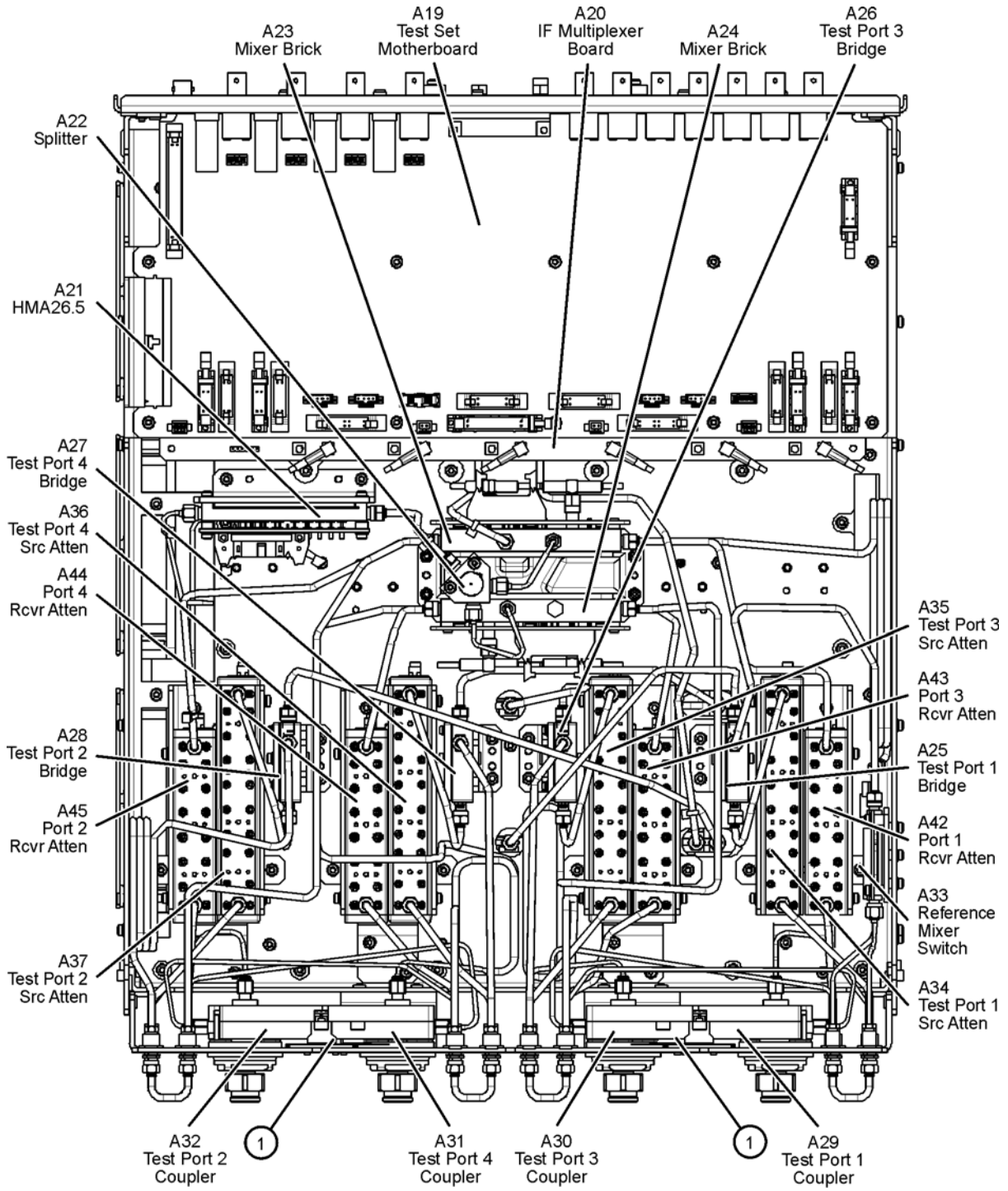
4-Port Configuration, Options 400/419/H85

Bottom Assemblies, 4-Port, Options 400/419/H85

Reference Designator	Part Number ^a	Qty	Description
A19	N5245-60003 was N5240-60043	1	Test set motherboard
A20	N5240-60062 Was N5240-60045	1	IF multiplexer board
A21	5087-7711	1	LO Multiplier/amplifier 26.5 (HMA26.5)
A22	5087-7139 5087-6139	1	Splitter
A23 A24	5087-7722 was 5087-7308	2	Mixer brick
A25 A26 A27 A28	5087-7315	4	Test port 1 bridge Test port 3 bridge Test port 4 bridge Test port 2 bridge
A29 A30 A31 A32	5087-7710	4	Test port 1 coupler Test port 3 coupler Test port 4 coupler Test port 2 coupler
A33	N5240-60048	1	Reference mixer switch
A34 A35 A36 A37	33321-60070	4	Test port 1 source attenuator Test port 3 source attenuator Test port 4 source attenuator Test port 2 source attenuator
A42 A43 A44 A45	33321-60066	4	Port 1 receiver attenuator Port 3 receiver attenuator Port 4 receiver attenuator Port 2 receiver attenuator
①	N5240-60058 Was N5240-60051	2	Front panel LED board

a. Part numbers in *italic* typeface are for rebuilt exchange assemblies. Refer to "Rebuilt-Exchange Assemblies" on page 6-5.

Figure 6-44 Bottom Assemblies, 4-Port, Options 400/419/H85



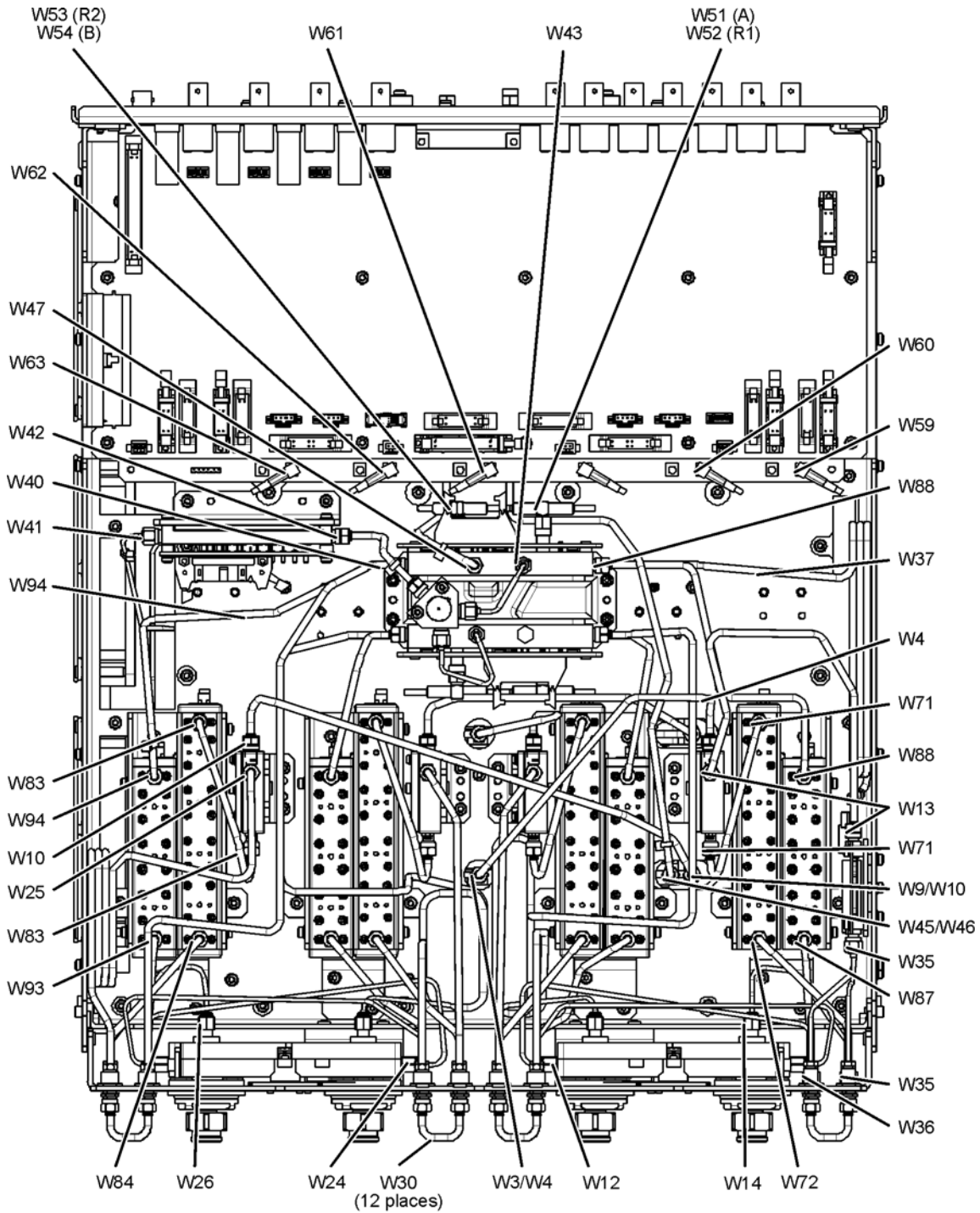
n5242_001_656

Bottom RF Cables, 4-Port, Options 400/419/H85 (Ports 1 and 2)

Reference Designator	Type ^a	Part Number	Qty	Description
W3	SR	N5242-20091	1	A5 source (1) to W4
W4	SR	N5242-20050	1	W3 to A25 port 1 bridge
W9	SR	N5242-20092	1	A5 source (1) to W10
W10	SR	N5242-20053	1	W9 to A28 port 2 bridge
W12	SR	N5242-20055	1	A29 port 1 coupler to front-panel Port 1 CPLR THRU
W13	SR	N5242-20011	1	A25 port 1 bridge to A33 reference mixer switch
W14	SR	N5242-20040	1	A29 port 1 coupler to front-panel Port 1 CPLR ARM
W24	SR	N5242-20063	1	A32 port 2 coupler to front-panel Port 2 CPLR THRU
W25	SR	N5242-20048	1	A28 port 2 bridge to front-panel REF 2 SOURCE OUT
W26	SR	N5242-20044	1	A32 port 2 coupler to front-panel Port 2 CPLR ARM
W30	SR	E8356-20072	12	Front panel jumper
W35	SR	N5242-20043	1	A33 reference mixer switch to front-panel REF 1 SOURCE OUT
W36	SR	N5242-20042	1	REF 1 RCVR R1 IN to A33 reference mixer switch
W37	SR	N5242-20009	1	A33 reference mixer switch to A23 mixer brick (R1)
W40	SR	N5242-20049	1	REF 2 RCVR R2 IN to A23 mixer brick (R2)
W41	SR	N5242-20110	1	A11 13.5 GHz synthesizer to A21 HMA26.5
W42	SR	N5242-20015	1	A21 HMA26.5 to A22 splitter
W43	SR	N5242-20013	1	A22 splitter to A23 mixer brick
W45	SR	N5242-20093	1	A5 source (1) to W46
W46	SR	N5242-20090	1	W45 to rear-panel EXT TSET DRIVE RF OUT (J6)
W47	SR	N5242-20089	1	A23 mixer brick to EXT TSET DRIVE LO OUT (J5)
W51	F	N5242-60017	1	A23 mixer brick (A) to A20 IF multiplexer (P1)
W52	F	N5242-60021	1	A23 mixer brick (R1) to A20 IF multiplexer (P411)
W53	F	N5242-60022	1	A23 mixer brick (R2) to A20 IF multiplexer (P412)
W54	F	N5242-60018	1	A23 mixer brick (B) to A20 IF multiplexer (P201)
W59	F	N5242-60012	1	A20 IF multiplexer (P3) to A12 SPAM (J1)
W60	F	N5242-60013	1	A20 IF multiplexer (P203) to A12 SPAM (J2)
W61	F	N5242-60014	1	A20 IF multiplexer (P403) to A12 SPAM (J4)
W62	F	N5242-60015	1	A20 IF multiplexer (P603) to A12 SPAM (J5)
W63	F	N5242-60016	1	A20 IF multiplexer (P803) to A12 SPAM (J6)
W71	SR	N5242-20005	1	A25 port 1 bridge to A34 port 1 source attenuator
W72	SR	N5242-20038	1	A34 port 1 source attenuator to front-panel Port 1 SOURCE OUT
W83	SR	N5242-20002	1	A28 port 2 bridge to A37 port 2 source attenuator
W84	SR	N5242-20046	1	A37 port 2 source attenuator to front-panel Port 2 SOURCE OUT
W87	SR	N5242-20041	1	Port 1 RCVR A IN to A42 port 1 receiver attenuator
W88	SR	N5242-20010	1	A42 port 1 receiver attenuator to A23 mixer brick (A)
W93	SR	N5242-20047	1	Port 2 RCVR B IN to A45 port 2 receiver attenuator
W94	SR	N5242-20016	1	A45 port 2 receiver attenuator to A23 mixer brick (B)

a. SR = semirigid coaxial cable; F = flexible coaxial cable

Figure 6-45 Bottom RF Cables, 4-Port, Options 400/419/ H85 (Ports 1 and 2)



(Some parts removed for clarity.)

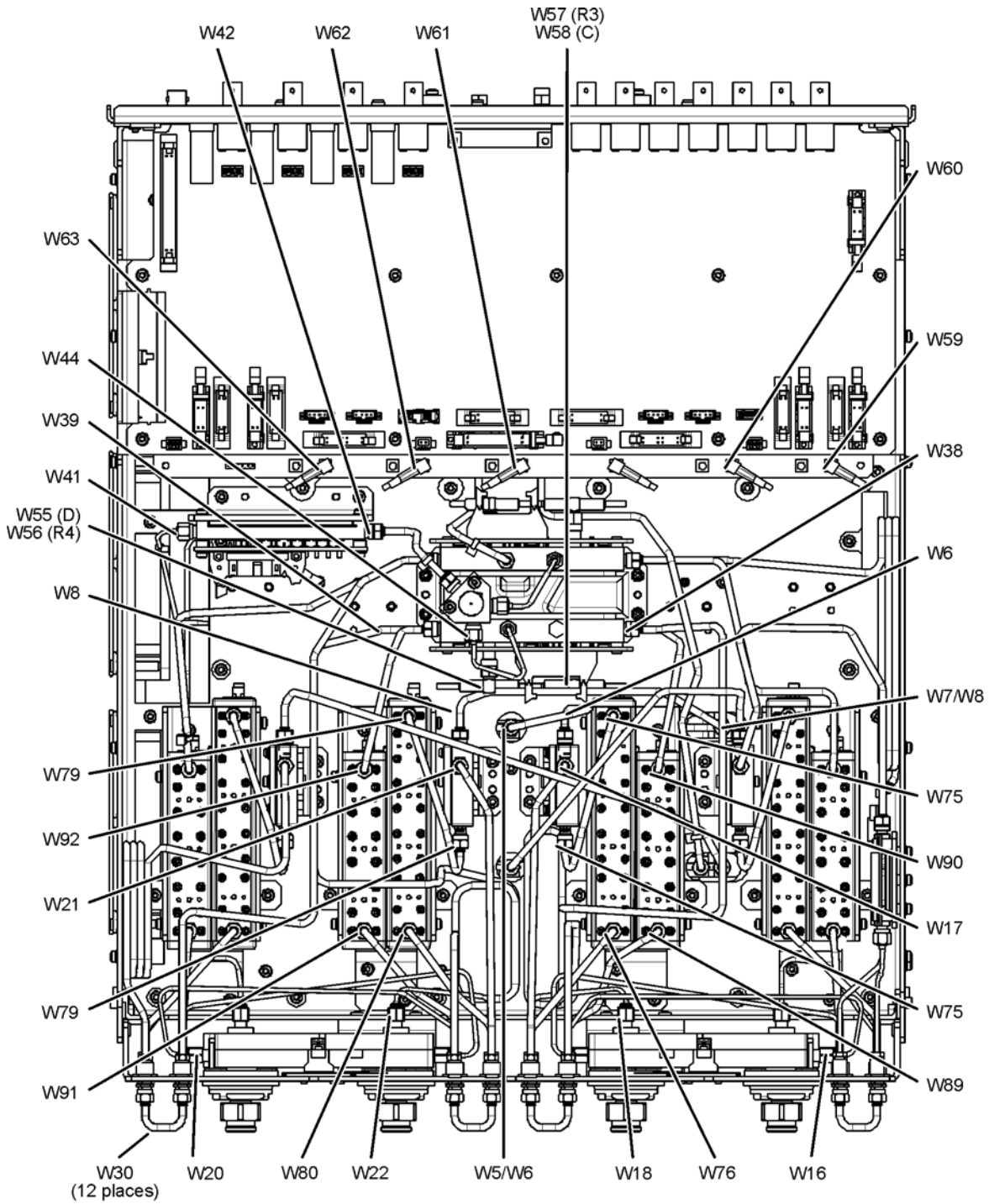
n5242_001_657

Bottom RF Cables, 4-Port, Options 400/419/H85 (Ports 3 and 4)

Reference Designator	Type ^a	Part Number	Qty	Description
W5	SR	N5242-20091	1	A8 source (2) to W6
W6	SR	N5242-20051	1	W5 to A26 port 3 bridge
W7	SR	N5242-20092	1	A8 source (2) to W8
W8	SR	N5242-20052	1	W7 to A27 port 4 bridge
W16	SR	N5242-20059	1	A30 port 3 coupler to front-panel Port 3 CPLR THRU
W17	SR	N5242-20033	1	A26 port 3 bridge to front-panel REF 3 SOURCE OUT
W18	SR	N5242-20025	1	A30 port 3 coupler to front-panel Port 3 CPLR ARM
W20	SR	N5242-20064	1	A31 port 4 coupler to front-panel Port 4 CPLR THRU
W21	SR	N5242-20035	1	A27 port 4 bridge to front-panel REF 4 SOURCE OUT
W22	SR	N5242-20028	1	A31 port 4 coupler to front-panel Port 4 CPLR ARM
W30	SR	E8356-20072	12	Front panel jumper
W38	SR	N5242-20034	1	REF 3 RCVR R3 IN to A24 mixer brick (R3)
W39	SR	N5242-20037	1	REF 4 RCVR R4 IN to A24 mixer brick (R4)
W41	SR	N5242-20110	1	A11 13.5 GHz synthesizer to A21 HMA26.5
W42	SR	N5242-20015	1	A21 HMA26.5 to A22 splitter
W44	SR	N5242-20014	1	A22 splitter to A24 mixer brick
W55	F	N5242-60024	1	A24 mixer brick (D) to A20 IF multiplexer (P801)
W56	F	N5242-60019	1	A24 mixer brick (R4) to A20 IF multiplexer (P414)
W57	F	N5242-60020	1	A24 mixer brick (R3) to A20 IF multiplexer (P413)
W58	F	N5242-60023	1	A24 mixer brick (C) to A20 IF multiplexer (P601)
W59	F	N5242-60012	1	A20 IF multiplexer (P3) to A12 SPAM (J1)
W60	F	N5242-60013	1	A20 IF multiplexer (P203) to A12 SPAM (J2)
W61	F	N5242-60014	1	A20 IF multiplexer (P403) to A12 SPAM (J4)
W62	F	N5242-60015	1	A20 IF multiplexer (P603) to A12 SPAM (J5)
W63	F	N5242-60016	1	A20 IF multiplexer (P803) to A12 SPAM (J6)
W75	SR	N5242-20005	1	A26 port 3 bridge to A35 port 3 source attenuator
W76	SR	N5242-20029	1	A35 port 3 source attenuator to front-panel Port 3 SOURCE OUT
W79	SR	N5242-20002	1	A27 port 4 bridge to A36 port 4 source attenuator
W80	SR	N5242-20030	1	A36 port 4 source attenuator to front-panel Port 4 SOURCE OUT
W89	SR	N5242-20031	1	Port 3 RCVR C IN to A43 port 3 receiver attenuator
W90	SR	N5242-20012	1	A43 port 3 receiver attenuator to A24 mixer brick (C)
W91	SR	N5242-20032	1	Port 4 RCVR D IN to A44 port 4 receiver attenuator
W92	SR	N5242-20036	1	A44 port 4 receiver attenuator to A24 mixer brick (D)

a. SR = semirigid coaxial cable; F = flexible coaxial cable

Figure 6-46 Bottom RF Cables, 4-Port, Options 400/419/H85 (Ports 3 and 4)



(Some parts removed for clarity.)

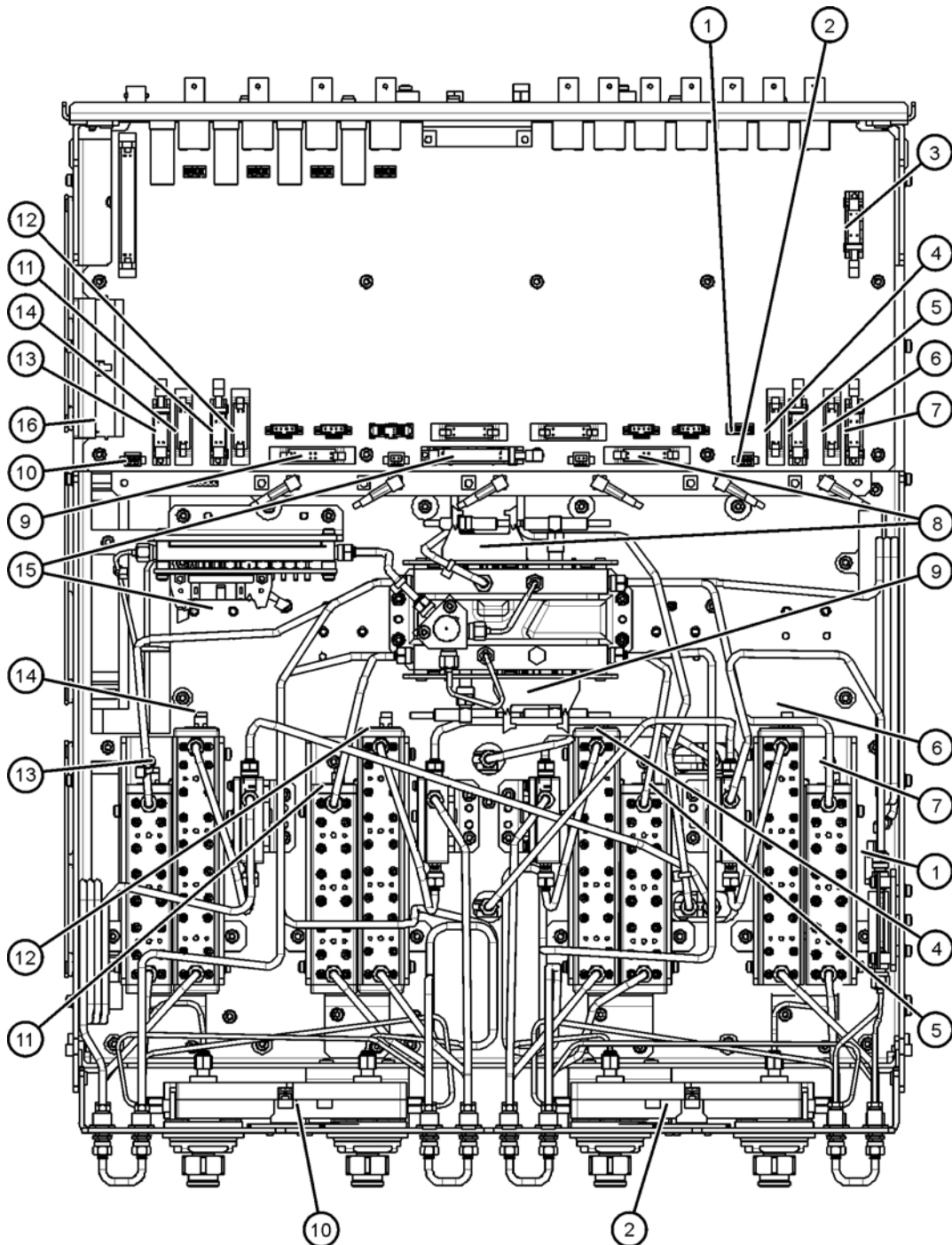
n5242_001_658

Bottom Ribbon Cables and Wire Harnesses, 4-Port, Options 400/419/H85

Reference Designator	Type ^a	Part Number	Description
①	4W	N5242-60002	A19 test set motherboard J3 to A33 reference mixer switch
②	3W	N5242-60009	A19 test set motherboard J221 to ports 1/3 LED board J1
③	10R	N5242-60005	Rear-panel PWR I/O to A19 test set motherboard J301
④	14R	N5242-60008	A19 test set motherboard J202 to A35 port 3 source attenuator
⑤	10R	N5242-60007	A19 test set motherboard J206 to A43 port 3 receiver attenuator
⑥	14R	N5242-60008	A19 test set motherboard J201 to A34 port 1 source attenuator
⑦	10R	N5242-60007	A19 test set motherboard J205 to A42 port 1 receiver attenuator
⑧	16R	N5242-60006	A19 test set motherboard J212 to A23 mixer brick (1)
⑨	16R	N5242-60006	A19 test set motherboard J213 to A24 mixer brick (2)
⑩	3W	N5242-60009	A19 test set motherboard J222 to ports 2/4 LED board J1
⑪	10R	N5242-60007	A19 test set motherboard J207 to A44 port 4 receiver attenuator
⑫	14R	N5242-60008	A19 test set motherboard J203 to A36 port 4 source attenuator
⑬	10R	N5242-60007	A19 test set motherboard J208 to A45 port 2 receiver attenuator
⑭	14R	N5242-60008	A19 test set motherboard J204 to A37 port 2 source attenuator
⑮	24R	N5242-60011	A19 test set motherboard J209 to A21 HMA26.5
⑯	100R	N5242-60004	A14 system motherboard J1 to A19 test set motherboard J1 to A20 IF multiplexer board J1
⑰	36R	8121-0834	Rear-panel HANDLER I/O to A19 test set motherboard J400

a. nR = n wires in a ribbon (flat) cable; nW = n wires in a wire harness

Figure 6-47 Bottom Ribbon Cables and Wire Harnesses, 4-Port, Options 400/419/H85



(Some parts removed for clarity.)

n5242_001_659

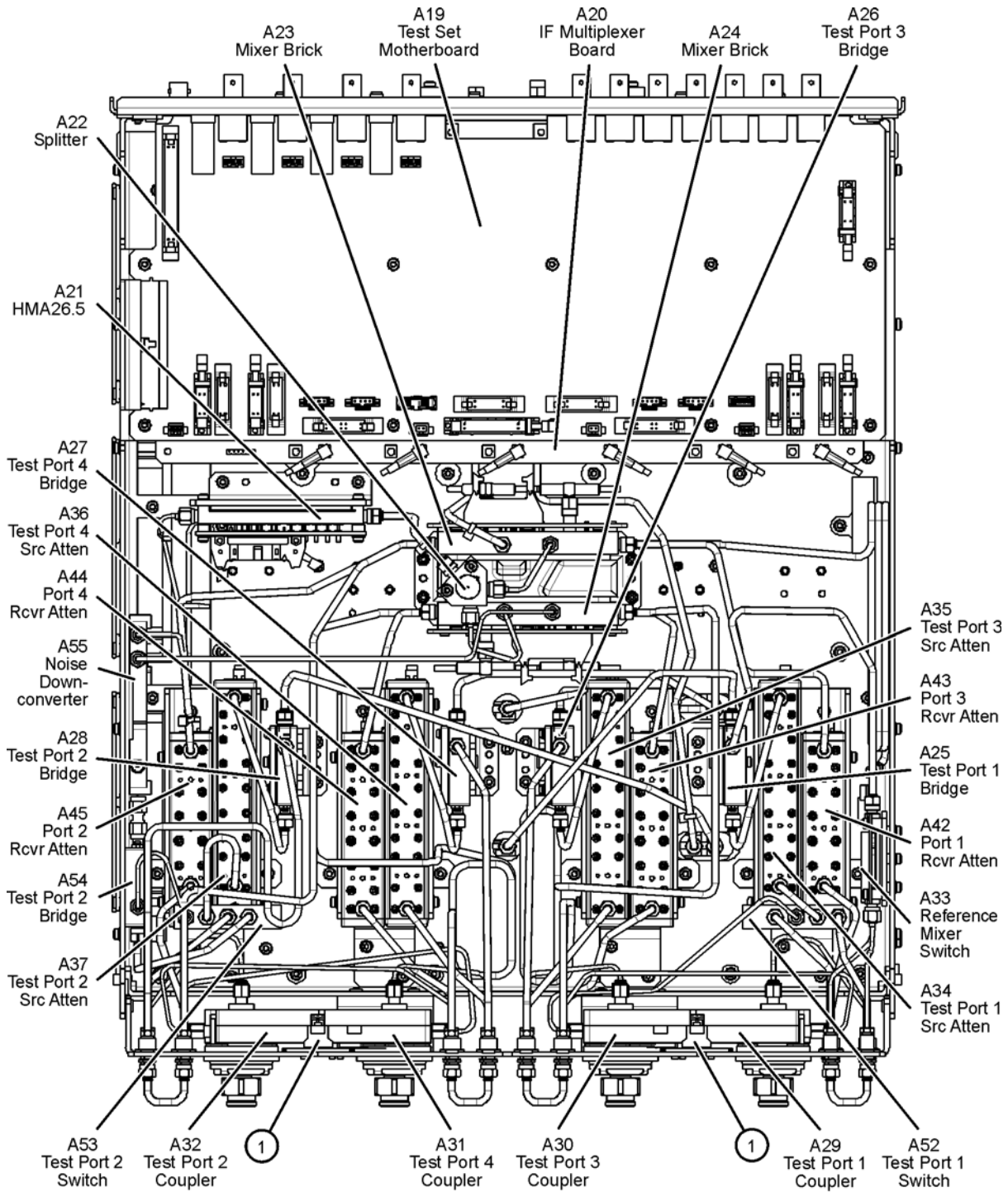
4-Port Configuration, Options 400/419/029/H85

Bottom Assemblies, 4-Port, Options 400/419/029/H85

Reference Designator	Part Number ^a	Qty	Description
A19	N5245-60003 was N5240-60043	1	Test set motherboard
A20	N5240-60062 Was N5240-60045	1	IF multiplexer board
A21	5087-7711	1	LO Multiplier/amplifier 26.5 HMA26.5)
A22	5087-7139 <i>5087-6139</i>	1	Splitter
A23 A24	5087-7722 was 5087-7308	2	Mixer brick
A25 A26 A27 A28	5087-7315	4	Test port 1 bridge Test port 3 bridge Test port 4 bridge Test port 2 bridge
A29 A30 A31 A32	5087-7710	4	Test port 1 coupler Test port 3 coupler Test port 4 coupler Test port 2 coupler
A33	N5240-60048	1	Reference mixer switch
A34 A35 A36 A37	33321-60070	4	Test port 1 source attenuator Test port 3 source attenuator Test port 4 source attenuator Test port 2 source attenuator
A42 A43 A44 A45	33321-60066	4	Port 1 receiver attenuator Port 3 receiver attenuator Port 4 receiver attenuator Port 2 receiver attenuator
A52	N1811-60030 Was N1811-60008	1	Test port 1 noise bypass switch (Option 029 only)
A53	N1811-60028 Was N1811-60006	1	Test port 2 noise bypass switch (Option 029 only)
A54	5087-7729 Was 5087-7315	1	Test port 2 bridge (Option 029 only)
A55	5087-7767 Was 5087-7316	1	Noise downconverter (Option 029 only)
①	N5240-60058 Was N5240-60051	2	Front panel LED board

a. Part numbers in *italic* typeface are for rebuilt exchange assemblies. Refer to "Rebuilt-Exchange Assemblies" on page 6-5.

Figure 6-48 Bottom Assemblies, 4-Port, Options 400/419/029/H85



(Some parts removed for clarity.)

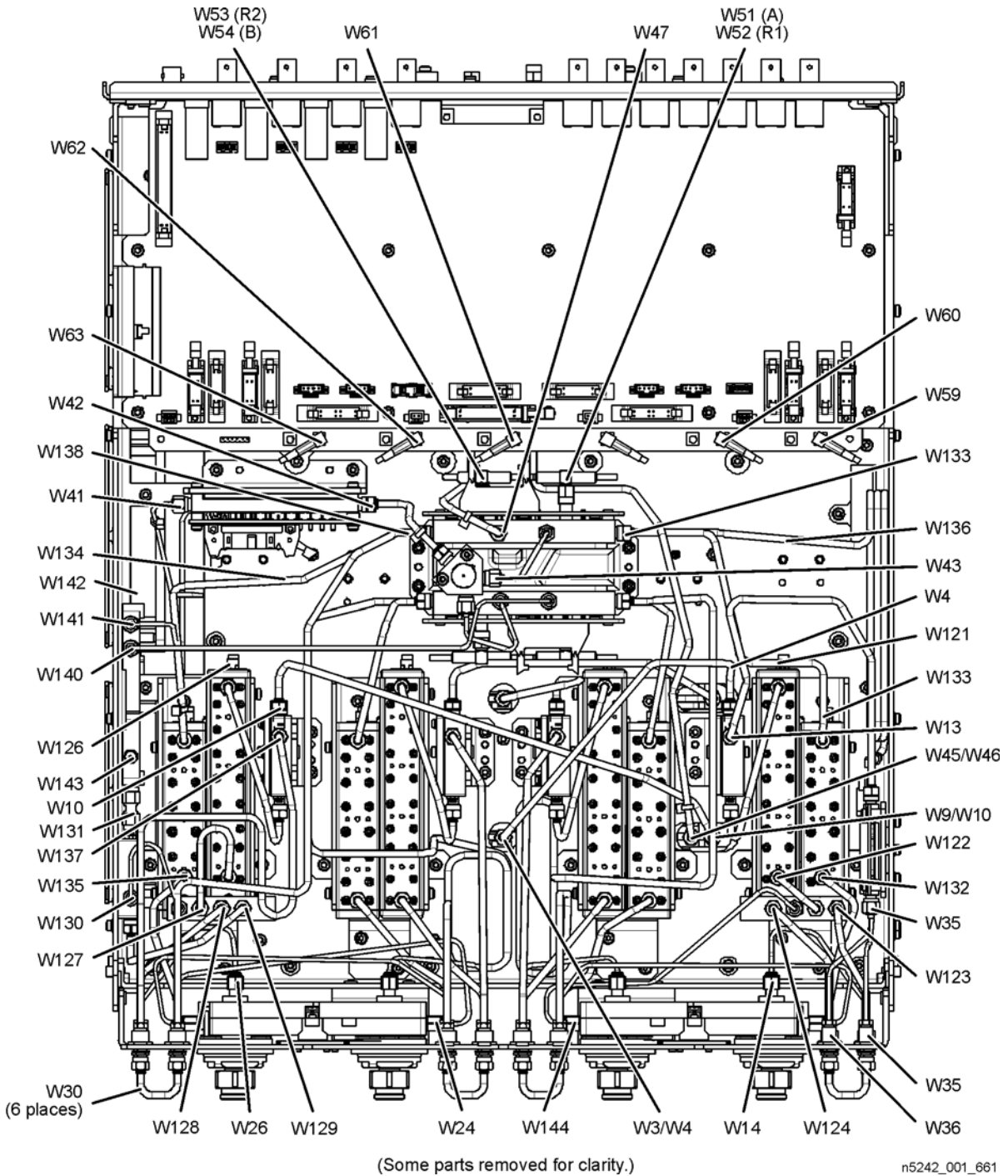
n5242_001_660

Bottom RF Cables, 4-Port, Options 400/419/029/H85 (Ports 1 and 2)

Reference Designator	Type ^a	Part Number	Qty	Description
W3	SR	N5242-20091	1	A5 source (1) to W4
W4	SR	N5242-20050	1	W3 to A25 port 1 bridge
W9	SR	N5242-20092	1	A5 source (1) to W10
W10	SR	N5242-20053	1	W9 to A28 port 2 bridge
W13	SR	N5242-20011	1	A25 port 1 bridge to A33 reference mixer switch
W14	SR	N5242-20040	1	A29 port 1 coupler to front-panel Port 1 CPLR ARM
W24	SR	N5242-20063	1	A32 port 2 coupler to front-panel Port 2 CPLR THRU
W26	SR	N5242-20044	1	A32 port 2 coupler to front-panel Port 2 CPLR ARM
W30	SR	E8356-20072	12	Front panel jumper
W35	SR	N5242-20043	1	A33 reference mixer switch to front-panel REF 1 SOURCE OUT
W36	SR	N5242-20042	1	Front-panel REF 1 RCVR R1 IN to A33 reference mixer switch
W41	SR	N5242-20110	1	A11 13.5 GHz synthesizer to A21 HMA26.5
W42	SR	N5242-20015	1	A21 HMA26.5 to A22 splitter
W43	SR	N5242-20013	1	A22 splitter to A23 mixer brick
W45	SR	N5242-20093	1	A5 source (1) to W46
W46	SR	N5242-20090	1	W46 to rear-panel EXT TSET DRIVE RF OUT (J6)
W47	SR	N5242-20089	1	A23 mixer brick to rear-panel EXT TSET DRIVE LO OUT (J5)
W51	F	N5242-60017	1	A23 mixer brick (A) to A20 IF multiplexer (P1)
W52	F	N5242-60021	1	A23 mixer brick (R1) to A20 IF multiplexer (P411)
W53	F	N5242-60022	1	A23 mixer brick (R2) to A20 IF multiplexer (P412)
W54	F	N5242-60018	1	A23 mixer brick (B) to A20 IF multiplexer (P201)
W59	F	N5242-60012	1	A20 IF multiplexer (P3) to A12 SPAM (J1)
W60	F	N5242-60013	1	A20 IF multiplexer (P203) to A12 SPAM (J2)
W61	F	N5242-60014	1	A20 IF multiplexer (P403) to A12 SPAM (J4)
W62	F	N5242-60015	1	A20 IF multiplexer (P603) to A12 SPAM (J5)
W63	F	N5242-60016	1	A20 IF multiplexer (P803) to A12 SPAM (J6)
W121	SR	N5242-20067	1	A25 port 1 bridge to A34 port 1 source attenuator
W122	SR	N5242-20147 Was N5242-20128	1	A34 port 1 source attenuator to A52 port 1 noise bypass switch
W123	SR	N5242-20127	1	A52 port 1 noise bypass switch to front-panel Port 1 SOURCE OUT
W124	SR	N5242-20125	1	Front-panel Port 1 CPLR THRU to A52 port 1 bypass switch
W126	SR	N5242-20066	1	A28 port 2 bridge to A37 port 2 source attenuator
W127	SR	N5242-20116	1	A37 port 2 source attenuator to A53 port 2 noise bypass switch
W128	SR	N5242-20134	1	A53 port 2 noise bypass switch to front-panel Port 2 SOURCE OUT
W129	SR	N5242-20117	1	A53 port 2 noise bypass switch to A54 port 2 bridge
W130	SR	N5242-20148	1	A53 port 2 noise bypass switch to A54 port 2 bridge
W131	SR	1250-3576	1	Adapter, coax, straight, m-m, 50 ohm
W132	SR	N5242-20072	1	Front-panel Port 1 RCVR A IN to A42 port 1 receiver attenuator
W133	SR	N5242-20069	1	A42 port 1 receiver attenuator to A23 mixer brick (A)
W134	SR	N5242-20070	1	A45 port 2 receiver attenuator to A23 mixer brick (B)
W135	SR	N5242-20073	1	Front-panel Port 2 RCVR B IN to A45 port 2 receiver attenuator
W136	SR	N5242-20068	1	A33 reference mixer switch to A23 mixer brick (R1)
W137	SR	N5242-20074	1	A28 port 2 bridge to front-panel REF 2 SOURCE OUT
W138	SR	N5242-20075	1	Front-panel REF 2 RCVR R2 IN to A23 mixer brick (R2)
W140	SR	N5242-20118	1	A24 mixer brick to A55 noise downconverter
W141	SR	N5242-20129	1	A55 noise downconverter to A7 noise receiver board LO
W142	F	N5242-60041	1	A55 noise downconverter J4 to A7 noise receiver board J9
W143	SR	N5242-20130	1	A55 noise downconverter to A7 noise receiver board RF
W144	SR	N5242-20144	1	A52 port 1 noise bypass switch to A29 port 1 coupler

a. SR = semirigid coaxial cable; F = flexible coaxial cable

Figure 6-49 Bottom RF Cables, 4-Port, Options 400/419/029/H85 (Ports 1 and 2)

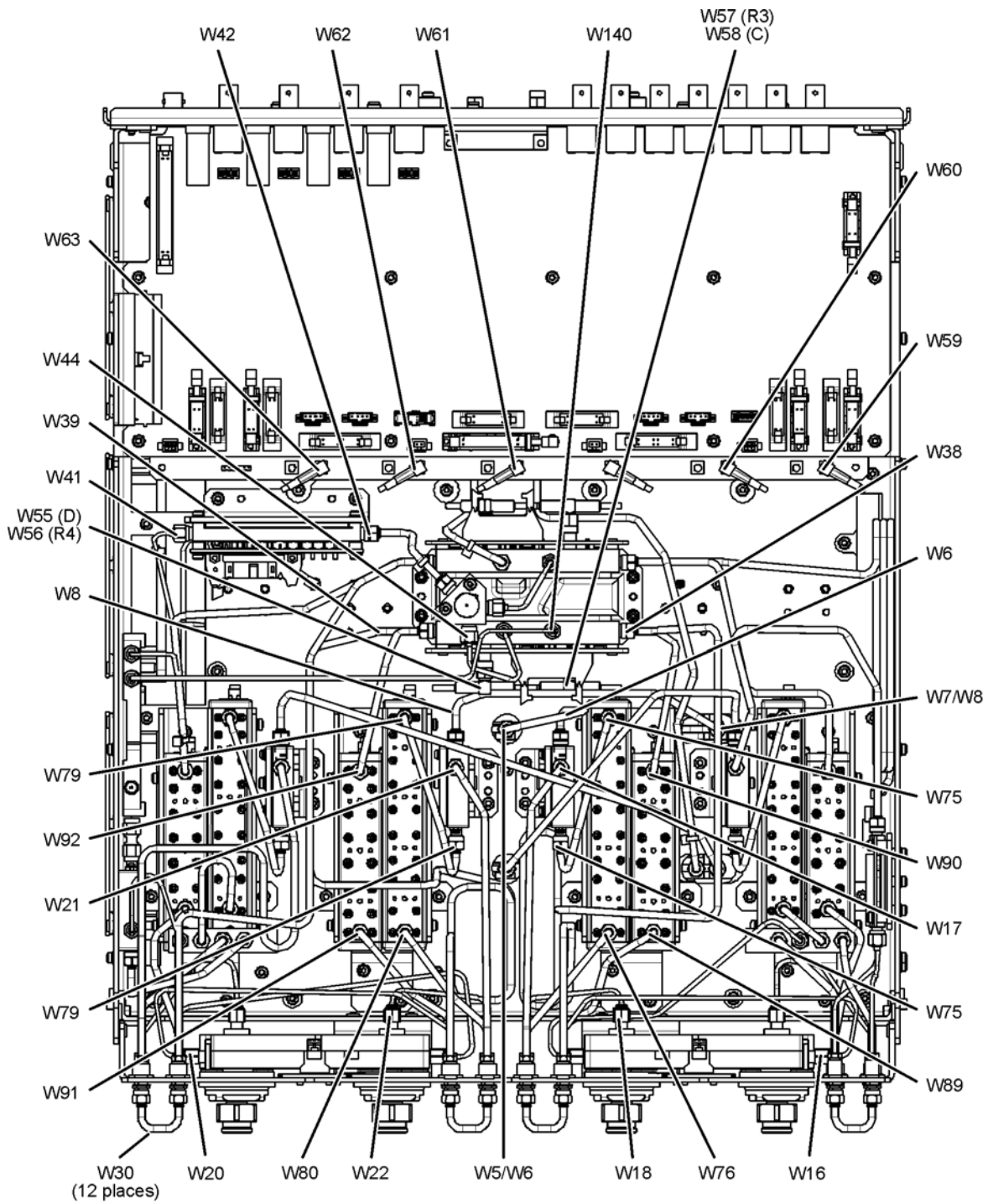


Bottom RF Cables, 4-Port, Options 400/419/029/H85 (Ports 3 and 4)

Reference Designator	Type ^a	Part Number	Qty	Description
W5	SR	N5242-20091	1	A8 source (2) to W6
W6	SR	N5242-20051	1	W5 to A26 port 3 bridge
W7	SR	N5242-20092	1	A8 source (2) to W8
W8	SR	N5242-20052	1	W7 to A27 port 4 bridge
W16	SR	N5242-20059	1	A30 port 3 coupler to front-panel port 3 CPLR THRU
W17	SR	N5242-20033	1	A26 port 3 bridge to front-panel REF 3 SOURCE OUT
W18	SR	N5242-20025	1	A30 port 3 coupler to front-panel Port 3 CPLR ARM
W20	SR	N5242-20064	1	A31 port 4 coupler to front-panel Port 4 CPLR THRU
W21	SR	N5242-20035	1	A27 port 4 bridge to front-panel REF 4 SOURCE OUT
W22	SR	N5242-20028	1	A31 port 4 coupler to front-panel Port 4 CPLR ARM
W30	SR	E8356-20072	12	Front panel jumper
W38	SR	N5242-20034	1	REF 3 RCVR R3 IN to A24 mixer brick (R3)
W39	SR	N5242-20037	1	REF 4 RCVR R4 IN to A24 mixer brick (R4)
W41	SR	N5242-20110	1	A11 13.5 GHz synthesizer to A21 HMA26.5
W42	SR	N5242-20015	1	A21 HMA26.5 to A22 splitter
W44	SR	N5242-20014	1	A22 splitter to A24 mixer brick
W55	F	N5242-60024	1	A24 mixer brick (D) to A20 IF multiplexer (P801)
W56	F	N5242-60019	1	A24 mixer brick (R4) to A20 IF multiplexer (P414)
W57	F	N5242-60020	1	A24 mixer brick (R3) to A20 IF multiplexer (P413)
W58	F	N5242-60023	1	A24 mixer brick (C) to A20 IF multiplexer (P601)
W59	F	N5242-60012	1	A20 IF multiplexer (P3) to A12 SPAM (J1)
W60	F	N5242-60013	1	A20 IF multiplexer (P203) to A12 SPAM (J2)
W61	F	N5242-60014	1	A20 IF multiplexer (P403) to A12 SPAM (J4)
W62	F	N5242-60015	1	A20 IF multiplexer (P603) to A12 SPAM (J5)
W63	F	N5242-60016	1	A20 IF multiplexer (P803) to A12 SPAM (J6)
W75	SR	N5242-20005	1	A26 port 3 bridge to A35 port 3 source attenuator
W76	SR	N5242-20029	1	A35 port 3 source attenuator to front-panel Port 3 SOURCE OUT
W79	SR	N5242-20002	1	A27 port 4 bridge to A36 port 4 source attenuator
W80	SR	N5242-20030	1	A36 port 4 source attenuator to front-panel Port 4 SOURCE OUT
W89	SR	N5242-20031	1	Port 3 RCVR C IN to A43 port 3 receiver attenuator
W90	SR	N5242-20012	1	A43 port 3 receiver attenuator to A24 mixer brick (C)
W91	SR	N5242-20032	1	Port 4 RCVR D IN to A44 port 4 receiver attenuator
W92	SR	N5242-20036	1	A44 port 4 receiver attenuator to A24 mixer brick (D)
W140	SR	N5242-20118	1	A24 mixer brick to A55 noise downconverter

a. SR = semirigid coaxial cable; F = flexible coaxial cable

Figure 6-50 Bottom RF Cables, 4-Port, Options 400/419/ 029/H85 (Ports 3 and 4)



(Some parts removed for clarity.)

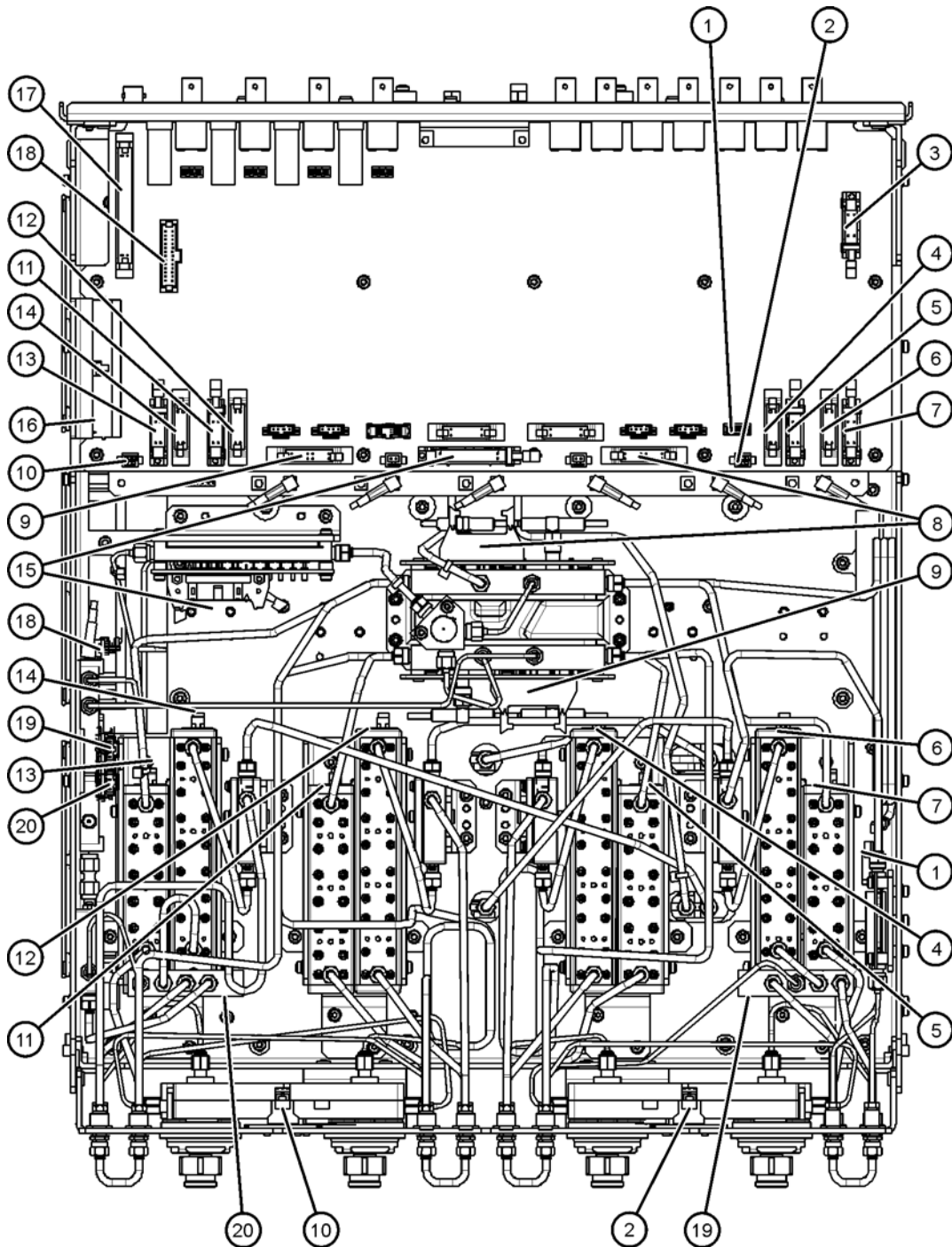
n5242_001_662

Bottom Ribbon Cables and Wire Harnesses, 4-Port, Options 400/419/029/H85

Reference Designator	Type ^a	Part Number	Description
①	4W	N5242-60002	A19 test set motherboard J3 to A33 reference mixer switch
②	3W	N5242-60009	A19 test set motherboard J221 to ports 1/3 LED board J1
③	10R	N5242-60005	Rear-panel PWR I/O to A19 test set motherboard J301
④	14R	N5242-60008	A19 test set motherboard J202 to A35 port 3 source attenuator
⑤	10R	N5242-60007	A19 test set motherboard J206 to A43 port 3 receiver attenuator
⑥	14R	N5242-60008	A19 test set motherboard J201 to A34 port 1 source attenuator
⑦	10R	N5242-60007	A19 test set motherboard J205 to A42 port 1 receiver attenuator
⑧	16R	N5242-60006	A19 test set motherboard J212 to A23 mixer brick (1)
⑨	16R	N5242-60006	A19 test set motherboard J213 to A24 mixer brick (2)
⑩	3W	N5242-60009	A19 test set motherboard J222 to ports 2/4 LED board J1
⑪	10R	N5242-60007	A19 test set motherboard J207 to A44 port 4 receiver attenuator
⑫	14R	N5242-60008	A19 test set motherboard J203 to A36 port 4 source attenuator
⑬	10R	N5242-60007	A19 test set motherboard J208 to A45 port 2 receiver attenuator
⑭	14R	N5242-60008	A19 test set motherboard J204 to A37 port 2 source attenuator
⑮	24R	N5242-60011	A19 test set motherboard J209 to A21 HMA26.5
⑯	100R	N5242-60004	A14 system motherboard J1 to A19 test set motherboard J1 to A20 IF multiplexer board J1
⑰	36R	8121-0834	Rear-panel HANDLER I/O to A19 test set motherboard J400
⑱	30R	N5242-60033	A19 test set motherboard J548 to A55 noise downconverter J1
⑲	P/O A52 port 1 noise bypass switch. Refer to " Bottom Assemblies, 4-Port, Options 400/419 " on page 6-79.		
⑳	P/O A53 port 2 noise bypass switch. Refer to " Bottom Assemblies, 4-Port, Options 400/419 " on page 6-79.		

a. nR = n wires in a ribbon (flat) cable; nW = n wires in a wire harness

Figure 6-51 Bottom Ribbon Cables and Wire Harnesses, 4-Port, Options400/419/029/H85



(Some parts removed for clarity.)

n5242_001_663

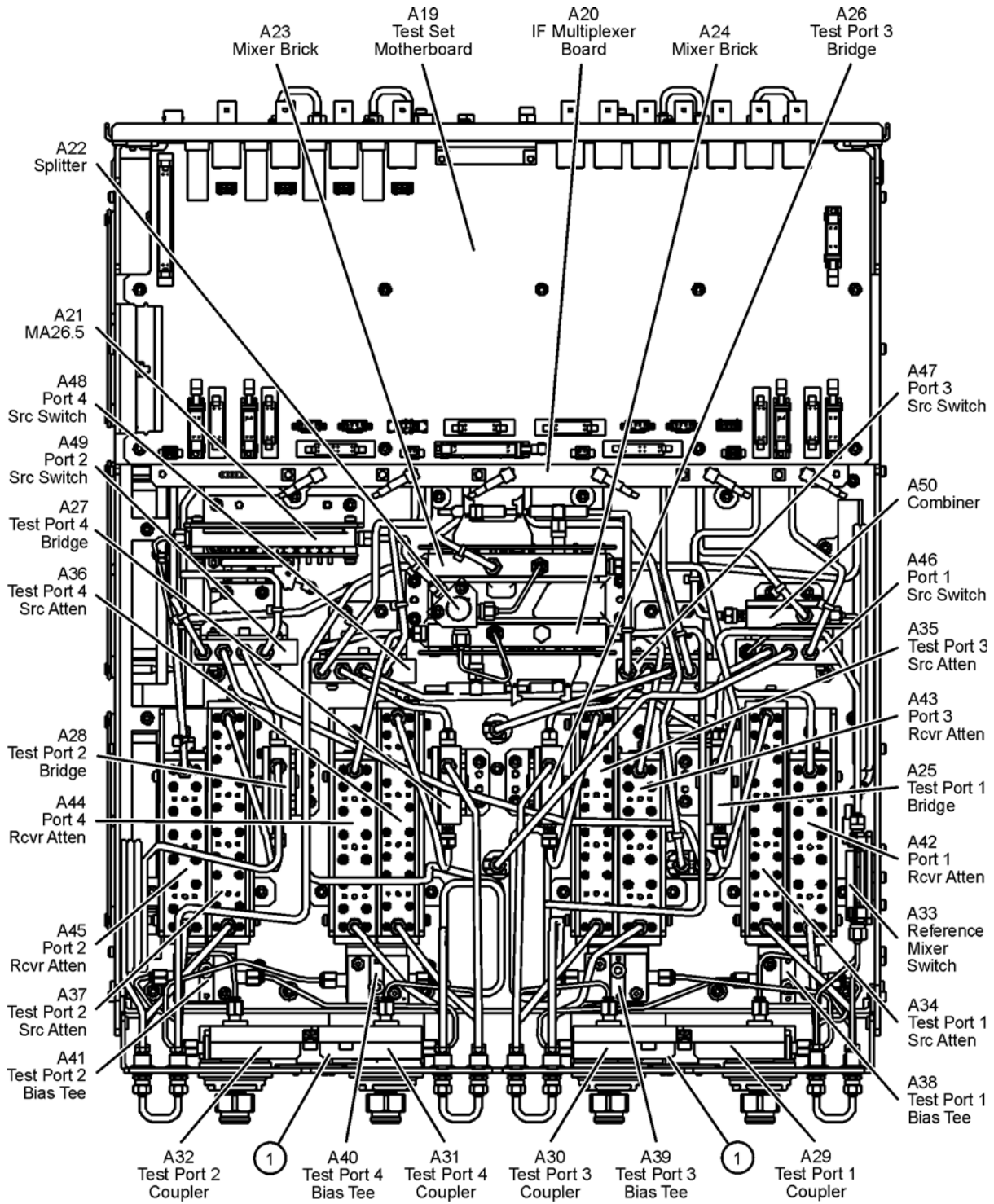
4-Port Configuration, Options 400/419/423

Bottom Assemblies, 4-Port, Options 400/419/423

Reference Designator	Part Number ^a	Qty	Description
A19	N5245-60003 was N5240-60043	1	Test set motherboard
A20	N5240-60062 Was N5240-60045	1	IF multiplexer board
A21	5087-7711	1	LO Multiplier/amplifier 26.5 (HMA26.5)
A22	5087-7139 <i>5087-6139</i>	1	Splitter
A23 A24	5087-7722 was 5087-7308	2	Mixer brick
A25 A26 A27 A28	5087-7315	4	Test port 1 bridge Test port 3 bridge Test port 4 bridge Test port 2 bridge
A29 A30 A31 A32	5087-7710	4	Test port 1 coupler Test port 3 coupler Test port 4 coupler Test port 2 coupler
A33	N5240-60048	1	Reference mixer switch
A34 A35 A36 A37	33321-60070	4	Test port 1 source attenuator Test port 3 source attenuator Test port 4 source attenuator Test port 2 source attenuator
A38 A39 A40 A41	5087-7781 Was 5087-7239	4	Test port 1 bias tee (includes wire harness) Test port 3 bias tee (includes wire harness) Test port 4 bias tee (includes wire harness) Test port 2 bias tee (includes wire harness)
A42 A43 A44 A45	33321-60066	4	Port 1 receiver attenuator Port 3 receiver attenuator Port 4 receiver attenuator Port 2 receiver attenuator
A46 A47 A48 A49	N1811-60028 Was N1811-60006	4	Port 1 mechanical switch Port 3 mechanical switch Port 4 mechanical switch Port 2 mechanical switch
A50	5087-7315	1	Combiner
①	N5240-60058 Was N5240-60051	2	Front panel LED board

a. Part numbers in *italic* typeface are for rebuilt exchange assemblies. Refer to “Rebuilt-Exchange Assemblies” on page 6-5.

Figure 6-52 Bottom Assemblies, 4-Port, Options 400/419/423



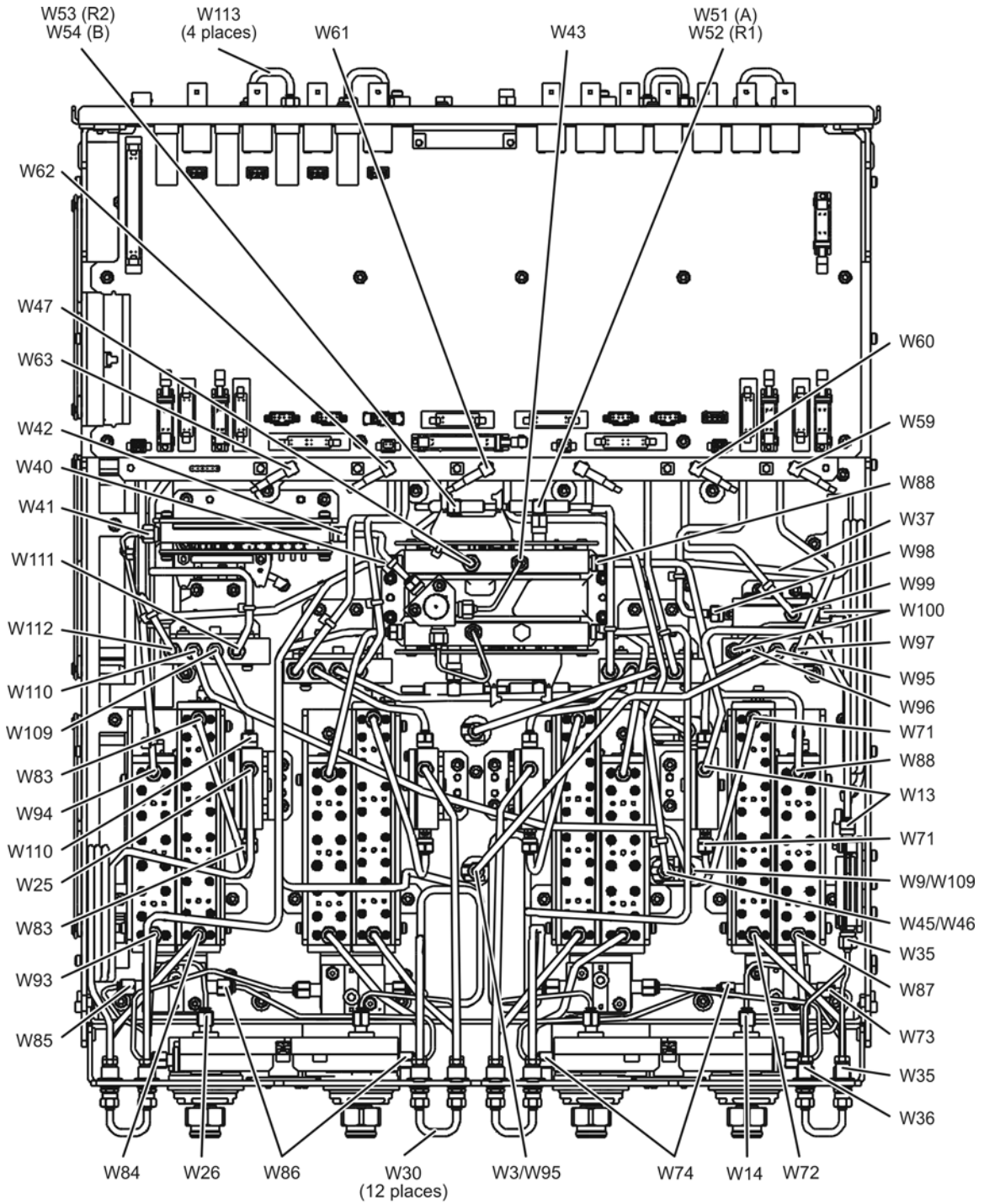
n5242_001_664

Bottom RF Cables, 4-Port, Options 400/419/423 (Ports 1 and 2)

Reference Designator	Type ^a	Part Number	Qty	Description
W3	SR	N5242-20091	1	A5 source (1) to W95
W9	SR	N5242-20092	1	A5 source (1) to W109
W13	SR	N5242-20011	1	A25 port 1 bridge to A33 reference mixer switch
W14	SR	N5242-20040	1	A29 port 1 coupler to front-panel Port 1 CPLR ARM
W25	SR	N5242-20048	1	A28 port 2 bridge to front-panel REF 2 SOURCE OUT
W26	SR	N5242-20044	1	A32 port 2 coupler to front-panel Port 2 CPLR ARM
W30	SR	E8356-20072	12	Front panel jumper
W35	SR	N5242-20043	1	A33 reference mixer switch to front-panel REF 1 SOURCE OUT
W36	SR	N5242-20042	1	REF 1 RCVR R1 IN to A33 reference mixer switch
W37	SR	N5242-20009	1	A33 reference mixer switch to A23 mixer brick (R1)
W40	SR	N5242-20049	1	REF 2 RCVR R2 IN to A23 mixer brick (R2)
W41	SR	N5242-20110	1	A11 13.5 GHz synthesizer to A21 HMA26.5
W42	SR	N5242-20015	1	A21 HMA26.5 to A22 splitter
W43	SR	N5242-20013	1	A22 splitter to A23 mixer brick
W45	SR	N5242-20093	1	A5 source (1) to W46
W46	SR	N5242-20090	1	W46 to rear-panel EXT TSET DRIVE RF OUT (J6)
W47	SR	N5242-20089	1	A23 mixer brick to EXT TSET DRIVE LO OUT (J5)
W51	F	N5242-60017	1	A23 mixer brick (A) to A20 IF multiplexer (P1)
W52	F	N5242-60021	1	A23 mixer brick (R1) to A20 IF multiplexer (P411)
W53	F	N5242-60022	1	A23 mixer brick (R2) to A20 IF multiplexer (P412)
W54	F	N5242-60018	1	A23 mixer brick (B) to A20 IF multiplexer (P201)
W59	F	N5242-60012	1	A20 IF multiplexer (P3) to A12 SPAM (J1)
W60	F	N5242-60013	1	A20 IF multiplexer (P203) to A12 SPAM (J2)
W61	F	N5242-60014	1	A20 IF multiplexer (P403) to A12 SPAM (J4)
W62	F	N5242-60015	1	A20 IF multiplexer (P603) to A12 SPAM (J5)
W63	F	N5242-60016	1	A20 IF multiplexer (P803) to A12 SPAM (J6)
W71	SR	N5242-20005	1	A25 port 1 bridge to A34 port 1 source attenuator
W72	SR	N5242-20038	1	A34 port 1 source attenuator to front-panel Port 1 SOURCE OUT
W73	SR	N5242-20039	1	Port 1 CPLR THRU to A38 port 1 bias tee
W74	SR	N5242-20022	1	A38 port 1 bias tee to A29 port 1 coupler
W83	SR	N5242-20002	1	A28 port 2 bridge to A37 port 2 source attenuator
W84	SR	N5242-20046	1	A37 port 2 source attenuator to front-panel Port 2 SOURCE OUT
W85	SR	N5242-20045	1	Port 2 CPLR THRU to A41 port 2 bias tee
W86	SR	N5242-20023	1	A41 port 2 bias tee to A32 port 2 coupler
W87	SR	N5242-20041	1	Port 1 RCVR A IN to A42 port 1 receiver attenuator
W88	SR	N5242-20010	1	A42 port 1 receiver attenuator to A23 mixer brick (A)
W93	SR	N5242-20047	1	Port 2 RCVR B IN to A45 port 2 receiver attenuator
W94	SR	N5242-20016	1	A45 port 2 receiver attenuator to A23 mixer brick (B)
W95	SR	N5242-20020	1	W3 to A46 port 1 mechanical switch
W96	SR	N5242-20007	1	A46 port 1 mechanical switch to A25 port 1 bridge
W97	SR	N5242-20086	1	A46 port 1 mechanical switch to PORT 1 SW SRC OUT (J11)
W98	SR	N5242-20087	1	Rear-panel PORT 1 COMB THRU IN (J10) to A50 combiner
W99	SR	N5242-20088	1	Rear-panel PORT 1 COMB ARM IN (J9) to A50 combiner
W100	SR	N5242-20008	1	A50 combiner to A46 port 1 mechanical switch
W109	SR	N5242-20019	1	W9 to A49 port 2 mechanical switch
W110	SR	N5242-20004	1	A49 port 2 mechanical switch to A28 port 2 bridge
W111	SR	N5242-20084	1	A49 port 2 mechanical switch to PORT 2 SW SRC OUT (J2)
W112	SR	N5242-20085	1	Rear-panel PORT 2 SW TSET IN (J1) to A49 port 2 mechanical switch
W113	SR	E8356-20072	4	Rear panel jumper

a. SR = semirigid coaxial cable; F = flexible coaxial cable

Figure 6-53 Bottom RF Cables, 4-Port, Options 400/419/423 (Ports 1 and 2)



(Some parts removed for clarity.)

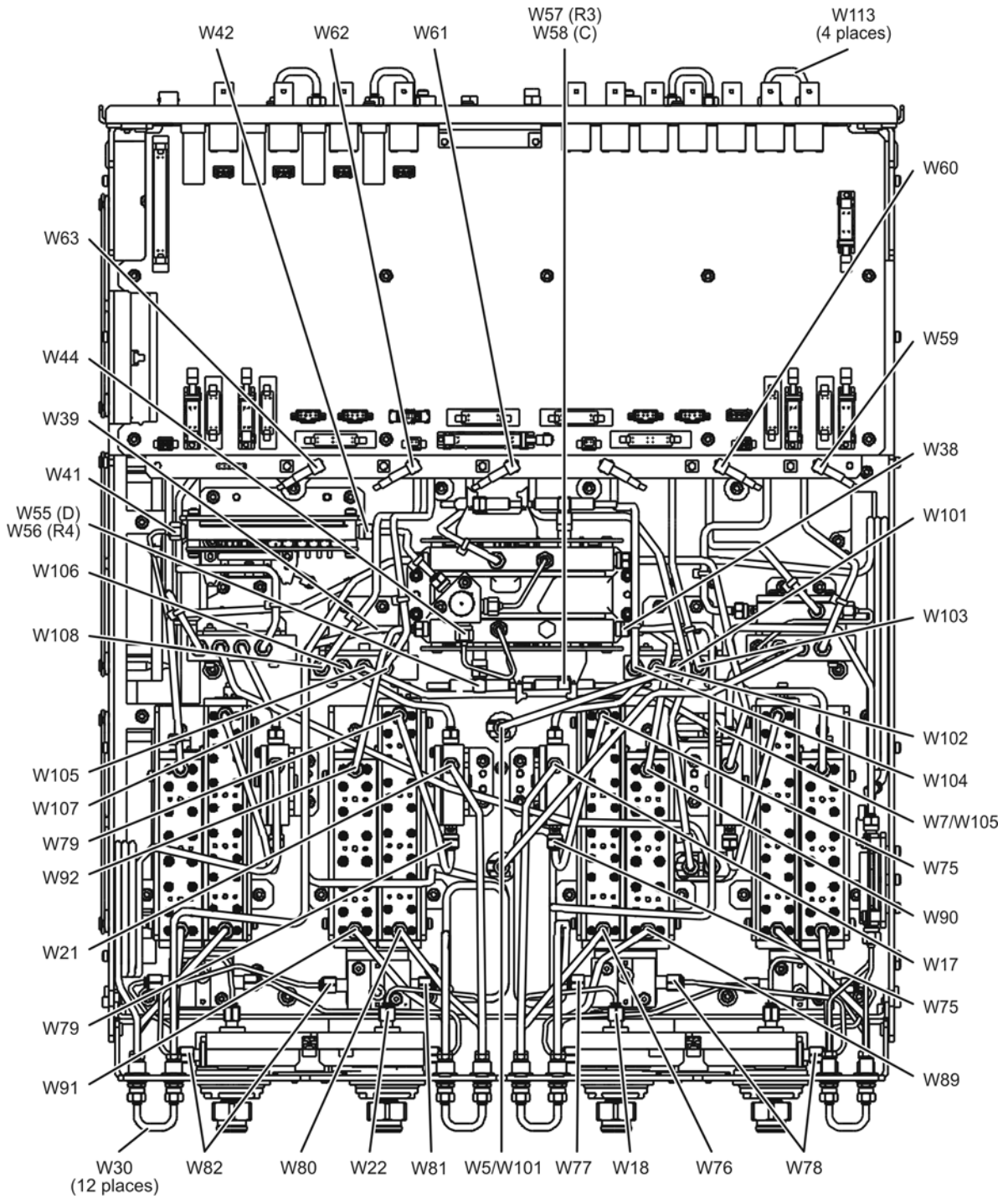
n5242_001_620-1

Bottom RF Cables, 4-Port, Options 400/419/423 (Ports 3 and 4)

Reference Designator	Type ^a	Part Number	Qty	Description
W5	SR	N5242-20091	1	A8source (2) to W101
W7	SR	N5242-20092	1	A8 source (2) to W105
W17	SR	N5242-20033	1	A26 port 3 bridge to front-panel REF 3 SOURCE OUT
W18	SR	N5242-20025	1	A30 port 3 coupler to front-panel Port 3 CPLR ARM
W21	SR	N5242-20035	1	A27 port 4 bridge to front-panel REF 4 SOURCE OUT
W22	SR	N5242-20028	1	A31 port 4 coupler to front-panel Port 4 CPLR ARM
W30	SR	E8356-20072	12	Front panel jumper
W38	SR	N5242-20034	1	REF 3 RCVR R3 IN to A24 mixer brick (R3)
W39	SR	N5242-20037	1	REF 4 RCVR R4 IN to A24 mixer brick (R4)
W41	SR	N5242-20110	1	A11 13.5 GHz synthesizer to A21 HMA26.5
W42	SR	N5242-20015	1	A21 HMA26.5 to A22 splitter
W44	SR	N5242-20014	1	A22 splitter to A24 mixer brick
W55	F	N5242-60024	1	A24 mixer brick (D) to A20 IF multiplexer (P801)
W56	F	N5242-60019	1	A24 mixer brick (R4) to A20 IF multiplexer (P414)
W57	F	N5242-60020	1	A24 mixer brick (R3) to A20 IF multiplexer (P413)
W58	F	N5242-60023	1	A24 mixer brick (C) to A20 IF multiplexer (P601)
W59	F	N5242-60012	1	A20 IF multiplexer (P3) to A12 SPAM (J1)
W60	F	N5242-60013	1	A20 IF multiplexer (P203) to A12 SPAM (J2)
W61	F	N5242-60014	1	A20 IF multiplexer (P403) to A12 SPAM (J4)
W62	F	N5242-60015	1	A20 IF multiplexer (P603) to A12 SPAM (J5)
W63	F	N5242-60016	1	A20 IF multiplexer (P803) to A12 SPAM (J6)
W75	SR	N5242-20005	1	A26 port 3 bridge to A35 port 3 source attenuator
W76	SR	N5242-20029	1	A35 port 3 source attenuator to front-panel Port 3 SOURCE OUT
W77	SR	N5242-20026	1	Port 3 CPLR THRU to A39 port 3 bias tee
W78	SR	N5242-20021	1	A39 port 3 bias tee to A30 port 3 coupler
W79	SR	N5242-20002	1	A27 port 4 bridge to A36 port 4 source attenuator
W80	SR	N5242-20030	1	A36 port 4 source attenuator to front-panel Port 4 SOURCE OUT
W81	SR	N5242-20027	1	Port 4 CPLR THRU to A40 port 4 bias tee
W82	SR	N5242-20024	1	A40 port 4 bias tee to A31 port 4 coupler
W89	SR	N5242-20031	1	Port 3 RCVR C IN to A43 port 3 receiver attenuator
W90	SR	N5242-20012	1	A43 port 3 receiver attenuator to A24 mixer brick (C)
W91	SR	N5242-20032	1	Port 4 RCVR D IN to A44 port 4 receiver attenuator
W92	SR	N5242-20036	1	A44 port 4 receiver attenuator to A24 mixer brick (D)
W101	SR	N5242-20017	1	W5 to A47 port 3 mechanical switch
W102	SR	N5242-20006	1	A47 port 3 mechanical switch to A26 port 3 bridge
W103	SR	N5242-20081	1	A47 port 3 mechanical switch to PORT 3 SW SRC OUT (J8)
W104	SR	N5242-20080	1	Rear-panel PORT 3 SW TSET IN (J7) to A47 port 3 mechanical switch
W105	SR	N5242-20018	1	W7 to A48 port 4 mechanical switch
W106	SR	N5242-20003	1	A48 port 4 mechanical switch to A27 port 4 bridge
W107	SR	N5242-20082	1	A48 port 4 mechanical switch to PORT 4 SW SRC OUT (J4)
W108	SR	N5242-20083	1	Rear-panel PORT 4 SW TSET IN (J3) to A48 port 4 mechanical switch
W113	SR	E8356-20072	1	Rear panel jumper

a. SR = semirigid coaxial cable; F = flexible coaxial cable

Figure 6-54 Bottom RF Cables, 4-Port, Options 400/419/423 (Ports 3 and 4)



(Some parts removed for clarity.)

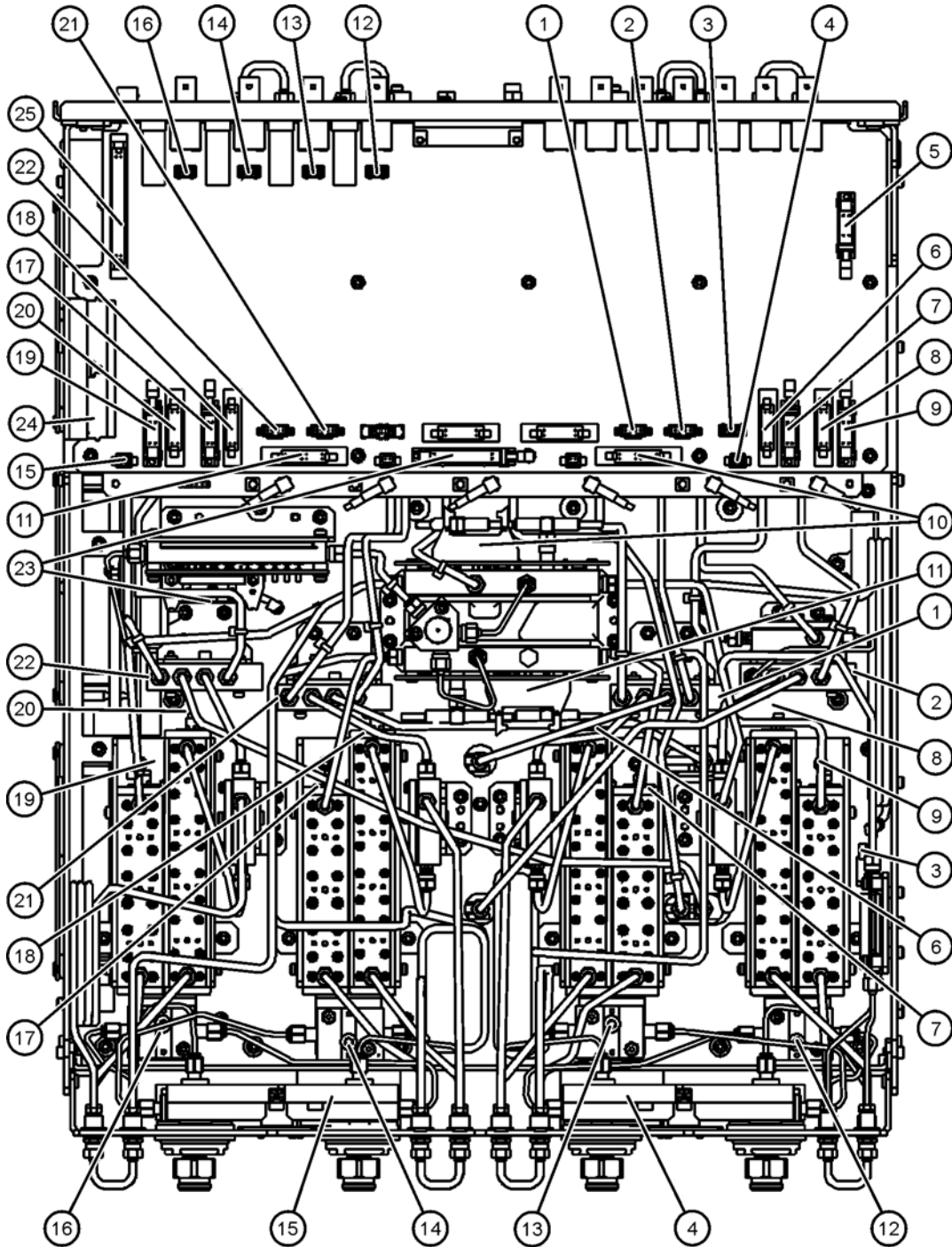
n5242_001_620-2

Bottom Ribbon Cables and Wire Harnesses, 4-Port, Options 400/419/423

Reference Designator	Type ^a	Part Number	Description
①	4W	N5242-60003	A19 test set motherboard J102 to A47 port 3 mechanical switch
②	4W	N5242-60003	A19 test set motherboard J101 to A46 port 1 mechanical switch
③	4W	N5242-60002	A19 test set motherboard J3 to A33 reference mixer switch
④	3W	N5242-60009	A19 test set motherboard J221 to ports 1/3 LED board J1
⑤	10R	N5242-60005	Rear-panel PWR I/O to A19 test set motherboard J301
⑥	14R	N5242-60008	A19 test set motherboard J202 to A35 port 3 source attenuator
⑦	10R	N5242-60007	A19 test set motherboard J206 to A43 port 3 receiver attenuator
⑧	14R	N5242-60008	A19 test set motherboard J201 to A34 port 1 source attenuator
⑨	10R	N5242-60007	A19 test set motherboard J205 to A42 port 1 receiver attenuator
⑩	16R	N5242-60006	A19 test set motherboard J212 to A23 mixer brick (1)
⑪	16R	N5242-60006	A19 test set motherboard J213 to A24 mixer brick (2)
⑫	2W	--	A19 test set motherboard J541 to A38 port 1 bias tee
⑬	2W	--	A19 test set motherboard J542 to A39 port 3 bias tee
⑭	2W	--	A19 test set motherboard J543 to A40 port 4 bias tee
⑮	3W	N5242-60009	A19 test set motherboard J222 to ports 2/4 LED board J1
⑯	2W	--	A19 test set motherboard J544 to A41 port 2 bias tee
⑰	10R	N5242-60007	A19 test set motherboard J207 to A44 port 4 receiver attenuator
⑱	14R	N5242-60008	A19 test set motherboard J203 to A36 port 4 source attenuator
⑲	10R	N5242-60007	A19 test set motherboard J208 to A45 port 2 receiver attenuator
⑳	14R	N5242-60008	A19 test set motherboard J204 to A37 port 2 source attenuator
㉑	4W	N5242-60003	A19 test set motherboard J103 to A48 port 4 mechanical switch
㉒	4W	N5242-60003	A19 test set motherboard J104 to A49 port 2 mechanical switch
㉓	24R	N5242-60011	A19 test set motherboard J209 to A21 HMA26.5
㉔	100R	N5242-60004	A14 system motherboard J1 to A19 test set motherboard J1 to A20 IF multiplexer board J1
㉕	36R	8121-0834	Rear-panel HANDLER I/O to A19 test set motherboard J400

a. nR = n wires in a ribbon (flat) cable; nW = n wires in a wire harness

Figure 6-55 Bottom Ribbon Cables and Wire Harnesses, 4-Port, Options 400/419/423



(Some parts removed for clarity.)

n5242_001_665

4-Port Configuration, Options 400/419/423/029

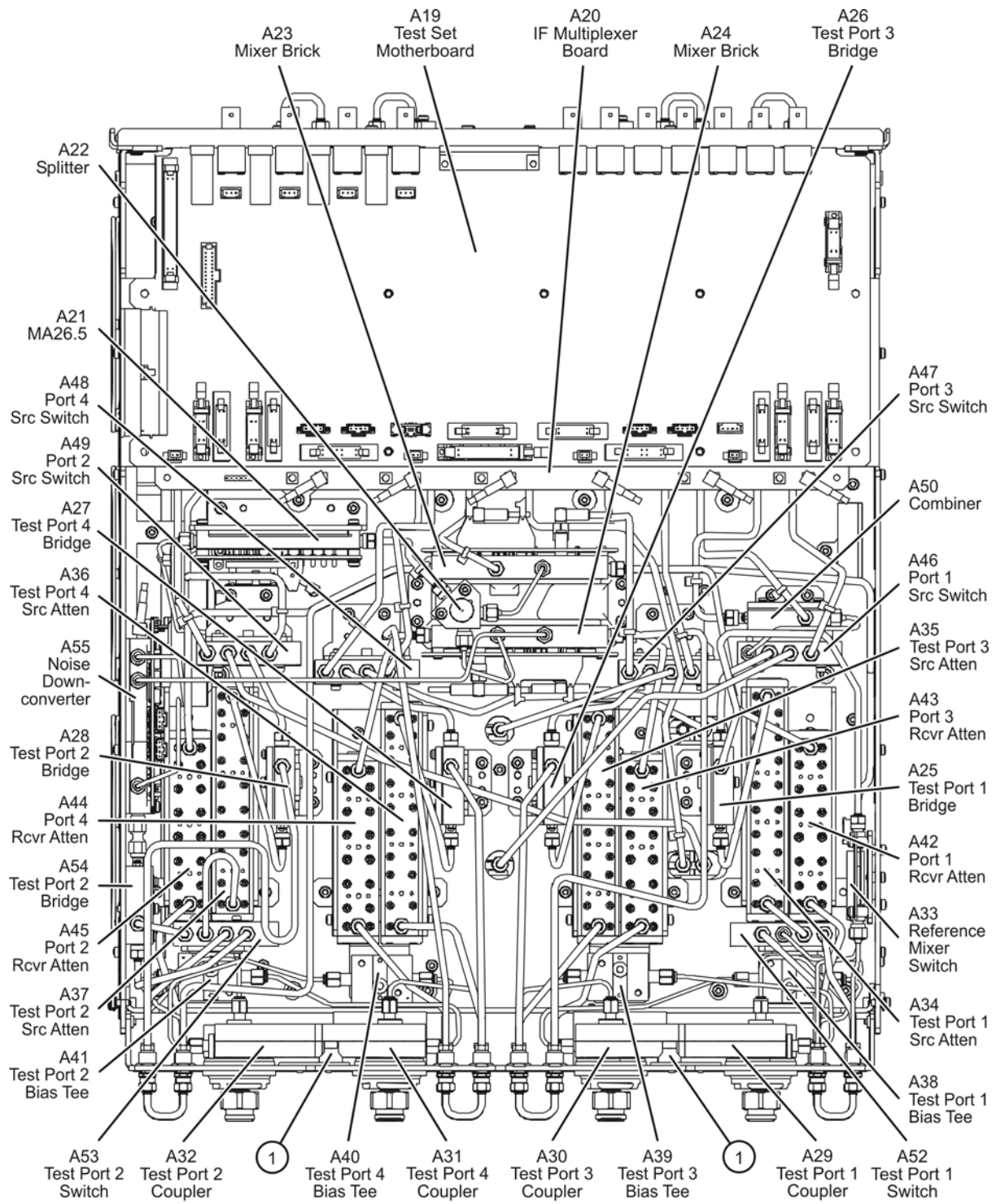
Bottom Assemblies, 4-Port, Options 400/419/423/029

Reference Designator	Part Number ^a	Qty	Description
A19	N5245-60003 was N5240-60043	1	Test set motherboard
A20	N5240-60062 Was N5240-60045	1	IF multiplexer board
A21	5087-7711	1	LO Multiplier/amplifier 26.5 (HMA26.5)
A22	5087-7139 5087-6139	1	Splitter
A23 A24	5087-7722 was 5087-7308	2	Mixer brick
A25 A26 A27 A28	5087-7315	4	Test port 1 bridge Test port 3 bridge Test port 4 bridge Test port 2 bridge
A29 A30 A31 A32	5087-7710	4	Test port 1 coupler Test port 3 coupler Test port 4 coupler Test port 2 coupler
A33	N5240-60048	1	Reference mixer switch
A34 A35 A36 A37	33321-60070	4	Test port 1 source attenuator Test port 3 source attenuator Test port 4 source attenuator Test port 2 source attenuator
A38 A39 A40 A41	5087-7781 Was 5087-7239	4	Test port 1 bias tee (includes wire harness) Test port 3 bias tee (includes wire harness) Test port 4 bias tee (includes wire harness) Test port 2 bias tee (includes wire harness)
A42 A43 A44 A45	33321-60066	4	Port 1 receiver attenuator Port 3 receiver attenuator Port 4 receiver attenuator Port 2 receiver attenuator
A46 A47 A48 A49	N1811-60028 Was N1811-60006	4	Port 1 mechanical switch Port 3 mechanical switch Port 4 mechanical switch Port 2 mechanical switch
A50	5087-7315	1	Combiner
A52	N1811-60030 Was N1811-60008	1	Test port 1 noise bypass switch (Option 029 only)
A53	N1811-60028 Was N1811-60006	1	Test port 2 noise bypass switch (Option 029 only)
A54	5087-7729 Was 5087-7315	1	Test port 2 bridge (Option 029 only)
A55	5087-7767 Was 5087-7316	1	Noise downconverter (Option 029 only)

Reference Designator	Part Number ^a	Qty	Description
①	N5240-60058 Was N5240-60051	2	Front panel LED board

a. Part numbers in *italic* typeface are for rebuilt exchange assemblies. Refer to [“Rebuilt-Exchange Assemblies”](#) on page 6-5.

Figure 6-56 Bottom Assemblies, 4-Port, Options 400/419/423/029



n5242_001_634

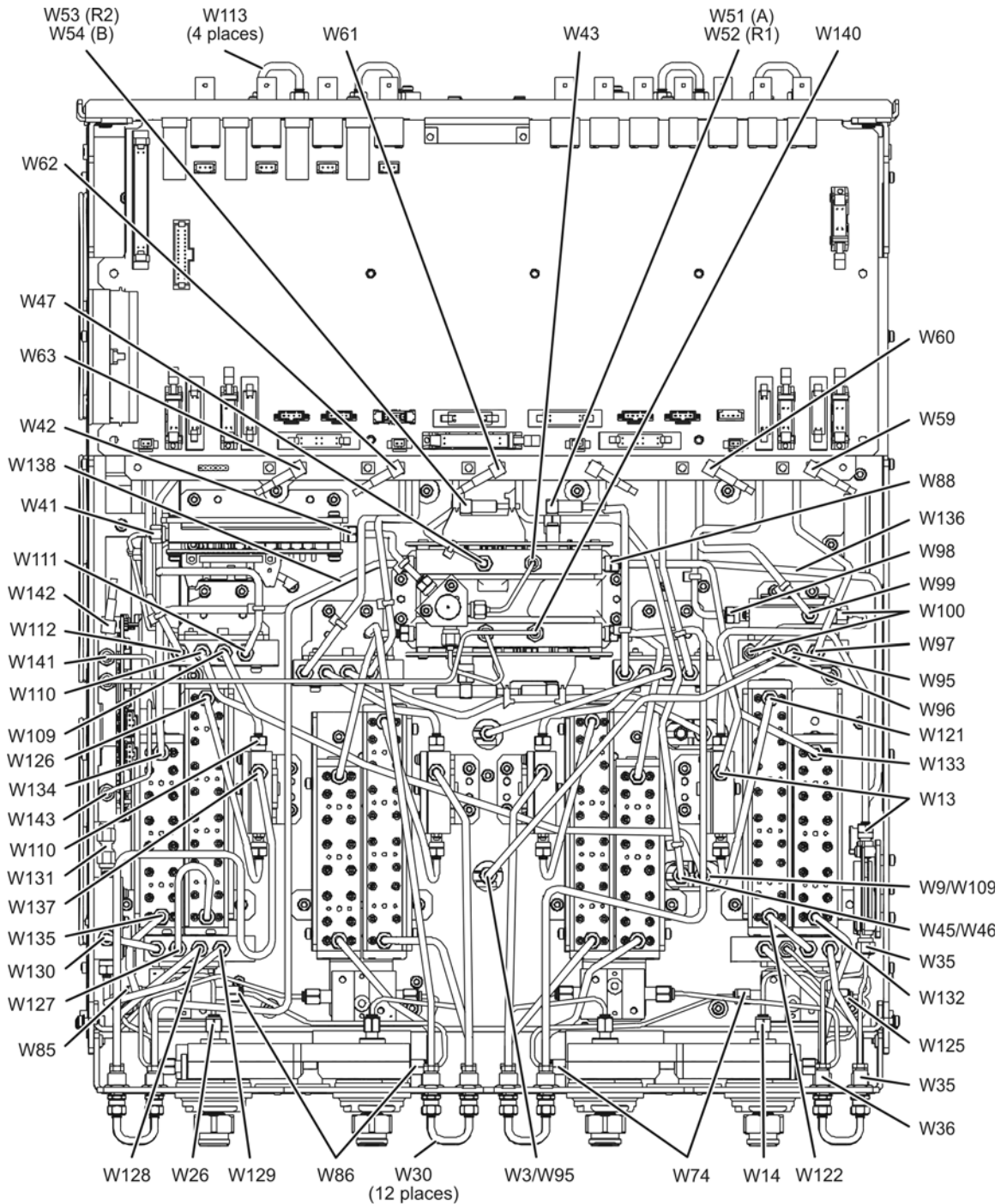
Bottom RF Cables, 4-Port, Options 400/419/423/029 (Ports 1 and 2)

Reference Designator	Type ^a	Part Number	Qty	Description
W3	SR	N5242-20091	1	A5 source (1) to W95
W9	SR	N5242-20092	1	A5 source (1) to W109
W13	SR	N5242-20011	1	A25 port 1 bridge to A33 reference mixer switch
W14	SR	N5242-20040	1	A29 port 1 coupler to front-panel Port 1 CPLR ARM
W26	SR	N5242-20044	1	A32 port 2 coupler to front-panel Port 2 CPLR ARM
W30	SR	E8356-20072	12	Front panel jumper
W35	SR	N5242-20043	1	A33 reference mixer switch to front-panel REF 1 SOURCE OUT
W36	SR	N5242-20042	1	REF 1 RCVR R1 IN to A33 reference mixer switch
W41	SR	N5242-20110	1	A11 13.5 GHz synthesizer to A21 HMA26.5
W42	SR	N5242-20015	1	A21 HMA26.5 to A22 splitter
W43	SR	N5242-20013	1	A22 splitter to A23 mixer brick
W45	SR	N5242-20093	1	A5 source (1) to W46
W46	SR	N5242-20090	1	W46 to rear-panel EXT TSET DRIVE RF OUT (J6)
W47	SR	N5242-20089	1	A23 mixer brick to EXT TSET DRIVE LO OUT (J5)
W51	F	N5242-60017	1	A23 mixer brick (A) to A20 IF multiplexer (P1)
W52	F	N5242-60021	1	A23 mixer brick (R1) to A20 IF multiplexer (P411)
W53	F	N5242-60022	1	A23 mixer brick (R2) to A20 IF multiplexer (P412)
W54	F	N5242-60018	1	A23 mixer brick (B) to A20 IF multiplexer (P201)
W59	F	N5242-60012	1	A20 IF multiplexer (P3) to A12 SPAM (J1)
W60	F	N5242-60013	1	A20 IF multiplexer (P203) to A12 SPAM (J2)
W61	F	N5242-60014	1	A20 IF multiplexer (P403) to A12 SPAM (J4)
W62	F	N5242-60015	1	A20 IF multiplexer (P603) to A12 SPAM (J5)
W63	F	N5242-60016	1	A20 IF multiplexer (P803) to A12 SPAM (J6)
W74	SR	N5242-20022	1	A38 port 1 bias tee to A29 port 1 coupler
W85	SR	N5242-20045	1	Port 2 CPLR THRU to A41 port 2 bias tee
W86	SR	N5242-20023	1	A41 port 2 bias tee to A32 port 2 coupler
W95	SR	N5242-20020	1	W3 to A46 port 1 mechanical switch
W96	SR	N5242-20007	1	A46 port 1 mechanical switch to A25 port 1 bridge
W97	SR	N5242-20086	1	A46 port 1 mechanical switch to PORT 1 SW SRC OUT (J11)
W98	SR	N5242-20087	1	Rear-panel PORT 1 COMB THRU IN (J10) to A50 combiner
W99	SR	N5242-20088	1	Rear-panel PORT 1 COMB ARM IN (J9) to A50 combiner
W100	SR	N5242-20008	1	A50 combiner to A46 port 1 mechanical switch
W109	SR	N5242-20019	1	W9 to A49 port 2 mechanical switch
W110	SR	N5242-20004	1	A49 port 2 mechanical switch to A28 port 2 bridge
W111	SR	N5242-20084	1	A49 port 2 mechanical switch to PORT 2 SW SRC OUT (J2)
W112	SR	N5242-20085	1	Rear-panel PORT 2 SW TSET IN (J1) to A49 port 2 mechanical switch
W113	SR	E8356-20072	4	Rear panel jumper
W121	SR	N5242-20067	1	A25 port 1 bridge to A34 port 1 source attenuator
W122	SR	N5242-20147 Was N5242-20128	1	A34 port 1 source attenuator to A52 port 1 noise bypass switch
W123	SR	N5242-20127	1	A52 port 1 noise bypass switch to frnt pnl Port 1 SOURCE OUT
W124	SR	N5242-20125	1	Front-panel Port 1 CPLR THRU to A52 port 1 switch
W125	SR	N5242-20126	1	A52 port 1 bypass switch to A38 port 1 bias tee
W126	SR	N5242-20066	1	A28 port 2 bridge to A37 port 2 source attenuator
W127	SR	N5242-20116	1	A37 port 2 source attenuator to A53 port 2 noise bypass switch
W128	SR	N5242-20134	1	A53 port 2 noise bypass switch to frnt pnl Port 2 SOURCE OUT
W129	SR	N5242-20117	1	A53 port 2 noise bypass switch to A54 port 2 bridge
W130	SR	N5242-20148	1	A53 port 2 noise bypass switch to A54 port 2 bridge
W131	SR	1250-3576	1	Adapter, coax, straight, m-m, 50 ohm
W132	SR	N5242-20072	1	Front-panel Port 1 RCVR A IN to A42 port 1 receiver attenuator
W133	SR	N5242-20069	1	A42 port 1 receiver attenuator to A23 mixer brick (A)
W134	SR	N5242-20070	1	A45 port 2 receiver attenuator to A23 mixer brick (B)
W135	SR	N5242-20073	1	Front-panel Port 2 RCVR B IN to A45 port 2 receiver attenuator
W136	SR	N5242-20068	1	A33 reference mixer switch to A23 mixer brick (R1)
W137	SR	N5242-20074	1	A28 port 2 bridge to front-panel REF 2 SOURCE OUT
W138	SR	N5242-20075	1	Front-panel REF 2 RCVR R2 IN to A23 mixer brick (R2)
W140	SR	N5242-20118	1	A24 mixer brick to A55 noise downconverter
W141	SR	N5242-20129	1	A55 noise downconverter to A7 noise receiver board LO

Reference Designator	Type ^a	Part Number	Qty	Description
W142	F	N5242-60041	1	A55 noise downconverter J4 to A7 noise receiver board J9
W143	SR	N5242-20130	1	A55 noise downconverter to A7 noise receiver board RF

a. SR = semirigid coaxial cable; F = flexible coaxial cable

Figure 6-57 Bottom RF Cables, 4-Port, Options 400/419/423/029 (Ports 1 and 2)



(Some parts removed for clarity.)

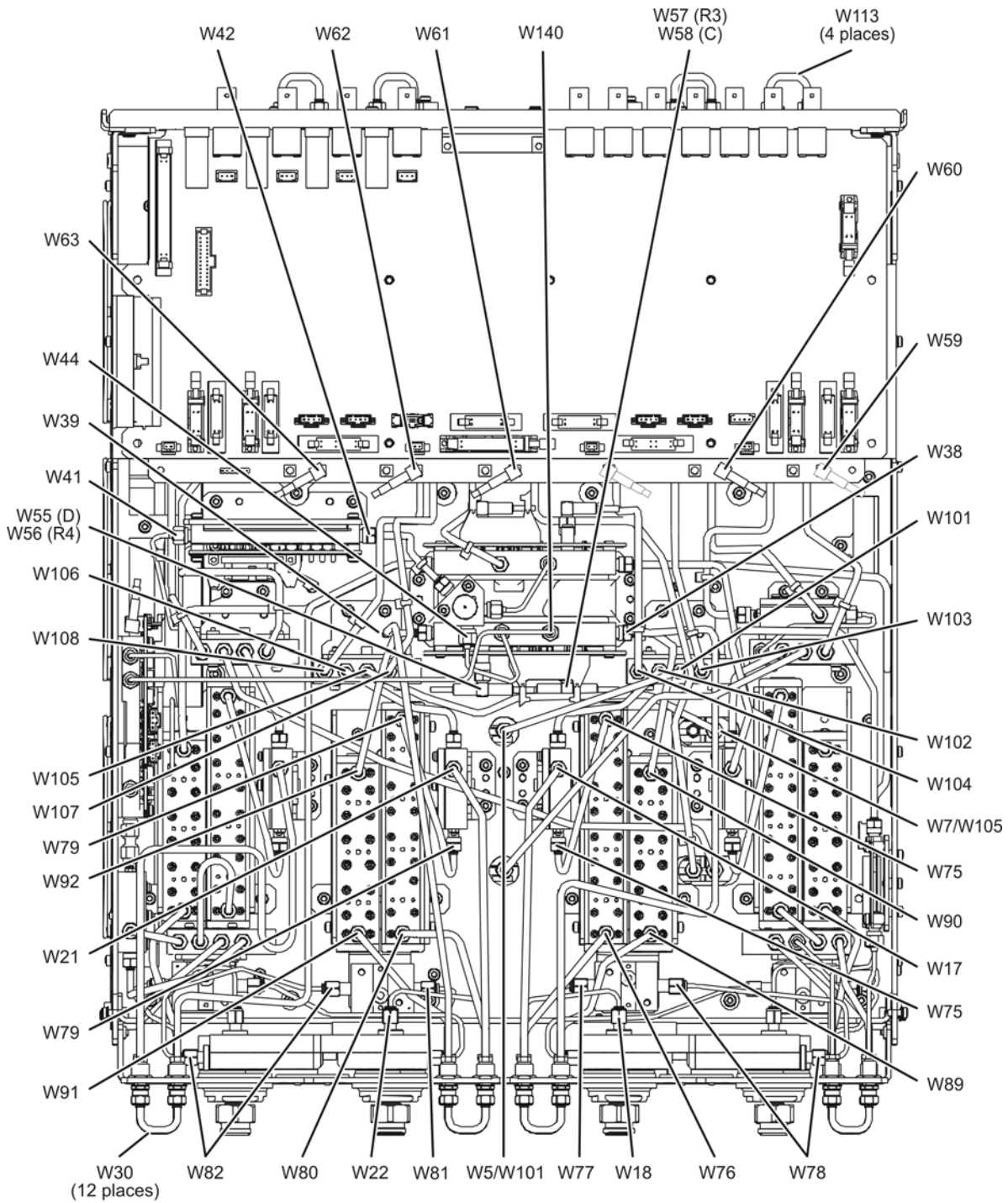
n5242_001_635

Bottom RF Cables, 4-Port, Options 400/419/423/029 (Ports 3 and 4)

Reference Designator	Type ^a	Part Number	Qty	Description
W5	SR	N5242-20091	1	A8source (2) to W101
W7	SR	N5242-20092	1	A8 source (2) to W105
W17	SR	N5242-20033	1	A26 port 3 bridge to front-panel REF 3 SOURCE OUT
W18	SR	N5242-20025	1	A30 port 3 coupler to front-panel Port 3 CPLR ARM
W21	SR	N5242-20035	1	A27 port 4 bridge to front-panel REF 4 SOURCE OUT
W22	SR	N5242-20028	1	A31 port 4 coupler to front-panel Port 4 CPLR ARM
W30	SR	E8356-20072	12	Front panel jumper
W38	SR	N5242-20034	1	REF 3 RCVR R3 IN to A24 mixer brick (R3)
W39	SR	N5242-20037	1	REF 4 RCVR R4 IN to A24 mixer brick (R4)
W41	SR	N5242-20110	1	A11 13.5 GHz synthesizer to A21 HMA26.5
W42	SR	N5242-20015	1	A21 HMA26.5 to A22 splitter
W44	SR	N5242-20014	1	A22 splitter to A24 mixer brick
W55	F	N5242-60024	1	A24 mixer brick (D) to A20 IF multiplexer (P801)
W56	F	N5242-60019	1	A24 mixer brick (R4) to A20 IF multiplexer (P414)
W57	F	N5242-60020	1	A24 mixer brick (R3) to A20 IF multiplexer (P413)
W58	F	N5242-60023	1	A24 mixer brick (C) to A20 IF multiplexer (P601)
W59	F	N5242-60012	1	A20 IF multiplexer (P3) to A12 SPAM (J1)
W60	F	N5242-60013	1	A20 IF multiplexer (P203) to A12 SPAM (J2)
W61	F	N5242-60014	1	A20 IF multiplexer (P403) to A12 SPAM (J4)
W62	F	N5242-60015	1	A20 IF multiplexer (P603) to A12 SPAM (J5)
W63	F	N5242-60016	1	A20 IF multiplexer (P803) to A12 SPAM (J6)
W75	SR	N5242-20005	1	A26 port 3 bridge to A35 port 3 source attenuator
W76	SR	N5242-20029	1	A35 port 3 source attenuator to front-panel Port 3 SOURCE OUT
W77	SR	N5242-20026	1	Port 3 CPLR THRU to A39 port 3 bias tee
W78	SR	N5242-20021	1	A39 port 3 bias tee to A30 port 3 coupler
W79	SR	N5242-20002	1	A27 port 4 bridge to A36 port 4 source attenuator
W80	SR	N5242-20030	1	A36 port 4 source attenuator to front-panel Port 4 SOURCE OUT
W81	SR	N5242-20027	1	Port 4 CPLR THRU to A40 port 4 bias tee
W82	SR	N5242-20024	1	A40 port 4 bias tee to A31 port 4 coupler
W89	SR	N5242-20031	1	Port 3 RCVR C IN to A43 port 3 receiver attenuator
W90	SR	N5242-20012	1	A43 port 3 receiver attenuator to A24 mixer brick (C)
W91	SR	N5242-20032	1	Port 4 RCVR D IN to A44 port 4 receiver attenuator
W92	SR	N5242-20036	1	A44 port 4 receiver attenuator to A24 mixer brick (D)
W101	SR	N5242-20017	1	W5 to A47 port 3 mechanical switch
W102	SR	N5242-20006	1	A47 port 3 mechanical switch to A26 port 3 bridge
W103	SR	N5242-20081	1	A47 port 3 mechanical switch to PORT 3 SW SRC OUT (J8)
W104	SR	N5242-20080	1	Rear-panel PORT 3 SW TSET IN (J7) to A47 port 3 mechanical switch
W105	SR	N5242-20018	1	W7 to A48 port 4 mechanical switch
W106	SR	N5242-20003	1	A48 port 4 mechanical switch to A27 port 4 bridge
W107	SR	N5242-20082	1	A48 port 4 mechanical switch to PORT 4 SW SRC OUT (J4)
W108	SR	N5242-20083	1	Rear-panel PORT 4 SW TSET IN (J3) to A48 port 4 mechanical switch
W113	SR	E8356-20072	1	Rear panel jumper
W140	SR	N5242-20118	1	A24 mixer brick to A55 noise downconverter

a. SR = semirigid coaxial cable; F = flexible coaxial cable

Figure 6-58 Bottom RF Cables, 4-Port, Options 400/419/423/029 (Ports 3 and 4)



(Some parts removed for clarity.)

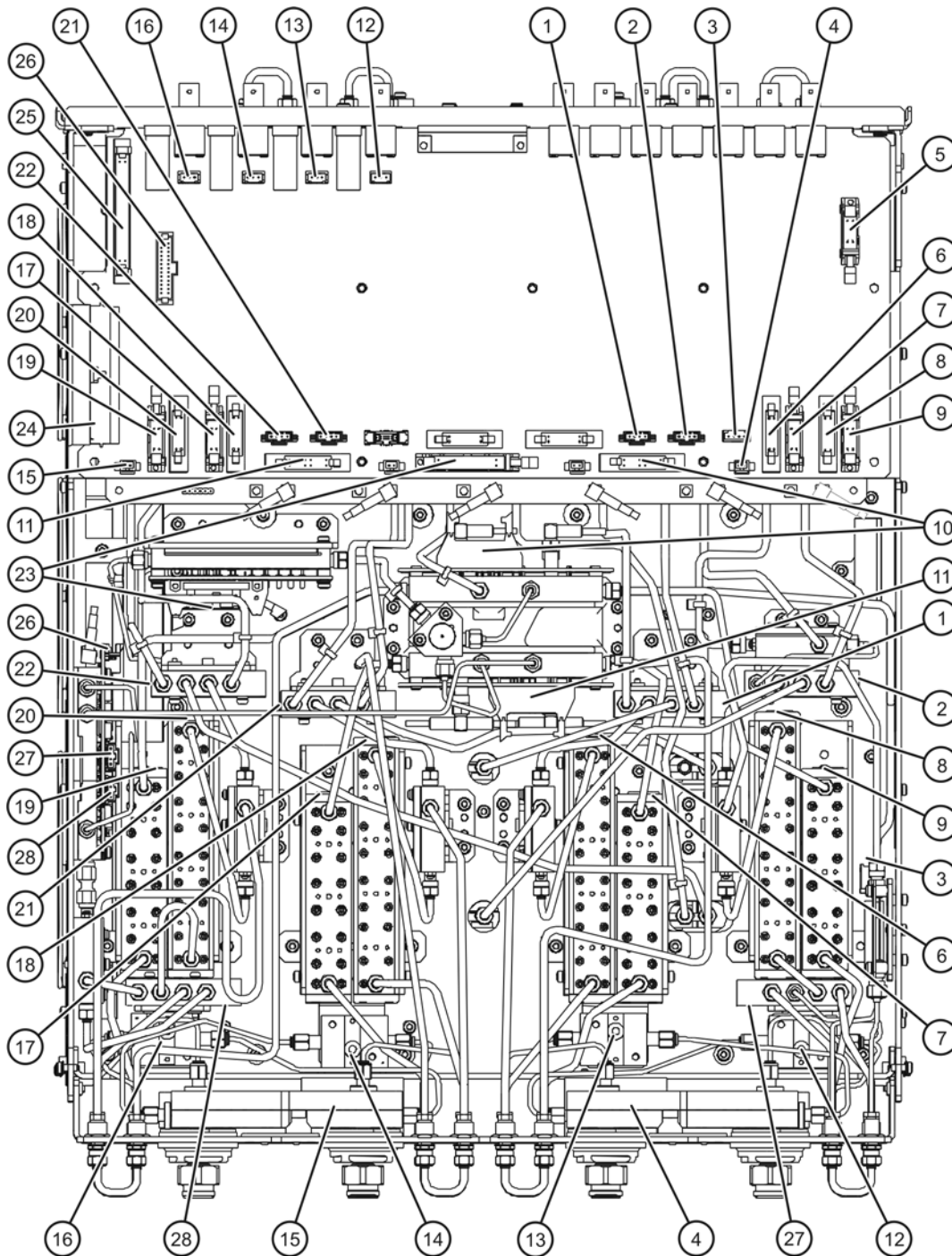
n5242_001_636

Bottom Ribbon Cables and Wire Harnesses, 4-Port, Options 400/419/423/029

Reference Designator	Type ^a	Part Number	Description
①	4W	N5242-60003	A19 test set motherboard J102 to A47 port 3 mechanical switch
②	4W	N5242-60003	A19 test set motherboard J101 to A46 port 1 mechanical switch
③	4W	N5242-60002	A19 test set motherboard J3 to A33 reference mixer switch
④	3W	N5242-60009	A19 test set motherboard J221 to ports 1/3 LED board J1
⑤	10R	N5242-60005	Rear-panel PWR I/O to A19 test set motherboard J301
⑥	14R	N5242-60008	A19 test set motherboard J202 to A35 port 3 source attenuator
⑦	10R	N5242-60007	A19 test set motherboard J206 to A43 port 3 receiver attenuator
⑧	14R	N5242-60008	A19 test set motherboard J201 to A34 port 1 source attenuator
⑨	10R	N5242-60007	A19 test set motherboard J205 to A42 port 1 receiver attenuator
⑩	16R	N5242-60006	A19 test set motherboard J212 to A23 mixer brick (1)
⑪	16R	N5242-60006	A19 test set motherboard J213 to A24 mixer brick (2)
⑫	2W	--	A19 test set motherboard J541 to A38 port 1 bias tee
⑬	2W	--	A19 test set motherboard J542 to A39 port 3 bias tee
⑭	2W	--	A19 test set motherboard J543 to A40 port 4 bias tee
⑮	3W	N5242-60009	A19 test set motherboard J222 to ports 2/4 LED board J1
⑯	2W	--	A19 test set motherboard J544 to A41 port 2 bias tee
⑰	10R	N5242-60007	A19 test set motherboard J207 to A44 port 4 receiver attenuator
⑱	14R	N5242-60008	A19 test set motherboard J203 to A36 port 4 source attenuator
⑲	10R	N5242-60007	A19 test set motherboard J208 to A45 port 2 receiver attenuator
⑳	14R	N5242-60008	A19 test set motherboard J204 to A37 port 2 source attenuator
㉑	4W	N5242-60003	A19 test set motherboard J103 to A48 port 4 mechanical switch
㉒	4W	N5242-60003	A19 test set motherboard J104 to A49 port 2 mechanical switch
㉓	24R	N5242-60011	A19 test set motherboard J209 to A21 HMA26.5
㉔	100R	N5242-60004	A14 system motherboard J1 to A19 test set motherboard J1 to A20 IF multiplexer board J1
㉕	36R	8121-0834	Rear-panel HANDLER I/O to A19 test set motherboard J400
㉖	30R	N5242-60033	A19 test set motherboard J548 to A55 noise downconverter J1
㉗	P/O A52 port 1 noise bypass switch. Refer to "Bottom Assemblies, 4-Port, Options 400/419/423" on page 6-112.		
㉘	P/O A53 port 2 noise bypass switch. Refer to "Bottom Assemblies, 4-Port, Options 400/419/423" on page 6-112.		

a. nR = n wires in a ribbon (flat) cable; nW = n wires in a wire harness

Figure 6-59 Bottom Ribbon Cables and Wire Harnesses, 4-Port, Options 400/419/423/029



(Some parts removed for clarity.)

n5242_001_621

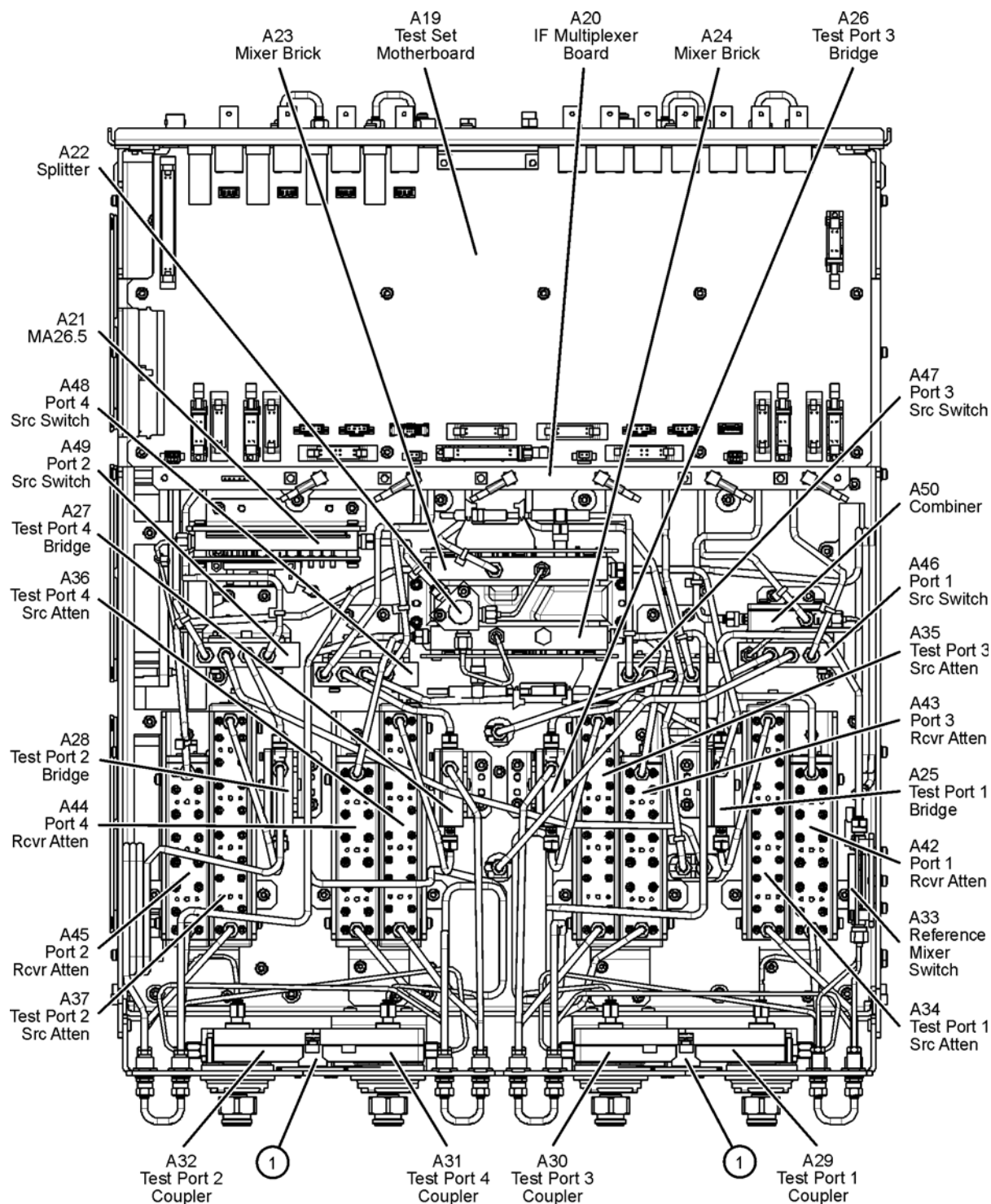
4-Port Configuration, Options 400/419/423/H85

Bottom Assemblies, 4-Port, Options 400/419/423/H85

Reference Designator	Part Number ^a	Qty	Description
A19	N5245-60003 <i>was N5240-60043</i>	1	Test set motherboard
A20	N5240-60062 <i>Was N5240-60045</i>	1	IF multiplexer board
A21	5087-7711	1	LO Multiplier/amplifier 26.5 (HMA26.5)
A22	5087-7139 <i>5087-6139</i>	1	Splitter
A23 A24	5087-7722 <i>was 5087-7308</i>	2	Mixer brick
A25 A26 A27 A28	5087-7315	4	Test port 1 bridge Test port 3 bridge Test port 4 bridge Test port 2 bridge
A29 A30 A31 A32	5087-7710	4	Test port 1 coupler Test port 3 coupler Test port 4 coupler Test port 2 coupler
A33	N5240-60048	1	Reference mixer switch
A34 A35 A36 A37	33321-60070	4	Test port 1 source attenuator Test port 3 source attenuator Test port 4 source attenuator Test port 2 source attenuator
A42 A43 A44 A45	33321-60066	4	Port 1 receiver attenuator Port 3 receiver attenuator Port 4 receiver attenuator Port 2 receiver attenuator
A46 A47 A48 A49	N1811-60028 <i>Was N1811-60006</i>	4	Port 1 mechanical switch Port 3 mechanical switch Port 4 mechanical switch Port 2 mechanical switch
A50	5087-7315	1	Combiner
①	N5240-60058 <i>Was N5240-60051</i>	2	Front panel LED board

a. Part numbers in *italic* typeface are for rebuilt exchange assemblies. Refer to [“Rebuilt-Exchange Assemblies” on page 6-5](#).

Figure 6-60 Bottom Assemblies, 4-Port, Options 400/419/423/H85



(Some parts removed for clarity.)

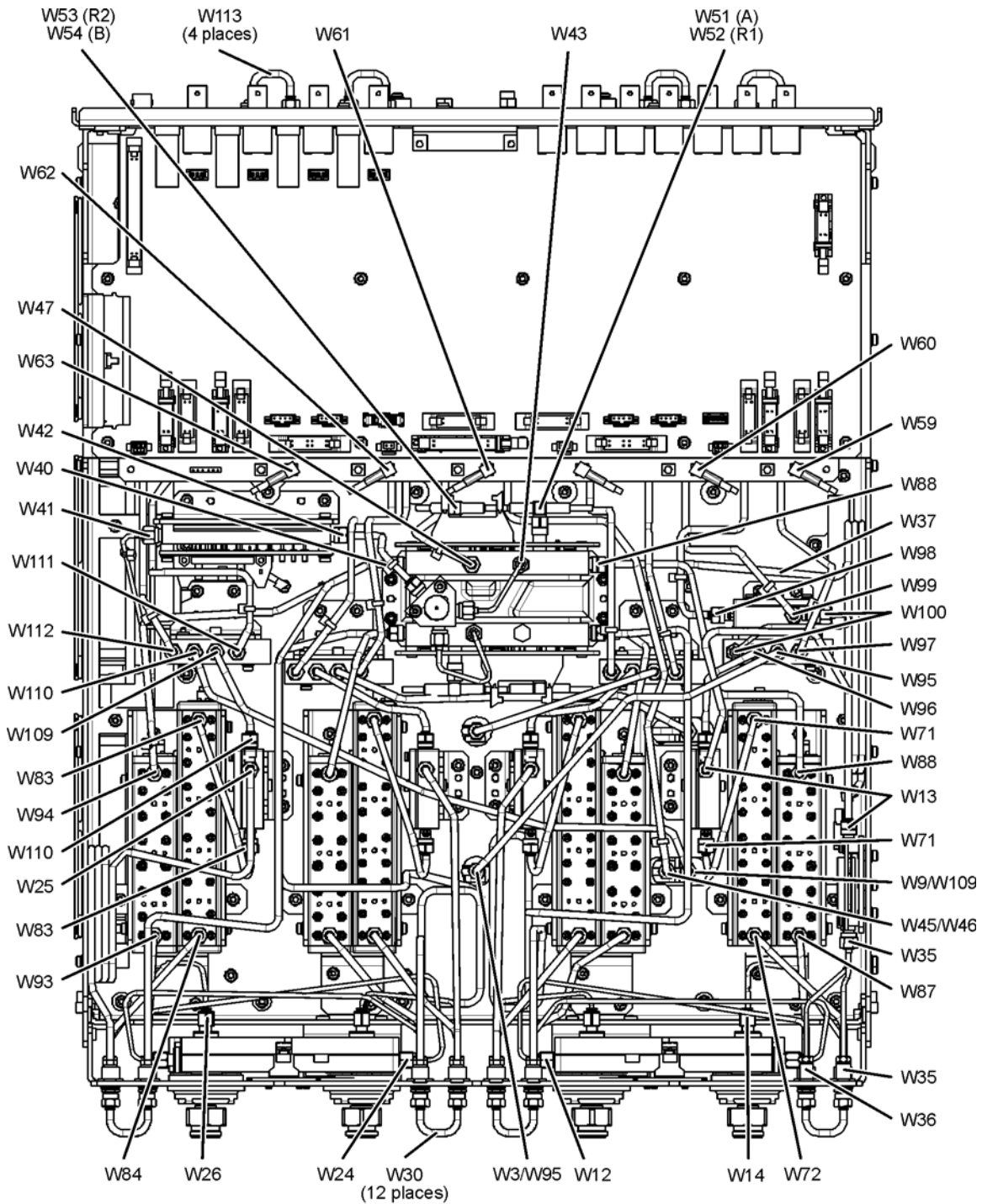
n5242_001_666

Bottom RF Cables, 4-Port, Options 400/419/423/H85 (Ports 1 and 2)

Reference Designator	Type ^a	Part Number	Qty	Description
W3	SR	N5242-20091	1	A5 source (1) to W95
W9	SR	N5242-20092	1	A5 source (1) to W109
W12	SR	N5242-20055	1	A29 port 1 coupler to front-panel Port 1 CPLR THRU
W13	SR	N5242-20011	1	A25 port 1 bridge to A33 reference mixer switch
W14	SR	N5242-20040	1	A29 port 1 coupler to front-panel Port 1 CPLR ARM
W24	SR	N5242-20063	1	A32 port 2 coupler to front-panel Port 2 CPLR THRU
W25	SR	N5242-20048	1	A28 port 2 bridge to front-panel REF 2 SOURCE OUT
W26	SR	N5242-20044	1	A32 port 2 coupler to front-panel Port 2 CPLR ARM
W30	SR	E8356-20072	12	Front panel jumper
W35	SR	N5242-20043	1	A33 reference mixer switch to front-panel REF 1 SOURCE OUT
W36	SR	N5242-20042	1	REF 1 RCVR R1 IN to A33 reference mixer switch
W37	SR	N5242-20009	1	A33 reference mixer switch to A23 mixer brick (R1)
W40	SR	N5242-20049	1	REF 2 RCVR R2 IN to A23 mixer brick (R2)
W41	SR	N5242-20110	1	A11 13.5 GHz synthesizer to A21 HMA26.5
W42	SR	N5242-20015	1	A21 HMA26.5 to A22 splitter
W43	SR	N5242-20013	1	A22 splitter to A23 mixer brick
W45	SR	N5242-20093	1	A5 source (1) to W46
W46	SR	N5242-20090	1	W46 to rear-panel EXT TSET DRIVE RF OUT (J6)
W47	SR	N5242-20089	1	A23 mixer brick to EXT TSET DRIVE LO OUT (J5)
W51	F	N5242-60017	1	A23 mixer brick (A) to A20 IF multiplexer (P1)
W52	F	N5242-60021	1	A23 mixer brick (R1) to A20 IF multiplexer (P411)
W53	F	N5242-60022	1	A23 mixer brick (R2) to A20 IF multiplexer (P412)
W54	F	N5242-60018	1	A23 mixer brick (B) to A20 IF multiplexer (P201)
W59	F	N5242-60012	1	A20 IF multiplexer (P3) to A12 SPAM (J1)
W60	F	N5242-60013	1	A20 IF multiplexer (P203) to A12 SPAM (J2)
W61	F	N5242-60014	1	A20 IF multiplexer (P403) to A12 SPAM (J4)
W62	F	N5242-60015	1	A20 IF multiplexer (P603) to A12 SPAM (J5)
W63	F	N5242-60016	1	A20 IF multiplexer (P803) to A12 SPAM (J6)
W71	SR	N5242-20005	1	A25 port 1 bridge to A34 port 1 source attenuator
W72	SR	N5242-20038	1	A34 port 1 source attenuator to front-panel Port 1 SOURCE OUT
W83	SR	N5242-20002	1	A28 port 2 bridge to A37 port 2 source attenuator
W84	SR	N5242-20046	1	A37 port 2 source attenuator to front-panel Port 2 SOURCE OUT
W87	SR	N5242-20041	1	Port 1 RCVR A IN to A42 port 1 receiver attenuator
W88	SR	N5242-20010	1	A42 port 1 receiver attenuator to A23 mixer brick (A)
W93	SR	N5242-20047	1	Port 2 RCVR B IN to A45 port 2 receiver attenuator
W94	SR	N5242-20016	1	A45 port 2 receiver attenuator to A23 mixer brick (B)
W95	SR	N5242-20020	1	W3 to A46 port 1 mechanical switch
W96	SR	N5242-20007	1	A46 port 1 mechanical switch to A25 port 1 bridge
W97	SR	N5242-20086	1	A46 port 1 mechanical switch to PORT 1 SW SRC OUT (J11)
W98	SR	N5242-20087	1	Rear-panel PORT 1 COMB THRU IN (J10) to A50 combiner
W99	SR	N5242-20088	1	Rear-panel PORT 1 COMB ARM IN (J9) to A50 combiner
W100	SR	N5242-20008	1	A50 combiner to A46 port 1 mechanical switch
W109	SR	N5242-20019	1	W9 to A49 port 2 mechanical switch
W110	SR	N5242-20004	1	A49 port 2 mechanical switch to A28 port 2 bridge
W111	SR	N5242-20084	1	A49 port 2 mechanical switch to PORT 2 SW SRC OUT (J2)
W112	SR	N5242-20085	1	Rear-panel PORT 2 SW TSET IN (J1) to A49 port 2 mechanical switch
W113	SR	E8356-20072	4	Rear panel jumper

a. SR = semirigid coaxial cable; F = flexible coaxial cable

Figure 6-61 Bottom RF Cables, 4-Port, Options 400/419/423/H85 (Ports 1 and 2)



(Some parts removed for clarity.)

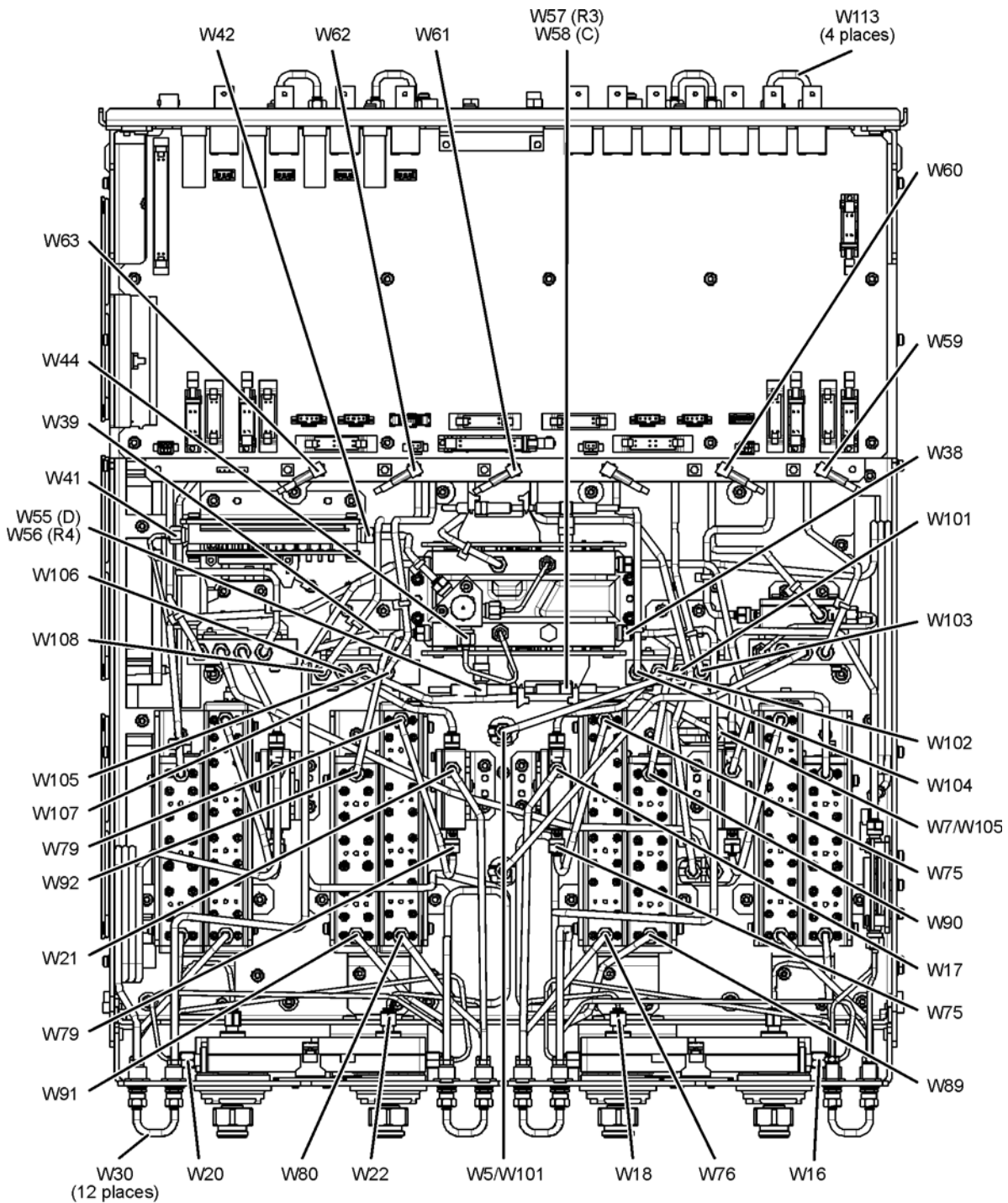
n5242_001_667

Bottom RF Cables, 4-Port, Options 400/419/423/H85 (Ports 3 and 4)

Reference Designator	Type ^a	Part Number	Qty	Description
W5	SR	N5242-20091	1	A8source (2) to W101
W7	SR	N5242-20092	1	A8 source (2) to W105
W16	SR	N5242-20059	1	A3 port 3 coupler to front-panel Port 3 CPLR THRU
W17	SR	N5242-20033	1	A26 port 3 bridge to front-panel REF 3 SOURCE OUT
W18	SR	N5242-20025	1	A30 port 3 coupler to front-panel Port 3 CPLR ARM
W20	SR	N5242-20064	1	A31 port 4 coupler to front-panel Port 4 CPLR THRU
W21	SR	N5242-20035	1	A27 port 4 bridge to front-panel REF 4 SOURCE OUT
W22	SR	N5242-20028	1	A31 port 4 coupler to front-panel Port 4 CPLR ARM
W30	SR	E8356-20072	12	Front panel jumper
W38	SR	N5242-20034	1	REF 3 RCVR R3 IN to A24 mixer brick (R3)
W39	SR	N5242-20037	1	REF 4 RCVR R4 IN to A24 mixer brick (R4)
W41	SR	N5242-20110	1	A11 13.5 GHz synthesizer to A21 HMA26.5
W42	SR	N5242-20015	1	A21 HMA26.5 to A22 splitter
W44	SR	N5242-20014	1	A22 splitter to A24 mixer brick
W55	F	N5242-60024	1	A24 mixer brick (D) to A20 IF multiplexer (P801)
W56	F	N5242-60019	1	A24 mixer brick (R4) to A20 IF multiplexer (P414)
W57	F	N5242-60020	1	A24 mixer brick (R3) to A20 IF multiplexer (P413)
W58	F	N5242-60023	1	A24 mixer brick (C) to A20 IF multiplexer (P601)
W59	F	N5242-60012	1	A20 IF multiplexer (P3) to A12 SPAM (J1)
W60	F	N5242-60013	1	A20 IF multiplexer (P203) to A12 SPAM (J2)
W61	F	N5242-60014	1	A20 IF multiplexer (P403) to A12 SPAM (J4)
W62	F	N5242-60015	1	A20 IF multiplexer (P603) to A12 SPAM (J5)
W63	F	N5242-60016	1	A20 IF multiplexer (P803) to A12 SPAM (J6)
W75	SR	N5242-20005	1	A26 port 3 bridge to A35 port 3 source attenuator
W76	SR	N5242-20029	1	A35 port 3 source attenuator to front-panel Port 3 SOURCE OUT
W79	SR	N5242-20002	1	A27 port 4 bridge to A36 port 4 source attenuator
W80	SR	N5242-20030	1	A36 port 4 source attenuator to front-panel Port 4 SOURCE OUT
W89	SR	N5242-20031	1	Port 3 RCVR C IN to A43 port 3 receiver attenuator
W90	SR	N5242-20012	1	A43 port 3 receiver attenuator to A24 mixer brick (C)
W91	SR	N5242-20032	1	Port 4 RCVR D IN to A44 port 4 receiver attenuator
W92	SR	N5242-20036	1	A44 port 4 receiver attenuator to A24 mixer brick (D)
W101	SR	N5242-20017	1	W5 to A47 port 3 mechanical switch
W102	SR	N5242-20006	1	A47 port 3 mechanical switch to A26 port 3 bridge
W103	SR	N5242-20081	1	A47 port 3 mechanical switch to PORT 3 SW SRC OUT (J8)
W104	SR	N5242-20080	1	Rear-panel PORT 3 SW TSET IN (J7) to A47 port 3 mechanical switch
W105	SR	N5242-20018	1	W7 to A48 port 4 mechanical switch
W106	SR	N5242-20003	1	A48 port 4 mechanical switch to A27 port 4 bridge
W107	SR	N5242-20082	1	A48 port 4 mechanical switch to PORT 4 SW SRC OUT (J4)
W108	SR	N5242-20083	1	Rear-panel PORT 4 SW TSET IN (J3) to A48 port 4 mechanical switch
W113	SR	E8356-20072	1	Rear panel jumper

a. SR = semirigid coaxial cable; F = flexible coaxial cable

Figure 6-62 Bottom RF Cables, 4-Port, Options 400/419/423/H85 (Ports 3 and 4)



(Some parts removed for clarity.)

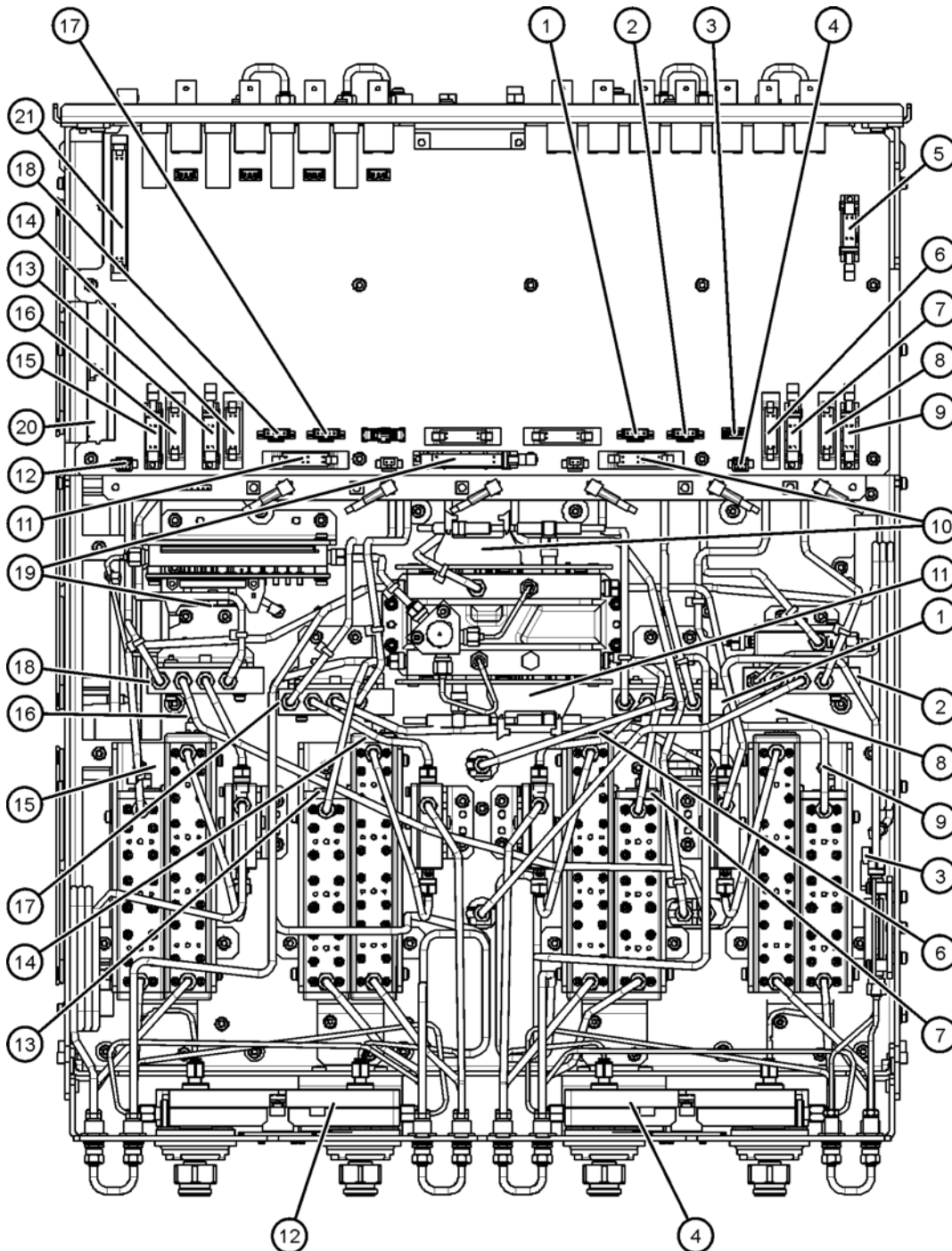
n5242_001_668

Bottom Ribbon Cables and Wire Harnesses, 4-Port, Options 400/419/423/H85

Reference Designator	Type ^a	Part Number	Description
①	4W	N5242-60003	A19 test set motherboard J102 to A47 port 3 mechanical switch
②	4W	N5242-60003	A19 test set motherboard J101 to A46 port 1 mechanical switch
③	4W	N5242-60002	A19 test set motherboard J3 to A33 reference mixer switch
④	3W	N5242-60009	A19 test set motherboard J221 to ports 1/3 LED board J1
⑤	10R	N5242-60005	Rear-panel PWR I/O to A19 test set motherboard J301
⑥	14R	N5242-60008	A19 test set motherboard J202 to A35 port 3 source attenuator
⑦	10R	N5242-60007	A19 test set motherboard J206 to A43 port 3 receiver attenuator
⑧	14R	N5242-60008	A19 test set motherboard J201 to A34 port 1 source attenuator
⑨	10R	N5242-60007	A19 test set motherboard J205 to A42 port 1 receiver attenuator
⑩	16R	N5242-60006	A19 test set motherboard J212 to A23 mixer brick (1)
⑪	16R	N5242-60006	A19 test set motherboard J213 to A24 mixer brick (2)
⑫	3W	N5242-60009	A19 test set motherboard J222 to ports 2/4 LED board J1
⑬	10R	N5242-60007	A19 test set motherboard J207 to A44 port 4 receiver attenuator
⑭	14R	N5242-60008	A19 test set motherboard J203 to A36 port 4 source attenuator
⑮	10R	N5242-60007	A19 test set motherboard J208 to A45 port 2 receiver attenuator
⑯	14R	N5242-60008	A19 test set motherboard J204 to A37 port 2 source attenuator
⑰	4W	N5242-60003	A19 test set motherboard J103 to A48 port 4 mechanical switch
⑱	4W	N5242-60003	A19 test set motherboard J104 to A49 port 2 mechanical switch
⑲	24R	N5242-60011	A19 test set motherboard J209 to A21 HMA26.5
⑳	100R	N5242-60004	A14 system motherboard J1 to A19 test set motherboard J1 to A20 IF multiplexer board J1
㉑	36R	8121-0834	Rear-panel HANDLER I/O to A19 test set motherboard J400

a. nR = n wires in a ribbon (flat) cable; nW = n wires in a wire harness

Figure 6-63 Bottom Ribbon Cables and Wire Harnesses, 4-Port, Options 400/419/423/H85



(Some parts removed for clarity.)

n5242_001_669

4-Port Configuration, Options 400/419/423/029/H85

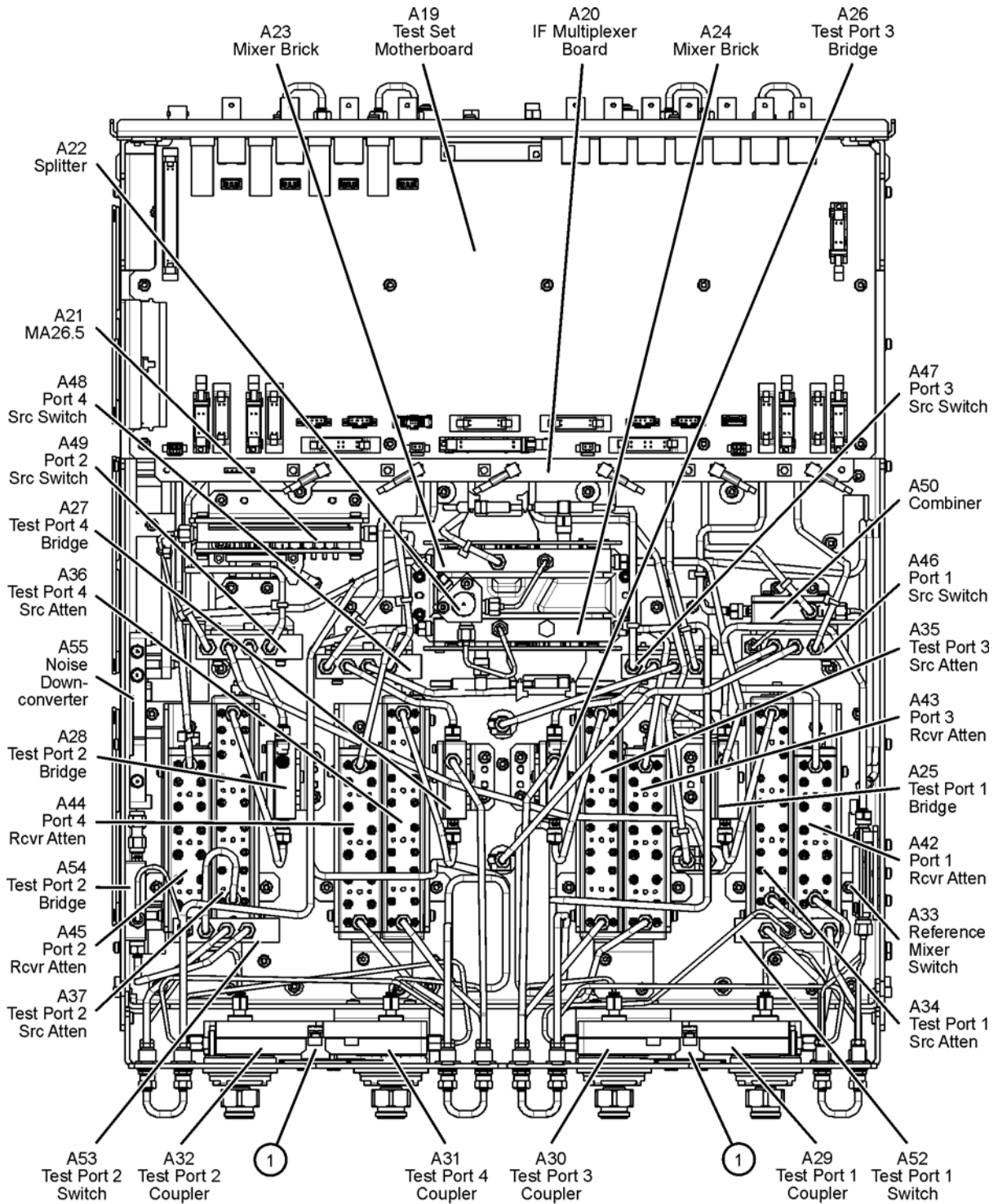
Bottom Assemblies, 4-Port, Options 400/419/423/029/H85

Reference Designator	Part Number ^a	Qty	Description
A19	N5245-60003 was N5240-60043	1	Test set motherboard
A20	N5240-60062 Was N5240-60045	1	IF multiplexer board
A21	5087-7711	1	LO Multiplier/amplifier 26.5 (HMA26.5)
A22	5087-7139 5087-6139	1	Splitter
A23 A24	5087-7722 was 5087-7308	2	Mixer brick
A25 A26 A27 A28	5087-7315	4	Test port 1 bridge Test port 3 bridge Test port 4 bridge Test port 2 bridge
A29 A30 A31 A32	5087-7710	4	Test port 1 coupler Test port 3 coupler Test port 4 coupler Test port 2 coupler
A33	N5240-60048	1	Reference mixer switch
A34 A35 A36 A37	33321-60070	4	Test port 1 source attenuator Test port 3 source attenuator Test port 4 source attenuator Test port 2 source attenuator
A42 A43 A44 A45	33321-60066	4	Port 1 receiver attenuator Port 3 receiver attenuator Port 4 receiver attenuator Port 2 receiver attenuator
A46 A47 A48 A49	N1811-60028 Was N1811-60006	4	Port 1 mechanical switch Port 3 mechanical switch Port 4 mechanical switch Port 2 mechanical switch
A50	5087-7315	1	Combiner
A52	N1811-60030 Was N1811-60008	1	Test port 1 noise bypass switch (Option 029 only)
A53	N1811-60028 Was N1811-60006	1	Test port 2 noise bypass switch (Option 029 only)
A54	5087-7729 Was 5087-7315	1	Test port 2 bridge (Option 029 only)
A55	5087-7767 Was 5087-7316	1	Noise downconverter (Option 029 only)

Reference Designator	Part Number ^a	Qty	Description
①	N5240-60058 Was N5240-60051	2	Front panel LED board

a. Part numbers in *italic* typeface are for rebuilt exchange assemblies. Refer to [“Rebuilt-Exchange Assemblies”](#) on page 6-5.

Figure 6-64 Bottom Assemblies, 4-Port, Options 400/419/423/029/H85



(Some parts removed for clarity.)

n5242_001_670

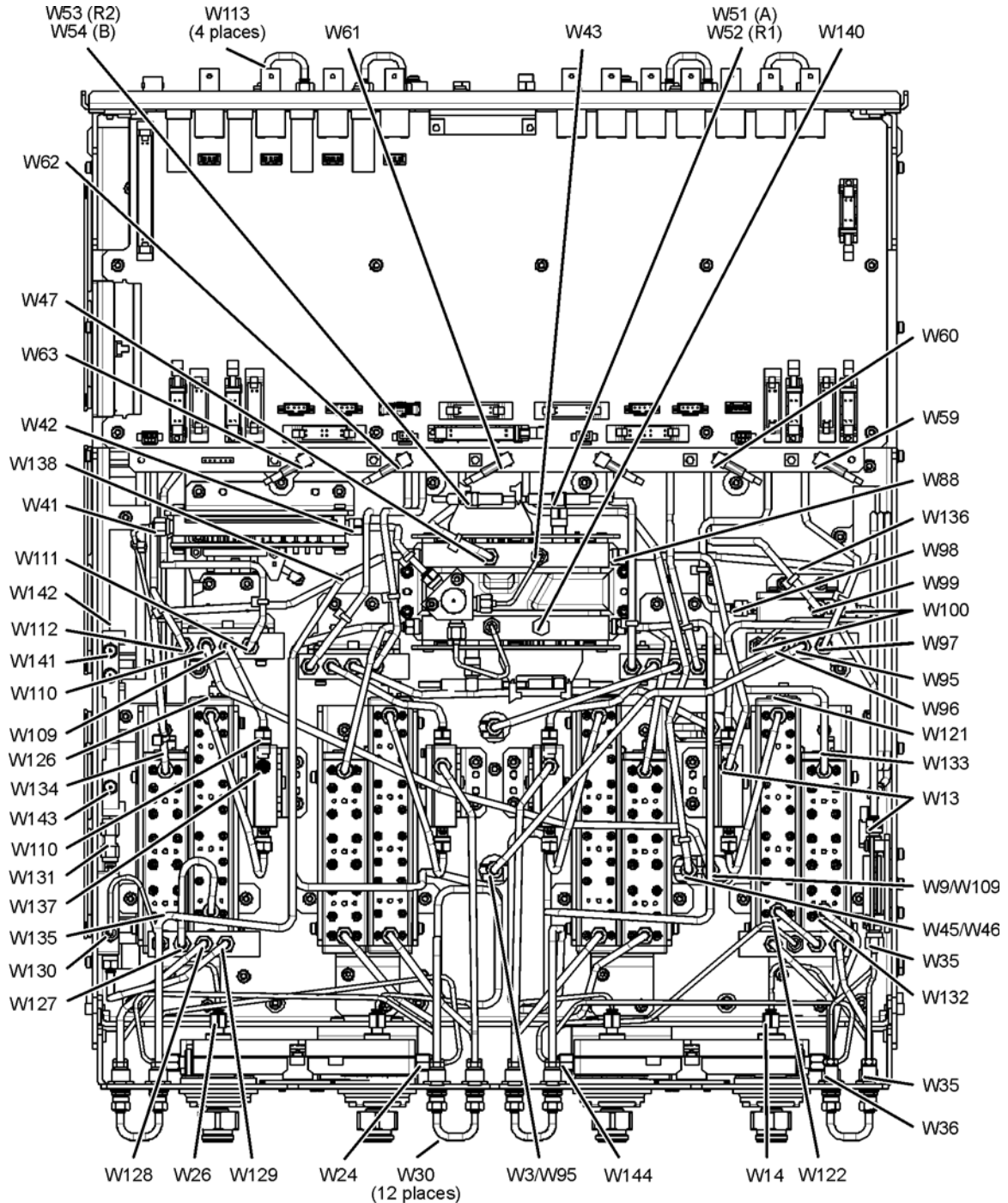
Bottom RF Cables, 4-Port, Options 400/419/423/029/H85 (Ports 1 and 2)

Reference Designator	Type ^a	Part Number	Qty	Description
W3	SR	N5242-20091	1	A5 source (1) to W95
W9	SR	N5242-20092	1	A5 source (1) to W109
W13	SR	N5242-20011	1	A25 port 1 bridge to A33 reference mixer switch
W14	SR	N5242-20040	1	A29 port 1 coupler to front-panel Port 1 CPLR ARM
W24	SR	N5242-20063	1	A32 port 2 coupler to front-panel Port 2 CPLR THRU
W26	SR	N5242-20044	1	A32 port 2 coupler to front-panel Port 2 CPLR ARM
W30	SR	E8356-20072	12	Front panel jumper
W35	SR	N5242-20043	1	A33 reference mixer switch to front-panel REF 1 SOURCE OUT
W36	SR	N5242-20042	1	REF 1 RCVR R1 IN to A33 reference mixer switch
W41	SR	N5242-20110	1	A11 13.5 GHz synthesizer to A21 HMA26.5
W42	SR	N5242-20015	1	A21 HMA26.5 to A22 splitter
W43	SR	N5242-20013	1	A22 splitter to A23 mixer brick
W45	SR	N5242-20093	1	A5 source (1) to W46
W46	SR	N5242-20090	1	W46 to rear-panel EXT TSET DRIVE RF OUT (J6)
W47	SR	N5242-20089	1	A23 mixer brick to EXT TSET DRIVE LO OUT (J5)
W51	F	N5242-60017	1	A23 mixer brick (A) to A20 IF multiplexer (P1)
W52	F	N5242-60021	1	A23 mixer brick (R1) to A20 IF multiplexer (P411)
W53	F	N5242-60022	1	A23 mixer brick (R2) to A20 IF multiplexer (P412)
W54	F	N5242-60018	1	A23 mixer brick (B) to A20 IF multiplexer (P201)
W59	F	N5242-60012	1	A20 IF multiplexer (P3) to A12 SPAM (J1)
W60	F	N5242-60013	1	A20 IF multiplexer (P203) to A12 SPAM (J2)
W61	F	N5242-60014	1	A20 IF multiplexer (P403) to A12 SPAM (J4)
W62	F	N5242-60015	1	A20 IF multiplexer (P603) to A12 SPAM (J5)
W63	F	N5242-60016	1	A20 IF multiplexer (P803) to A12 SPAM (J6)
W95	SR	N5242-20020	1	W3 to A46 port 1 mechanical switch
W96	SR	N5242-20007	1	A46 port 1 mechanical switch to A25 port 1 bridge
W97	SR	N5242-20086	1	A46 port 1 mechanical switch to PORT 1 SW SRC OUT (J11)
W98	SR	N5242-20087	1	Rear-panel PORT 1 COMB THRU IN (J10) to A50 combiner
W99	SR	N5242-20088	1	Rear-panel PORT 1 COMB ARM IN (J9) to A50 combiner
W100	SR	N5242-20008	1	A50 combiner to A46 port 1 mechanical switch
W109	SR	N5242-20019	1	W9 to A49 port 2 mechanical switch
W110	SR	N5242-20004	1	A49 port 2 mechanical switch to A28 port 2 bridge
W111	SR	N5242-20084	1	A49 port 2 mechanical switch to PORT 2 SW SRC OUT (J2)
W112	SR	N5242-20085	1	Rear-panel PORT 2 SW TSET IN (J1) to A49 port 2 mechanical switch
W113	SR	E8356-20072	4	Rear panel jumper
W121	SR	N5242-20067	1	A25 port 1 bridge to A34 port 1 source attenuator
W122	SR	N5242-20147 Was N5242-20128	1	A34 port 1 source attenuator to A52 port 1 noise bypass switch
W123	SR	N5242-20127	1	A52 port 1 noise bypass switch to frnt pnl Port 1 SOURCE OUT
W124	SR	N5242-20125	1	Front-panel Port 1 CPLR THRU to A52 port 1 bypass switch
W126	SR	N5242-20066	1	A28 port 2 bridge to A37 port 2 source attenuator
W127	SR	N5242-20116	1	A37 port 2 source attenuator to A53 port 2 noise bypass switch
W128	SR	N5242-20134	1	A53 port 2 noise bypass switch to frnt pnl Port 2 SOURCE OUT
W129	SR	N5242-20117	1	A53 port 2 noise bypass switch to A54 port 2 bridge
W130	SR	N5242-20148	1	A53 port 2 noise bypass switch to A54 port 2 bridge
W131	SR	1250-3576	1	Adapter, coax, straight, m-m, 50 ohm
W132	SR	N5242-20072	1	Front-panel Port 1 RCVR A IN to A42 port 1 receiver attenuator
W133	SR	N5242-20069	1	A42 port 1 receiver attenuator to A23 mixer brick (A)
W134	SR	N5242-20070	1	A45 port 2 receiver attenuator to A23 mixer brick (B)
W135	SR	N5242-20073	1	Front-panel Port 2 RCVR B IN to A45 port 2 receiver attenuator
W136	SR	N5242-20068	1	A33 reference mixer switch to A23 mixer brick (R1)
W137	SR	N5242-20074	1	A28 port 2 bridge to front-panel REF 2 SOURCE OUT
W138	SR	N5242-20075	1	Front-panel REF 2 RCVR R2 IN to A23 mixer brick (R2)
W140	SR	N5242-20118	1	A24 mixer brick to A55 noise downconverter
W141	SR	N5242-20129	1	A55 noise downconverter to A7 noise receiver board LO
W142	F	N5242-60041	1	A55 noise downconverter J4 to A7 noise receiver board J9

Reference Designator	Type ^a	Part Number	Qty	Description
W143	SR	N5242-20130	1	A55 noise downconverter to A7 noise receiver board RF
W144	SR	N5242-20144	1	A52 port 1 noise bypass switch to A29 port 1 coupler

a. SR = semirigid coaxial cable; F = flexible coaxial cable

Figure 6-65 Bottom RF Cables, 4-Port, Options 400/419/423/029/H85 (Ports 1 & 2)



(Some parts removed for clarity.)

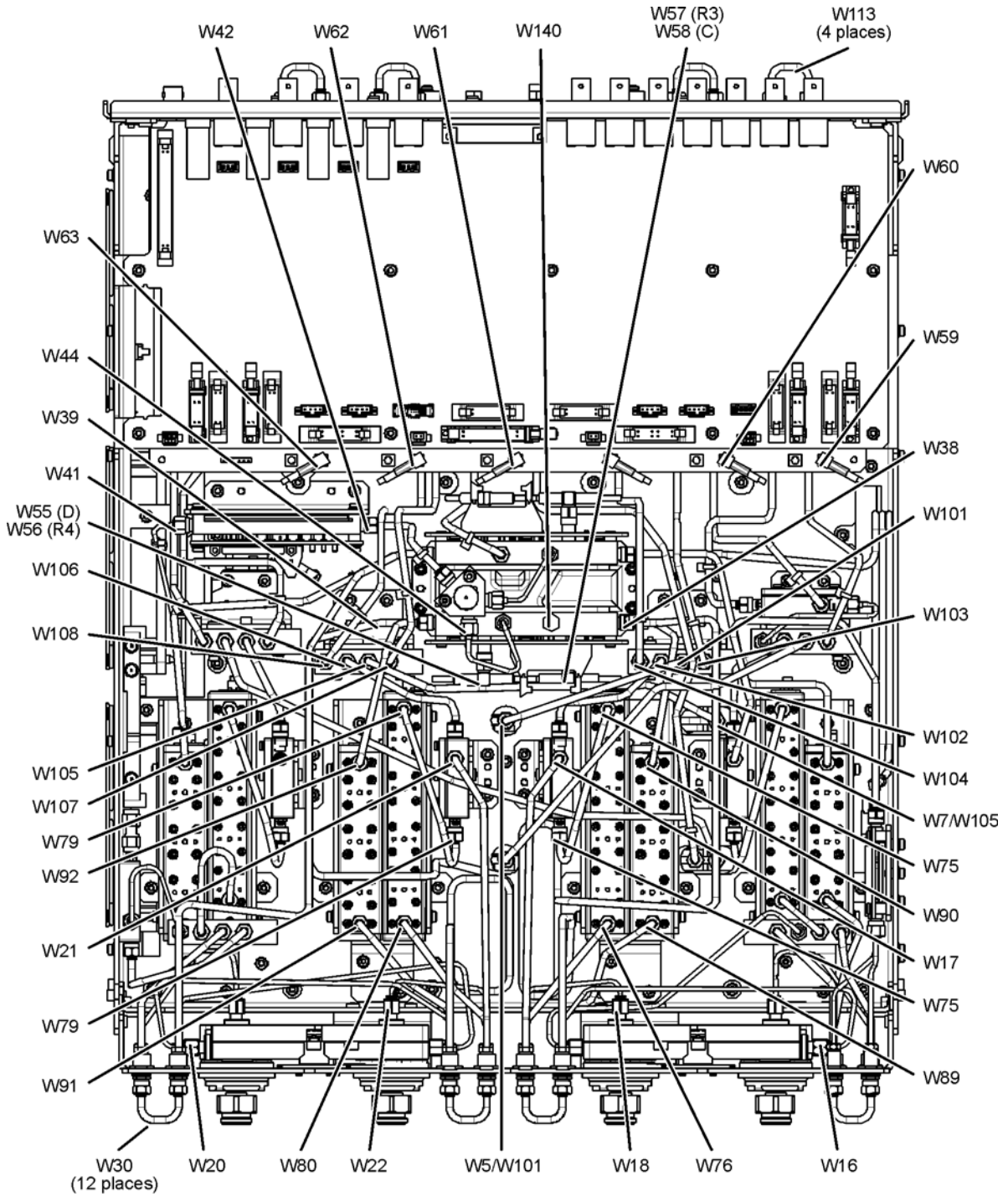
n5242_001_671

Bottom RF Cables, 4-Port, Options 400/419/423/029/H85 (Ports 3 and 4)

Reference Designator	Type ^a	Part Number	Qty	Description
W5	SR	N5242-20091	1	A8 source (2) to W101
W7	SR	N5242-20092	1	A8 source (2) to W105
W16	SR	N5242-20059	1	A30 port 3 coupler to front-panel port 3 CPLR THRU
W17	SR	N5242-20033	1	A26 port 3 bridge to front-panel REF 3 SOURCE OUT
W18	SR	N5242-20025	1	A30 port 3 coupler to front-panel Port 3 CPLR ARM
W20	SR	N5242-20064	1	A31 port 4 coupler to front-panel port 4 CPLR THRU
W21	SR	N5242-20035	1	A27 port 4 bridge to front-panel REF 4 SOURCE OUT
W22	SR	N5242-20028	1	A31 port 4 coupler to front-panel Port 4 CPLR ARM
W30	SR	E8356-20072	12	Front panel jumper
W38	SR	N5242-20034	1	REF 3 RCVR R3 IN to A24 mixer brick (R3)
W39	SR	N5242-20037	1	REF 4 RCVR R4 IN to A24 mixer brick (R4)
W41	SR	N5242-20110	1	A11 13.5 GHz synthesizer to A21 HMA26.5
W42	SR	N5242-20015	1	A21 HMA26.5 to A22 splitter
W44	SR	N5242-20014	1	A22 splitter to A24 mixer brick
W55	F	N5242-60024	1	A24 mixer brick (D) to A20 IF multiplexer (P801)
W56	F	N5242-60019	1	A24 mixer brick (R4) to A20 IF multiplexer (P414)
W57	F	N5242-60020	1	A24 mixer brick (R3) to A20 IF multiplexer (P413)
W58	F	N5242-60023	1	A24 mixer brick (C) to A20 IF multiplexer (P601)
W59	F	N5242-60012	1	A20 IF multiplexer (P3) to A12 SPAM (J1)
W60	F	N5242-60013	1	A20 IF multiplexer (P203) to A12 SPAM (J2)
W61	F	N5242-60014	1	A20 IF multiplexer (P403) to A12 SPAM (J4)
W62	F	N5242-60015	1	A20 IF multiplexer (P603) to A12 SPAM (J5)
W63	F	N5242-60016	1	A20 IF multiplexer (P803) to A12 SPAM (J6)
W75	SR	N5242-20005	1	A26 port 3 bridge to A35 port 3 source attenuator
W76	SR	N5242-20029	1	A35 port 3 source attenuator to front-panel Port 3 SOURCE OUT
W79	SR	N5242-20002	1	A27 port 4 bridge to A36 port 4 source attenuator
W80	SR	N5242-20030	1	A36 port 4 source attenuator to front-panel Port 4 SOURCE OUT
W89	SR	N5242-20031	1	Port 3 RCVR C IN to A43 port 3 receiver attenuator
W90	SR	N5242-20012	1	A43 port 3 receiver attenuator to A24 mixer brick (C)
W91	SR	N5242-20032	1	Port 4 RCVR D IN to A44 port 4 receiver attenuator
W92	SR	N5242-20036	1	A44 port 4 receiver attenuator to A24 mixer brick (D)
W101	SR	N5242-20017	1	W5 to A47 port 3 mechanical switch
W102	SR	N5242-20006	1	A47 port 3 mechanical switch to A26 port 3 bridge
W103	SR	N5242-20081	1	A47 port 3 mechanical switch to PORT 3 SW SRC OUT (J8)
W104	SR	N5242-20080	1	Rear-panel PORT 3 SW TSET IN (J7) to A47 port 3 mechanical switch
W105	SR	N5242-20018	1	W7 to A48 port 4 mechanical switch
W106	SR	N5242-20003	1	A48 port 4 mechanical switch to A27 port 4 bridge
W107	SR	N5242-20082	1	A48 port 4 mechanical switch to PORT 4 SW SRC OUT (J4)
W108	SR	N5242-20083	1	Rear-panel PORT 4 SW TSET IN (J3) to A48 port 4 mechanical switch
W113	SR	E8356-20072	1	Rear panel jumper
W140	SR	N5242-20118	1	A24 mixer brick to A55 noise downconverter

a. SR = semirigid coaxial cable; F = flexible coaxial cable

Figure 6-66 Bottom RF Cables, 4-Port, Options 400/419/423/029/H85 (Ports 3 and 4)



(Some parts removed for clarity.)

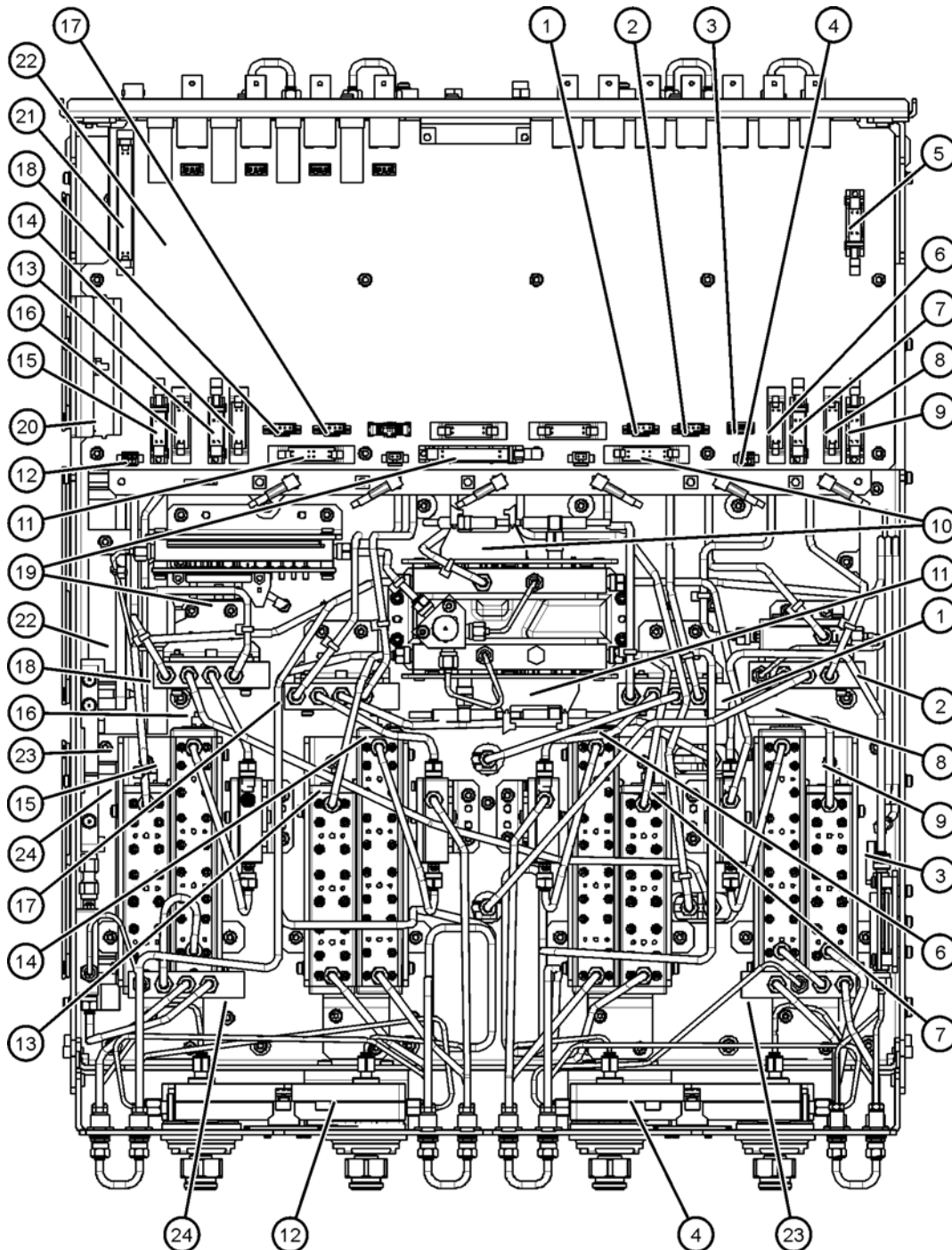
n5242_001_672

Bottom Ribbon Cables and Wire Harnesses, 4-Port, Options 400/419/423/029/H85

Reference Designator	Type ^a	Part Number	Description
①	4W	N5242-60003	A19 test set motherboard J102 to A47 port 3 mechanical switch
②	4W	N5242-60003	A19 test set motherboard J101 to A46 port 1 mechanical switch
③	4W	N5242-60002	A19 test set motherboard J3 to A33 reference mixer switch
④	3W	N5242-60009	A19 test set motherboard J221 to ports 1/3 LED board J1
⑤	10R	N5242-60005	Rear-panel PWR I/O to A19 test set motherboard J301
⑥	14R	N5242-60008	A19 test set motherboard J202 to A35 port 3 source attenuator
⑦	10R	N5242-60007	A19 test set motherboard J206 to A43 port 3 receiver attenuator
⑧	14R	N5242-60008	A19 test set motherboard J201 to A34 port 1 source attenuator
⑨	10R	N5242-60007	A19 test set motherboard J205 to A42 port 1 receiver attenuator
⑩	16R	N5242-60006	A19 test set motherboard J212 to A23 mixer brick (1)
⑪	16R	N5242-60006	A19 test set motherboard J213 to A24 mixer brick (2)
⑫	3W	N5242-60009	A19 test set motherboard J222 to ports 2/4 LED board J1
⑬	10R	N5242-60007	A19 test set motherboard J207 to A44 port 4 receiver attenuator
⑭	14R	N5242-60008	A19 test set motherboard J203 to A36 port 4 source attenuator
⑮	10R	N5242-60007	A19 test set motherboard J208 to A45 port 2 receiver attenuator
⑯	14R	N5242-60008	A19 test set motherboard J204 to A37 port 2 source attenuator
⑰	4W	N5242-60003	A19 test set motherboard J103 to A48 port 4 mechanical switch
⑱	4W	N5242-60003	A19 test set motherboard J104 to A49 port 2 mechanical switch
⑲	24R	N5242-60011	A19 test set motherboard J209 to A21 HMA26.5
⑳	100R	N5242-60004	A14 system motherboard J1 to A19 test set motherboard J1 to A20 IF multiplexer board J1
㉑	36R	8121-0834	Rear-panel HANDLER I/O to A19 test set motherboard J400
㉒	30R	N5242-60033	A19 test set motherboard J548 to A55 noise downconverter J1
㉓	P/O A52 port 1 noise bypass switch. Refer to " Bottom Assemblies, 4-Port, Options 400/419/423 " on page 6-112.		
㉔	P/O A53 port 2 noise bypass switch. Refer to " Bottom Assemblies, 4-Port, Options 400/419/423 " on page 6-112.		

a. nR = n wires in a ribbon (flat) cable; nW = n wires in a wire harness

Figure 6-67 Bottom Ribbon Cables and Wire Harnesses, 4-Port, Options 400/419/423/029/H85



(Some parts removed for clarity.)

n5242_001_673

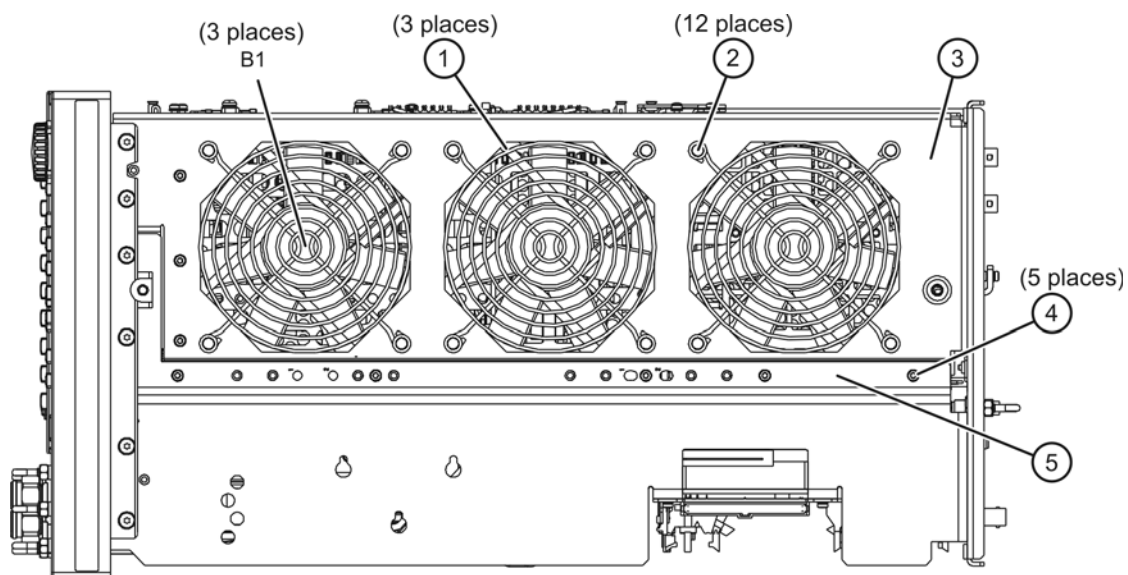
Rear Panel Assembly, All Options

Item Number	Part Number	Qty	Description
A17	CPU board. The 2.0 GHz CPU board is shown. Refer to “Top Assemblies and Cables, All Options” on page 6-14 for part number.		
A51	Hard disk drive assembly (HDDA) for 2.0 GHz A17 CPU board. Refer to “Top Assemblies and Cables, All Options” on page 6-14 for A51 part numbers.		
①	N5242-00022	1	Power supply rear panel (when 1.6 GHz CPU is installed)
	N5245-00028		Power supply rear panel (when 2.0 GHz CPU is installed)
②	0515-0372	28	Machine screw, M3.0 x 8, pan head
③	Rear foot and screw (Refer to “External Hardware and Miscellaneous Parts, All Options” on page 6-156.)		
④	6960-0149	1	Hole plug
⑤	N5242-00010	1	Rear panel
⑥	2190-0958 Was 2190-0034	2	Lock washer
⑦	0380-0644	2	Jack screw
⑧	2190-0584	6	Lock washer
⑨	0380-4670 Was 1251-7812	6	Jack screw
⑩	N5242-60005	1	PWR I/O cable assembly
⑪	1810-0118	3	Termination, 50 ohm load
⑫	8121-0834	1	HANDLER I/O cable assembly
⑬	2190-0068	11	Lock washer
⑭	2950-0054	11	Hex nut
⑮	Bottom foot (Refer to “External Hardware and Miscellaneous Parts, All Options” on page 6-156.)		
⑯	Rear panel jumper (Refer to “Bottom RF Cables, 4-Port, Options 400/419/423 (Ports 1 and 2)” on page 6-114 or “Bottom RF Cables, 2-Port, Options 200/219/224” on page 6-51.)		
⑰	2190-0102	2	Lock washer
⑱	2950-0035	2	Hex nut
⑲	6960-0076	2	Hole plug (For 2-port models only.)

Top Hardware and Miscellaneous Parts, All Options

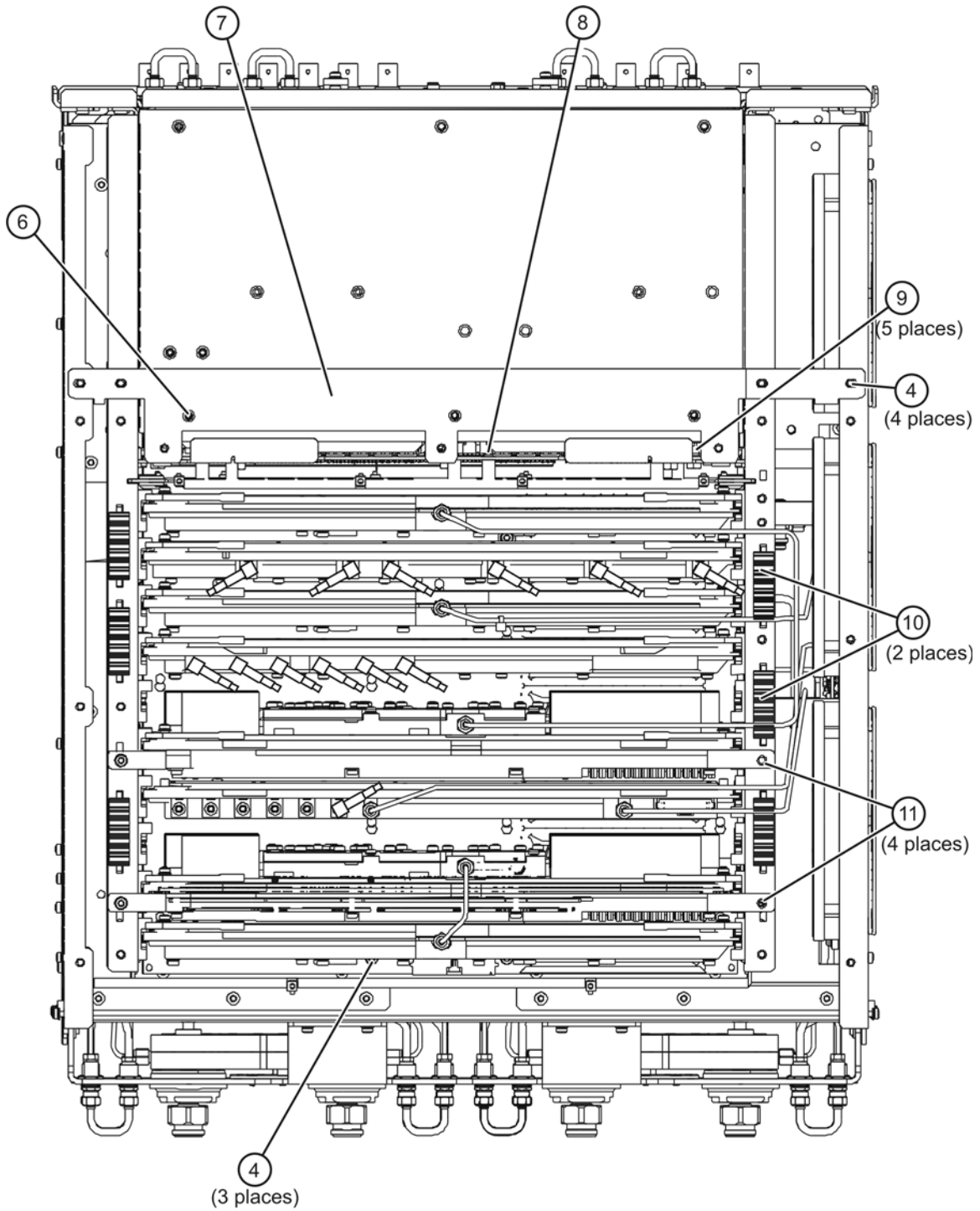
Reference Designator	Part Number	Qty	Description
B1	3160-4199	3	Fan
①	3160-4198	3	Fan guard
②	0361-1272	12	Fan rivet
③	N5242-00015	1	Fan bracket
④	0515-0372	12	Machine screw, M3.0 x 8, pan head (5 to attach fan bracket to chassis, 4 to attach power supply bracket to inner panels, left side bracket, and fan bracket, and 3 to attach A14 system motherboard to the chassis.)
⑤	Chassis (Refer to “Internal Hardware and Miscellaneous Parts, All Options” on page 6-154.)		
⑥	0515-1227	3	Machine screw, M3.0 x 6, flat head (To attach power supply bracket to power supply.)
⑦	W1312-00062	1	Power supply bracket
⑧	0515-0375	6	Machine screw, M3.0 x 16, pan head (To attach midplane board to midplane bracket.)
⑨	0400-0353	6	Midplane board grommets
⑩	5041-7250	2	Wire loom
⑪	0515-0380	4	Machine screw, M4.0 x 10, pan head (To attach A5 and A8 source boards to inner panels.)

Figure 6-69 Top Hardware and Miscellaneous Parts, Side View, All Options



n5242_001_622-1

Figure 6-70 Top Hardware and Miscellaneous Parts, Top View, All Options



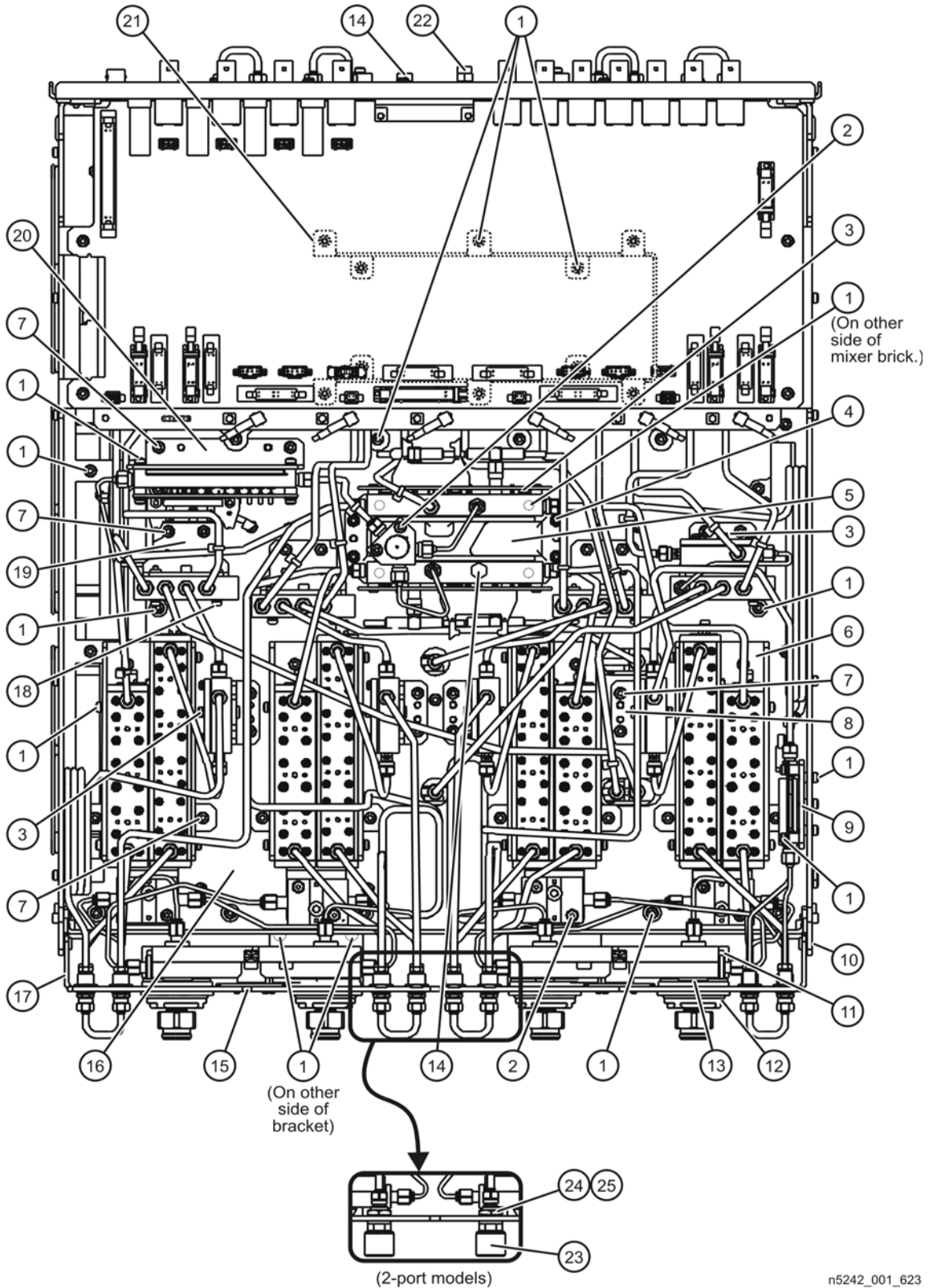
n5242_001_622-2

Bottom Hardware and Miscellaneous Parts

Bottom Hardware and Miscellaneous Parts, All Options Except 029

Reference Designator	Part Number	Qty	Description
①	0515-0372	-	Machine screw, M3.0 x 8, pan head (To attach: A19 test set motherboard to test set deck; A19 test set motherboard to stabilizer bracket; stabilizer bracket to A20 IF mux board; test set deck to chassis; A23–A24 mixer bricks to bottom of mixer brick mounting block; A21 HMA26.5 to its mounting bracket; A34–A37 source attenuators to their brackets; A42–A45 receiver attenuators to their brackets; A33 reference mixer switch to its bracket; reference mixer switch bracket to test set deck; test set front sub panel to test set deck front.)
②	0515-2994 Was 0515-0665	-	Machine screw M3.0 x 14 (To attach: splitter to top of mixer brick mounting block; A38–A41 bias tees to their brackets.)
③	0515-1410	-	Machine screw M3.0 x 20 pan head (To attach: mixer bricks to sides of mixer brick mounting block; A25–A28 bridges to their mounting brackets; A50 combiner to its bracket.)
④	0515-0374	-	Machine screw M3.0 x 10 pan head (To attach mixer brick mounting block.)
⑤	N5242-20103	1	Mounting block (For A23 and A24 mixer bricks.)
⑥	N5242-00007	1	Bracket (For A34–A37 source attenuators, A39–A41 bias tees, and A42–A45 receiver attenuators.)
⑦	0515-0430	-	Machine screw M3.0 x 6 pan head (To attach: bridge brackets to test set deck; attenuator brackets to test set deck; switch brackets to test set deck; HMA26.5 bracket to test set deck.)
⑧	N5242-00006	4	Bracket (For A25–A28 bridges.)
⑨	N5242-00011	1	Bracket (For A33 reference mixer switch.)
⑩	0515-1227	-	Machine screw, M3.0 x 6, flat head (To attach test set front sub panel)
⑪	0460-2725	2	Vibration mount (4-port only; between couplers 1 and 3, and 2 and 4)
⑫	5022-1087	4	Test port coupler dress nut (One for each coupler.)
⑬	E4403-20033	4	Gap pad; 4-port (Between each coupler and test set front sub panel.)
	0403-0285	2	Coupler bumper; 2-port (Between each coupler and test set front sub panel.)
⑭	0960-0055	2	Termination, male SMA short circuit
⑮	0515-1521	-	Machine screw, M3.0 x 5, flat head (To attach front panel LED boards.)
⑯	N5221-00005 Was N5242-00002	1	Test set deck
⑰	N5242-00018	1	Test set front sub panel, 2-port
	N5242-00003	1	Test set front sub panel, 4-port
⑱	0515-1992	-	Machine screw, M2.5 x 20, pan head (To attach A46–A49 bypass switches.)
⑲	N5242-00009	1	Bracket (For A46–A49 bypass switches and A50 combiner.)
⑳	N5242-00005	1	Bracket (For A21 HMA26.5.)
㉑	N5242-00019	1	Stabilizer bracket (Between A19 test set motherboard and A20 IF mux board.)
㉒	1810-0118	2	Termination, 50-ohm load (For J6 and J7.)
㉓	08673-60040	2	Bulkhead connector (2-port models only.)
㉔	2950-0001	2	Hex nut (For bulkhead connector.) (2-port models only.)
㉕	2190-0016	2	Lock washer (For bulkhead connector.) (2-port models only.)

Figure 6-71 Bottom Hardware and Miscellaneous Parts, All Options Except 029

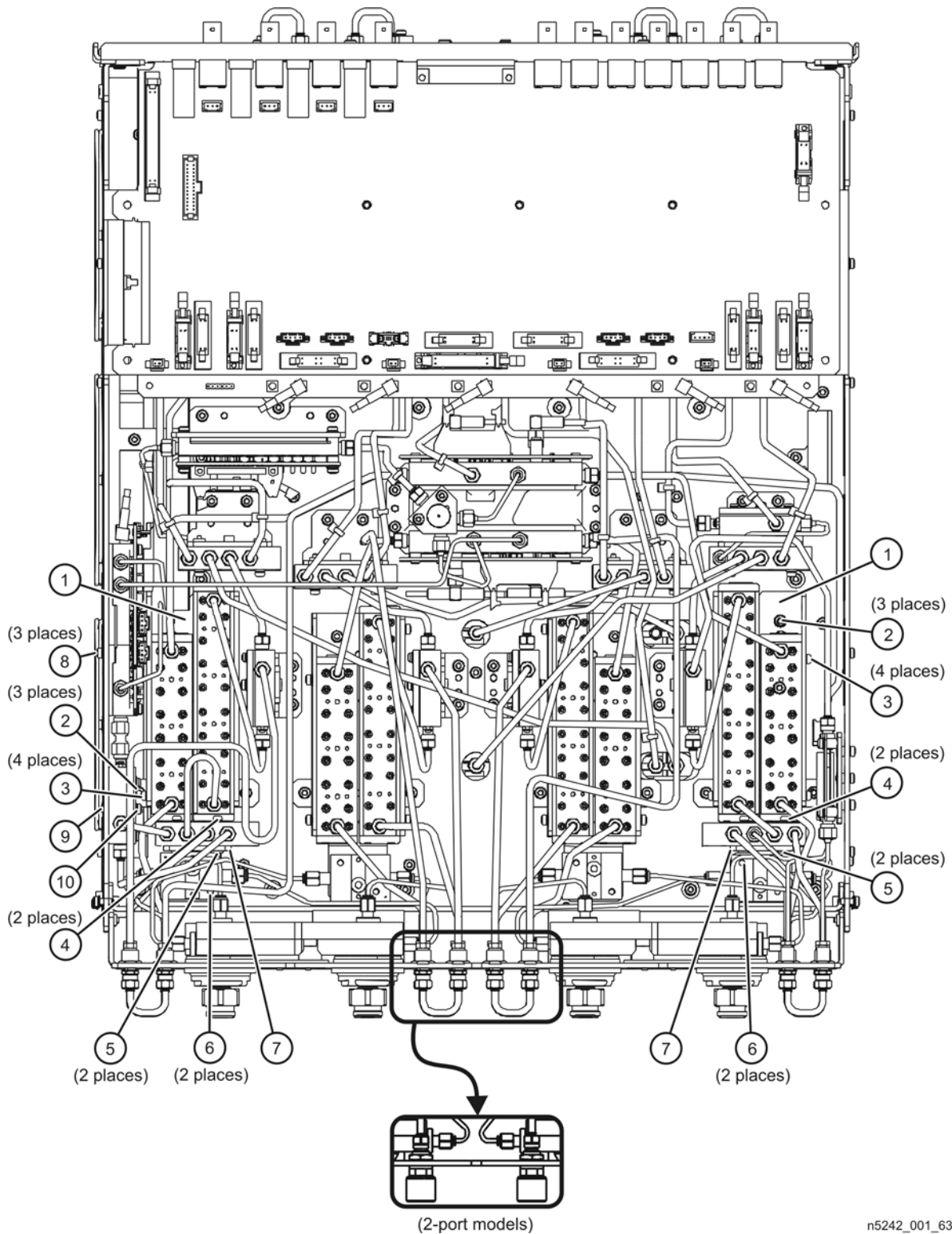


n5242_001_623

Bottom Hardware and Miscellaneous Parts, Option 029

Reference Designator	Part Number	Qty	Description
①	N5242-00031	2	Bracket (For A34 port 1 and A37 port 2 source attenuators, A42 port 1 and A45 port 2 receiver attenuators, and A52 port 1 and A53 port 2 noise bypass switches.)
②	0515-0430	6	Machine screw M3.0 x 6 pan head (To attach attenuator/switch brackets (item ①) to the test set deck.)
③	0515-0372	8	Machine screw M3.0 x 8 pan head (To attach A34 port 1 and A37 port 2 source attenuators and A42 port 1 and A45 port 2 receiver attenuators to their brackets.)
④	0515-0666	4	Machine screw M3.0 x 18 pan head (To attach A52 port 1 and A53 port 2 noise bypass switches to their brackets.)
⑤	0515-0430	4	Machine screw M3.0 x 6 pan head (To attach port 1 and port 2 bias tee brackets to the port 1 and port 2 switches.)
⑥	0515-2994 Was 0515-0665	4	Machine screw M3.0 x 14 pan head (To attach A38 port 1 and A41 port 2 bias tees to their brackets.)
⑦	N5242-00032	2	Bracket (For A38 port 1 and A41 port 2 bias tees.)
⑧	0515-0374	3	Machine screw M3.0 x 10 pan head (To attach A55 noise downconverter to side frame.)
⑨	0515-1410	1	Machine screw M3.0 x 20 pan head (To attach A54 bridge to side frame.)
⑩	0535-0031	4	Hex nut with lock washer (For screw (item ⑨) to attach A54 bridge to side frame.)

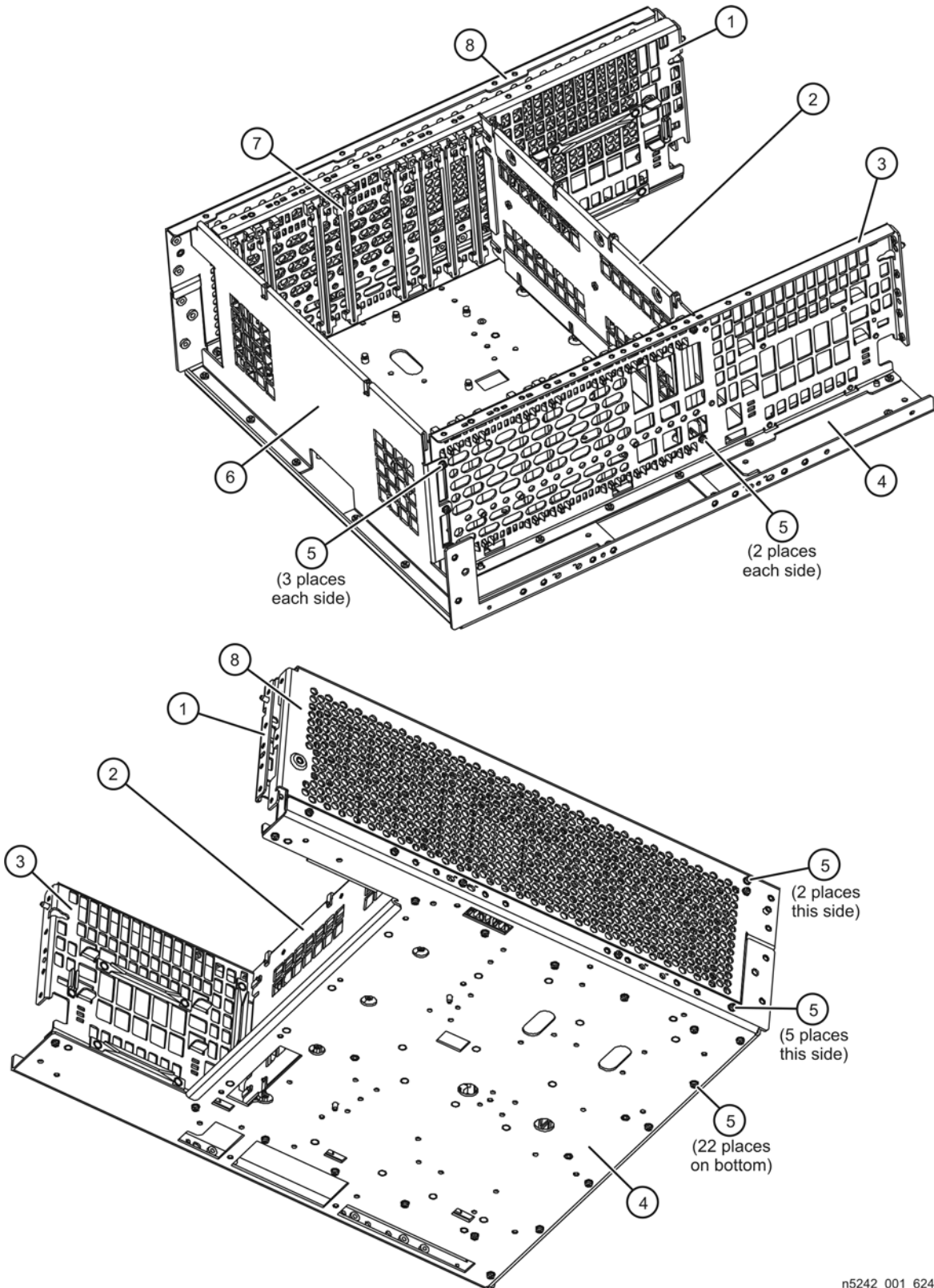
Figure 6-72 Bottom Hardware and Miscellaneous Parts, Option 029



Internal Hardware and Miscellaneous Parts, All Options

Reference Designator	Serial Number Prefixes Affected	Part Number	Qty	Description
①	MY/SG/US5201 and above	N5221-00003	1	Left side inner bracket
	MY/SG/US5150 and below	W1312-00051		
②	All prefixes	W1312-00048	1	Midplane bracket
③	MY/SG/US5201 and above	N5221-00002	1	Right side inner bracket
	MY/SG/US5150 and below	N5242-00033		
④	All prefixes	N5242-00001	1	Chassis
⑤	All prefixes	0515-0372	39	Machine screw, M3.0 x 8, pan head (4 to attach midplane bracket to left and right side inner brackets, 6 to attach front bracket to left and right side inner brackets, 2 to attach side bracket to front bracket, 5 to attach side bracket to chassis, 22 to attach chassis to left and right side inner brackets, midplane bracket, and front bracket.)
⑥	All prefixes	N5242-00017	1	Front bracket
⑦	All prefixes	N5242-40002	16	PC board guides
⑧	All prefixes	N5242-00016	1	Side bracket (left)

Figure 6-73 Internal Hardware and Miscellaneous Parts, All Options

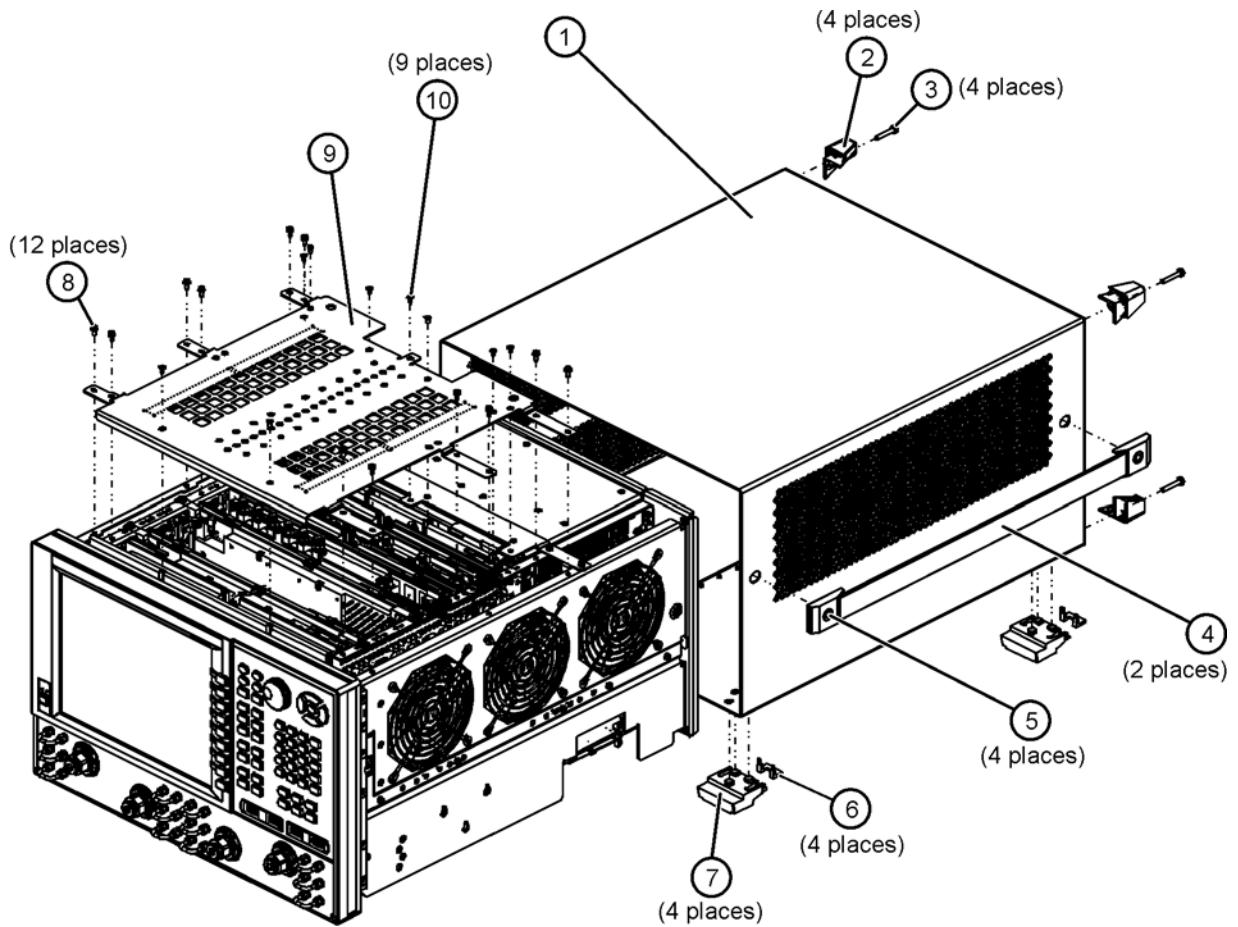


n5242_001_624

External Hardware and Miscellaneous Parts, All Options

Reference Designator	Serial Number Prefixes Affected	Part Number	Qty	Description
①	All prefixes	N5242-00014	1	Outer cover
②	All prefixes	5041-9611	4	Rear foot
③	All prefixes	0515-1619	4	Machine screw M4.0 x 25, pan head (To attach rear foot.)
④	All prefixes	N5242-60045 Was E8251-60067	2	Strap handle assembly (Includes item ⑤.)
⑤	All prefixes	0515-0710	4	Machine screw M5.0 x 18, flat head (To attach strap handle.)
⑥	All prefixes	5021-2840	4	Key lock (for bottom foot)
⑦	All prefixes	5041-9167	4	Bottom foot
	All prefixes	W1312-40032	4	Hole plug (When analyzer is rack mounted.)
⑧	All prefixes	0515-0372	12	Machine screw, M3.0 x 8, pan head (To attach inner cover.)
⑨	MY/SG/ US5201 and above	N5221-00001	1	Inner cover (retaining shield)
	MY/SG/ US5150 and below	N5242-00036		
⑩	All prefixes	0515-1227	9	Machine screw, M3.0 x 6, flat head (To attach inner cover.)
Not shown	All prefixes	N5245-40001	1	Front impact cover
Not shown	All prefixes	N5245-40002	1	Rear impact cover

Figure 6-74 External Hardware and Miscellaneous Parts, All Options



n5242_001_625

Miscellaneous Part Numbers

Table 6-3 Part Numbers for Miscellaneous Parts and Accessories

Description	Model or Part Number ^a
Service Tools	
1/4 inch and 5/16 inch open-end wrench, thin profile	8710-0510
5/16 inch (8 mm), open-end torque wrench; 0.9 N-m (8 in-lb)	8710-1765
20 mm open-end torque wrench; 0.9 N-m (8 in-lb)	8710-1764
Spanner wrench	08513-20014
ESD Supplies	
Adjustable antistatic wrist strap	9300-1367
Antistatic wrist strap grounding cord (5 foot length)	9300-0980
Static control table mat and earth ground wire	9300-0797
ESD heel strap	9300-1126
Documentation	
Installation and Quick Start Guide (for all PNA series analyzers) (Cannot be ordered. Part number is for reference only. Must be printed from the Agilent Web site. Refer to "Printing Copies of Documentation from the Web" on page iv.)	E8356-90001
Service Guide. (Not available in printed form. Part number is for reference only. Must be printed from the Agilent Web site. Refer to "Printing Copies of Documentation from the Web" on page iv.)	N5242-90001
USB Accessories	
Mouse	1150-7799
Keyboard (U.S. style)	1150-7896
USB to GPIB adapter	82357B
GPIB Cables/GPIB Adapter	
GPIB cable, 0.5 meter (1.6 feet)	10833D
GPIB cable, 1 meter (3.3 feet)	10833A
GPIB cable, 2 meter (6.6 feet)	10833B
GPIB cable, 4 meter (13.2 feet)	10833C
GPIB cable to GPIB cable adapter	10834A
Fuses	
Rear Panel Bias Input Fuse; Ports 1, 2, 3, and 4 (0.5 A, 125 V)	2110-0824 Was 2110-0046
Memory Modules	
1 GB module, DDR SDRAM, 166 MHz, 184-pin	1819-0329

Table 6-3 Part Numbers for Miscellaneous Parts and Accessories (Continued)

Description	Model or Part Number ^a
Battery	
Battery, lithium manganese dioxide, 3V, 0.22A-hr. (located on A17 CPU board assembly)	1420-0356
Upgrade Kits	
Time Domain (Option 010)	N5241A/42AU-010
Frequency Offset Measurements (Option 080)	N5241A/42AU-080
Scalar Calibrated Converter Measurements (Option 082)	N5241A/42AU-082
Vector and Scalar Calibrated Converter Measurements (Option 083)	N5241A/42AU-083
Bias Tees and Source and Receiver Attenuators for 2-Port Models (Option 200 to 219)	N5241A/42AU-921
2nd Internal Source, Combiner, and Mechanical Switches for 2-Port Models (Option 219 to 224)	N5241A/42AU-922
Noise Figure Measurements for 2-port models (Option 029)	N5241A/42AU-924
Bias Tees and Source and Receiver Attenuators for 4-Port Models (Option 400 to 419)	N5241A/42AU-926
Combiner and Mechanical Switches for 4-Port Models (Option 419 to 423)	N5241A/42AU-927
Noise Figure Measurements for 4-port models (Option 029)	N5241A/42AU-929
N-Port Calibrated Measurements (Option 551)	N5241A/42AU-551
Rack Mount Kits and Handle Kits	
Rack mount kit for analyzers without handles (Option 1CM) Option 1CM includes the following separately orderable items: Rack mount flange kit (for analyzers not equipped with handles) Rack mount flange for use without front handles (two included in 1CM042A)	N5241A/42A-1CM 1CM042A Was 5063-9217 5022-2802
Rack mount kit for analyzers with handles (Option 1CP) Option 1CP includes the following separately orderable items: Rack mount flange kit (for analyzers not equipped with handles) Rack mount flange for use without front handles (two included in 5063-9237)	N5241A/42A-1CP 5063-9237 5022-2809
Front handle kit (two handles and hardware) Front handle (two included in 5063-9230)	5063-9230 5063-9205
Rack mount rail set	E3663AC
Touch-up Paint	
Dove gray (for use on frame around front panel and painted portion of handles)	6010-1146
French gray (for use on cover)	6010-1147
Parchment white (for use on rack mount flanges, rack support flanges, and front panels)	6010-1148

a. For Model numbers indicated N5241A/42AU-xxx, you must order either N5241AU-xxx or N5242AU-xxx, where xxx is the option number, for example, 010, 080, etc.

7 Repair and Replacement Procedures

Information in This Chapter

This chapter contains procedures for removing and replacing the major assemblies of your Agilent Technologies PNA series microwave network analyzer.

Chapter Seven at-a-Glance

Section Title	Summary of Content	Start Page
Personal Safety Warnings	Warnings and cautions pertaining to personal safety.	Page 7-3
Electrostatic Discharge (ESD) Protection	Information pertaining to ESD protection.	Page 7-3
Table of Removal and Replacement Procedures	A table of removal and replacement procedures and the corresponding page number where they are located.	Page 7-4
Removal and Replacement Procedures	The actual procedures for removing and replacing the major assemblies in your analyzer. <i>The procedures occur in assembly reference designator numerical order.</i>	See Table 7-1 on page 7-4 for specific procedures.
Post-Repair Procedures	A table for the proper tests, verifications, and adjustments to perform on your analyzer after repair.	Page 7-72

CAUTION The PNA contains extremely sensitive components that can be ruined if mishandled. Follow instructions carefully when making cable connections, especially wire harness connections.

The person performing the work accepts responsibility for the full cost of the repair or replacement of damaged components.

Personal Safety Warnings

WARNING These servicing instructions are for use by qualified personnel only. To avoid electrical shock, do not perform any servicing unless you are qualified to do so.

WARNING The opening of covers or removal of parts is likely to expose dangerous voltages. Disconnect the analyzer from all voltage sources while it is being opened.

WARNING Procedures described in this document may be performed with power supplied to the product while protective covers are removed. Energy available at many points may, if contacted, result in personal injury.

WARNING The power cord is connected to internal capacitors that may remain live for 10 seconds after disconnecting the plug from its power supply assembly. Wait at least 10 seconds, after disconnecting the plug, before removing the covers.

WARNING The detachable power cord is the instrument disconnecting device. It disconnects the mains circuits from the mains supply before other parts of the instrument. The front panel switch is only a standby switch and is not a LINE switch (disconnecting device).

WARNING Danger of explosion if battery is incorrectly replaced. Replace only with the same or equivalent type recommended. Discard used batteries according to manufacturer's instructions.

Electrostatic Discharge (ESD) Protection

CAUTION Many of the assemblies in this instrument are very susceptible to damage from electrostatic discharge (ESD). Perform the following procedures only at a static-safe workstation and wear a grounded wrist strap.

This is important. If not properly protected against, electrostatic discharge can seriously damage your analyzer, resulting in costly repair.

To reduce the chance of electrostatic discharge, follow all of the recommendations outlined in [“Electrostatic Discharge Protection” on page 1-6](#), for all of the procedures in this chapter.

Removal and Replacement Procedures

Table 7-1 List of Procedures

Reference Designator	Assembly Description	Location
N/A	Covers, outer and inner	Page 7-6
N/A	Fan bracket and fans	Page 7-66
N/A	Front panel assembly	Page 7-8
N/A	Front panel LED boards	Page 7-64
A1 A2 A3	Front panel display board USB board Display assembly	Page 7-10
A4, A13, A11 A5, A8 A7 A10 A12	13.5 GHz synthesizer boards 26.5 GHz source boards Noise receiver board Frequency reference board Signal processing ADC module (SPAM) board	Page 7-14
A14	System motherboard	Page 7-20
A15	Midplane board	Page 7-22
A16	Power supply	Page 7-24
A17	CPU board	Page 7-26
A18	GPIB board	Page 7-28
A19	Test set motherboard	Page 7-30
A20	IF multiplexer board	Page 7-32
A21	Multiplier/amplifier 26.5 (HMA26.5)	Page 7-34
A22	Splitter	Page 7-36
A23, A24	Mixer bricks	Page 7-38
A25 A26 A27 A28	Port 1 bridge Port 3 bridge Port 4 bridge Port 2 bridge	Page 7-40

Table 7-1 List of Procedures (Continued)

Reference Designator	Assembly Description	Location
A29 A30 A31 A32	Port 1 test port coupler Port 3 test port coupler Port 4 test port coupler Port 2 test port coupler	Page 7-42
A33	Reference mixer switch	Page 7-44
A34 A35 A36 A37	Port 1 source step attenuator (Optional) Port 3 source step attenuator (Optional) Port 4 source step attenuator (Optional) Port 2 source step attenuator (Optional)	Page 7-46
A38 A39 A40 A41	Port 1 bias tee (Optional) Port 3 bias tee (Optional) Port 4 bias tee (Optional) Port 2 bias tee (Optional)	Page 7-46 Page 7-48
A42 A43 A44 A45	Port 1 receiver step attenuator (Optional) Port 3 receiver step attenuator (Optional) Port 4 receiver step attenuator (Optional) Port 2 receiver step attenuator (Optional)	Page 7-46
A46 A47 A48 A49	Port 1 mechanical switch (Optional) Port 3 mechanical switch (Optional) Port 4 mechanical switch (Optional) Port 2 mechanical switch (Optional)	Page 7-50
A50	Combiner (Optional)	Page 7-50
A51	Hard disk drive	Page 7-52
A52 A53	Test port 1 switch (Option 029 only) Test port 2 switch (Option 029 only)	Page 7-58
A54 A55	Test port 2 bridge (Option 029 only) Noise downconverter (Option 029 only)	Page 7-60

Removing the Covers

Tools Required

- T-10 TORX driver (set to 9 in-lb)
- T-20 TORX driver (set to 21 in-lb)

Removing the Outer Cover

CAUTION This procedure is best performed with the analyzer resting on its front handles in the vertical position. *Do not place the analyzer on its front panel without the handles.* This will damage the front panel assemblies.

Refer to [Figure 7-1](#) for this procedure.

1. Disconnect the power cord.
2. Remove the strap handles (item ①) by loosening the screws (item ②), with a T-20 TORX driver, on both ends until the handle is free of the analyzer.
3. Remove the foot locks (item ③) from the four bottom feet (item ④) and then remove the four bottom feet from the outer cover.
4. Remove the four rear panel feet (item ⑤) by removing the center screws (item ⑥) with a T-20 TORX driver.
5. Slide the outer cover toward the rear of the analyzer and remove it.

Removing the Inner Cover

Refer to [Figure 7-1](#) for this procedure.

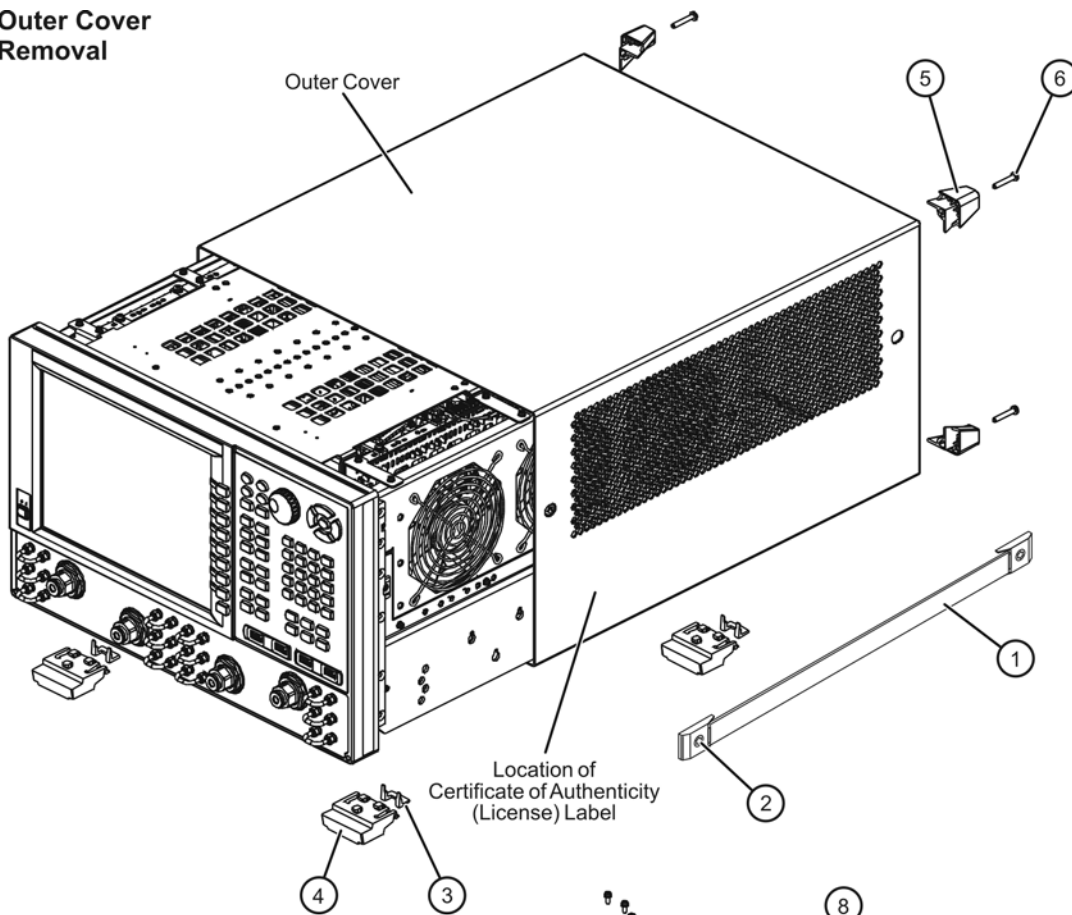
1. With a T-10 TORX driver, remove the 12 pan head screws (item ⑦).
2. With a T-10 TORX driver, remove the 9 flat head screws (item ⑧).
3. Lift off the cover.

Replacement Procedure

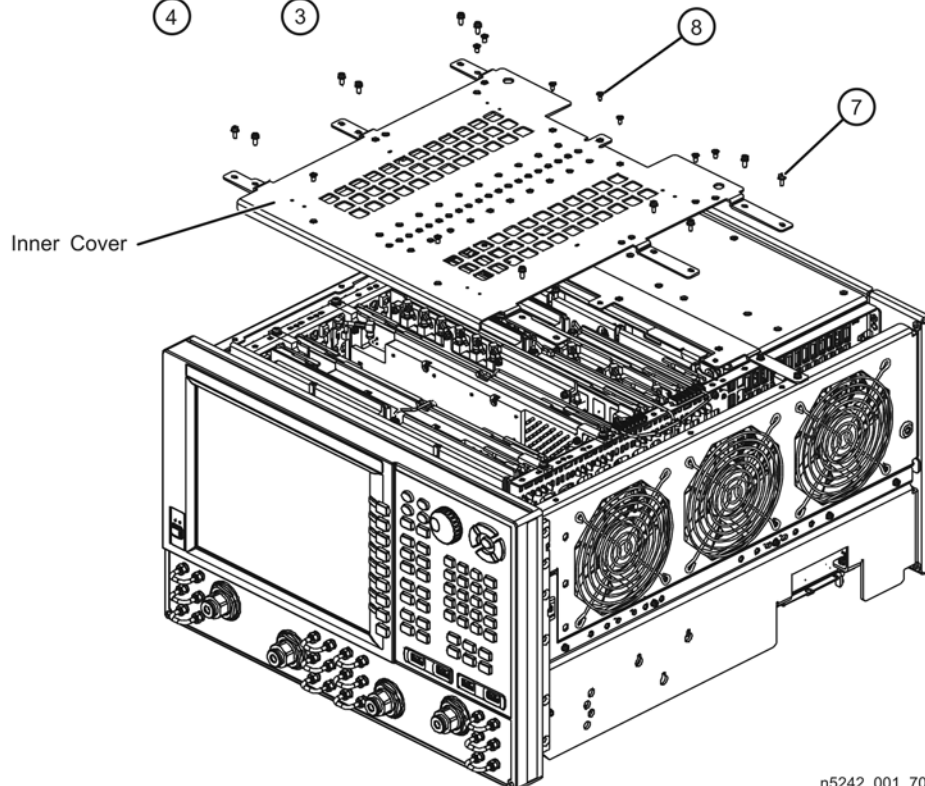
Reverse the order of the removal procedures.

Figure 7-1 Outer and Inner Cover Removal

Outer Cover Removal



Inner Cover Removal



n5242_001_701

Removing and Replacing the Front Panel Assembly

Tools Required

- T-10 TORX driver (set to 9 in-lb)
- T-20 TORX driver (set to 21 in-lb)
- 5/16 inch open-end torque wrench (set to 10 in-lb)
- ESD grounding wrist strap

Removal Procedure

Refer to [Figure 7-2](#) for this procedure.

1. Disconnect the power cord.
2. Remove the outer cover. Refer to [“Removing the Covers” on page 7-6](#).
3. With a 5/16 inch torque wrench, remove all the semirigid jumpers (item ①) from the front panel.
4. With a T-10 TORX driver, remove the 12 screws (item ②) from the sides of the frame.

CAUTION Before removing the front panel from the analyzer, lift and support the front of the analyzer frame.

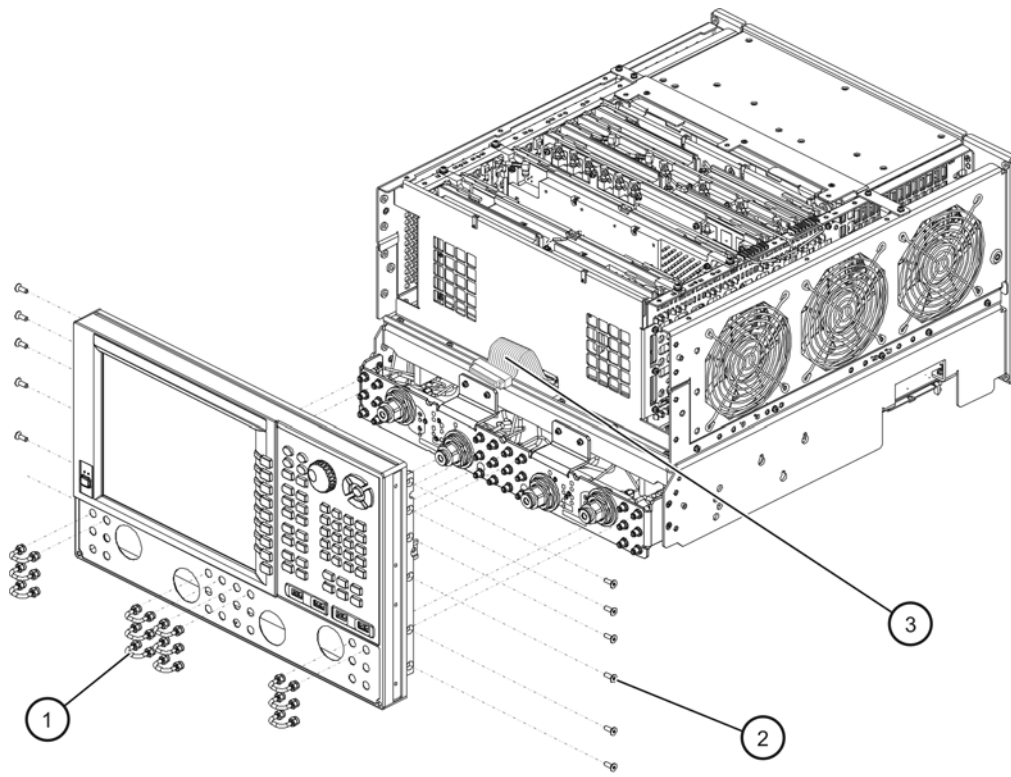
5. Slide the front panel over the test port connectors.
6. Disconnect the ribbon cable (item ③) from the A1 front panel interface board.

Replacement Procedure

IMPORTANT When reconnecting the front-panel jumpers, torque the connectors to 10 in-lb.

1. Reverse the order of the removal procedure.
2. Perform the post-repair adjustments, verifications, and performance tests that pertain to this removal procedure. Refer to [Table 7-2 on page 7-72](#).

Figure 7-2 Front Panel Assembly Removal



n5242_010_02

Removing and Replacing the A1–A3 and Other Front Panel Subassemblies

Tools Required

- T-10 TORX driver (set to 9 in-lb)
- T-20 TORX driver (set to 21 in-lb)
- 5/16 inch open-end torque wrench (set to 10 in-lb)
- ESD grounding wrist strap

Refer to [Figure 7-3](#), [Figure 7-4](#), and [Figure 7-5](#) for the following procedures.

Pre-removal Procedure

1. Disconnect the power cord.
2. Remove the front panel assembly. Refer to [“Removing and Replacing the Front Panel Assembly” on page 7-8](#).

Removing the A2 USB Board

1. Remove the four retaining screws (item ①) from the USB board and unplug it from the A1 front panel interface board.

Removing the A1 Front Panel Interface Board and Keypad Assembly

1. Remove the A2 USB board as outlined above.
2. Remove the round knob (RPG) from the front panel by gently pulling the knob forward.
3. Disconnect the following cables from the A1 front panel interface board: display cable (item ②), inverter board cable (item ③), USB controller board cable (item ④), and power switch cable (item ⑤).
4. Remove the nine screws (item ⑥) from the A1 front panel interface board and remove it from the front panel assembly.
5. The keypad assembly can now be removed from the A1 front panel interface board by gently pulling each of the rubber tabs through the PC board.

Removing the Inverter Board

1. Disconnect the inverter board cable (item ③) and the LCD cable (item ⑦) from the inverter board.
2. Remove two screws (item ⑧) and remove the inverter board.

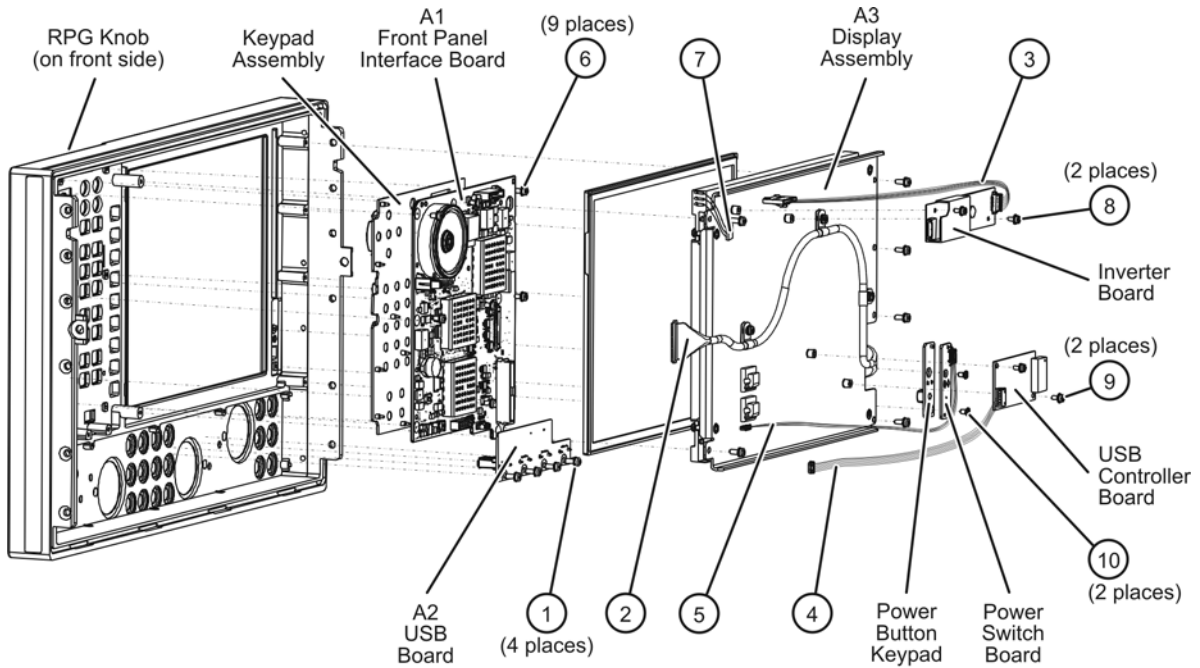
Removing the USB Controller Board

1. Disconnect the USB controller board cable (item ④) from the USB controller board.
2. Remove two screws (item ⑨) and remove the USB controller board.

Removing the Power Switch Board and Power Button Keypad

1. Disconnect the power switch cable (item ⑤) from the power switch board.
2. Remove two screws (item ⑩) and remove the power switch board.
3. The power button keypad can now be removed from the power switch board by gently pulling each of the rubber tabs through the PC board.

Figure 7-3 Front Panel Subassemblies Removal



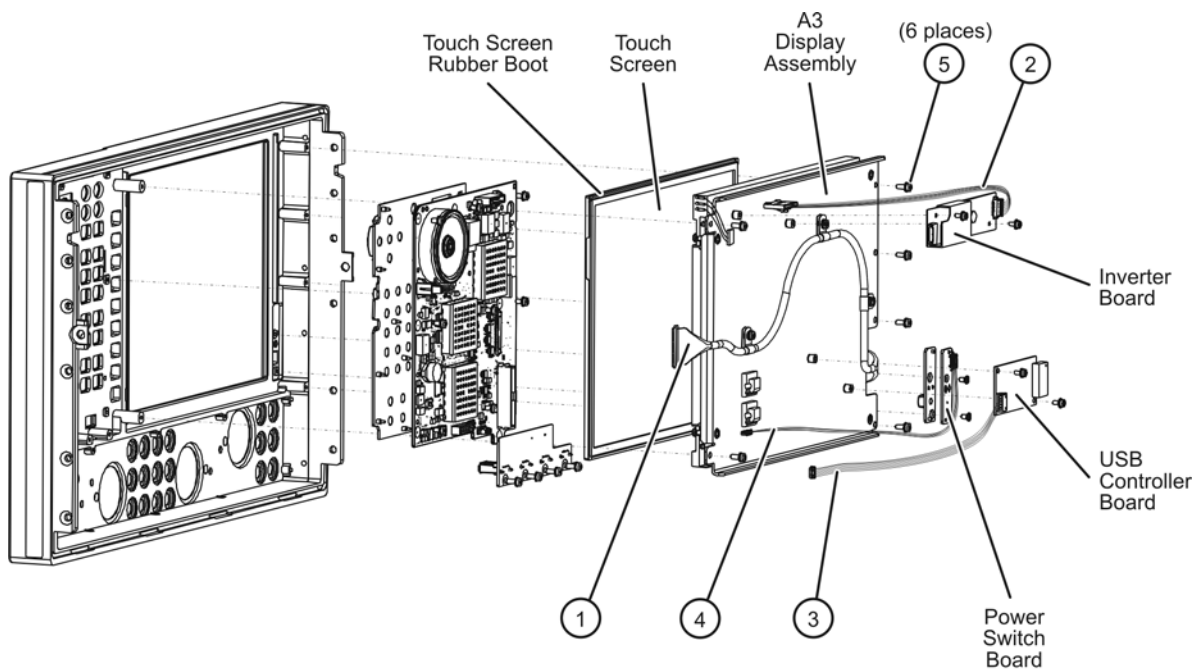
n5242_001_703

Removing the A3 Display Assembly and the Touchscreen

1. Disconnect the following cables from the A1 front panel interface board: display cable (item ①), inverter board cable (item ②), USB controller board cable (item ③), and power switch cable (item ④).
2. Remove six screws (item ⑤) from the A3 display assembly and remove the A3 display assembly from the front panel assembly.
3. The touch screen can now be removed from the front panel assembly. Note the orientation of the touch screen in the front panel assembly for installation of the new touch screen.

To replace the touch screen, note the orientation of the rubber boot on the old touch screen and then remove it and install it on the new one in the same orientation.

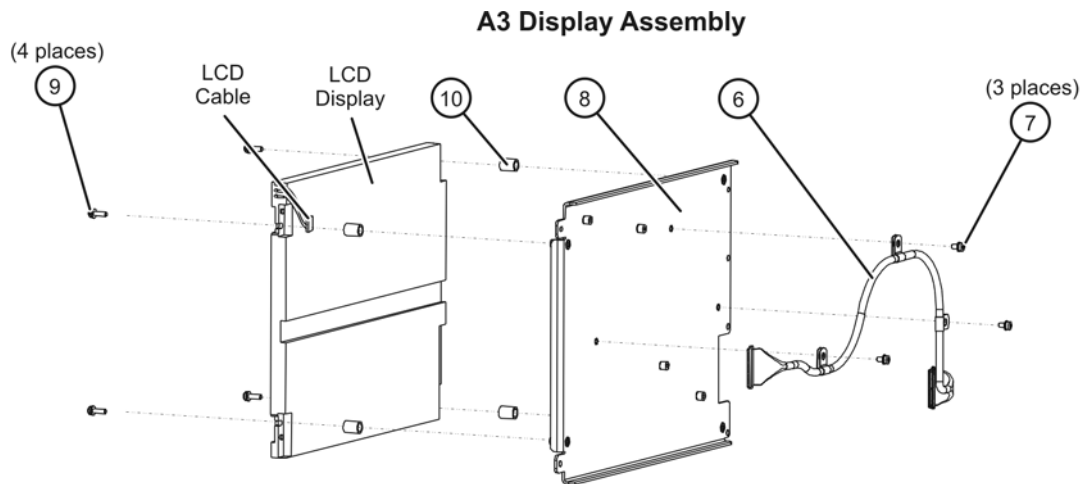
Figure 7-4 A3 Display Assembly and Touch Screen Removal-1



n5242_001_704

4. The display cable (item ⑥) can be removed by removing the three screws (item ⑦) that attach it to the LCD display hold down bracket (item ⑧).
5. The LCD display can be removed by disconnecting the LCD cable from the inverter board and then removing the four screws (item ⑨) that attach it to the LCD display hold down bracket (item ⑧). Note the location of the four spacers (item ⑩) before separating the LCD display from the hold down bracket.

Figure 7-5 A3 Display Assembly and Touch Screen Removal-2



n5242_001_705

Replacement Procedure

1. Reverse the order of the removal procedure.
2. Perform the post-repair adjustments, verifications, and performance tests that pertain to this removal procedure. Refer to [Table 7-2 on page 7-72](#).

Removing and Replacing the A4–A13 Boards

(For analyzers with serial numbers prefixed MY/SG/US5150 and below.)

IMPORTANT In February 2012, the N5241A and N5242A analyzers underwent significant hardware changes. These changes included a redesigned Signal Processing ADC Module (SPAM) board, 13.5 GHz (source 1, source 2, and LO) synthesizer boards, inner cover (retaining shield), left side inner bracket, and right side inner bracket. It is very important that this redesigned hardware be used only with analyzer serial numbers prefixed MY/SG/US5201 and above. If you have an analyzer whose serial number is prefixed MY/SG/US5150 and below, you must use the previous version of hardware rather than the redesigned hardware - refer to [“Top Assemblies and Cables, All Options” on page 6-14](#).

Be very careful to use the appropriate hardware in your analyzer. Using the wrong hardware can ruin analyzer components, resulting in additional customer costs.

Tools Required

- T-10 TORX driver (set to 9 in-lb)
- T-20 TORX driver (set to 21 in-lb)
- ESD grounding wrist strap

Removal Procedure

Refer to [Figure 7-6](#) for this procedure.

1. Disconnect the power cord.
2. Remove the outer and inner covers. Refer to [“Removing the Covers” on page 7-6](#).
3. A5 and A8 source boards:
 - a. Removal of the source boards is best done with the analyzer placed on its left side, as shown in [Figure 7-6](#), so that both the bottom and top of the analyzer are accessible.
 - b. On the bottom side of the analyzer, on the source board to be removed, disconnect all visible long cables (item ①) from the short cables attached to the source board. The short cables will remain attached to the source board as it is removed from the analyzer.
 - c. On the top side of the analyzer, remove two screws (item ②), one at each end of the board, from the source board to be removed.
 - d. Lift the two extractors (item ③), one at each end of the board. Adjust the slack in the gray flexible cable as needed to move it out of the way, and lift the board out of the chassis.
4. A4, A7, A10, A11, A12, and A13 boards:
 - a. Remove all cables connected to the top of the board to be removed. Note the location of each cable for reinstallation.
 - b. Lift the two extractors (item ③), one at each end of the board, and lift the board.
 - c. Before removing the board completely, check the bottom of the board for any attached cables.

Replacement Procedure

1. Reverse the order of the removal procedure.
Remember to connect any necessary cables to the bottom of the board before reinstalling it.
When replacing the A5 or A8 source board, remove the semirigid cables attached to the bottom of the old board and attach them to the bottom of the new board. Be sure to orient these cables the same as they were on the old board.
2. Perform the post-repair adjustments, verifications, and performance tests that pertain to this removal procedure.

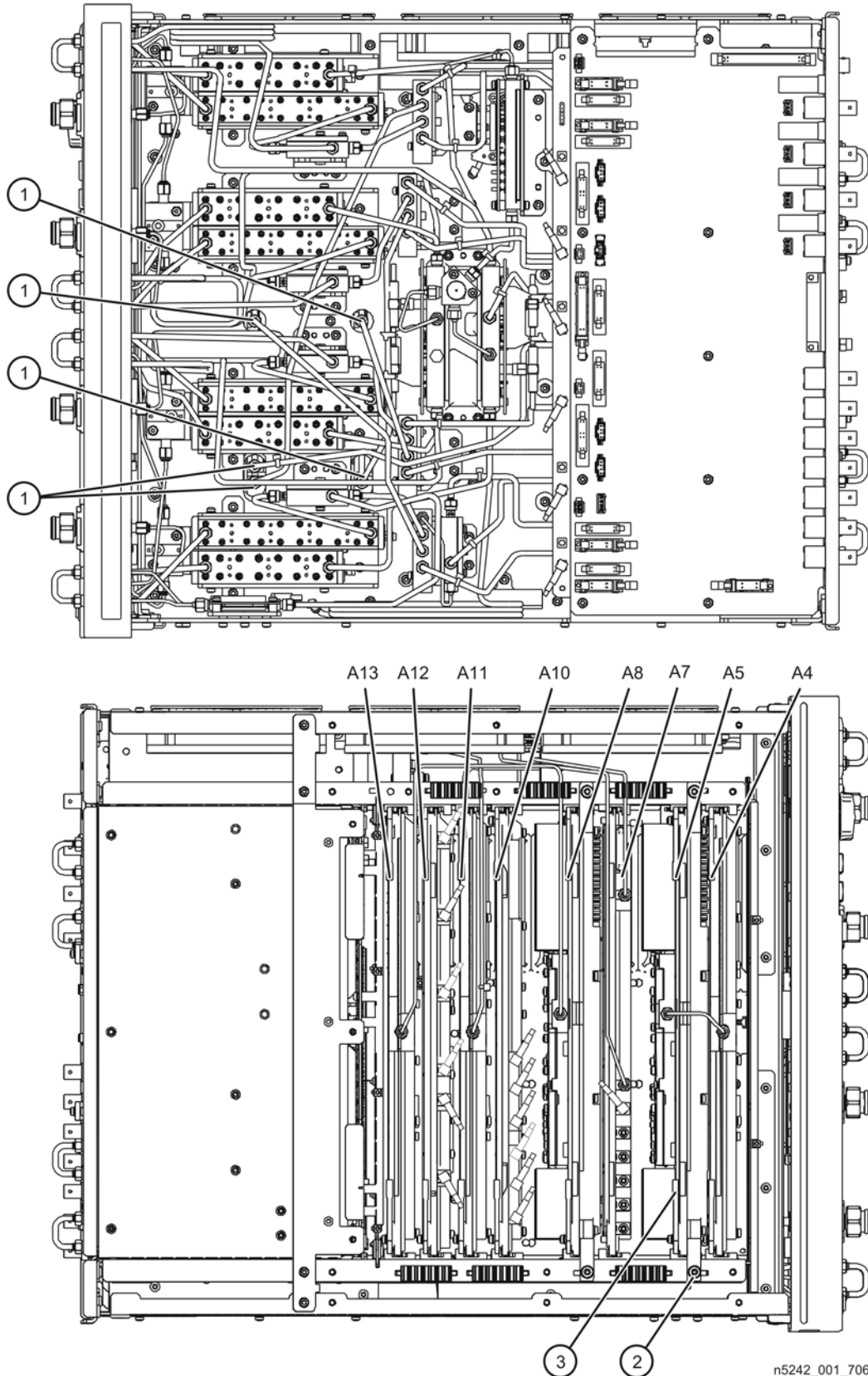
N5241A/42A Removing and Replacing the A4–A13 Boards (For analyzers with serial numbers prefixed MY/SG/US5150 and below.)

Refer to [Table 7-2 on page 7-72](#).

NOTE If any N5230-60002 13.5 GHz Synthesizer board in your PNA is replaced with the RoHS compliant N5242-60166 board, you must replace ALL of the other N5230-60002 boards. To help lower the price for customers who must replace three synthesizer boards in their PNA-X, Agilent provides kit N5242-60168 - containing three N5242-60166 boards - at a discounted price. Any spare boards may be retained for future repairs. You must also upgrade your PNA firmware to rev A09.33xx or above. Download PNA firmware at <http://na.tm.agilent.com/pna/firmware/firmware.html>.

NOTE The A4, A11, and A13 synthesizer boards will not perform correctly and will cause the PNA to display errors until the Synthesizer Bandwidth Adjustment and the EE Default Adjustment are completed, as per [Table 7-2 on page 7-72](#).

Figure 7-6 A4, A5, A7, A8, A10, A11, A12, and A13 Boards Removal



Removing and Replacing the A4–A13 Boards

(For analyzers with serial numbers prefixed MY/SG/US5201 and above.)

IMPORTANT In February 2012, the N5241A and N5242A analyzers underwent significant hardware changes. These changes included a redesigned Signal Processing ADC Module (SPAM) board, 13.5 GHz (source 1, source 2, and LO) synthesizer boards, inner cover (retaining shield), left side inner bracket, and right side inner bracket. It is very important that this redesigned hardware be used only with analyzer serial numbers prefixed MY/SG/US5201 and above. If you have an analyzer whose serial number is prefixed MY/SG/US5150 and below, you must use the previous version of hardware rather than the redesigned hardware - refer to [“Top Assemblies and Cables, All Options” on page 6-14](#).

Be very careful to use the appropriate hardware in your analyzer. Using the wrong hardware can ruin analyzer components, resulting in additional customer costs.

Tools Required

- T-10 TORX driver (set to 9 in-lb)
- T-20 TORX driver (set to 21 in-lb)
- ESD grounding wrist strap

Removal Procedure

Refer to [Figure 7-6](#) for this procedure.

1. Disconnect the power cord.
2. Remove the outer and inner covers. Refer to [“Removing the Covers” on page 7-6](#).
3. A5 and A8 source boards:
 - a. Removal of the source boards is best done with the analyzer placed on its left side, as shown in [Figure 7-6](#), so that both the bottom and top of the analyzer are accessible.
 - b. On the bottom side of the analyzer, on the source board to be removed, disconnect all visible long cables (item ①) from the short cables attached to the source board. The short cables will remain attached to the source board as it is removed from the analyzer.
 - c. On the top side of the analyzer, remove two screws (item ②), one at each end of the board, from the source board to be removed.
 - d. Lift the two extractors (item ③), one at each end of the board. Adjust the slack in the gray flexible cable as needed to move it out of the way, and lift the board out of the chassis.
4. A4, A7, A10, A11, A12, and A13 boards:
 - a. Remove all cables connected to the top of the board to be removed. Note the location of each cable for reinstallation.
 - b. On the top side of the analyzer, remove two screws (item ②), one at each end of the board, from the A12 SPAM board or the synthesizer board to be removed.
 - c. Lift the two extractors (item ③), one at each end of the board, and lift the board.
 - d. Before removing the board completely, check the bottom of the board for any attached cables.

Replacement Procedure

1. Reverse the order of the removal procedure.
Remember to connect any necessary cables to the bottom of the board before reinstalling it.
When replacing the A5 or A8 source board, remove the semirigid cables attached to the bottom of the old board

Removing and Replacing the A4–A13 Boards (For analyzers with serial numbers prefixed MY/SG/US5201 and above.) **N5241A/42A**

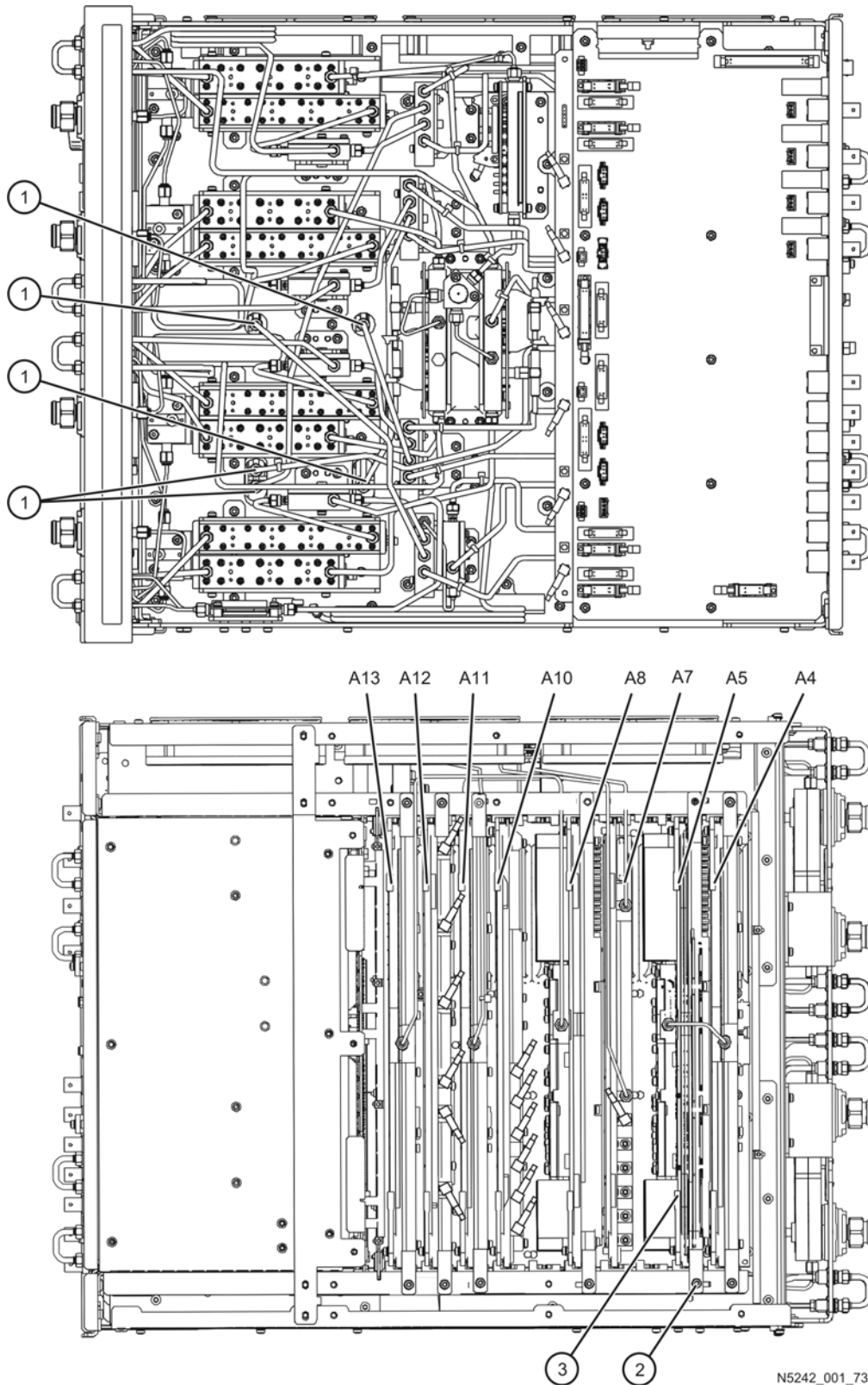
and attach them to the bottom of the new board. Be sure to orient these cables the same as they were on the old board.

2. Perform the post-repair adjustments, verifications, and performance tests that pertain to this removal procedure. Refer to [Table 7-2 on page 7-72](#).

NOTE The A4, A11, and A13 synthesizer boards will not perform correctly and will cause the PNA to display errors until the Synthesizer Bandwidth Adjustment and the EE Default Adjustment are completed, as per [Table 7-2 on page 7-72](#).

N5241A/42A Removing and Replacing the A4–A13 Boards (For analyzers with serial numbers prefixed MY/SG/US5201 and above.)

Figure 7-7 A4, A5, A7, A8, A10, A11, A12, and A13 Boards Removal



N5242_001_732

Removing and Replacing the A14 System Motherboard

Tools Required

- T-10 TORX driver (set to 9 in-lb)
- T-20 TORX driver (set to 21 in-lb)
- 5/16 inch open-end torque wrench (set to 10 in-lb)
- ESD grounding wrist strap

Removal Procedure

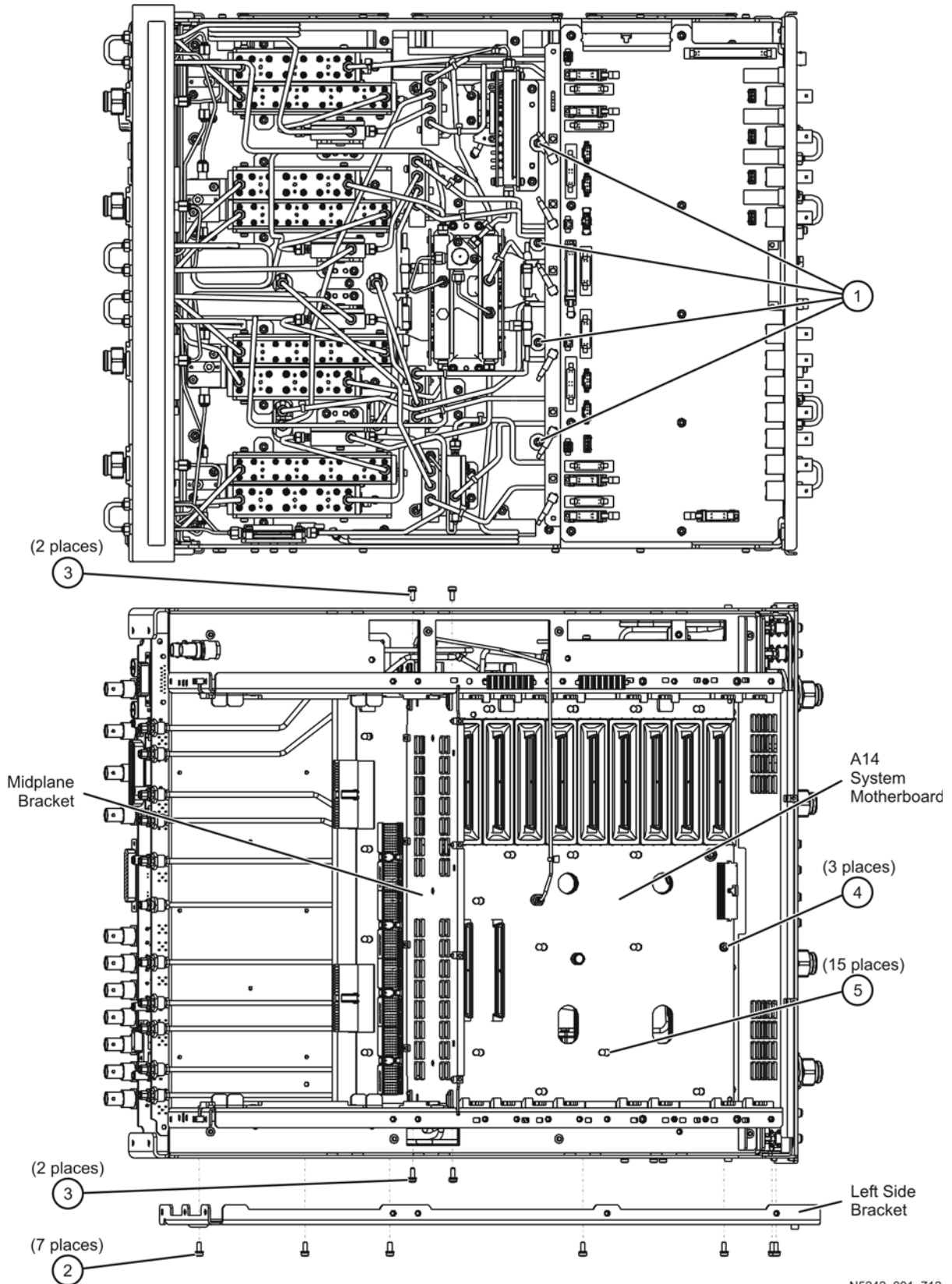
Refer to [Figure 7-8](#) for this procedure.

1. Disconnect the power cord.
2. Remove the outer and inner covers. Refer to [“Removing the Covers”](#) on page 7-6.
3. Remove the front panel assembly. Refer to [“Removing and Replacing the Front Panel Assembly”](#) on page 7-8.
4. Remove the A18 GPIB board. Refer to [“Removing and Replacing the A18 GPIB Board”](#) on page 7-28.
5. Remove the A15 midplane board. Refer to [“Removing and Replacing the A15 Midplane Board”](#) on page 7-22.
6. Remove the A4–A13 boards. Refer to [“Removing and Replacing the A4–A13 Boards \(For analyzers with serial numbers prefixed MY/SG/US5150 and below.\)”](#) on page 7-14.
7. Remove the fan bracket and fans. Refer to [“Removing and Replacing the Fans”](#) on page 7-66.
8. Turn the analyzer over so that the bottom side is up and remove four screws (item ①), that secure the bottom of the midplane bracket to the chassis.
9. Turn the analyzer back over so that the top side is up. Remove seven screws (item ②) that secure the left side bracket to the chassis left inner panel.
10. Remove two screws (item ③) from each side that secure the midplane bracket to the chassis left and right inner panels. Lift the midplane bracket out of the analyzer.
11. Remove three screws (item ④) that secure the A14 system motherboard to the chassis.
12. Slide the A14 system motherboard toward the rear of the analyzer to release it from the 15 keyhole standoffs (item ⑤) on the chassis.
13. Lift the A14 system motherboard just enough to unplug the ribbon cable from the bottom side, then lift it out of the analyzer.

Replacement Procedure

1. Reverse the order of the removal procedure.
2. Perform the post-repair adjustments, verifications, and performance tests that pertain to this removal procedure. Refer to [Table 7-2](#) on page 7-72.

Figure 7-8 A14 System Motherboard Removal



N5242_001_712

Removing and Replacing the A15 Midplane Board

Tools Required

- T-10 TORX driver (set to 9 in-lb)
- T-20 TORX driver (set to 21 in-lb)
- 5/16 inch open-end torque wrench (set to 10 in-lb)
- ESD grounding wrist strap

Removal Procedure

Refer to [Figure 7-9](#) for this procedure.

1. Disconnect the power cord.
2. Remove the outer and inner covers. Refer to [“Removing the Covers”](#) on page 7-6.
3. Remove the A16 power supply assembly. Refer to [“Removing and Replacing the A16 Power Supply Assembly”](#) on page 7-24.
4. Remove the A17 CPU board assembly. Refer to [“Removing and Replacing the A17 CPU Board Assembly”](#) on page 7-26.
5. Remove six screws (item ①) from the A15 midplane board.
6. Lift the board ejectors (item ②) to the upright position to disengage the A15 midplane board from the A14 system motherboard.
7. Note the positions of the five rubber grommets (item ③) on the bottom three A15 midplane board alignment pins. Remove these rubber grommets and retain them for reinstallation on the new A15 midplane board.
8. Lift the A15 midplane board out of the analyzer.

Replacement Procedure

1. Reverse the order of the removal procedure.

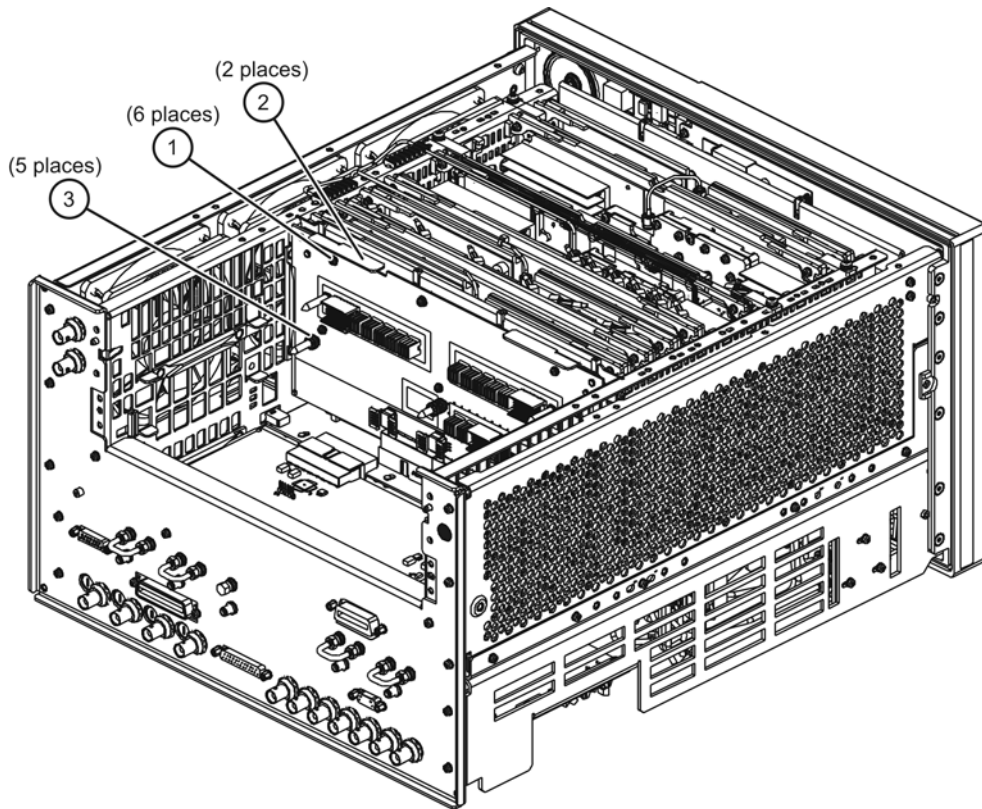
Be careful to align the guide pins on the A15 midplane board connectors with the slots on the A14 system motherboard connectors.

The board ejectors should be in the upright position when installing the A15 midplane board. Align these ejectors with the slots in the chassis inner panels as the board is lowered into position and then push them down flat.

Remember to install the five rubber grommets on the bottom three alignment pins: one on the alignment pin closest to the fans and two each on the other two alignment pins.

2. Perform the post-repair adjustments, verifications, and performance tests that pertain to this removal procedure. Refer to [Table 7-2](#) on page 7-72.

Figure 7-9 A15 Midplane Board Removal



n5242_001_711

Removing and Replacing the A16 Power Supply Assembly

Tools Required

- T-10 TORX driver (set to 9 in-lb)
- T-20 TORX driver (set to 21 in-lb)
- ESD grounding wrist strap

Removal Procedure

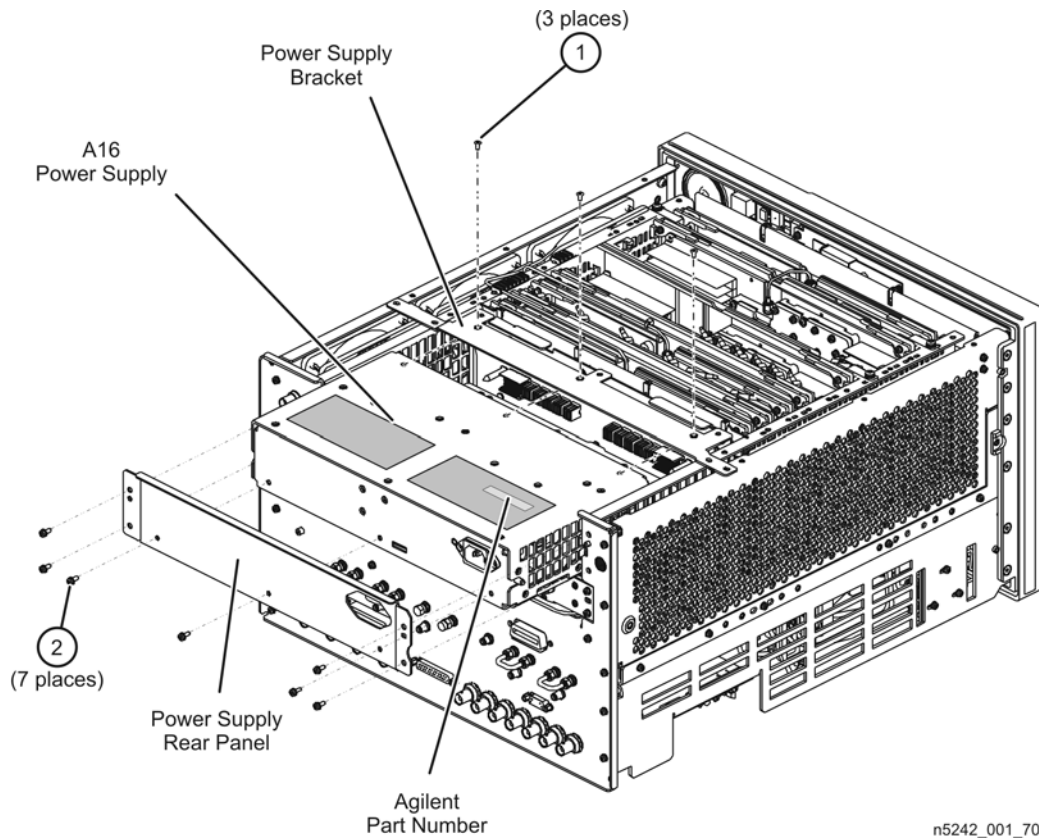
Refer to [Figure 7-10](#) for this procedure.

1. Disconnect the power cord.
2. Remove the outer and inner covers. Refer to [“Removing the Covers” on page 7-6](#).
3. Remove the three flat head screws (item ①) from the power supply bracket.
4. Remove the seven pan head screws (item ②) from the power supply rear panel.
5. Slide the A16 power supply assembly out the rear of the analyzer.

Replacement Procedure

1. Reverse the order of the removal procedure.
2. Perform the post-repair adjustments, verifications, and performance tests that pertain to this removal procedure. Refer to [Table 7-2 on page 7-72](#).

Figure 7-10 A16 Power Supply Assembly Removal



Removing and Replacing the A17 CPU Board Assembly

Tools Required

- T-10 TORX driver (set to 9 in-lb)
- T-20 TORX driver (set to 21 in-lb)
- ESD grounding wrist strap

Removal Procedure

Refer to [Figure 7-11](#) for this procedure.

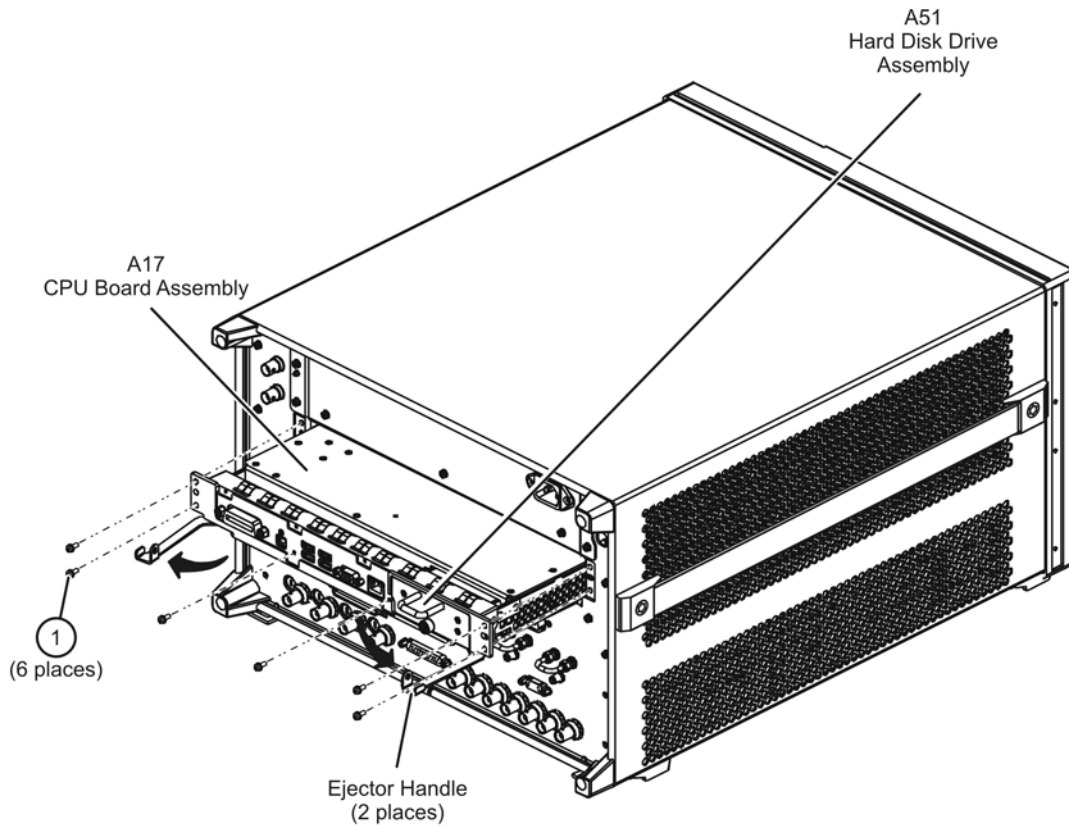
1. Disconnect the power cord.
2. It is *not* necessary to remove the instrument cover(s) to remove the A17 CPU board assembly.
3. Remove six screws (item ①) from the A17 CPU board assembly; four from the CPU assembly rear panel and two from the ejector handles.
4. Grasp the two ejector handles and rotate them outward toward the sides of the analyzer as shown in the illustration. This will disengage the A17 CPU board assembly from the A15 midplane board.
5. Slide the A17 CPU board assembly out the rear of the analyzer.
6. If the older 1.6 GHz CPU board is being replaced with the new 2.0 GHz CPU board, a new A51 hard disk drive assembly must also be installed. Refer to [“Removing and Replacing the A51 Hard Disk Drive \(HDDA\)” on page 7-52](#).

If the N5241/42A already had a 2.0 GHz CPU board installed, remove the A51 hard disk drive assembly from the old CPU board and install it in the new CPU board. Refer to [“Removing and Replacing the A51 Hard Disk Drive \(HDDA\)” on page 7-52](#).

Replacement Procedure

1. Reverse the order of the removal procedure.
2. If a new Certificate of Authenticity (license) label is supplied with your new A17 CPU board assembly, adhere it to the outer cover in the location specified in [Figure 7-1 on page 7-7](#).
3. Perform the post-repair adjustments, verifications, and performance tests that pertain to this removal procedure. Refer to [Table 7-2 on page 7-72](#).

Figure 7-11 A17 CPU Board Assembly Removal



NOTE: THE 2.0 GHz A17 CPU BOARD IS SHOWN IN THIS ILLUSTRATION.

n5242_001_708.1

Removing and Replacing the A18 GPIB Board

Tools Required

- T-10 TORX driver (set to 9 in-lb)
- T-20 TORX driver (set to 21 in-lb)
- ESD grounding wrist strap

Removal Procedure

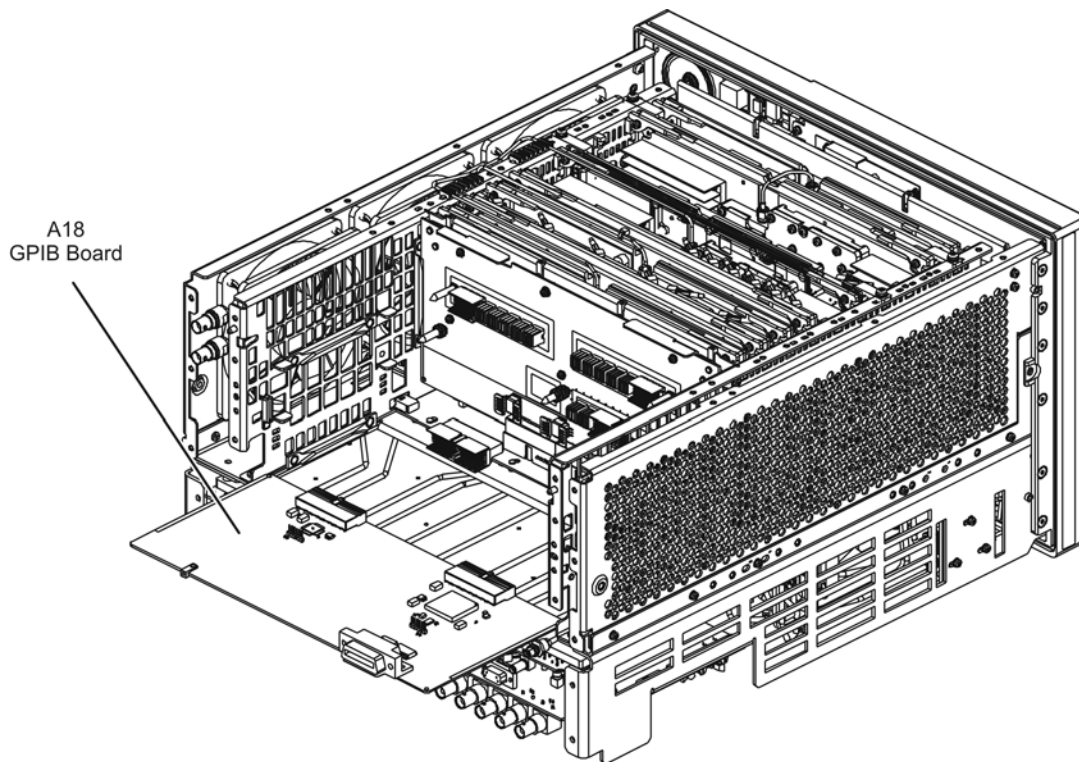
Refer to [Figure 7-12](#) for this procedure.

1. Disconnect the power cord.
2. Remove the outer and inner covers. Refer to [“Removing the Covers”](#) on page 7-6.
3. Remove the A16 power supply assembly. Refer to [“Removing and Replacing the A16 Power Supply Assembly”](#) on page 7-24.
4. Remove the A17 CPU board assembly. Refer to [“Removing and Replacing the A17 CPU Board Assembly”](#) on page 7-26.
5. Remove the rear panel. Refer to [“Removing and Replacing the Rear Panel”](#) on page 7-62.
6. Slide the A18 GPIB board out the rear of the analyzer.

Replacement Procedure

1. Reverse the order of the removal procedure.
2. Perform the post-repair adjustments, verifications, and performance tests that pertain to this removal procedure. Refer to [Table 7-2](#) on page 7-72.

Figure 7-12 **A18 GPIB Board Removal**



n5242_001_709

Removing and Replacing the A19 Test Set Motherboard

Tools Required

- T-10 TORX driver (set to 9 in-lb)
- T-20 TORX driver (set to 21 in-lb)
- 3/16 inch open-end torque wrench (set to 6 in-lb)
- 5/16 inch open-end torque wrench (set to 10 in-lb)
- 5/8 inch open-end torque wrench (set to 21 in-lb)
- ESD grounding wrist strap

Removal Procedure

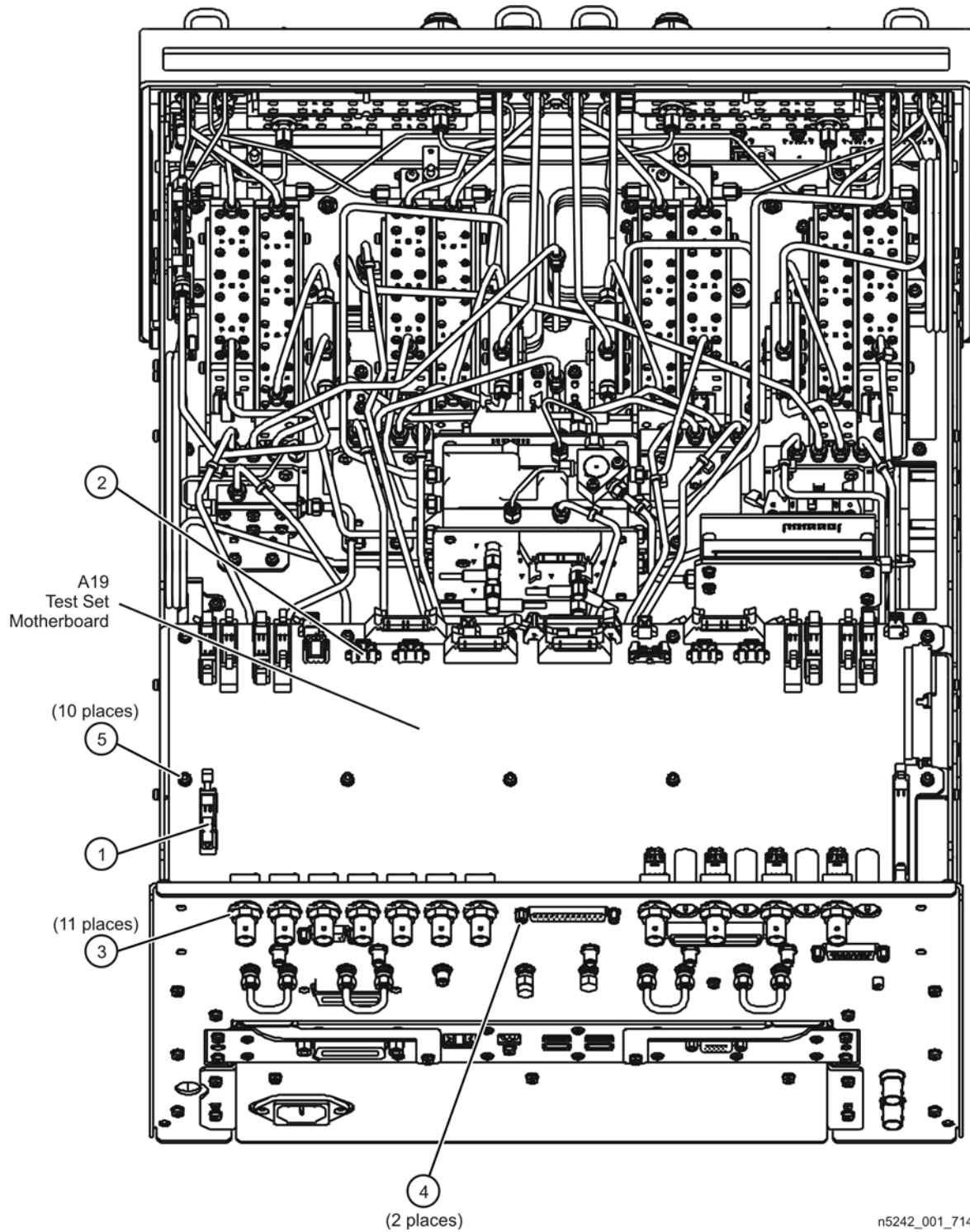
Refer to [Figure 7-13](#) for this procedure.

1. Disconnect the power cord.
2. Remove the outer cover. Refer to [“Removing the Covers” on page 7-6](#).
3. Position the analyzer bottom side up.
4. Disconnect ALL ribbon cables (item ①) and ALL wire harnesses (item ②) from the A19 test set motherboard.
5. Remove connector hardware (item ③) from 11 rear panel BNC connectors. (When reinstalling, use a 5/8 inch open end torque wrench set to 21 in-lbs.)
6. Remove connector hardware (item ④) from the rear panel TEST SET I/O connector. (When reinstalling, use a 3/16 inch open end torque wrench set to 6 in-lbs.)
7. Remove 10 screws (item ⑤) from the A19 test set motherboard. (When reinstalling, use a T-10 TORX driver set to 9 in-lbs.)
8. Slide the A19 test set motherboard toward the front of the instrument until the rear panel BNC connectors are free of the rear panel, then lift the motherboard and remove it from the analyzer.

Replacement Procedure

1. Reverse the order of the removal procedure. In Step 7, *loosely* reinstall ten screws in the A19 test set motherboard. After reinstalling connector hardware on the rear panel, torque the ten screws to 9 in-lbs using the T-10 TORX driver.
2. Perform the post-repair adjustments, verifications, and performance tests that pertain to this removal procedure. Refer to [Table 7-2 on page 7-72](#).

Figure 7-13 A19 Test Set Motherboard Removal



n5242_001_714

Removing and Replacing the A20 IF Multiplexer Board

Tools Required

- T-10 TORX driver (set to 9 in-lb)
- T-20 TORX driver (set to 21 in-lb)
- 5/16 inch open-end torque wrench (set to 10 in-lb)
- ESD grounding wrist strap

Removal Procedure

Refer to [Figure 7-14](#) for this procedure.

1. Disconnect the power cord.
2. Remove the outer cover. Refer to [“Removing the Covers” on page 7-6](#).
3. Position the analyzer bottom side up.
4. Remove the A19 test set motherboard. Refer to [“Removing and Replacing the A19 Test Set Motherboard” on page 7-30](#).
5. Disconnect the ribbon cable (item ①) from the A20 IF multiplexer board.
6. Disconnect ALL gray flexible RF cables (item ②) from the A20 IF multiplexer board.
7. Remove connector hardware (item ③) from five rear panel RF connectors.
8. Remove connector hardware (item ④) from the rear panel PULSE I/O connector.
9. Remove four screws (item ⑤) from the stabilizer bracket and remove the stabilizer bracket.
10. Remove four screws (item ⑥) from the A20 IF multiplexer board.
11. Slide the A20 IF multiplexer board toward the front of the instrument until the rear panel connectors are free of the rear panel, then lift the motherboard and remove it from the analyzer.

Replacement Procedure

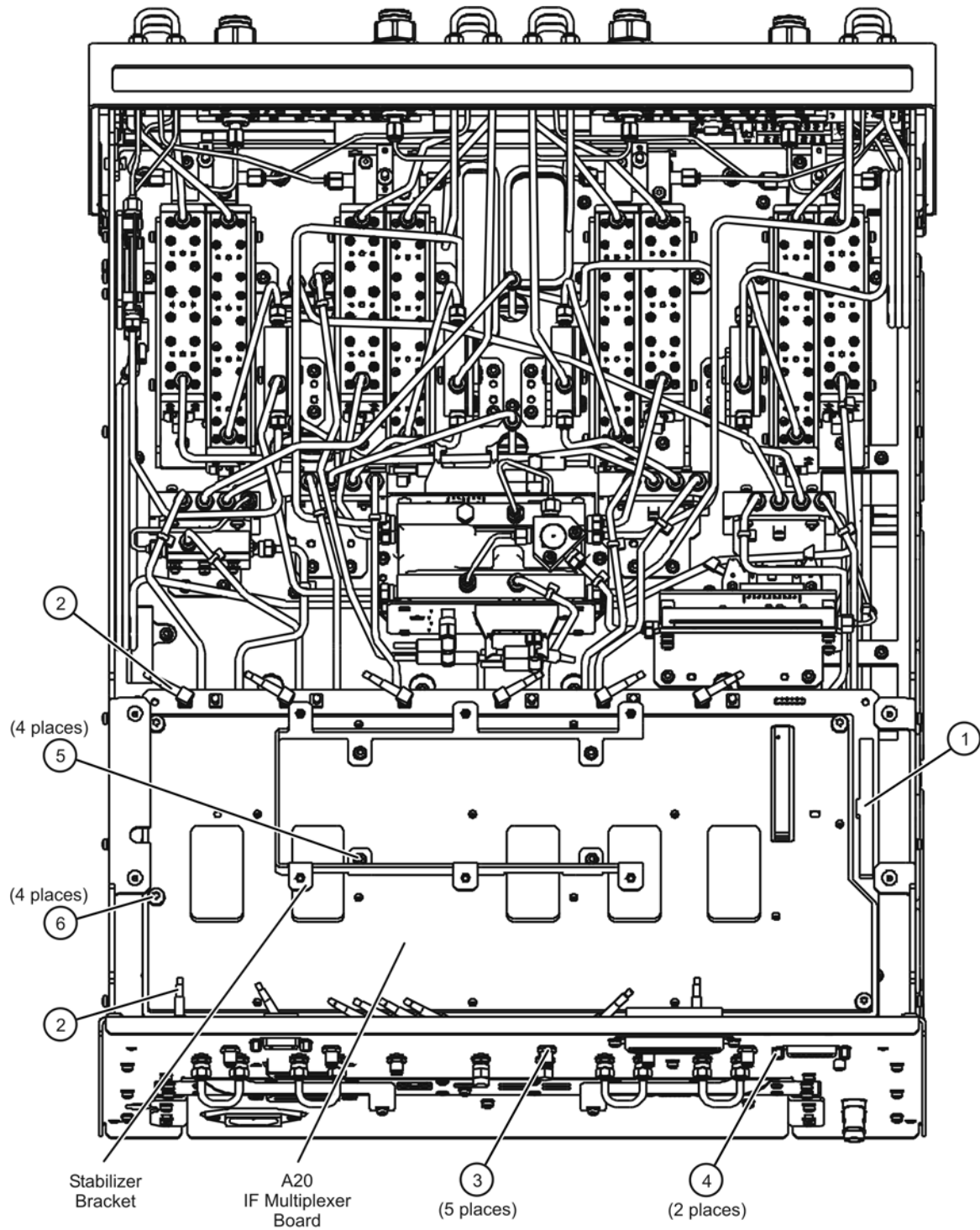
1. Reverse the order of the removal procedure.

Attach the stabilizer bracket to the new A20 IF multiplexer board using the screws removed from the old one.

Torque rear panel RF connector nuts to 21 in-lbs and PULSE I/O connector screws to 6 in-lbs.

2. Perform the post-repair adjustments, verifications, and performance tests that pertain to this removal procedure. Refer to [Table 7-2 on page 7-72](#).

Figure 7-14 A20 IF Multiplexer Board Removal



n5242_001_715

Removing and Replacing the A21 HMA26.5

Tools Required

- T-10 TORX driver (set to 9 in-lb)
- T-20 TORX driver (set to 21 in-lb)
- 5/16 inch open-end torque wrench (set to 10 in-lb)
- ESD grounding wrist strap

Removal Procedure

Refer to [Figure 7-15](#) for this procedure.

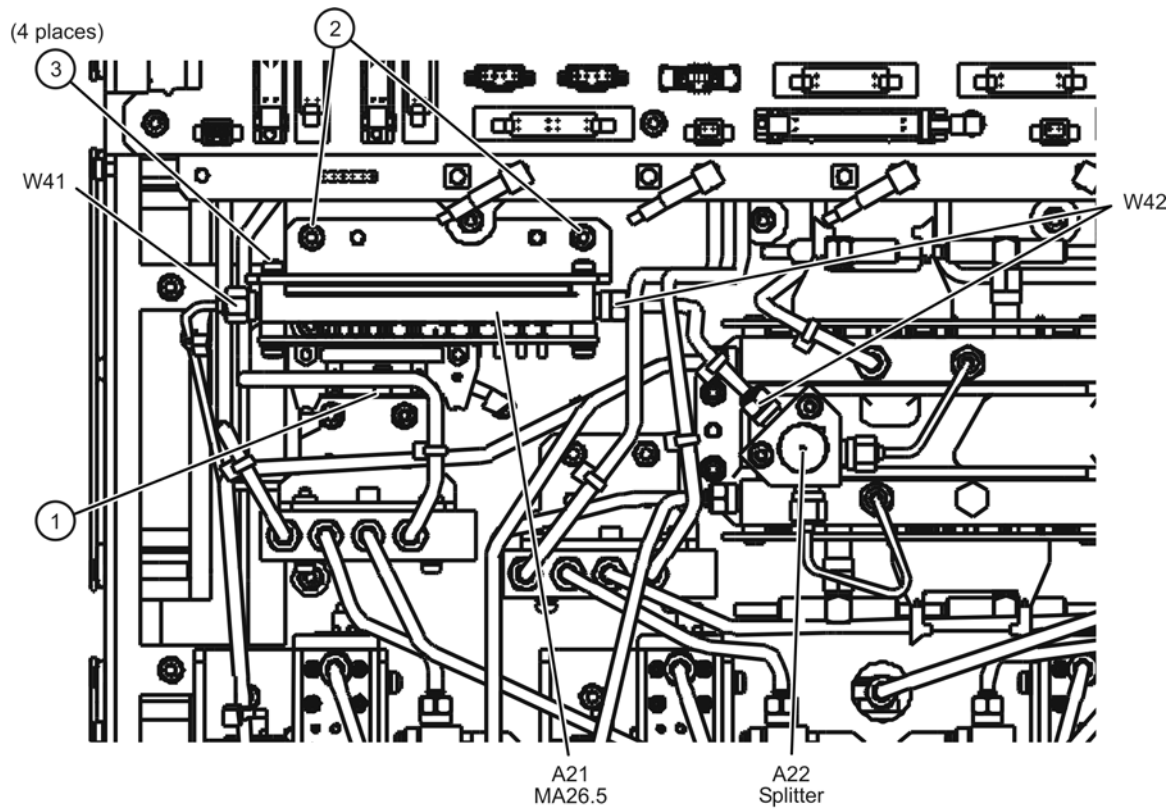
CAUTION Be careful not to damage the center pins of the semirigid cables. Some flexing of the cables is necessary to remove the assembly. However, do not over-bend the semirigid cables.

1. Disconnect the power cord.
2. Remove the outer cover. Refer to [“Removing the Covers” on page 7-6](#).
3. Position the analyzer bottom side up.
4. Disconnect the ribbon cable (item ①) from the A21 HMA26.5 assembly.
5. Disconnect cable W41 from the A21 HMA26.5.
6. Remove cable W42 from between the A21 HMA26.5 and the A22 splitter.
7. Remove two screws (item ②) from the A21 HMA26.5 mounting bracket.
8. Remove the mounting bracket, with the A21 HMA26.5 attached, from the analyzer.
9. Remove four screws (item ③) that attach the A21 HMA26.5 to the mounting bracket.

Replacement Procedure

1. Reverse the order of the removal procedure.
Torque all RF cable connectors to 10 in-lbs.
2. Perform the post-repair adjustments, verifications, and performance tests that pertain to this removal procedure. Refer to [Table 7-2 on page 7-72](#).

Figure 7-15 A21 HMA26.5 Removal



n5242_001_716

Removing and Replacing the A22 Splitter

Tools Required

- T-10 TORX driver (set to 9 in-lb)
- T-20 TORX driver (set to 21 in-lb)
- 5/16 inch open-end torque wrench (set to 10 in-lb)
- ESD grounding wrist strap

Removal Procedure

Refer to [Figure 7-16](#) for this procedure.

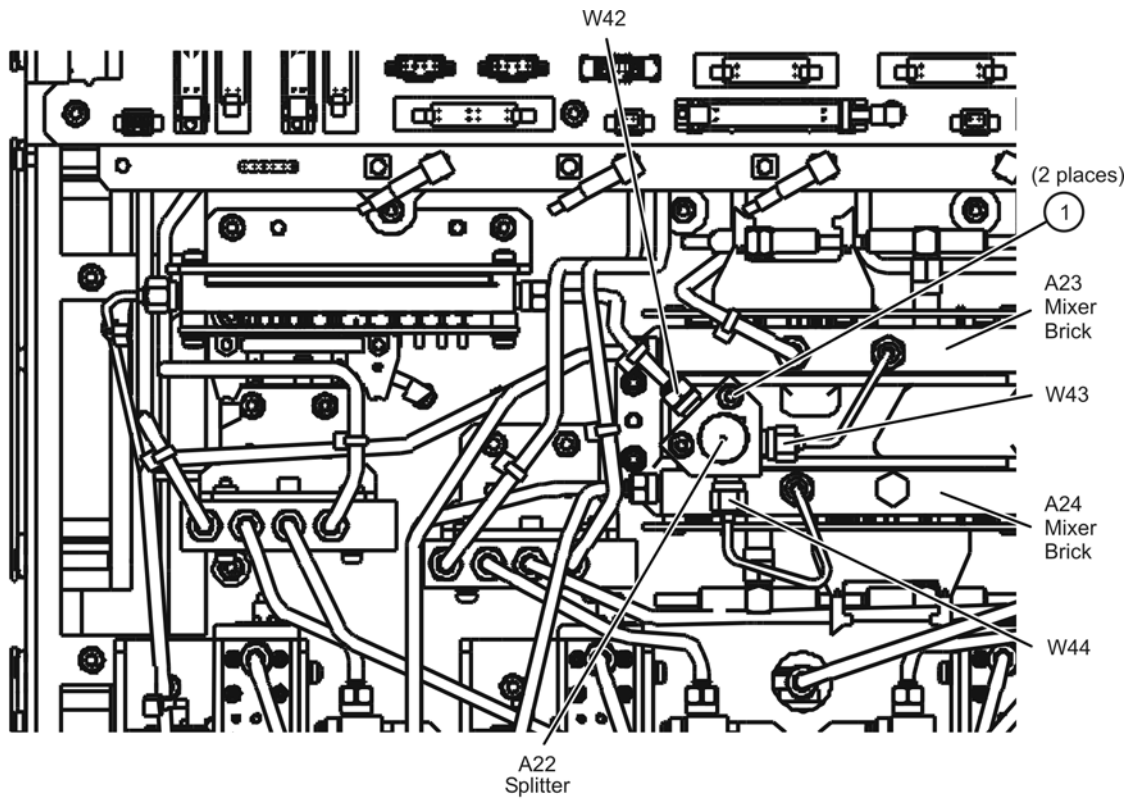
CAUTION Be careful not to damage the center pins of the semirigid cables. Some flexing of the cables is necessary to remove the assembly. However, do not over-bend the semirigid cables.

1. Disconnect the power cord.
2. Remove the outer cover. Refer to [“Removing the Covers” on page 7-6](#).
3. Position the analyzer bottom side up.
4. Disconnect cable W42 at the A22 splitter connection.
5. Remove cable W43 from between the A22 splitter and the A23 mixer brick.
6. Remove cable W44 from between the A22 splitter and the A24 mixer brick.
7. Remove two screws (item ①) from the A22 splitter and lift the splitter out of the analyzer.

Replacement Procedure

1. Reverse the order of the removal procedure.
Torque all RF cable connections to 10 in-lbs.
2. Perform the post-repair adjustments, verifications, and performance tests that pertain to this removal procedure. Refer to [Table 7-2 on page 7-72](#).

Figure 7-16 A22 Splitter Removal



n5242_001_717

Removing and Replacing the A23 and A24 Mixer Bricks

Tools Required

- T-10 TORX driver (set to 9 in-lb)
- T-20 TORX driver (set to 21 in-lb)
- 5/16 inch open-end torque wrench (set to 10 in-lb)
- ESD grounding wrist strap

Removal Procedure

Refer to [Figure 7-17](#) for this procedure.

CAUTION Be careful not to damage the center pins of the semirigid cables. Some flexing of the cables is necessary to remove the assembly. However, do not over-bend the semirigid cables.

1. Disconnect the power cord.
2. Remove the outer cover. Refer to [“Removing the Covers” on page 7-6](#).
3. Position the analyzer bottom side up.
4. Remove cable W42 from between the A21 HMA26.5 and the A22 splitter.
5. Disconnect all semirigid cables (item ①) from each of the mixer bricks.
6. Disconnect the ribbon cables (item ②) from each of the mixer bricks.
7. Remove two screws (item ③) from each end of the mixer brick bracket.
8. Move the disconnected semirigid cables out of the way and lift the mixer brick mounting block out of the analyzer just enough to allow the gray flexible RF cables (item ④) to be disconnected. It may be necessary to loosen the connector at the other end of some of the semirigid cables to allow them to be moved enough.

Note the locations of each of the gray flexible cables for reconnection later. Disconnect these cables and remove the mixer brick mounting block, with the mixer brick(s) and A22 splitter attached, from the analyzer.
9. If the A23 mixer brick is to be replaced, disconnect cable W43 from the A23 mixer brick.

If the A24 mixer brick is to be replaced, disconnect cable W44 and remove the short circuit termination (item ⑤) from the A24 mixer brick. Retain the short circuit termination for installation on the new mixer brick.
10. Remove three screws that attach the mixer brick to be replaced to the mixer brick mounting block, and remove the mixer brick from the mounting block.

Replacement Procedure

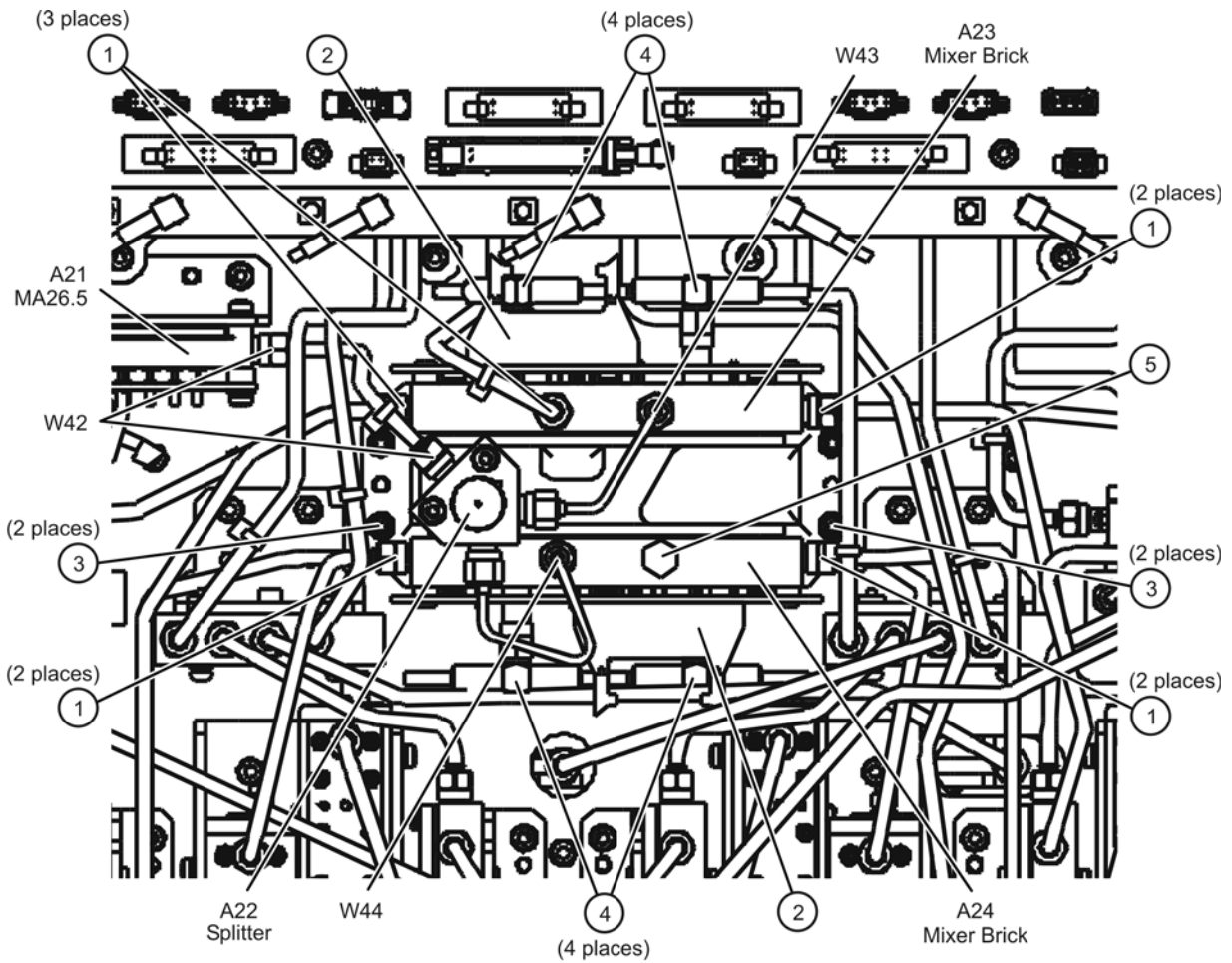
1. Reverse the order of the removal procedure.

If replacing the A24 mixer brick, remember to install the short circuit termination (item ⑤), removed from the old mixer brick, onto the new mixer brick in the same location.

Torque all RF cable connections to 10 in-lbs.

2. Perform the post-repair adjustments, verifications, and performance tests that pertain to this removal procedure. Refer to [Table 7-2 on page 7-72](#).

Figure 7-17 A23 and A24 Mixer Bricks Removal



n5242_001_718

Removing and Replacing the A25–A28 Bridges and Bridge Mounting Brackets

Tools Required

- T-10 TORX driver (set to 9 in-lb)
- T-20 TORX driver (set to 21 in-lb)
- 5/16 inch open-end torque wrench (set to 10 in-lb)
- ESD grounding wrist strap

Removal Procedure

Refer to [Figure 7-18](#) for this procedure.

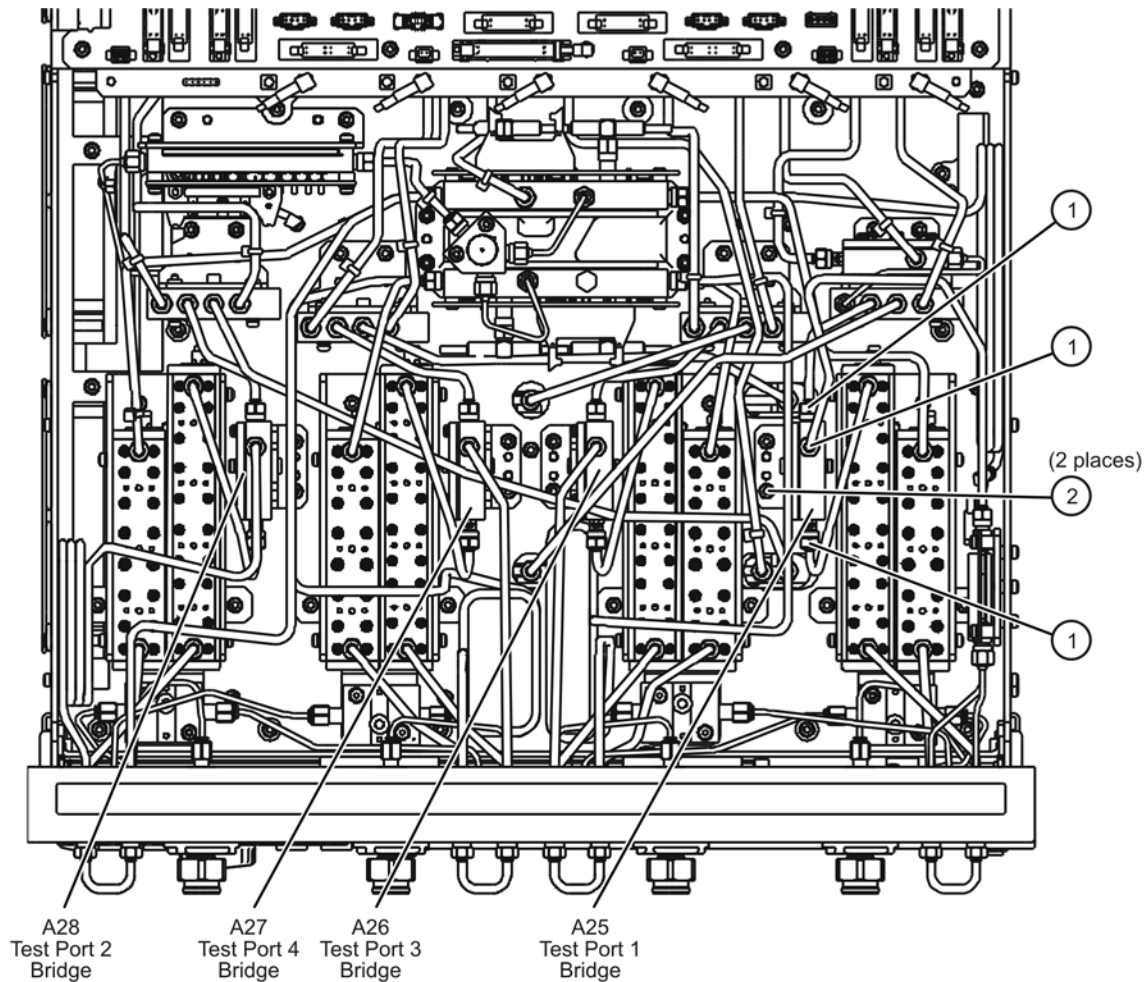
CAUTION Be careful not to damage the center pins of the semirigid cables. Some flexing of the cables is necessary to remove the assembly. However, do not over-bend the semirigid cables.

1. Disconnect the power cord.
2. Remove the outer cover. Refer to [“Removing the Covers” on page 7-6](#).
3. Position the analyzer bottom side up.
4. Disconnect three semirigid cables (item ①) from the bridge to be replaced.
5. Remove two screws (item ②) from the mounting bracket of the bridge to be replaced.
6. Move the disconnected semirigid cables out of the way and lift the bridge mounting bracket, with the bridge attached, out of the analyzer. It may be necessary to loosen the connector at the other end of some of the semirigid cables to allow them to be moved enough.
7. Remove two screws that attach the bridge to be replaced to the bridge mounting bracket, and remove the bridge from the bracket.

Replacement Procedure

1. Reverse the order of the removal procedure.
Torque all RF connectors to 10 in-lbs.
2. Perform the post-repair adjustments, verifications, and performance tests that pertain to this removal procedure. Refer to [Table 7-2 on page 7-72](#).

Figure 7-18 A25 through A28 Bridges Removal



n5242_001_719

Removing and Replacing the A29–A32 Test Port Couplers

Tools Required

- T-10 TORX driver (set to 9 in-lb)
- T-20 TORX driver (set to 21 in-lb)
- 5/16 inch open-end torque wrench (set to 10 in-lb)
- 1 inch open-end torque wrench (set to 72 in-lb)
- ESD grounding wrist strap

Removal Procedure

Refer to [Figure 7-19](#) for this procedure.

CAUTION Be careful not to damage the center pins of the semirigid cables. Some flexing of the cables is necessary to remove the assembly. However, do not over-bend the semirigid cables.

1. Disconnect the power cord.
2. Remove the front panel assembly. Refer to [“Removing and Replacing the Front Panel Assembly” on page 7-8](#).
3. Position the analyzer bottom side up.
4. On 4-port models, it is necessary to remove the couplers in pairs: ports 1/3 and 2/4.
5. Disconnect two semirigid cables (item ①) from each coupler to be removed.
6. Disconnect the wire harness (item ②) from the corresponding front panel LED board and place it out of the way.
7. Remove the coupler nut (item ③) from each coupler to be removed.
8. Move the disconnected semirigid cables out of the way and remove the coupler(s) from the analyzer. On 4-port models, separate the coupler pair.

Replacement Procedure

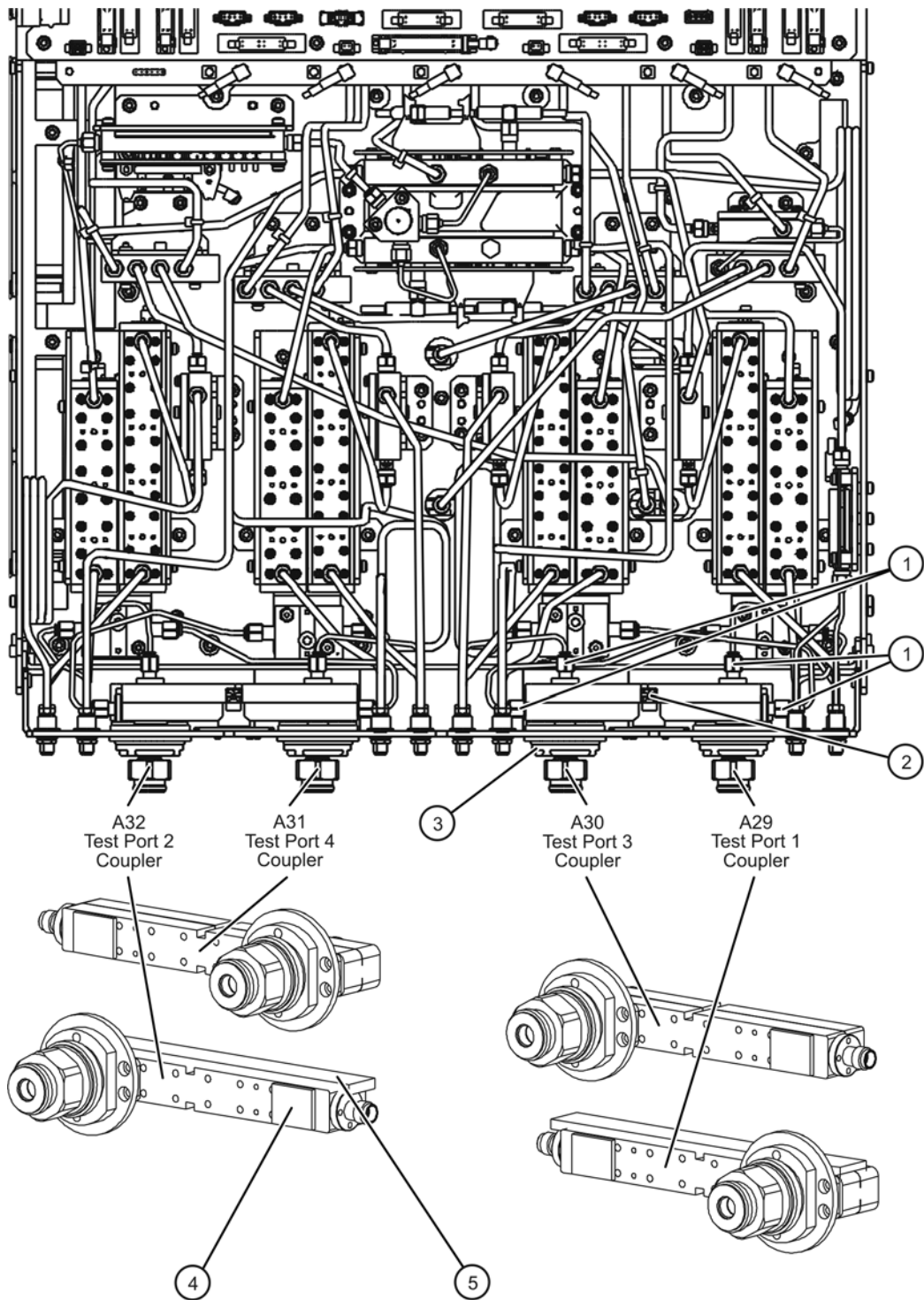
1. Reverse the order of the removal procedure.

Adhere a new gap pad (4-port) or coupler bumper (2-port) (item ④) to the new coupler in the same location as on the old one. Replace the vibration mount (item ⑤) if necessary. Refer to [“Bottom Hardware and Miscellaneous Parts, All Options Except 029” on page 6-150](#) for replacement part numbers.

Torque all connectors to 10 in-lbs. Torque coupler nuts to 72 in-lbs.

2. Perform the post-repair adjustments, verifications, and performance tests that pertain to this removal procedure. Refer to [Table 7-2 on page 7-72](#).

Figure 7-19 A29 through A32 Test Port Couplers Removal



n5242_001_720

Removing and Replacing the A33 Reference Mixer Switch

Tools Required

- T-10 TORX driver (set to 9 in-lb)
- T-15 TORX driver (set to 14 in-lb)
- T-20 TORX driver (set to 21 in-lb)
- 5/16 inch open-end torque wrench (set to 10 in-lb)
- 1 inch open-end torque wrench (set to 72 in-lb)
- ESD grounding wrist strap

Removal Procedure

Refer to [Figure 7-20](#) for this procedure.

CAUTION Be careful not to damage the center pins of the semirigid cables. Some flexing of the cables is necessary to remove the assembly. However, do not over-bend the semirigid cables.

1. Disconnect the power cord.
2. Remove the outer cover. Refer to [“Removing the Covers” on page 7-6](#).
3. Position the analyzer bottom side up.
4. Disconnect four semirigid cables (item ①) from the A33 reference mixer switch.
5. Remove three screws (item ②) that secure the A33 reference mixer switch to the side of the test set deck.
6. Move the disconnected semirigid cables out of the way and lift the A33 reference mixer switch and mounting bracket out of the analyzer.
7. Disconnect the wire harness cable (item ③) from the A33 reference mixer switch.
8. Remove four screws (item ④) that attach the A33 reference mixer switch to its mounting bracket.

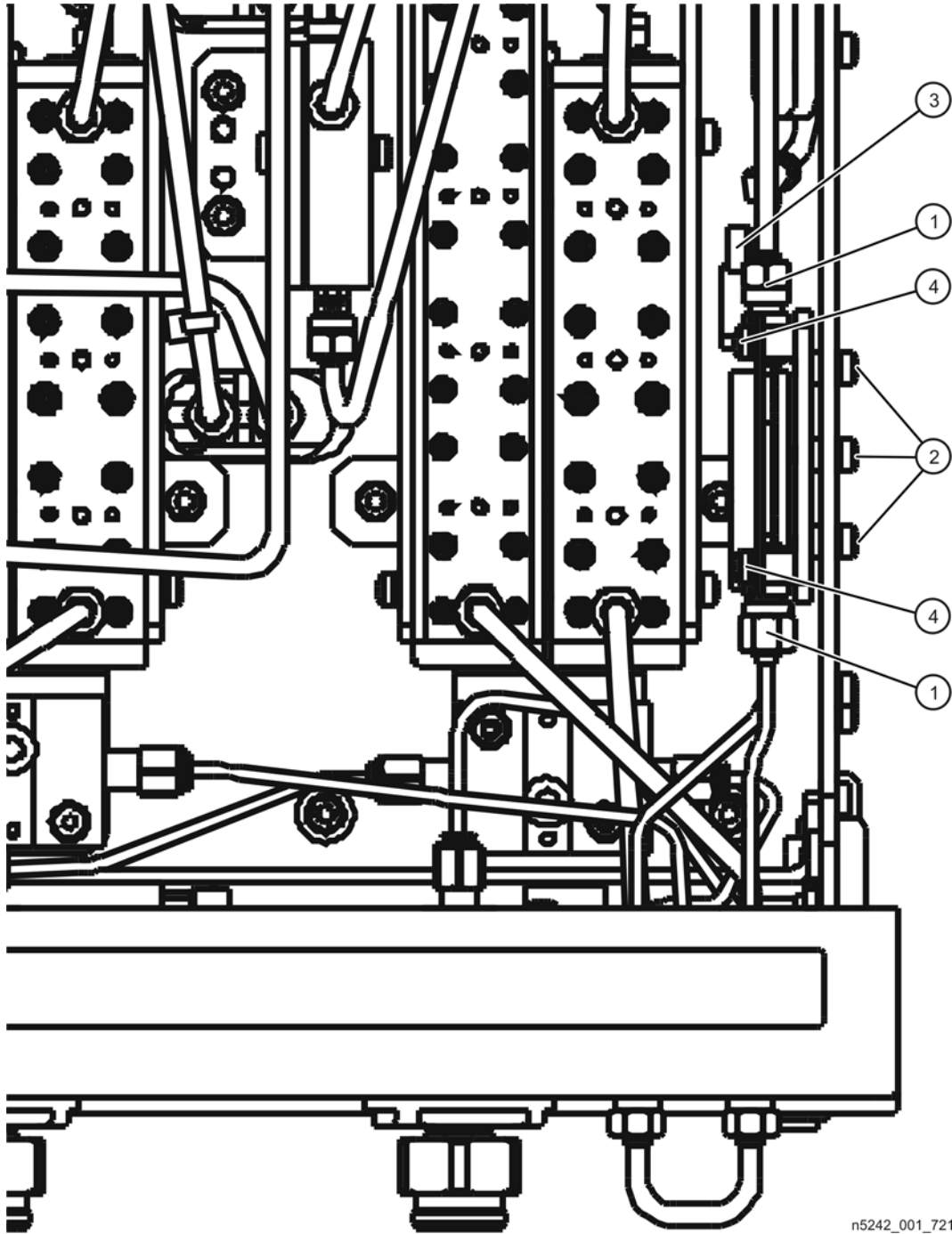
Replacement Procedure

1. Reverse the order of the removal procedure.

When reinstalling the A33 reference mixer switch into the analyzer, loosely install the three mounting screws (item ②). Connect the four semirigid cables (item ①) and torque the connectors to 10 in-lbs, then tighten the three mounting screws.

2. Perform the post-repair adjustments, verifications, and performance tests that pertain to this removal procedure. Refer to [Table 7-2 on page 7-72](#).

Figure 7-20 A33 Reference Mixer Switch Removal



n5242_001_721

Removing and Replacing the A34–A37 Source Attenuators, the A38–A41 Bias Tees, and the A42–A45 Receiver Attenuators

Tools Required

- T-10 TORX driver (set to 9 in-lb)
- T-20 TORX driver (set to 21 in-lb)
- 5/16-inch open-end torque wrench (set to 10 in-lb)
- ESD grounding wrist strap

Removal Procedure

Refer to [Figure 7-21](#) for this procedure.

CAUTION Be careful not to damage the center pins of the semirigid cables. Some flexing of the cables is necessary, but do not over-bend the semirigid cables.

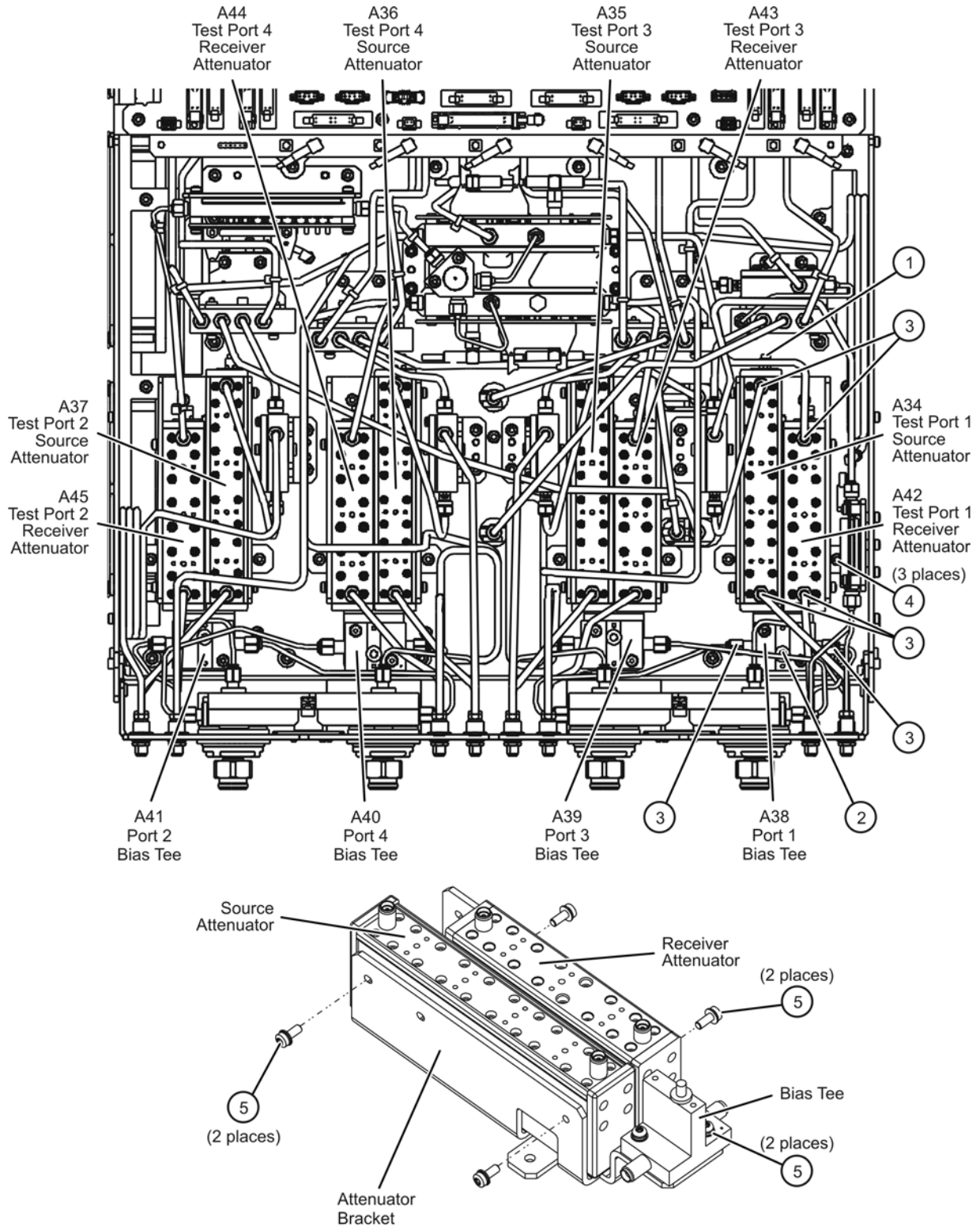
1. Disconnect the power cord.
2. Remove the outer cover. Refer to [“Removing the Covers”](#) on page 7-6.
3. Remove the front panel assembly. Refer to [“Removing and Replacing the Front Panel Assembly”](#) on page 7-8.
4. Position the analyzer bottom side up.
5. The source and receiver attenuator pair, the associated bias tee, and the bracket to which they are attached, must be removed as a complete assembly.
6. Disconnect the ribbon cable (item ①) from the attenuators to be removed.
7. Disconnect the wire harness cable (item ②), for the bias tee to be removed, from the A19 test set motherboard.
8. Disconnect two semirigid cables (item ③) from each step attenuator and from each bias tee to be removed. It may be necessary to remove additional cables to remove the attenuator bracket. If so, note the location and orientation of each for reinstallation later.
9. Remove three screws (item ④) that secure the attenuator bracket to the test set deck.
10. Move the disconnected semirigid cables out of the way and lift the attenuator bracket out of the analyzer, with the attenuators and bias tee attached.
11. Remove two screws (item ⑤) to remove the attenuator or bias tee to be replaced, from the mounting bracket.

Replacement Procedure

1. Reverse the order of the removal procedure.
Torque all cable connections to 10 in-lbs.
2. Perform the post-repair adjustments, verifications, and performance tests that pertain to this removal procedure. Refer to [Table 7-2](#) on page 7-72.

N5241A/42A Removing and Replacing the A34–A37 Source Attenuators, the A38–A41 Bias Tees, and the A42–A45 Receiver Attenuators

Figure 7-21 Source and Receiver Step Attenuators and Bias Tees Removal



n5242_001_722

Removing and Replacing the A38–A41 Bias Tees

Tools Required

- T-10 TORX driver (set to 9 in-lb)
- T-20 TORX driver (set to 21 in-lb)
- 5/16-inch open-end torque wrench (set to 10 in-lb)
- ESD grounding wrist strap

Removal Procedure

Refer to [Figure 7-22](#) for this procedure.

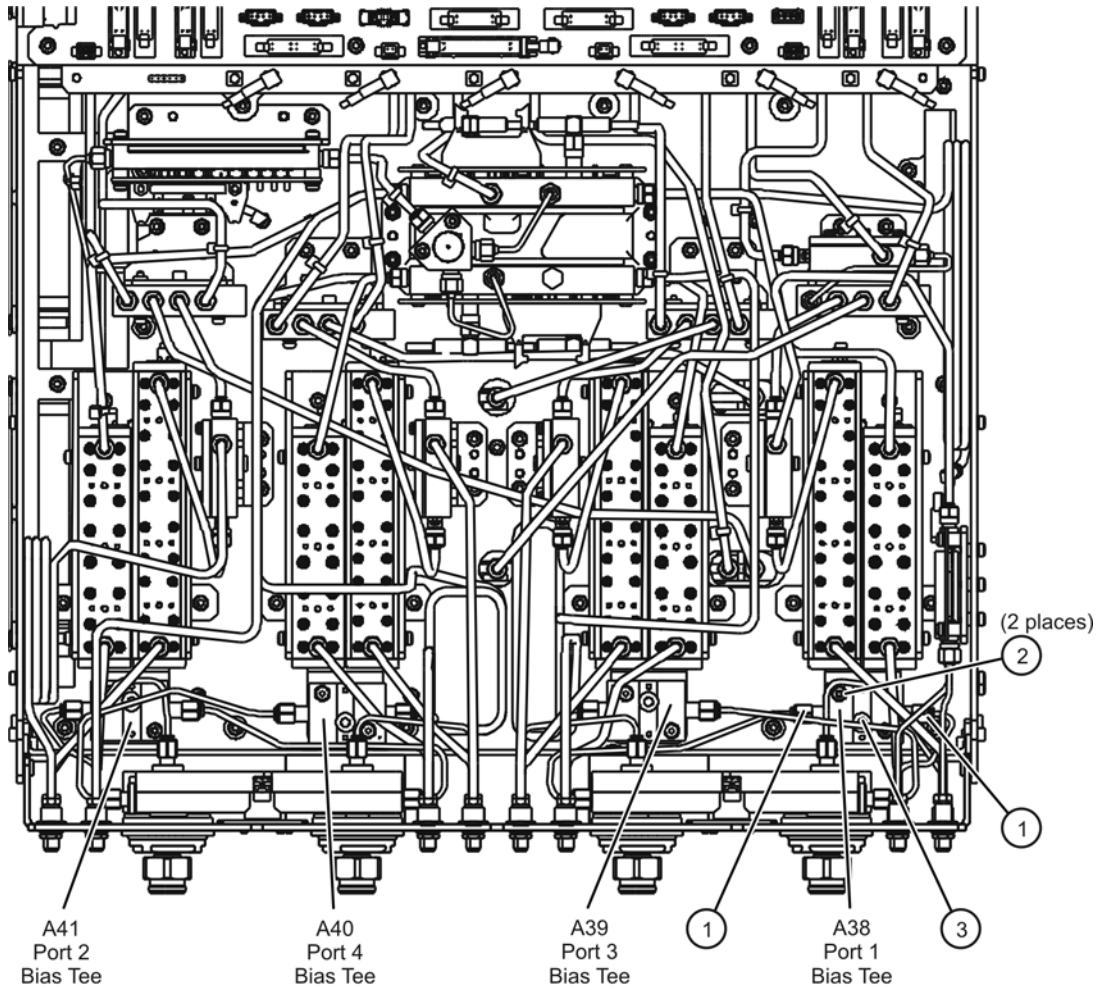
CAUTION Be careful not to damage the center pins of the semirigid cables. Some flexing of the cables is necessary to remove the assembly. However, do not over-bend the semirigid cables.

1. Disconnect the power cord.
2. Remove the outer cover. Refer to [“Removing the Covers”](#) on page 7-6.
3. Remove the front panel assembly. Refer to [“Removing and Replacing the Front Panel Assembly”](#) on page 7-8.
4. Position the analyzer bottom side up.
5. On some 4-port models, it may be necessary to remove the attenuator bracket to which the bias tee is attached to facilitate replacing the bias tee. If this is the case, refer to [“Removing and Replacing the A34–A37 Source Attenuators, the A38–A41 Bias Tees, and the A42–A45 Receiver Attenuators”](#) on page 7-46.
6. Disconnect two semirigid cables (item ①) from the bias tee to be removed.
7. Remove two screws (item ②) from the bias tee to be removed. Make note of the location of the wire harness cable ground wire for reinstallation later.
8. Disconnect the wire harness cable (item ③) from the bias tee.
9. Move the disconnected semirigid cables out of the way and remove the bias tee from the analyzer

Replacement Procedure

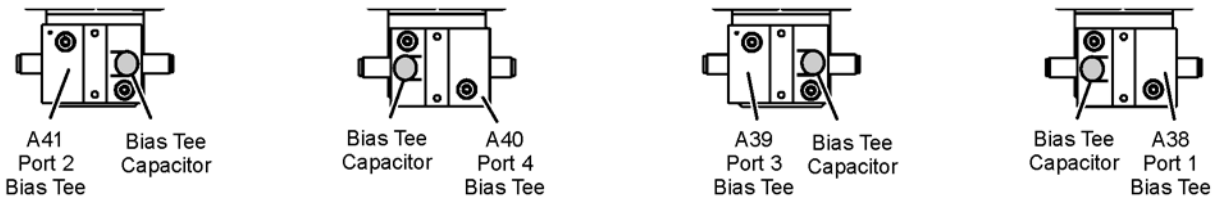
1. Reverse the order of the removal procedure.
Torque all cable connections to 10 in-lbs.
Remember to place the wire harness cable ground lug on the proper mounting screw.
2. As shown in [Figure 7-23](#), position the bias tees on the attenuator brackets so that the port 1 and port 3 bias tees capacitors face each other. The port 2 and port 4 bias tee capacitors should also face each other.
3. Perform the post-repair adjustments, verifications, and performance tests that pertain to this removal procedure. Refer to [Table 7-2 on page 7-72](#).

Figure 7-22 A38 through A41 Bias Tees Removal



n5242_001_723

Figure 7-23 Orientation of Bias Tee Capacitors



n5242_001_7

Removing and Replacing the A46–A49 Bypass Switches and the A50 Combiner

Tools Required

- T-10 TORX driver (set to 9 in-lb)
- T-20 TORX driver (set to 21 in-lb)
- 5/16 inch open-end torque wrench (set to 10 in-lb)
- ESD grounding wrist strap

Removal Procedure

Refer to [Figure 7-24](#) for this procedure.

CAUTION Be careful not to damage the center pins of the semirigid cables. Some flexing of the cables is necessary to remove the assembly. However, do not over-bend the semirigid cables.

1. Disconnect the power cord.
2. Remove the outer cover. Refer to [“Removing the Covers”](#) on page 7-6.
3. Position the analyzer bottom side up.
4. The bypass switches and the brackets to which they are attached, must be removed as a complete assembly. The A50 combiner is removed with the A46 bypass switch.
5. Disconnect four semirigid cables (item ①) from the bypass switch to be removed.

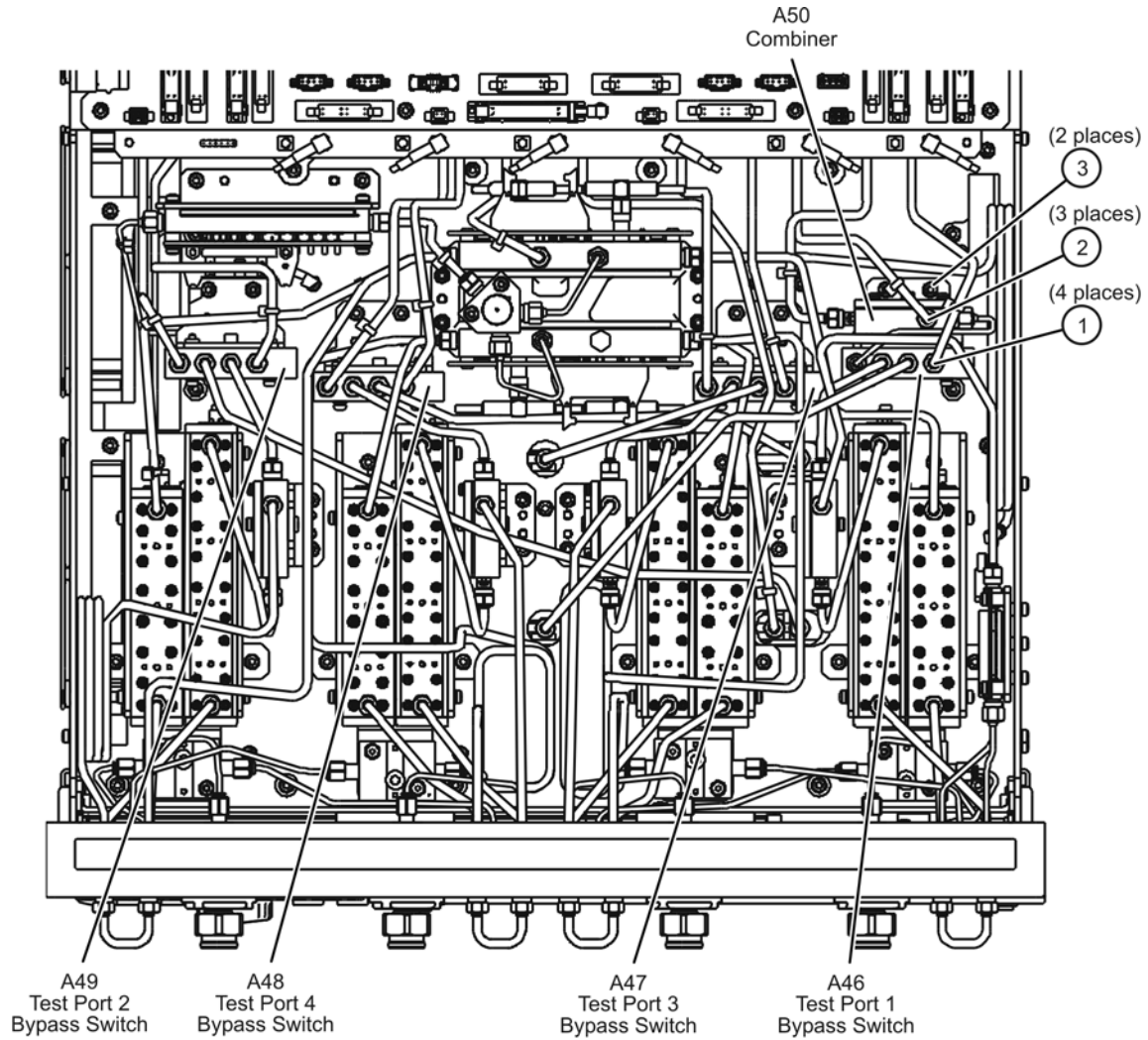
If removing the A46 bypass switch or the A50 combiner, disconnect three semirigid cables (item ②) from the A50 combiner.

6. Remove two screws (item ③) that secure the switch bracket to the test set deck.
7. Move the disconnected semirigid cables out of the way and remove the switch bracket, with the bypass switch attached, from the analyzer
8. Disconnect the wire harness cable from the bypass switch to be removed.
9. Remove two screws that attach the bypass switch or the A50 combiner to the switch bracket.

Replacement Procedure

1. Reverse the order of the removal procedure.
Torque all cable connectors to 10 in-lbs.
2. Perform the post-repair adjustments, verifications, and performance tests that pertain to this removal procedure. Refer to [Table 7-2](#) on page 7-72.

Figure 7-24 A46 through A49 Bypass Switches and A50 Combiner Removal



n5242_001_724

Removing and Replacing the A51 Hard Disk Drive (HDDA)

Certain unique files exist on the hard disk drive (HDD) that are necessary for proper operation of your analyzer. These files must be copied to another location to allow them to be installed onto the new HDD after it has been installed.

If you are replacing the HDD, the following procedure must be performed first.

Copy Unique Files from the Hard Disk

If the user has loaded unique calibration kit information, navigate to C:\Program Files\Agilent\Network Analyzer and copy USER_CALKITFILE to a USB flash memory drive. Also copy any personal user files that you wish to preserve.

Tools Required

- T-10 TORX driver (set to 7 in-lb; for hard disk drive replacement)
- T-10 TORX driver (set to 9 in-lb; for all other T-10 applications)
- ESD grounding wrist strap

HDDA Removal and Replacement Procedure (2.0 GHz CPU Board)

Refer to [Figure 7-25](#) for this procedure.

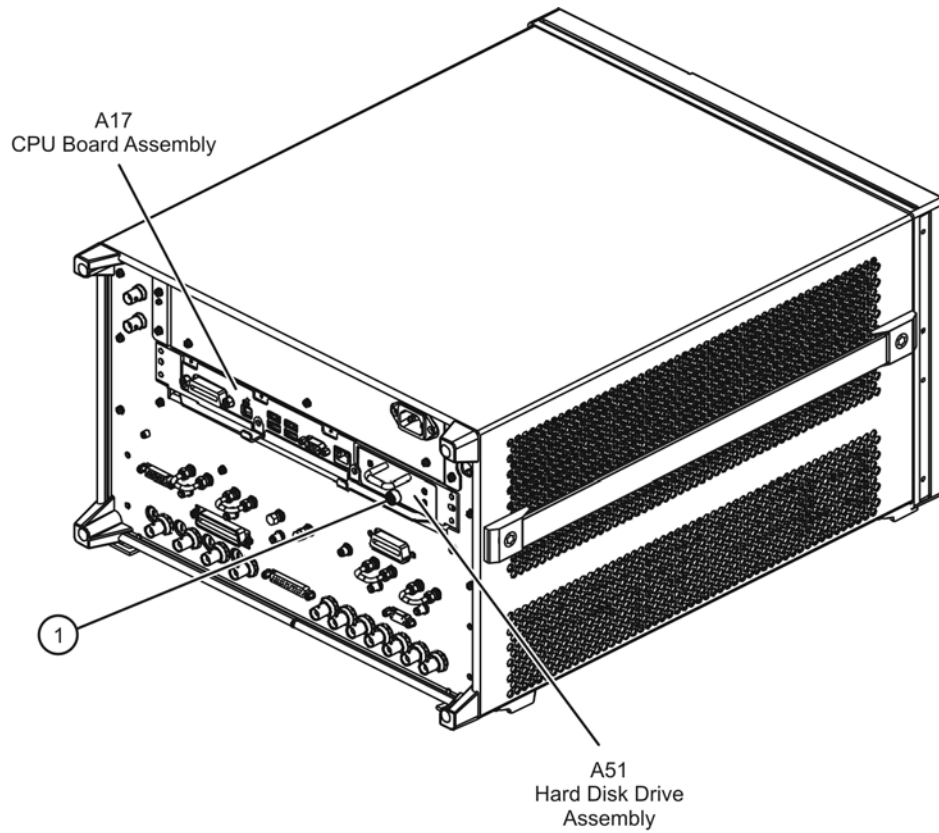
Removal

1. Disconnect the analyzer power cord.
2. Loosen the knurled nut (item ①) and pull the A51 HDDA out of the A17 CPU board.

Replacement

1. Slide the A51 HDDA into the A17 CPU board and tighten the knurled nut (item ①).

Figure 7-25 Hard Disk Drive Assembly Replacement (2.0 GHz CPU Board)



n5242_001_725.1

HDDA Removal and Replacement Procedure (1.6 GHz CPU Board)

Refer to [Figure 7-26](#) for this procedure.

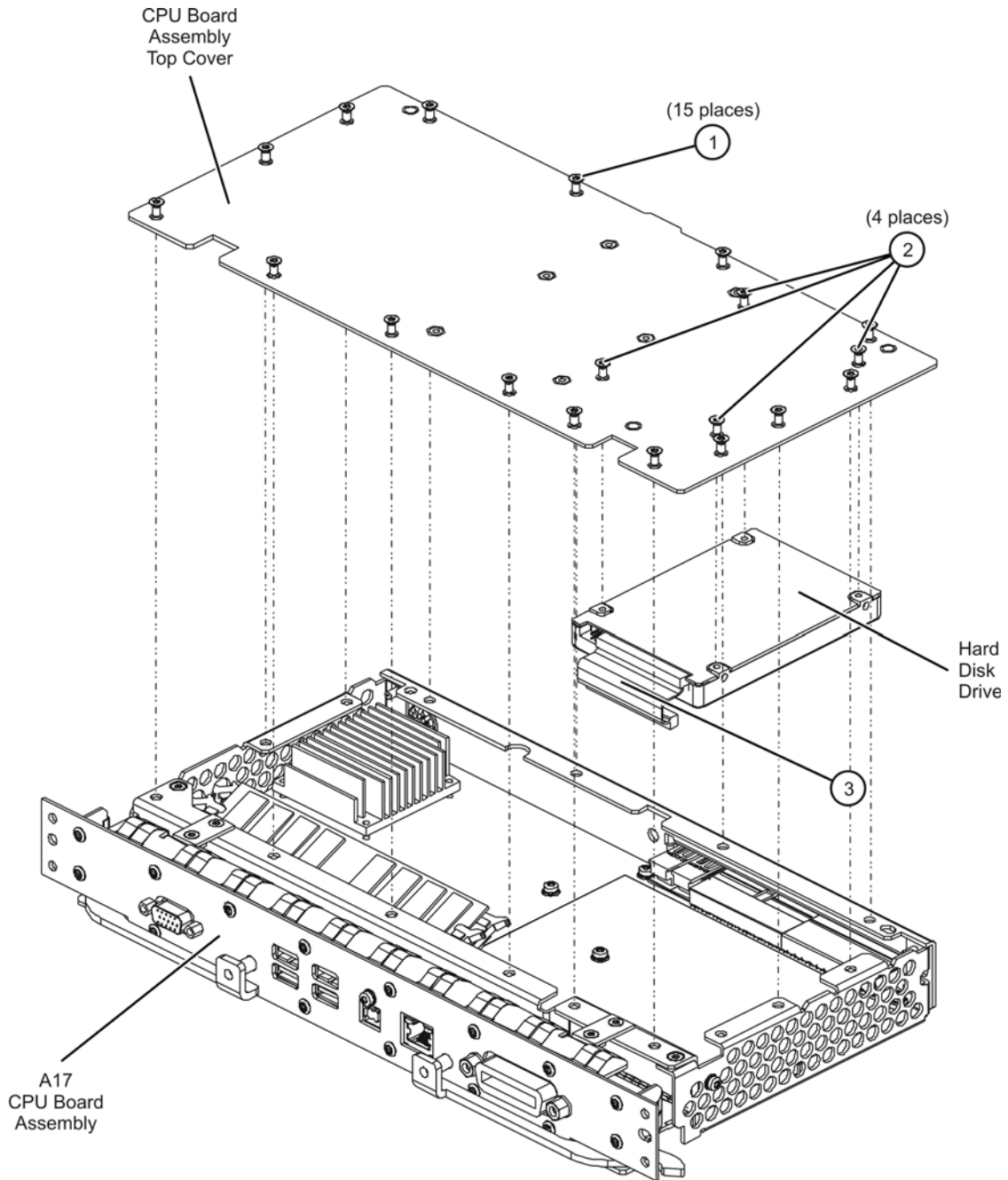
Removal

1. Disconnect the analyzer power cord.
2. Remove the A17 CPU board assembly. Refer to “[Removing and Replacing the A17 CPU Board Assembly](#)” on page 7-26.
3. Remove 15 screws (item ①) from the CPU board assembly top cover.
4. Lift the top cover enough to disconnect the A51 hard disk drive ribbon cable (item ③) at the CPU board and remove the top cover (with the A51 hard disk drive attached) from the A17 CPU board assembly.
5. Remove four screws (item ②) that secure the A51 hard disk drive to the CPU board assembly top cover. Remove the ribbon cable from the A51 hard disk drive.

Replacement

1. Reinstall the A51 hard disk drive into the analyzer:
 - a. Connect the ribbon cable (item ③) to the new A51 hard disk drive assembly.
 - b. Place the CPU board assembly top cover on the A51 hard disk drive assembly and install the four mounting screws (item ②).
 - c. Position the top cover (with the A51 hard disk drive assembly attached) over the A17 CPU board assembly and reconnect the ribbon cable (item ③) to the CPU board.
 - d. Align the top cover and install the fifteen attachment screws (item ①).

Figure 7-26 Hard Disk Drive Assembly Replacement (1.6 GHz CPU Board)



n5242_001_725

Set Up the Agilent Administrator Password

If the hard disk has been replaced, it is necessary to set up the Agilent administrator password for the analyzer. This requires obtaining a password from Agilent:

Obtaining a Password

- If this procedure is being performed by Agilent personnel, go to the following Internet site and follow the instructions under "Agilent Administrator Password".
<http://mktwww.soco.agilent.com/field/service/network/pna/support.htm>
- If this procedure is being performed by non-Agilent personnel, contact Agilent for a password before beginning this procedure. Refer to "Contacting Agilent" on page 2-14.

Entering Your Agilent Administrator Password

The network analyzer must be powered up and operating for this procedure.

1. On the **Windows Desktop**, right-click on **My Computer**, and then click **Manage**.
2. In the **Computer Management** window, navigate to **System Tools, Local Users and Groups, Users**.
3. Right-click on **Agilent**, and then click on **Set Password**.
 - a. Type the password obtained from Agilent as the **Password**. Refer to "Obtaining a Password" in this procedure for information if you have not yet obtained this password.
 - b. Type the password again in the **Confirm password** block.
 - c. Click **OK**.
4. Right-click on **Agilent**, and then click on **Properties**.
 - a. Unselect **User must change password at next logon** (if not already unselected).
 - b. Unselect **User cannot change password** (if not already unselected).
 - c. Select **Password never expires** (if not already selected).
 - d. Click **OK**.
5. Close the **Computer Management** window.

Install Backup Files onto the New Hard Disk Drive

The files that were previously saved onto a USB flash memory drive must now be installed onto the new HDD. The network analyzer must be powered up and operating.

Post-Repair Procedures

1. Adhere the new Certificate of Authenticity (license) label to the outer cover in the location specified in [Figure 7-1 on page 7-7](#).
2. Perform the post-repair adjustments, verifications, and performance tests that pertain to this removal procedure. Refer to [Table 7-2 on page 7-72](#).

Removing and Replacing the A52 and A53 Option 029 Test Port Switches

Tools Required

- T-10 TORX driver (set to 9 in-lb)
- T-20 TORX driver (set to 21 in-lb)
- 5/16-inch open-end torque wrench (set to 10 in-lb)
- ESD grounding wrist strap

Removal Procedure

Refer to [Figure 7-27](#) for this procedure.

CAUTION Be careful not to damage the center pins of the semirigid cables. Some flexing of the cables is necessary, but do not over-bend the semirigid cables.

1. Disconnect the power cord.
2. Remove the outer cover. Refer to [“Removing the Covers” on page 7-6](#).
3. Remove the front panel assembly. Refer to [“Removing and Replacing the Front Panel Assembly” on page 7-8](#).
4. Position the analyzer bottom side up.
5. The test port switch, the associated source and receiver attenuator pair, the associated bias tee, and the bracket to which they are attached, must be removed as a complete assembly.
6. Disconnect the ribbon cables (item ①) from the attenuators to be removed.
7. Disconnect the wire harness cable (item ②), for the test port switch to be removed, from the A55 noise downconverter.
8. Disconnect the semirigid cables (item ③) from the test port switch, each associated step attenuator, and each bias tee to be removed.
9. Disconnect two screws (item ④) from the bias tee to be removed. Lift the bias tee, with its wire harness attached, and place it aside.
10. Remove three screws (item ⑤) that secure the attenuator bracket to the test set deck.
11. Move the disconnected semirigid cables out of the way and lift the attenuator bracket out of the analyzer, with the attenuators and bias tee attached. It may be necessary to remove additional cables, or to remove some disconnected cables completely, to remove the attenuator bracket. If so, note the location and orientation of each for reinstallation later.
12. Remove two screws to remove the bias tee bracket from the switch to be replaced.
13. Remove two screws to remove the test port switch to be replaced, from the mounting bracket.

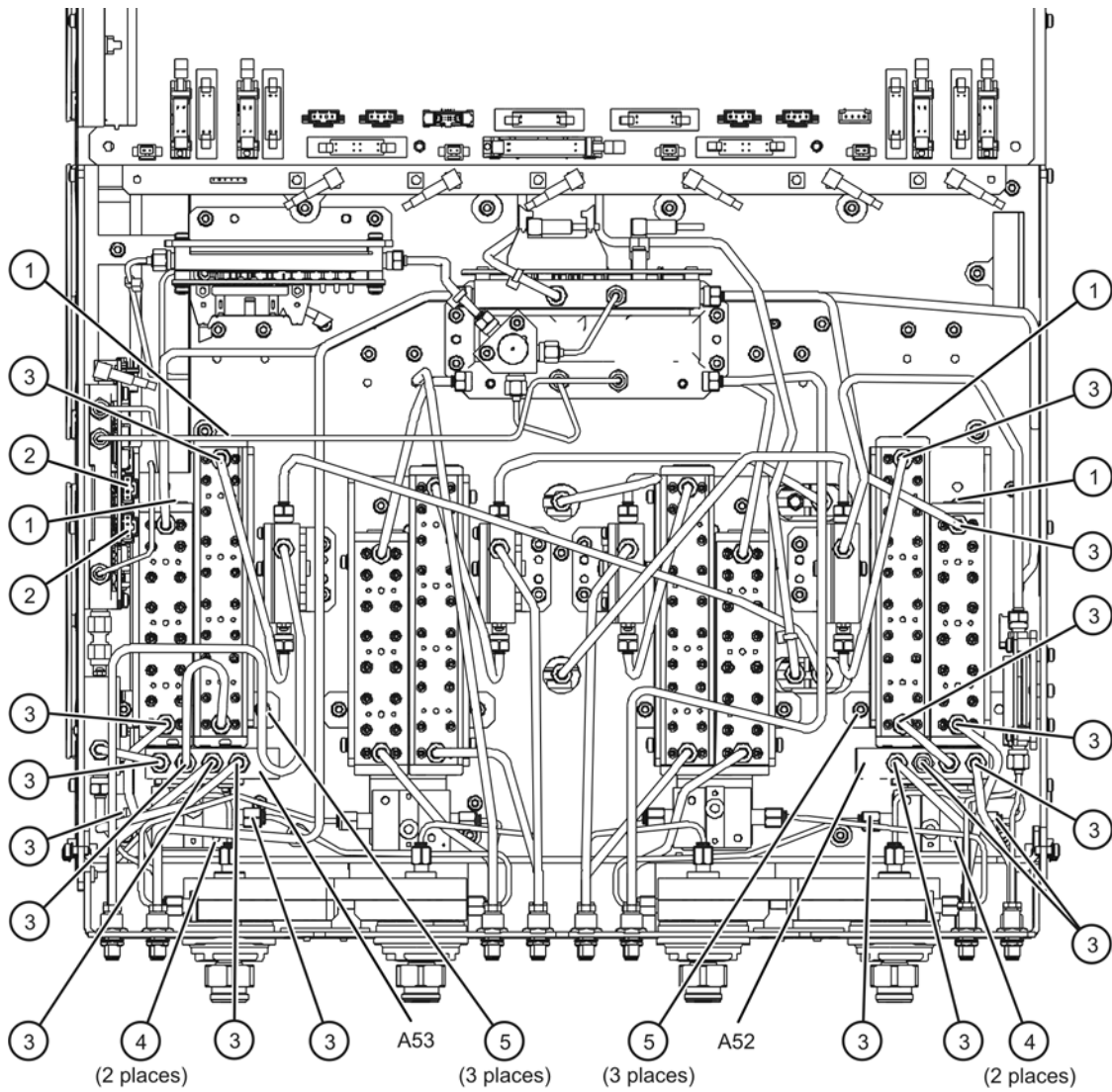
Replacement Procedure

1. Reverse the order of the removal procedure.
 - Be sure to install the bias tee bracket on the new switch and reinstall the bias tee once the bracket

has been reinstalled in the analyzer.

- Torque all cable connections to 10 in-lbs.
2. Perform the post-repair adjustments, verifications, and performance tests that pertain to this removal procedure. Refer to [Table 7-2](#) on page 7-72.

Figure 7-27 A52 and A53 Option 029 Test Port Switches Removal



n5242_001_729

Removing and Replacing the A54 Option 029 Test Port 2 Bridge and the A55 Option 029 Noise Downconverter

Tools Required

- T-10 TORX driver (set to 9 in-lb)
- T-20 TORX driver (set to 21 in-lb)
- 5/16-inch open-end torque wrench (set to 10 in-lb)
- ESD grounding wrist strap

Removal Procedure

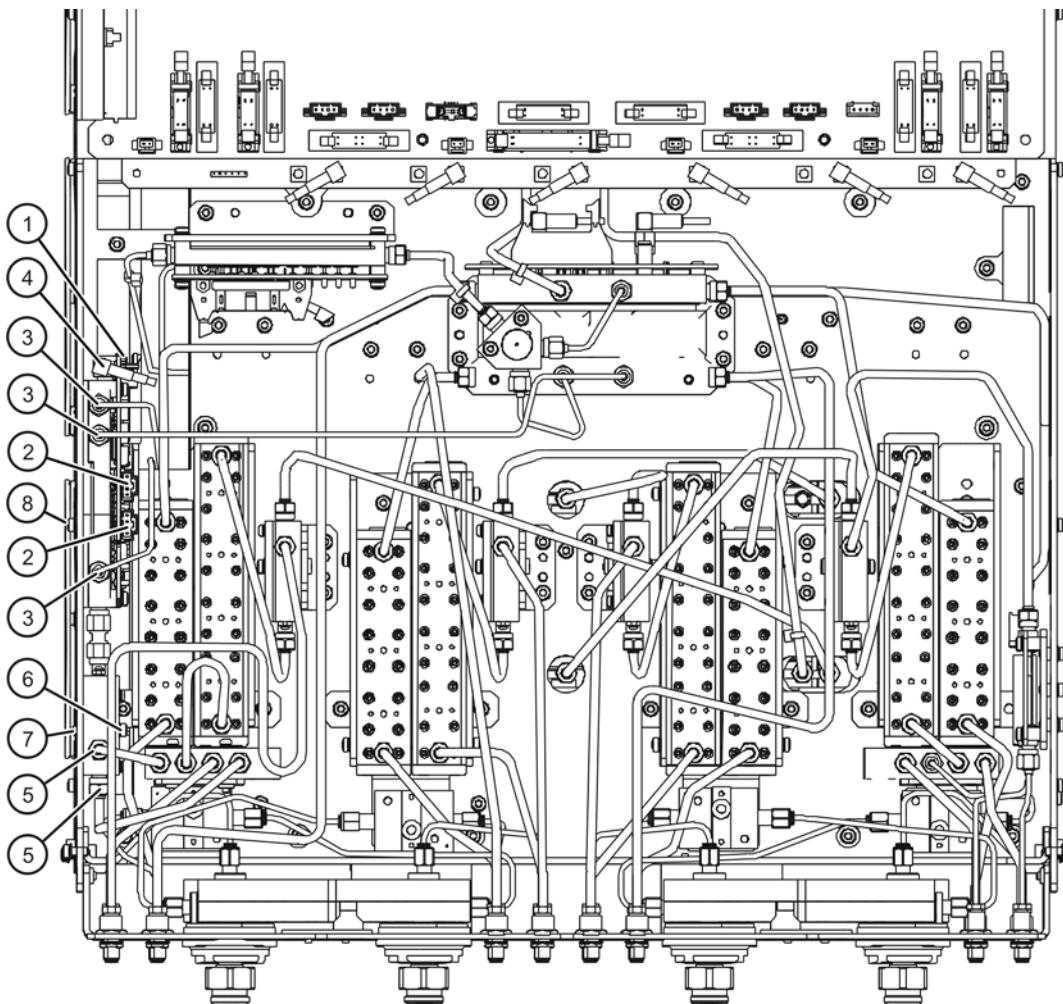
Refer to [Figure 7-28](#) for this procedure.

CAUTION Be careful not to damage the center pins of the semirigid cables. Some flexing of the cables is necessary, but do not over-bend the semirigid cables.

1. Disconnect the power cord.
2. Remove the outer cover. Refer to [“Removing the Covers”](#) on page 7-6.
3. Remove the front panel assembly. Refer to [“Removing and Replacing the Front Panel Assembly”](#) on page 7-8.
4. Position the analyzer bottom side up.
5. The A54 test port 2 bridge, the A55 noise downconverter, and the cable connecting these two assemblies, must be removed as a complete assembly.
6. Disconnect the ribbon cable (item ①) from the A55 noise downconverter.
7. Disconnect the wire harness cables (item ②), from the A55 noise downconverter.
8. Disconnect three semirigid cables (item ③) and one flexible RF cable (item ④) from the A55 noise downconverter.
9. Disconnect two semirigid cables (item ⑤) from the A54 test port 2 bridge.
10. Remove the hex nut (item ⑥) and the screw (item ⑦) that secure the A54 test port 2 bridge to the side frame.
11. Remove three screws (item ⑧) that secure the A55 noise downconverter to the side frame.
12. Move the disconnected cables out of the way and lift out the A54/A55 assembly.
13. Remove the assembly to be replaced.

N5241A/42A Removing and Replacing the A54 Option 029 Test Port 2 Bridge and the A55 Option 029 Noise Downconverter**Replacement Procedure**

1. Reverse the order of the removal procedure.
 - When reassembling the A54/A55 assembly, lay the assemblies on a flat surface while installing and tightening the interconnecting cable (adapter) to ensure that these assemblies will be flush with the side frame when installed.
 - Torque all cable connections to 10 in-lbs.
2. Perform the post-repair adjustments, verifications, and performance tests that pertain to this removal procedure. Refer to [Table 7-2 on page 7-72](#).

Figure 7-28 A54 Option 029 Test Port Bridge and A55 Noise Downconverter Removal

n5242_001_730

Removing and Replacing the Rear Panel

Tools Required

- T-10 TORX driver (set to 9 in-lb)
- T-20 TORX driver (set to 21 in-lb)
- ESD grounding wrist strap

Removal Procedure

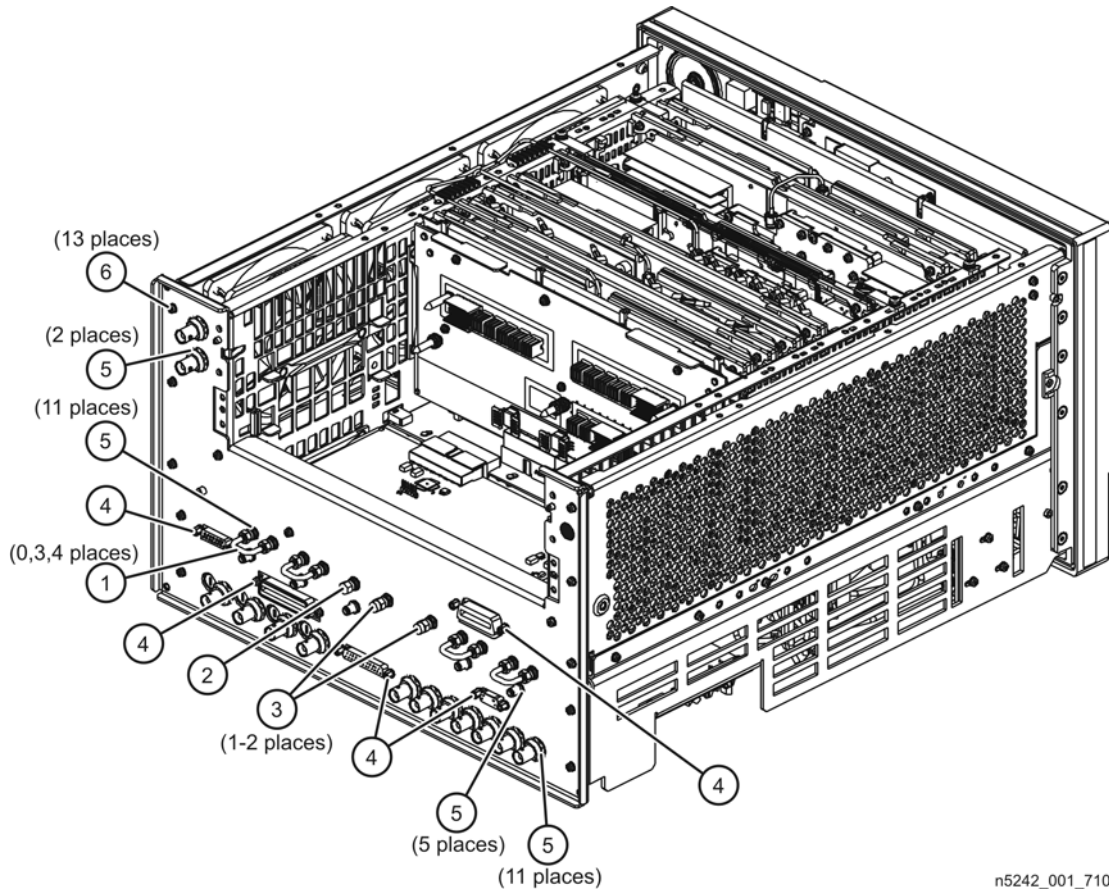
Refer to [Figure 7-29](#) for this procedure.

1. Disconnect the power cord.
2. Remove the outer and inner covers. Refer to [“Removing the Covers” on page 7-6](#).
3. Remove the A16 power supply assembly. Refer to [“Removing and Replacing the A16 Power Supply Assembly” on page 7-24](#).
4. Remove the A17 CPU board assembly. Refer to [“Removing and Replacing the A17 CPU Board Assembly” on page 7-26](#).
5. Remove all jumper cables (item ①) from the rear panel.
6. Remove the short (item ②) and the 50 ohm load(s) (item ③).
7. Remove the connector hardware (item ④) from each of the five multi-pin connectors. The hardware is not the same on each connector so note which hardware goes with which connector.
8. Remove the connector hardware (item ⑤) from each of the RF connectors. The hardware is not the same on each connector so note which hardware goes with which connector.
9. Remove the 13 screws (item ⑥) that attach the rear panel to the chassis.
10. Slide the rear panel over the cable connectors and off of the analyzer.

Replacement Procedure

1. Reverse the order of the removal procedure.
2. Perform the post-repair adjustments, verifications, and performance tests that pertain to this removal procedure. Refer to [Table 7-2 on page 7-72](#).

Figure 7-29 Rear Panel Removal



n5242_001_710

Removing and Replacing the Front Panel LED Boards

Tools Required

- T-10 TORX driver (set to 9 in-lb)
- T-20 TORX driver (set to 21 in-lb)
- 5/16 inch open-end torque wrench (set to 10 in-lb)
- 1 inch open-end torque wrench (set to 72 in-lb)
- ESD grounding wrist strap

Removal Procedure

Refer to [Figure 7-19](#) for this procedure.

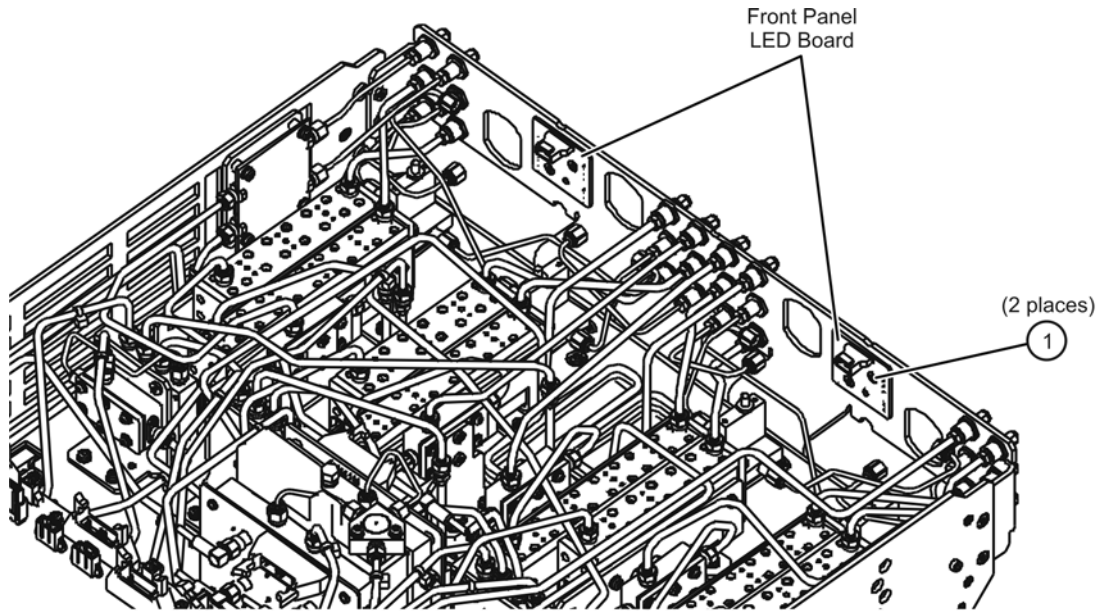
CAUTION Be careful not to damage the center pins of the semirigid cables. Some flexing of the cables is necessary to remove the assembly. However, do not over-bend the semirigid cables.

1. Disconnect the power cord.
2. Remove the test port couplers. Refer to [“Removing and Replacing the A29–A32 Test Port Couplers” on page 7-42](#).
3. Remove two screws (item ①) from the LED board to be removed and remove the LED board from the analyzer.

Replacement Procedure

1. Reverse the order of the removal procedure.
2. Perform the post-repair adjustments, verifications, and performance tests that pertain to this removal procedure. Refer to [Table 7-2 on page 7-72](#).

Figure 7-30 Front Panel LED Boards Removal



n5242_001_726

Removing and Replacing the Fans

Tools Required

- T-10 TORX driver (set to 9 in-lb)
- T-20 TORX driver (set to 21 in-lb)
- Pozidriv screw driver
- 5/16 inch open-end torque wrench (set to 10 in-lb)
- ESD grounding wrist strap

Removal Procedure

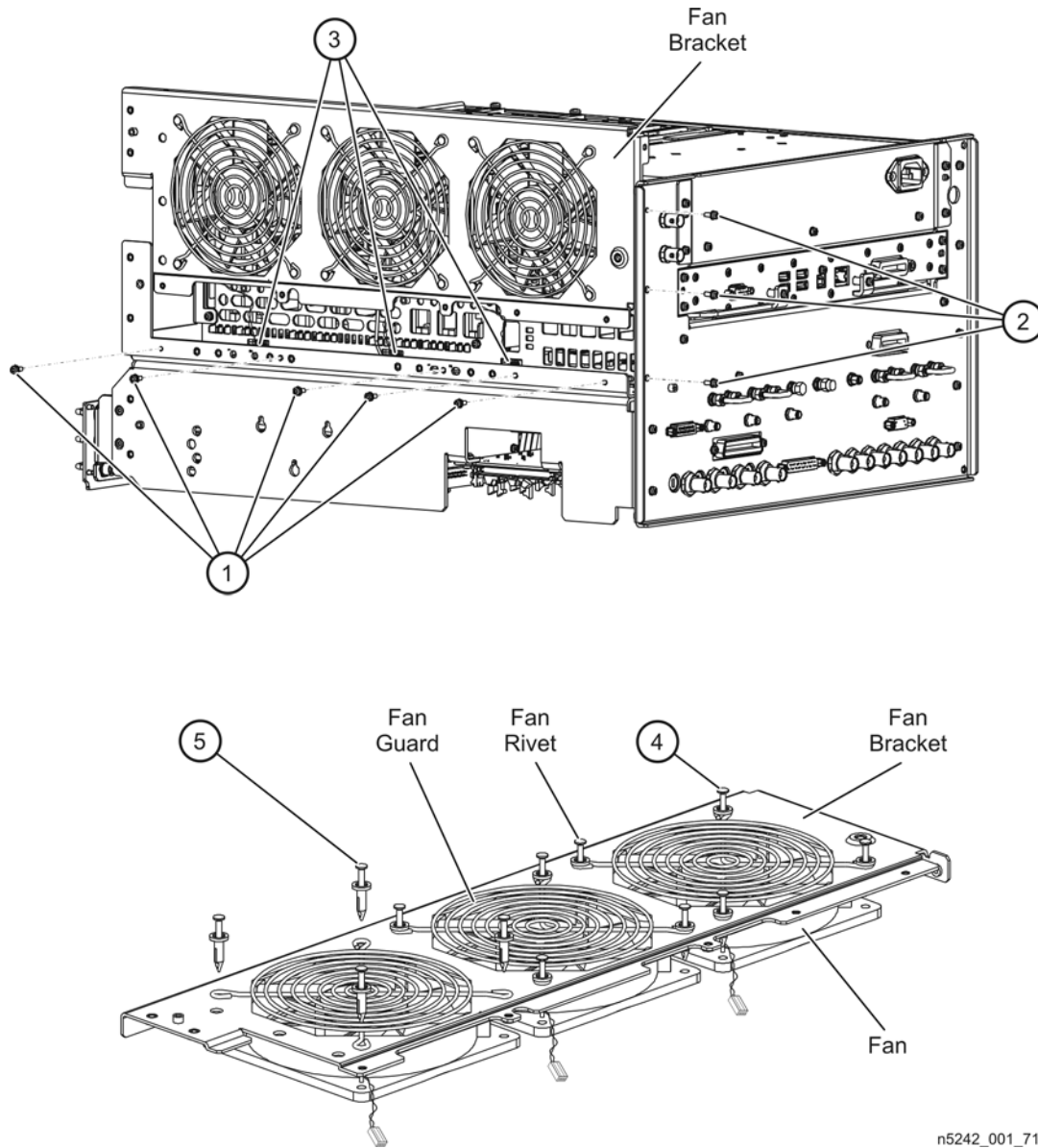
Refer to [Figure 7-31](#) for this procedure.

1. Disconnect the power cord.
2. Remove the outer and inner covers. Refer to [“Removing the Covers” on page 7-6](#).
3. Remove the front panel assembly. Refer to [“Removing and Replacing the Front Panel Assembly” on page 7-8](#).
4. Remove the power supply bracket. It is not necessary to remove the entire power supply, just the power supply bracket. Refer to [“Removing and Replacing the A16 Power Supply Assembly” on page 7-24](#).
5. Remove five screws (item ①) that attach the fan bracket to the chassis.
6. Remove three screws (item ②) that attach the rear panel to the fan bracket.
7. Raise the fan bracket out of the analyzer just enough to access the fan cables. Disconnect the fan cables from the A14 system motherboard connectors (item ③).
8. Remove the fan bracket and fans from the analyzer.
9. To remove a fan or fan guard from the fan bracket:
 - a. Before removing a fan or fan guard, note the orientation of each fan and fan guard for reinstallation.
 - b. Pull up the center pin of each of the fan rivets as shown by (item ④) in the illustration.
 - c. Pull out the rivet completely (as shown by (item ⑤) in the illustration) to release the fan and fan guard.

Replacement Procedure

1. Reverse the order of the removal procedure.
2. Perform the post-repair adjustments, verifications, and performance tests that pertain to this removal procedure. Refer to [Table 7-2 on page 7-72](#).

Figure 7-31 B1 Fan Removal



n5242_001_713

Removing and Replacing the Lithium Battery

Tools Required

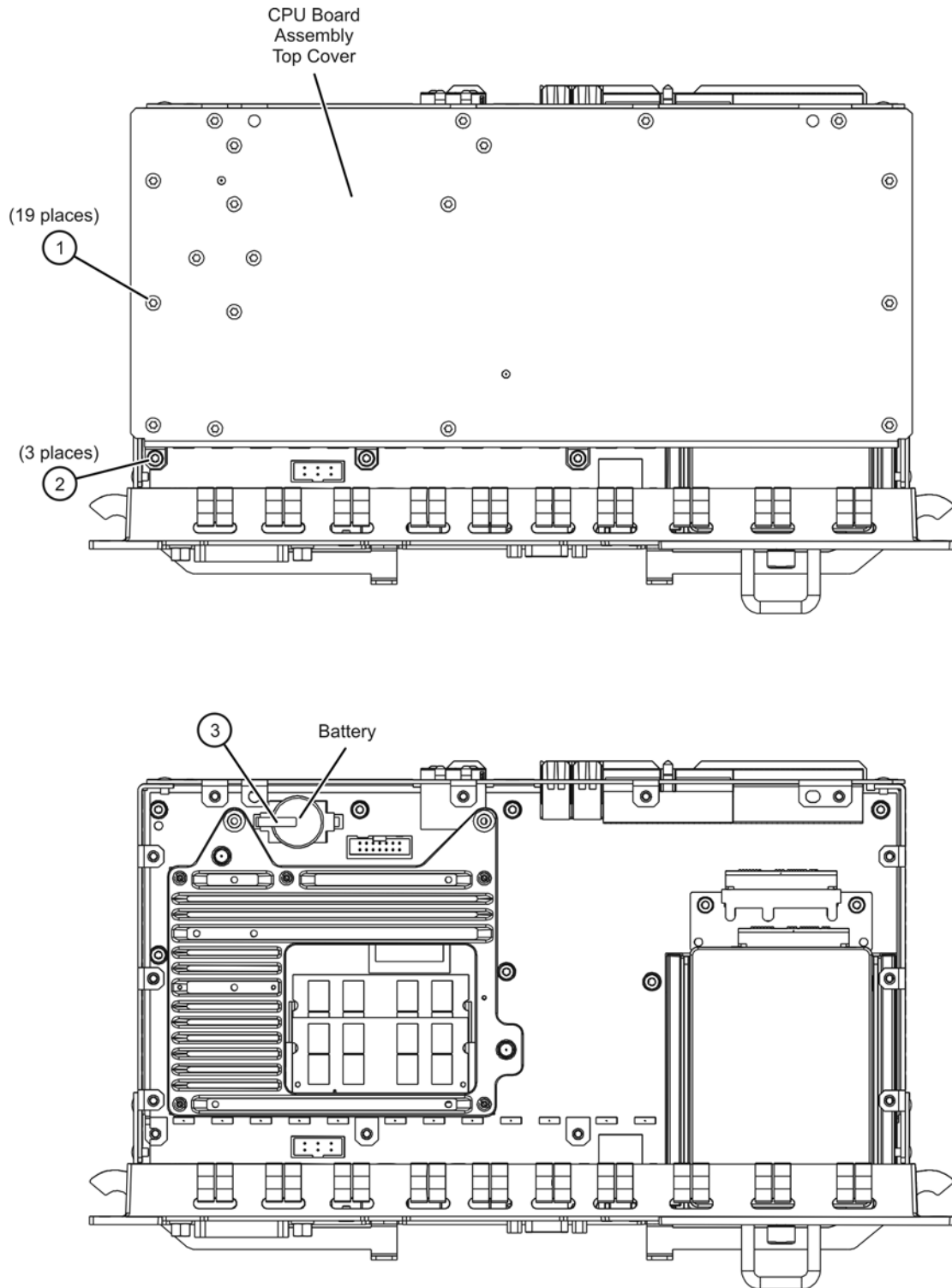
- T-10 TORX driver (set to 9 in-lb)
- T-20 TORX driver (set to 21 in-lb)
- ESD grounding wrist strap

Removal Procedure (2.0 GHz CPU Board)

Refer to [Figure 7-32](#) for this procedure.

1. Disconnect the power cord.
2. Remove the outer and inner covers. Refer to [“Removing the Covers” on page 7-6](#).
3. Remove the A17 CPU board. Refer to [“Removing and Replacing the A17 CPU Board Assembly” on page 7-26](#).
4. Remove top cover attachment screws (item ①) and (item ②).
5. Lift the top cover off of the CPU board assembly.
6. Remove the battery from the battery holder by lifting it at the open end of the holder and then sliding it from under the clip (item ③).
7. DO NOT THROW AWAY THE BATTERY. COLLECT IT AS SMALL CHEMICAL WASTE. Refer to [“Lithium Battery Disposal” on page 1-8](#) for additional information on battery disposal.

Figure 7-32 Lithium Battery Removal (2.0 GHz CPU Board)



n5242_001_728.1

Removal Procedure (1.6 GHz CPU Board)

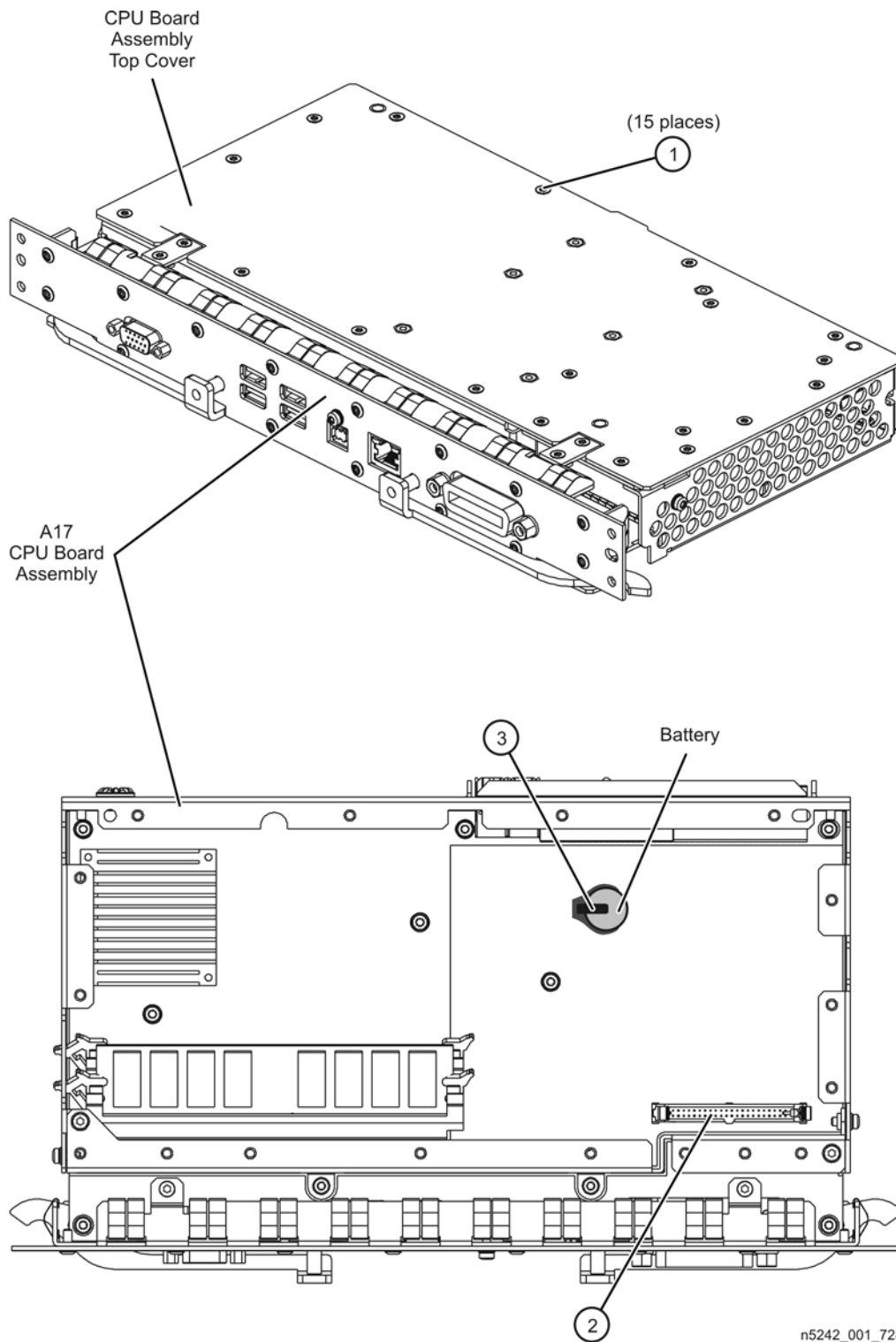
Refer to [Figure 7-33](#) for this procedure.

1. Disconnect the power cord.
2. Remove the outer and inner covers. Refer to “[Removing the Covers](#)” on page 7-6.
3. Remove the A17 CPU board. Refer to “[Removing and Replacing the A17 CPU Board Assembly](#)” on page 7-26.
4. Remove 15 top cover attachment screws (item ①).
5. Lift the top cover enough to disconnect the hard disk drive cable (item ②) from the CPU board, then remove the top cover (with the hard disk drive attached) from the A17 CPU board assembly.
6. Remove the battery from the battery holder by lifting it at the open end of the holder and then sliding it from under the clip (item ③).
7. DO NOT THROW AWAY THE BATTERY. COLLECT IT AS SMALL CHEMICAL WASTE. Refer to “[Lithium Battery Disposal](#)” on page 1-8 for additional information on battery disposal.

Replacement Procedure

1. Reverse the order of the removal procedure following all instructions included with the new battery.
2. Perform the post-repair adjustments, verifications, and performance tests that pertain to this removal procedure. Refer to [Table 7-2 on page 7-72](#).

Figure 7-33. Lithium Battery Removal (1.6 GHz CPU Board)



Post-Repair Procedures

After the replacement of an assembly, you must perform the service procedures in the order listed in [Table 7-2](#).

Procedures referenced in this table are located in [Chapter 3, “Tests and Adjustments,”](#) unless specified otherwise.

Table 7-2 Related Service Procedures

Replaced Assembly	Adjustments and Other Procedures	Verification, Performance, and Other Tests and Procedures
A1 front panel display board	No adjustment needed	Front Panel Keypad and RPG Test and A3 Display Test in Chapter 4
A2 USB board	No adjustment needed	Check for proper operation
A3 display assembly	No adjustment needed	A3 Display Test in Chapter 4
A4 13.5 GHz source 1 synthesizer board	Synthesizer Bandwidth Adjustment EE Default Adjustment Source Adjustment IF Gain Adjustment Receiver Characterization Receiver Adjustment	Frequency Accuracy Test Source Power Accuracy Test Source Maximum Power Output Test Source Power Linearity Test The Operator’s Check
A5 26.5 GHz source board	Source Adjustment Receiver Adjustment	Frequency Accuracy Test Source Power Accuracy Test Source Maximum Power Output Test Source Power Linearity Test The Operator’s Check
A8 26.5 GHz source board	Source Adjustment Receiver Adjustment	Frequency Accuracy Test Source Power Accuracy Test Source Maximum Power Output Test Source Power Linearity Test The Operator’s Check
A10 frequency reference board	10 MHz Frequency Reference Adjustment Restore option data (Refer to “Repairing and Recovering Option Data” in Chapter 8 .)	Frequency Accuracy Test
A11 13.5 GHz LO synthesizer board	Synthesizer Bandwidth Adjustment EE Default Adjustment Source Adjustment IF Gain Adjustment Receiver Characterization Receiver Adjustment	Frequency Accuracy Test Source Power Accuracy Test Source Maximum Power Output Test Source Power Linearity Test The Operator’s Check
A12 SPAM board	No adjustment needed	Noise Floor Test Trace Noise Test

Table 7-2 Related Service Procedures (Continued)

Replaced Assembly	Adjustments and Other Procedures	Verification, Performance, and Other Tests and Procedures
A13 13.5 GHz source 2 synthesizer board	Synthesizer Bandwidth Adjustment EE Default Adjustment Source Adjustment IF Gain Adjustment Receiver Characterization Receiver Adjustment	Frequency Accuracy Test Source Power Accuracy Test Source Maximum Power Output Test Source Power Linearity Test The Operator's Check
A14 system motherboard	No adjustment needed	Front Panel Keypad and RPG Test and A3 Display Test in Chapter 4 The Operator's Check
A15 midplane board	No adjustment needed	None needed
A16 power supply assembly	No adjustment needed	None needed
A17 CPU board	No adjustment needed	The Operator's Check
A18 GPIB board	No adjustment needed	None needed
A19 test set motherboard	Run Eeprom backup.exe at directory C:/program file/agilent/network analyzer/service/Eeprom backup.exe. Save EEPROM backup; Restore TSMB from EEPROM backup. Reinstall the serial number. (Refer to “Installing or Changing a Serial Number” in Chapter 8 .) Re-enable all hardware options. (Refer to “Option Entitlement Certificate” in Chapter 8 .)	The Operator's Check
A20 IF multiplexer board	IF Gain Adjustment Receiver Adjustment	The Operator's Check
A21 HMA26.5	EE Default Adjustment Source Adjustment IF Gain Adjustment Receiver Characterization Receiver Adjustment	Frequency Accuracy Test Source Power Accuracy Test Source Maximum Power Output Test Source Power Linearity Test The Operator's Check
A22 splitter	Source Adjustment Receiver Adjustment	Frequency Accuracy Test Source Power Accuracy Test Source Maximum Power Output Test Source Power Linearity Test The Operator's Check

Table 7-2 Related Service Procedures (Continued)

Replaced Assembly	Adjustments and Other Procedures	Verification, Performance, and Other Tests and Procedures
A23 and A24 mixer bricks	Receiver Adjustment	Receiver Compression Test Noise Floor Test Calibration Coefficients Test Dynamic Accuracy Test
A25–A28 bridges	Source Adjustment Receiver Adjustment	Source Maximum Power Output Test Calibration Coefficients Test
A29–A32 test port couplers	Source Adjustment Receiver Adjustment	Source Maximum Power Output Test Calibration Coefficients Test
A33 reference mixer switch	No adjustment needed	The Operator’s Check
A34–A37 source step attenuators	Source Adjustment Receiver Adjustment	Source Maximum Power Output Test Calibration Coefficients Test
A38–A41 bias tees	Source Adjustment Receiver Adjustment	Source Maximum Power Output Test Calibration Coefficients Test
A42–A45 receiver step attenuators	Source Adjustment Receiver Adjustment	Source Maximum Power Output Test Calibration Coefficients Test
A46–A49 mechanical switches	Source Adjustment Receiver Adjustment	Source Maximum Power Output Test Calibration Coefficients Test
A50 combiner	Source Adjustment Receiver Adjustment	Source Maximum Power Output Test Calibration Coefficients Test
A51 hard disk drive	Restore previously saved receiver calibration data ^a (or perform Receiver Adjustment)	Read and write to the drive
B1 fan	No adjustment needed	Check for fan operation
Battery	No adjustment needed	None

a. If a backup copy of receiver calibration data from the faulty disk drive is available, it can be copied to the new disk drive. If not, new data must be generated by performing the “Receiver Adjustment.”

8 General Purpose Maintenance Procedures

Information in This Chapter

Chapter Eight at-a-Glance

Section Title	Summary of Content	Start Page
Error Terms	How to use error terms as a preventive maintenance and troubleshooting tool.	page 8-3
Option Enable Utility	How to use the option enable utility to: <ul style="list-style-type: none">• enable options that have been added to your analyzer,• repair lost or damaged option data,• install or change a serial number.	page 8-13
Firmware Upgrades	How to check your analyzer's current firmware revision and where to locate firmware upgrades.	page 8-17
Operating System Recovery	Where to find the information on recovering from a damaged operating system.	page 8-18
Correction Constants	How to store correction constants after making adjustments to your analyzer.	page 8-19

Conventions Used for Hardkeys, Softkeys, and Menu Items

The following conventions are used in this document:

Hardkey

This represents a "hardkey", a key that is physically located on the instrument.

Softkey

This represents a "softkey", a key whose label is determined by the instrument firmware.

Menu Item

This represents an item in a drop-down or pop-up menu.

Error Terms

Using Error Terms as a Diagnostic Tool

By examining error terms, you can monitor system performance for preventive maintenance and troubleshooting purposes.

The magnitude and shape of the error terms are affected by:

- calibration kit devices
- cables
- adapters and accessories
- the assemblies from the signal separation group of the analyzer

Calibration kit devices, cables, and adapters and accessories are the most common cause of error term anomalies. Make sure of the following:

- Connectors must be clean, gaged, and within specification.
- Use proper connection technique during measurement and calibration. For information on connection technique and on cleaning and gaging connectors, refer to [“Review the Principles of Connector Care” on page 3-5](#) or to the calibration kit’s user’s and service guide.

Preventive Maintenance

If you print or plot the error terms at set intervals (weekly, monthly and so forth), you can compare current error terms to these records. A stable system should generate repeatable error terms over long intervals, (for example, six months). Look for the following:

- A long-term trend often reflects drift, connector and cable wear, or gradual degradation, indicating the need for further investigation and preventive maintenance. Yet, the system may still conform to specifications. The cure is often as simple as cleaning and gaging connectors and cables.
- A sudden shift in error terms may indicate the need for troubleshooting.

Troubleshooting

You can use the error terms as a tool to isolate faulty assemblies in the signal separation group of your analyzer. You can compare the current values to preventive maintenance records or to the typical values listed in [Table 8-5 on page 8-10](#).

To find assemblies related to error term failures, refer to error term descriptions in [“Error Term Data” on page 8-10](#). Each description lists common assemblies related to each error term. Identify the assembly and refer to [Chapter 4, “Troubleshooting.”](#)

NOTE Always suspect calibration devices, cables, or improper connector maintenance as the primary cause of an error term anomaly.

Performing Measurement Calibration

A calibration must be performed to allow the analyzer to calculate the error terms before they can be used

as a tool:

CAUTION Perform the following procedure only at a static-safe workstation, and wear a grounded wrist strap.

This is important. If not properly protected against, electrostatic discharge can seriously damage your analyzer, resulting in costly repair.

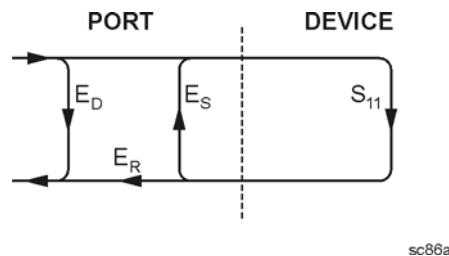
To reduce the chance of electrostatic discharge, follow all of the recommendations outlined in [“Electrostatic Discharge Protection”](#) on page 1-6, when performing the following calibration.

1. Connect a type-N cable to Port 2.
2. Perform a full 2-port calibration, **FULL SOLT 2-Port**. Refer to embedded help in the analyzer if necessary.

Using Flowgraphs to Identify Error Terms

Flowgraphs are a graphical representation of signal flow through the measurement path. The flowgraphs in [Figure 8-1](#), [Figure 8-2](#), [Figure 8-3](#), and [Figure 8-4](#) illustrate the error terms associated with measurement calibration for 1-port, 2-port, 3-port, and 4-port configurations respectively.

Figure 8-1 Flowgraph of One-Port Error Terms for Port 1



where:

E = Error term

Subscript:

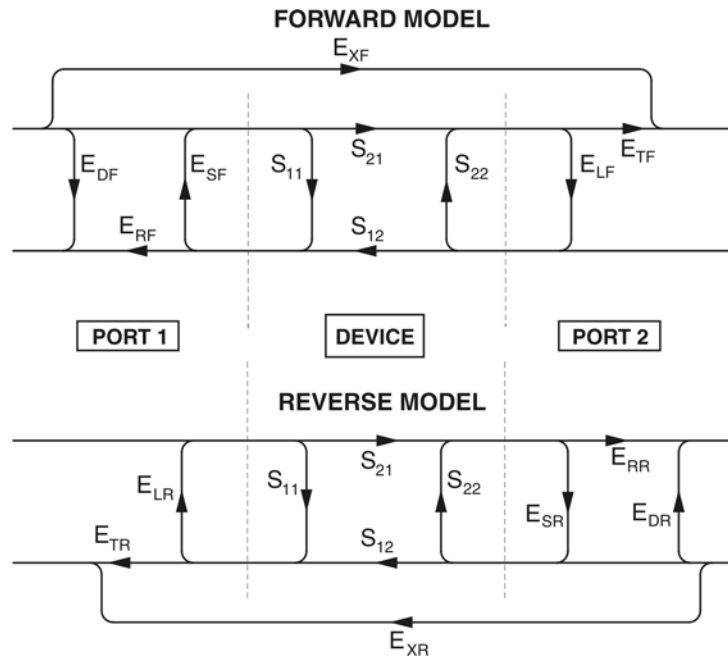
D = Directivity

S = Source Match

R = Reflection Tracking

The error terms are the same for a one port measurement on Port 2 (S_{22}).

Figure 8-2 Flowgraph of Two-Port Error Terms



sc87a.cdr

where:

E = error term

1st Subscript:

D = Directivity

S = Source Match

R = Reflection Tracking

X = Crosstalk (Isolation)

L = Load Match

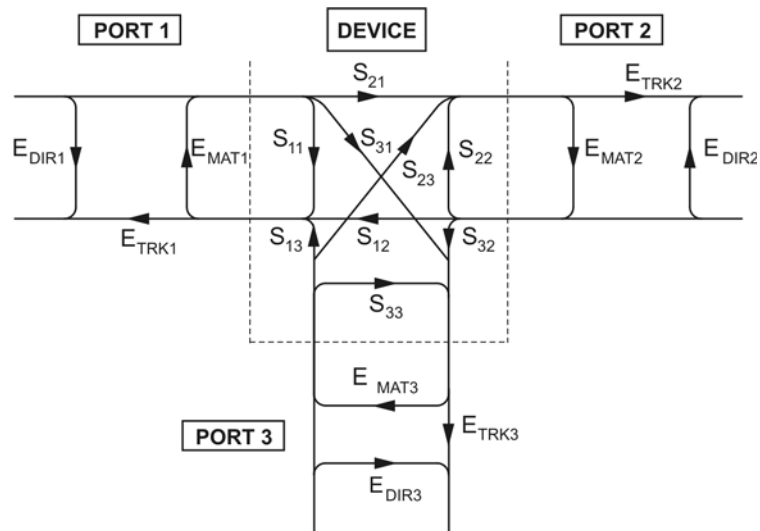
T = Transmission Tracking

2nd Subscript:

F = forward measurement (Ports 1 to Port 2)

R = reverse measurement (Ports 2 to Port 1)

Figure 8-3 Flowgraph of Three-Port Error Terms



sz348a

where:

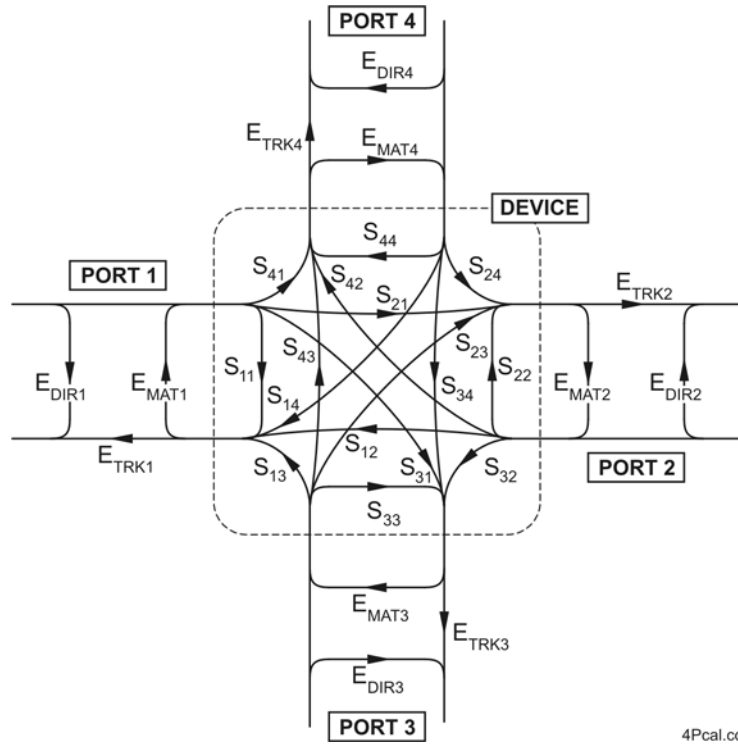
- E = error term
- DIR = Directivity
- MAT = Forward Source Match and Reverse Load Match
- TRK = Forward Reflection Tracking and Reverse Transmission Tracking

For the case of a full 3-port calibration, port 1 has three Match error terms:

- S₁₁ source match
 - S₁₂ load match
 - S₁₃ load match
- and three Tracking error terms:
- S₁₁ reflection tracking
 - S₁₂ transmission tracking
 - S₁₃ transmission tracking

There are six isolation terms not shown.

Figure 8-4 Flowgraph of Four-Port Error Terms



4Pcal.cdr

where:

E = error term

DIR = Directivity

MAT = Forward Source Match and Reverse Load Match

TRK = Forward Reflection Tracking and Reverse Transmission Tracking

For the case of a full 4-port calibration, port 1 has

four Match error terms:

S11 source match

S12 load match

S13 load match

S14 load match

and four Tracking error terms:

S11 reflection tracking

S12 transmission tracking

S13 transmission tracking

S12 transmission tracking

There are eight isolation (crosstalk) terms not shown.

Accessing Error Terms

Error terms can be accessed either manually or programmatically:

Manually

- “Front Panel Access to Error Terms” on page 8-8

Programmatically

- “GPIB Access to Error Terms” on page 8-9
- “COM/DCOM Access to Error Terms” on page 8-9

Manual Access to Error Terms

Front Panel Access to Error Terms

NOTE Ensure that calibration correction is active by pressing RESPONSE **Cal** and verifying that the softkey label reads **Correction ON/off**. If not, press the **Correction on/OFF** key and it will toggle to read **Correction ON/off**.

To access the error terms from the front panel, perform the following steps:

1. Press RESPONSE **Cal**, then **Manage Cals**. Verify that **Cal Set Viewer ON/off** is **ON**. If not, press the softkey to toggle it **ON**.
The **Cal Set Viewer** toolbar appears directly above the trace window.
2. In the **Cal Set** list, select the desired cal set.
3. Click the **Standards** or **Error Terms** button to view the raw measurement data from the standard or the corrected error term data.
4. In the **Standard** or **Error Terms** list, select the standard or error terms to view. Click the **Enable** check box to enable the selection.
5. Compare the displayed measurement trace to previously measured data or to the uncorrected performance specifications listed in [Table 8-5 on page 8-10](#).
6. Print numerical data or print a plot of the measurement results.

Programmatic Access to Error Terms

GPIB Access to Error Terms You can access error terms by way of GPIB with Standard Commands for Programmable Instruments (SCPI).

For more information on GPIB and SCPI, refer to the embedded help in the analyzer. Type in keyword “errors, systematic” in the index.

COM/DCOM Access to Error Terms You can access error terms by way of Component Object Model (COM) or Distributed Component Object Model (DCOM) software architecture.

For more information on COM and DCOM, refer to the embedded help in the analyzer. Type in keyword “errors, systematic” in the index.

Error Term Data

The error term descriptions in this section include the following information:

- a table of the error terms
- description and significance of each error term
- measurements affected by each error term
- typical cause of failure for each error term

The same description applies to both the forward (F) and reverse (R) terms.

IMPORTANT Data are listed here as a convenience only. Detailed instrument specifications are listed in the embedded help in the network analyzer.

If Error Terms Seem Worse than Expected

To verify that the system still conforms to specifications, perform a system verification. Refer to [Chapter 3, “Tests and Adjustments”](#).

Figure 8-5 Error Term Data^a

Parameter (All options, all ports)	Frequency Range					
	10 MHz to 50 MHz	50 MHz to 3.2 GHz	3.2 GHz to 10 GHz	10 GHz to 16 GHz	16 GHz to 24 GHz	24 GHz to 26.5 GHz
Directivity	16 dBm	24 dBm	23 dBm	16 dBm	16 dBm	16 dBm
Source Match	11 dBm	18 dBm	14 dBm	12 dBm	10 dBm	8 dBm
Load Match	11 dBm	17 dBm	13 dBm	10 dBm	9 dBm	8 dBm
	10 MHz to 50 MHz	50 MHz to 100 MHz	100 MHz to 500 MHz	500 MHz to 3.2 GHz	3.2 GHz to 20 GHz	20 GHz to 26.5 GHz
Crosstalk ^b	-84 dBm	-90 dBm	-110 dBm	-120 dBm	-122 dBm	-117 dBm

- The data in this table are uncorrected system performance. The values apply over an environmental temperature range of 25 °C ±5 °C, with less than 1 °C deviation from the calibration temperature.
- All crosstalk values are typical. Measurement conditions: normalized to a thru, measured with two shorts, 10 Hz IF bandwidth, averaging factor of 8, alternate mode, source power set to the lesser of the maximum power out or the maximum receiver power.

Directivity (E_{DF} and E_{DR})

E_{DF} and E_{DR} are the uncorrected forward and reverse directivity error terms of the system. The directivity error of the test port is determined by measuring the S_{11} and S_{22} reflection of the calibration kit load. The load has a much better return loss specification than does the uncorrected test port. Therefore, any power detected from this measurement is assumed to be from directivity error.

The measurements most affected by directivity errors are measurements of low reflection devices.

Typical Cause of Failure The *calibration kit load* is the most common cause of directivity specification failure.

If the load has been gaged and its performance independently verified, suspect the analyzer *test port coupler*.

To troubleshoot, refer to [“Checking the Signal Separation Group” on page 4-34](#).

Source Match (E_{SF} and E_{SR})

E_{SF} and E_{SR} are the forward and reverse uncorrected source match terms of the driven port. They are obtained by measuring the reflection (S_{11} , S_{22}) of an open, and a short that are connected directly to the ports. Source match is a measure of the match of the coupler, as well as the match between all components from the source to the output port.

The measurements most affected by source match errors are reflection and transmission measurements of highly reflective DUTs.

Typical Cause of Failure The *calibration kit open or short* is the most common cause of source match specification failure.

If the open or short performance has been independently verified, then suspect the analyzer *switch splitter, step attenuator, or coupler*.

To troubleshoot, refer to [“Checking the Signal Separation Group” on page 4-34](#).

Load Match (E_{LF} and E_{LR})

Load match is a measure of the impedance match of the test port that terminates the output of a 2-port device. The match of test port cables is included in this response. Load match error terms are characterized by measuring the S_{11} and S_{22} responses of a “thru” configuration during the calibration procedure.

The measurements most affected by load match errors are all transmission measurements, and reflection measurements of a low insertion loss two-port device, such as an airline.

Typical Cause of Failure The *calibration kit load or a bad “thru” cable* is the most common cause of load match specification failure.

If the load and cable performance are independently verified, then suspect the analyzer *test port coupler, step attenuator, or the test receiver* at the bad port.

To troubleshoot, refer to [“Checking the Receiver Group” on page 4-38](#) or to [“Checking the Signal Separation Group” on page 4-34](#).

Isolation (Crosstalk) (E_{XF} and E_{XR})

Isolation, or crosstalk, is the uncorrected forward and reverse isolation error terms that represent leakage between the test ports and the signal paths. The isolation error terms are characterized by measuring transmission (S_{21} , S_{12}) with loads attached to both ports during the measurement calibration. Isolation errors affect transmission measurements primarily where the measured signal level is very low.

The measurements most affected by isolation error terms are DUTs with large insertion loss. Since these terms are low in magnitude, they are usually noisy (not very repeatable).

Typical Cause of Failure A loose cable connection or leakage between components in the test set are the most likely cause of isolation problems.

After verifying the cable and its connections, suspect the analyzer *switch splitter, step attenuator, coupler, or receivers, and associated cabling*.

To troubleshoot, refer to [“Checking the Receiver Group” on page 4-38](#) or to [“Checking the Signal Separation Group” on page 4-34](#).

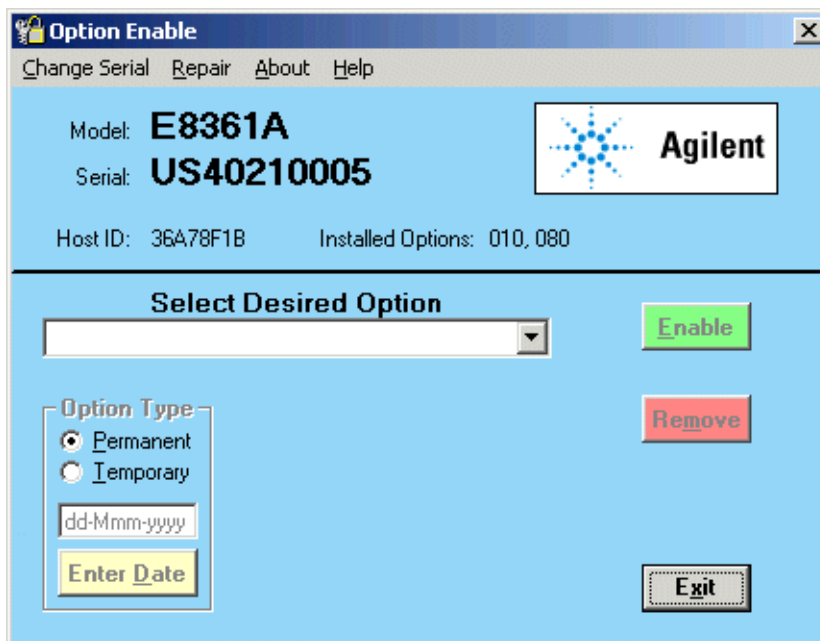
Option Enable Utility

Accessing the Option Enable Utility

To start the option enable utility:

- Press UTILITY **System**, then **Service**, then **Option Enable**.
- A dialog box similar to the one illustrated in [Figure 8-6](#) is displayed.

Figure 8-6 Option Enable Dialog Box



Option Entitlement Certificate

If you have received an “Option Entitlement Certificate”, follow the instructions on the certificate, under “HOW TO USE THIS CERTIFICATE:”, to obtain license key(s) for the option(s) listed on the certificate. See the important note below.

NOTE When upgrading from one model number to another, a new option entitlement certificate will be issued. When this certificate is redeemed for a license key, the automated system will ask for the instrument's Host ID. Be sure to use the new Host ID that is associated with the new model number. Using the current Host ID will cause a license to be generated that will not work with the instrument. To determine the new Host ID, use the utility at the below listed web site with the new model number.

<http://na.tm.agilent.com/pna/upgrades.html>

Enabling or Removing Options

There are two types of options:

- **Hardware:** Hardware options involve adding additional hardware to the analyzer. After the proper hardware has been installed in the analyzer, the option can be enabled using the option enable utility. It is necessary to re-enable all installed hardware options if the test set motherboard is replaced.
- **Software:** Software options add features or functionality to the analyzer without the need for additional hardware. These options are enabled using the option enable utility and require a special license key.

NOTE Some applications require a license key that is provided by Agilent. If you do not have the required license key, contact Agilent for assistance. Refer to [“Contacting Agilent” on page 2-14.](#)

It is necessary to backup all installed software options if the frequency reference board is replaced.

To enable or remove an option:

1. Start the option enable utility. Refer to [“Accessing the Option Enable Utility” on page 8-13.](#)
2. Click the arrow in the **Select Desired Option** box. A list of available options, similar to the list below, will appear.
 - 020 - Add IF inputs
 - 021 - Pulse Modulator on Source 1
 - 022 - Pulse Modulator on Source 2
 - 025 - 4-Receiver Pulse Generator
 - 029 - Full Noise Measurements
 - 086 - Gain Compression Application
 - 087- IMD Measurements
 - 219 - Src/Rcvr Atten & Bias Ts 2-Port
 - 419 - Src/Rcvr Atten & Bias Ts 4-Port
 - 224 - 2nd Src w/Combiner & Switches
 - 423 - Combiner & Switches
 - ??? - Enter Unlisted Option
3. Click on the option that you wish to either enable or remove, and then click **Enable** or **Remove**, whichever is appropriate.
4. If the desired option is not available in the list, select: **“??? - Enter Unlisted Option”**. A dialog box appears that will allow you to enter the option number. Enter the option number and follow the instructions on the display.

Repairing and Recovering Option Data

License, option, and model number data are stored in an EEPROM on the frequency reference board and written into the gen.lic file on the hard disk drive. If the data stored in either of these items is lost, it can be recovered from the other item.

If the data on both the hard disk drive and the frequency reference board is lost, it can not be recovered. Contact Agilent for assistance. Refer to [“Contacting Agilent” on page 2-14](#).

Recovery of Data After Repair

- If the frequency reference board is replaced, use the **Repair** selection to recover data that has been lost as a result of the repair:
 1. Select **Repair** from the **Option Enable** menu bar (see [Figure 8-6 on page 8-13](#)).
 2. Click the **Freq Ref board has been replaced** check box.
 3. Click **Begin Repair**. The data is written from the gen.lic file into the EEPROM.
- If the hard disk drive is replaced, a new gen.lic file is automatically created when the **Network Analyzer** application starts, by retrieving the data from the EEPROM.

Recovery of Data if Option or Model Numbers are Incorrect

If the analyzer option or model numbers are not listed correctly on the analyzer display, in either the Option Enable Dialog Box or the About Network Analyzer display, you should regenerate the options license file, gen.lic:

1. Exit the **Network Analyzer** application.
2. Remove (or rename) the existing gen.lic file:
 - a. Open **Windows Explorer** and navigate to C:\Program Files\Agilent\Network Analyzer.
 - b. Delete (or rename) gen.lic.
3. Exit the **Windows Explorer** application.
4. Open the **Network Analyzer** application. The application will generate a new gen.lic file when it starts.
5. Check the option listing:
 - a. Press UTILITY **System**, then **Service**, then **Option Enable** or
 - b. Press UTILITY **System**, then **Help**, then **About NA...**
6. If the options are still not listed correctly, contact Agilent for assistance. Refer to [“Contacting Agilent” on page 2-14](#).

Installing or Changing a Serial Number

It is necessary to reinstall the instrument serial number if the test set motherboard is replaced.

IMPORTANT Use extreme care when entering the serial number, as only one attempt is allowed.

1. To change a serial number, select **Change Serial** from the **Option Enable** menu bar (see [Figure 8-6 on page 8-13](#)). The current serial number is displayed. If no serial number has previously been entered, the word "NONE" will be displayed.
2. VERY CAREFULLY, type the new serial number into the space provided and then click **Change**.
3. If an error is made in entering the serial number, obtain a clear code from Agilent, enter the clear code in the space provided and click **CLEAR**. The correct serial number can then be entered.

NOTE To change an incorrect serial number, a clear-code password is required. Contact Agilent to obtain the clear-code. Refer to ["Contacting Agilent" on page 2-14](#).

Firmware Upgrades

How to Check the Current Firmware Version

1. Press UTILITY **System**, then **Help**, then **About NA...**.

A dialog box showing the current installed Application Code Version is displayed.

2. To determine if a firmware update is available, proceed to ["Downloading from the Internet."](#)

Downloading from the Internet

If your network analyzer is connected to the Internet, there are two methods available for checking the availability of, and downloading, new firmware:

- Download directly from: <http://www.agilent.com/find/pna>. (Select your analyzer's model number in this web site to view available upgrades.)
- Press UTILITY **System**, then **Service**, then **AgileUpdate**.

AgileUpdate compares the firmware revision currently installed in your network analyzer to the latest version available and assists you in downloading and installing the most recent version.

Operating System Recovery

Recovering from Hard Disk Drive Problems

If you suspect that you have a hard disk drive problem, go to the “Hard Drive Recovery” link on the Agilent PNA Series: Service & Support Home Page on the Internet.

The URL for the Agilent PNA Series: Service & Support Home Page is:

<http://na.tm.agilent.com/pna/>

The URL for the Hard Drive Recovery page is:

<http://na.tm.agilent.com/pna/hdrecovery.html>

Correction Constants

The analyzer stores many correction constants in non-volatile EEPROM memory. These constants enable the analyzer to produce accurate, leveled source signals and receive clean test signals.

Storing Correction Constants

After performing any adjustment listed on [page 3-36](#) in this manual, store the correction constants to a backup file on the analyzer hard disk drive by performing these steps:

- Navigate to the EEPROM Backup Utility, located at:
C:\Program Files\Agilent\Network Analyzer\Service\eebackup.exe
- Run the program.
- Click Backup EEPROM.
- Click Exit when the program has finished.

Numerics

008, pulsed-RF measurements, [2-3](#)
010, time domain option, [2-4](#)
020, IF inputs option, [2-4](#)
021, source 1 pulse modulator option, [2-4](#)
022, source 2 pulse modulator option, [2-4](#)
025, four internal pulse generators, [2-4](#)
028, noise figure measurement capability using standard receivers, [2-4](#)
029, noise figure measurement capability, [2-5](#)
080, frequency offset mode option, [2-5](#)
082, scalar calibrated converter measurements option, [2-5](#)
083, vector and scalar calibrated frequency converter measurements option, [2-5](#)
13.5 GHz LO synthesizer board
operation, [5-10](#)
part number, [6-14](#)
removal and replacement
illustrated, [7-16](#), [7-19](#)
procedure, [7-14](#), [7-17](#)
troubleshooting, [4-31](#)
13.5 GHz source 1 synthesizer board
illustrated, [6-16](#)
operation, [5-10](#)
part number, [6-14](#)
removal and replacement
illustrated, [7-16](#), [7-19](#)
procedure, [7-14](#), [7-17](#)
troubleshooting, [4-33](#)
13.5 GHz source 2 synthesizer board
illustrated, [6-16](#)
operation, [5-10](#)
part number, [6-14](#)
removal and replacement
illustrated, [7-16](#), [7-19](#)
procedure, [7-14](#), [7-17](#)
troubleshooting, [4-33](#)
200, option
description of, [2-6](#)
219, option
description of, [2-6](#)
224, option
description of, [2-6](#)
26.5 GHz source 1 board
illustrated, [6-16](#)
part number, [6-14](#)
removal and replacement
illustrated, [7-16](#), [7-19](#)
procedure, [7-14](#), [7-17](#)
troubleshooting, [4-33](#)
26.5 GHz source 2 board
illustrated, [6-16](#)
part number, [6-14](#)
removal and replacement
illustrated, [7-16](#), [7-19](#)
procedure, [7-14](#), [7-17](#)
troubleshooting, [4-33](#)

2-port configuration with 2nd source, combiner, and mechanical switches, Option 224, [2-6](#)
2-port configuration with extended power and bias tees, Option 219, [2-6](#)
2-port standard configuration, Option 200, [2-6](#)
400, option
description of, [2-6](#)
419, option
description of, [2-6](#)
423, option
description of, [2-6](#)
460, option
description of, [2-6](#)
4-port configuration with combiner and mechanical switches, Option 423, [2-6](#)
4-port configuration with extended power and bias tees, Option 419, [2-6](#)
4-port standard configuration, Option 400, [2-6](#)
551, option
description of, [2-7](#)
897, option
built-in tests for commercial calibration, [2-7](#)
898, option
built-in tests for standards compliant calibration, [2-7](#)

A

A receiver
troubleshooting, [4-26](#)
typical power output, [4-35](#)
A trace
troubleshooting, [4-26](#), [4-29](#)
A, B, R1, and R2 traces
troubleshooting, [4-29](#)
A1 front panel display board
operation, [5-32](#)
A1 front panel interface board
illustrated, [6-13](#)
part number, [6-12](#)
removal and replacement
illustrated, [7-11](#)
procedure, [7-10](#)
troubleshooting, [4-12](#), [4-13](#)
A10 frequency reference board
illustrated, [6-16](#)
operation, [5-11](#)
part number, [6-14](#)
removal and replacement
illustrated, [7-16](#), [7-19](#)
procedure, [7-14](#), [7-17](#)
troubleshooting, [4-31](#)
A11 13.5 GHz LO synthesizer board
illustrated, [6-16](#)
operation, [5-10](#)
part number, [6-14](#)

removal and replacement
illustrated, [7-16](#), [7-19](#)
procedure, [7-14](#), [7-17](#)
troubleshooting, [4-31](#)
A12 SPAM board
illustrated, [6-16](#)
operation
analog, [5-24](#)
digital, [5-33](#)
part number, [6-14](#)
removal and replacement
illustrated, [7-16](#), [7-19](#)
procedure, [7-14](#), [7-17](#)
troubleshooting, [4-40](#)
A13 13.5 GHz source 2 synthesizer board
illustrated, [6-16](#)
operation, [5-10](#)
part number, [6-14](#)
removal and replacement
illustrated, [7-16](#), [7-19](#)
procedure, [7-14](#), [7-17](#)
troubleshooting, [4-33](#)
A14 system motherboard
illustrated, [6-16](#)
operation, [5-32](#)
part number, [6-14](#)
removal and replacement
illustrated, [7-21](#)
procedure, [7-20](#)
A15 midplane board
illustrated, [6-16](#)
part number, [6-14](#)
removal and replacement
illustrated, [7-23](#)
procedure, [7-22](#)
A16 power supply assembly
illustrated, [6-16](#)
operation, [5-35](#)
part number, [6-14](#)
removal and replacement
illustrated, [7-25](#)
procedure, [7-24](#)
troubleshooting, [4-7](#)
A17 CPU board
illustrated, [6-16](#)
operation, [5-33](#)
part number, [6-14](#)
removal and replacement
illustrated, [7-27](#)
procedure, [7-26](#)
troubleshooting, [4-17](#)
A18 GPIB board
illustrated, [6-16](#)
part number, [6-14](#)
removal and replacement
illustrated, [7-29](#)
procedure, [7-28](#)
A19 test set motherboard

- illustrated, 6-20, 6-26, 6-32, 6-38, 6-44, 6-50, 6-56, 6-62, 6-68, 6-74, 6-80, 6-88, 6-96, 6-104, 6-112, 6-120, 6-128, 6-136
- operation, 5-12
- part number, 6-19, 6-25, 6-31, 6-37, 6-43, 6-49, 6-55, 6-61, 6-67, 6-73, 6-79, 6-87, 6-95, 6-103, 6-111, 6-119, 6-127, 6-135
- removal and replacement
 - illustrated, 7-31
 - procedure, 7-30
- A2 USB board**
 - illustrated, 6-13
 - part number, 6-12
 - removal and replacement
 - illustrated, 7-11
 - procedure, 7-10
 - troubleshooting, 4-13
- A20 IF multiplexer board**
 - illustrated, 6-20, 6-26, 6-32, 6-38, 6-44, 6-50, 6-56, 6-62, 6-68, 6-74, 6-80, 6-88, 6-96, 6-104, 6-112, 6-120, 6-128, 6-136
 - operation, 5-22
 - part number, 6-19, 6-25, 6-31, 6-37, 6-43, 6-49, 6-55, 6-61, 6-67, 6-73, 6-79, 6-87, 6-95, 6-103, 6-111, 6-119, 6-127, 6-135
 - removal and replacement
 - illustrated, 7-33
 - procedure, 7-32
 - troubleshooting, 4-40
- A21 HMA26.5**
 - illustrated, 6-20, 6-26, 6-32, 6-38, 6-44, 6-50, 6-56, 6-62, 6-68, 6-74, 6-80, 6-88, 6-96, 6-104, 6-112, 6-120, 6-128, 6-136
 - operation, 5-11, 5-17
 - part number, 6-19, 6-25, 6-31, 6-37, 6-43, 6-49, 6-55, 6-61, 6-67, 6-73, 6-79, 6-87, 6-95, 6-103, 6-111, 6-119, 6-127, 6-135
 - removal and replacement
 - illustrated, 7-35
 - procedure, 7-34
 - troubleshooting, 4-32
- A22 splitter**
 - illustrated, 6-32, 6-44, 6-56, 6-74, 6-80, 6-88, 6-96, 6-104, 6-112, 6-120, 6-128, 6-136
 - part number, 6-31, 6-43, 6-55, 6-68, 6-73, 6-79, 6-87, 6-95, 6-103, 6-111, 6-119, 6-127, 6-135
 - removal and replacement
 - illustrated, 7-37
 - procedure, 7-36
 - troubleshooting, 4-32
- A23 mixer brick**
 - illustrated, 6-20, 6-26, 6-32, 6-38, 6-44, 6-50, 6-56, 6-62, 6-68, 6-74, 6-80, 6-88, 6-96, 6-104, 6-112, 6-120, 6-128, 6-136
 - operation, 5-21
 - part number, 6-19, 6-25, 6-31, 6-37, 6-43, 6-49, 6-55, 6-61, 6-67, 6-73, 6-79, 6-87, 6-95, 6-103, 6-111, 6-119, 6-127, 6-135
 - removal and replacement
 - illustrated, 7-39
 - procedure, 7-38
 - troubleshooting, 4-39
- A24 mixer brick**
 - illustrated, 6-74, 6-80, 6-88, 6-96, 6-104, 6-112, 6-120, 6-128, 6-136
 - operation, 5-21
 - part number, 6-73, 6-79, 6-87, 6-95, 6-103, 6-111, 6-119, 6-127, 6-135
 - removal and replacement
 - illustrated, 7-39
 - procedure, 7-38
 - troubleshooting, 4-39
- A25 test port 1 bridge**
 - illustrated, 6-20, 6-26, 6-32, 6-38, 6-44, 6-50, 6-56, 6-62, 6-68, 6-74, 6-80, 6-88, 6-96, 6-104, 6-112, 6-120, 6-128, 6-136
 - part number, 6-19, 6-25, 6-31, 6-37, 6-43, 6-49, 6-55, 6-61, 6-67, 6-73, 6-79, 6-87, 6-95, 6-103, 6-111, 6-119, 6-127, 6-135
 - removal and replacement
 - illustrated, 7-41
 - procedure, 7-40
 - troubleshooting, 4-36
- A26 test port 3 bridge**
 - illustrated, 6-74, 6-80, 6-88, 6-96, 6-104, 6-112, 6-120, 6-128, 6-136
 - part number, 6-73, 6-79, 6-87, 6-95, 6-103, 6-111, 6-119, 6-127, 6-135
 - removal and replacement
 - illustrated, 7-41
 - procedure, 7-40
 - troubleshooting, 4-36
- A27 test port 4 bridge**
 - illustrated, 6-74, 6-80, 6-88, 6-96, 6-104, 6-112, 6-120, 6-128, 6-136
 - part number, 6-73, 6-79, 6-87, 6-95, 6-103, 6-111, 6-119, 6-127, 6-135
 - removal and replacement
 - illustrated, 7-41
 - procedure, 7-40
 - troubleshooting, 4-36
- A28 test port 2 bridge**
 - illustrated, 6-20, 6-26, 6-32, 6-38, 6-44, 6-50, 6-56, 6-62, 6-68, 6-74, 6-80, 6-88, 6-96, 6-104, 6-112, 6-120, 6-128, 6-136
 - part number, 6-19, 6-25, 6-31, 6-37, 6-43, 6-49, 6-55, 6-61, 6-67, 6-73, 6-79, 6-87, 6-95, 6-103, 6-111, 6-119, 6-127, 6-135
 - removal and replacement
 - illustrated, 7-41
 - procedure, 7-40
 - troubleshooting, 4-36
- A29 test port 1 coupler**
 - illustrated, 6-20, 6-26, 6-32, 6-38, 6-44, 6-50, 6-56, 6-62, 6-68, 6-74, 6-80, 6-88, 6-96, 6-104, 6-112, 6-120, 6-128, 6-136
 - part number, 6-19, 6-25, 6-31, 6-37, 6-43, 6-49, 6-55, 6-61, 6-67, 6-73, 6-79, 6-87, 6-95, 6-103, 6-111, 6-119, 6-127, 6-135
 - removal and replacement
 - illustrated, 7-41
 - procedure, 7-40
 - troubleshooting, 4-36
- A30 test port 3 coupler**
 - illustrated, 6-74, 6-80, 6-88, 6-96, 6-104, 6-112, 6-120, 6-128, 6-136
 - operation, 5-17
 - part number, 6-73, 6-79, 6-87, 6-95, 6-103, 6-111, 6-119, 6-127, 6-135
 - removal and replacement
 - illustrated, 7-12, 7-13
 - procedure, 7-12
 - troubleshooting, 4-12, 4-13
- A3 display assembly**
 - illustrated, 6-13
 - operation, 5-32
 - part number, 6-12
 - removal and replacement
 - illustrated, 7-12, 7-13
 - procedure, 7-12
 - troubleshooting, 4-12, 4-13
- A30 test port 3 coupler**
 - illustrated, 6-74, 6-80, 6-88, 6-96, 6-104, 6-112, 6-120, 6-128, 6-136
 - operation, 5-17
 - part number, 6-73, 6-79, 6-87, 6-95, 6-103, 6-111, 6-119, 6-127, 6-135
 - removal and replacement
 - illustrated, 7-12, 7-13
 - procedure, 7-12
 - troubleshooting, 4-12, 4-13
- A31 test port 4 coupler**
 - illustrated, 6-74, 6-80, 6-88, 6-96, 6-104, 6-112, 6-120, 6-128, 6-136
 - operation, 5-17
 - part number, 6-73, 6-79, 6-87, 6-95, 6-103, 6-111, 6-119, 6-127, 6-135
 - removal and replacement
 - illustrated, 7-12, 7-13
 - procedure, 7-12
 - troubleshooting, 4-12, 4-13
- A32 test port 2 coupler**
 - illustrated, 6-20, 6-26, 6-32, 6-38, 6-44, 6-50, 6-56, 6-62, 6-68, 6-74, 6-80, 6-88, 6-96, 6-104, 6-112, 6-120, 6-128, 6-136
 - operation, 5-17

- part number, 6-19, 6-25, 6-31, 6-37, 6-43, 6-49, 6-55, 6-61, 6-67, 6-73, 6-79, 6-87, 6-95, 6-103, 6-111, 6-119, 6-127, 6-135
- removal and replacement procedure, 7-42, 7-43
- troubleshooting, 4-36
- A33 reference mixer switch**
- illustrated, 6-20, 6-26, 6-32, 6-38, 6-44, 6-50, 6-56, 6-62, 6-68, 6-74, 6-80, 6-88, 6-96, 6-104, 6-112, 6-120, 6-128, 6-136
- operation, 5-21
- part number, 6-19, 6-25, 6-31, 6-37, 6-43, 6-49, 6-55, 6-61, 6-67, 6-73, 6-79, 6-87, 6-95, 6-103, 6-111, 6-119, 6-127, 6-135
- removal and replacement illustrated, 7-45 procedure, 7-44
- troubleshooting, 4-39
- A34 test port 1 source step attenuator**
- illustrated, 6-32, 6-38, 6-44, 6-50, 6-56, 6-62, 6-68, 6-79, 6-80, 6-88, 6-96, 6-104, 6-111, 6-112, 6-120, 6-128, 6-136
- part number, 6-25, 6-31, 6-37, 6-43, 6-49, 6-55, 6-61, 6-67, 6-87, 6-95, 6-103, 6-119, 6-127, 6-135
- removal and replacement illustrated, 7-47 procedure, 7-46
- troubleshooting, 4-37
- A35 test port 3 source step attenuator**
- illustrated, 6-79, 6-80, 6-88, 6-96, 6-104, 6-111, 6-112, 6-120, 6-128, 6-136
- part number, 6-87, 6-95, 6-103, 6-119, 6-127, 6-135
- removal and replacement illustrated, 7-47 procedure, 7-46
- troubleshooting, 4-37
- A36 test port 4 source step attenuator**
- illustrated, 6-79, 6-80, 6-88, 6-96, 6-104, 6-111, 6-112, 6-120, 6-128, 6-136
- part number, 6-87, 6-95, 6-103, 6-119, 6-127, 6-135
- removal and replacement illustrated, 7-47 procedure, 7-46
- troubleshooting, 4-37
- A37 test port 2 source step attenuator**
- illustrated, 6-32, 6-38, 6-44, 6-50, 6-56, 6-62, 6-68, 6-79, 6-80, 6-88, 6-96, 6-104, 6-111, 6-112, 6-120, 6-128, 6-136
- part number, 6-25, 6-31, 6-37, 6-43, 6-49, 6-55, 6-61, 6-67, 6-87, 6-95, 6-103, 6-119, 6-127, 6-135
- removal and replacement illustrated, 7-47 procedure, 7-46
- troubleshooting, 4-37
- A38 test port 1 bias tee**
- illustrated, 6-32, 6-44, 6-50, 6-56, 6-79, 6-80, 6-88, 6-111, 6-112, 6-120, 6-136
- part number, 6-25, 6-31, 6-49, 6-55, 6-87, 6-119, 6-135
- removal and replacement illustrated, 7-47, 7-49 procedure, 7-46, 7-48
- troubleshooting, 4-37
- A39 test port 3 bias tee**
- illustrated, 6-79, 6-80, 6-88, 6-111, 6-112, 6-120, 6-136
- part number, 6-87, 6-119, 6-135
- removal and replacement illustrated, 7-47, 7-49 procedure, 7-46, 7-48
- troubleshooting, 4-37
- A4 13.5 GHz source 1 synthesizer board**
- illustrated, 6-16
- operation, 5-10
- part number, 6-14
- removal and replacement illustrated, 7-16, 7-19 procedure, 7-14, 7-17
- troubleshooting, 4-33
- A40 test port 4 bias tee**
- illustrated, 6-79, 6-80, 6-88, 6-111, 6-112, 6-120, 6-136
- part number, 6-87, 6-119, 6-135
- removal and replacement illustrated, 7-47, 7-49 procedure, 7-46, 7-48
- troubleshooting, 4-37
- A41 test port 2 bias tee**
- illustrated, 6-32, 6-44, 6-50, 6-56, 6-79, 6-80, 6-88, 6-111, 6-112, 6-120, 6-136
- part number, 6-25, 6-31, 6-49, 6-55, 6-87, 6-119, 6-135
- removal and replacement illustrated, 7-47, 7-49 procedure, 7-46, 7-48
- troubleshooting, 4-37
- A42 test port 1 receiver step attenuator**
- illustrated, 6-32, 6-38, 6-44, 6-50, 6-56, 6-62, 6-68, 6-79, 6-80, 6-88, 6-96, 6-104, 6-111, 6-112, 6-120, 6-128, 6-136
- operation, 5-21
- part number, 6-25, 6-31, 6-37, 6-43, 6-49, 6-55, 6-61, 6-67, 6-87, 6-95, 6-103, 6-119, 6-127, 6-135
- removal and replacement illustrated, 7-47 procedure, 7-46
- troubleshooting, 4-40
- A43 test port 3 receiver step attenuator**
- illustrated, 6-79, 6-80, 6-88, 6-96, 6-104, 6-111, 6-112, 6-120, 6-128, 6-136
- operation, 5-21
- part number, 6-87, 6-95, 6-103, 6-119, 6-127, 6-135
- removal and replacement illustrated, 7-47 procedure, 7-46
- troubleshooting, 4-40
- A44 test port 4 receiver step attenuator**
- illustrated, 6-79, 6-80, 6-88, 6-96, 6-104, 6-111, 6-112, 6-120, 6-128, 6-136
- operation, 5-21
- part number, 6-87, 6-95, 6-103, 6-119, 6-127, 6-135
- removal and replacement illustrated, 7-47 procedure, 7-46
- troubleshooting, 4-40
- A45 test port 2 receiver step attenuator**
- illustrated, 6-32, 6-38, 6-44, 6-50, 6-56, 6-62, 6-68, 6-79, 6-80, 6-88, 6-96, 6-104, 6-111, 6-112, 6-120, 6-128, 6-136
- operation, 5-21
- part number, 6-25, 6-31, 6-37, 6-43, 6-49, 6-55, 6-61, 6-67, 6-87, 6-95, 6-103, 6-119, 6-127, 6-135
- removal and replacement illustrated, 7-47 procedure, 7-46
- troubleshooting, 4-40
- A46 test port 1 mechanical switch**
- illustrated, 6-50, 6-56, 6-62, 6-68, 6-112, 6-120, 6-128, 6-136
- part number, 6-49, 6-55, 6-61, 6-67, 6-111, 6-119, 6-127, 6-135
- removal and replacement illustrated, 7-51 procedure, 7-50
- troubleshooting, 4-37
- A47 SRC 2 OUT 1 mechanical switch**
- illustrated, 6-50, 6-56, 6-62, 6-68
- part number, 6-49, 6-55, 6-61, 6-67
- A47 test port 3 mechanical switch**
- illustrated, 6-112, 6-120, 6-128, 6-136
- part number, 6-111, 6-119, 6-127, 6-135

- removal and replacement
 - illustrated, 7-51
 - procedure, 7-50
- troubleshooting, 4-37
- A48 test port 4 mechanical switch**
 - illustrated, 6-112, 6-120, 6-128, 6-136
 - part number, 6-111, 6-119, 6-127, 6-135
 - removal and replacement
 - illustrated, 7-51
 - procedure, 7-50
 - troubleshooting, 4-37
- A49 test port 2 mechanical switch**
 - illustrated, 6-50, 6-56, 6-62, 6-68, 6-112, 6-120, 6-128, 6-136
 - part number, 6-49, 6-55, 6-61, 6-67, 6-111, 6-119, 6-127, 6-135
 - removal and replacement
 - illustrated, 7-51
 - procedure, 7-50
 - troubleshooting, 4-37
- A5 26.5 GHz source 1 board**
 - illustrated, 6-16
 - operation, 5-10
 - part number, 6-14
 - removal and replacement, 7-14, 7-17
 - illustrated, 7-16, 7-19
 - troubleshooting, 4-33
- A50 combiner**
 - illustrated, 6-50, 6-56, 6-62, 6-68, 6-112, 6-120, 6-128, 6-136
 - part number, 6-49, 6-55, 6-61, 6-67, 6-111, 6-119, 6-127, 6-135
 - removal and replacement
 - illustrated, 7-51
 - procedure, 7-50
- A51 hard disk drive**
 - illustrated, 6-16
 - operation, 5-34
 - part number, 6-14
 - removal and replacement
 - illustrated, 7-53, 7-55
 - procedure, 7-52
- A52 test port 1 Option 029 switch**
 - illustrated, 6-32, 6-44, 6-56, 6-68, 6-88, 6-104, 6-120, 6-136
 - operation, 5-27
 - part number, 6-31, 6-43, 6-55, 6-67, 6-87, 6-103, 6-119, 6-135
 - removal and replacement
 - illustrated, 7-59
 - procedure, 7-58
- A53 test port 2 Option 029 switch**
 - illustrated, 6-32, 6-44, 6-56, 6-68, 6-88, 6-104, 6-120, 6-136
 - operation, 5-27
 - part number, 6-31, 6-43, 6-55, 6-67, 6-87, 6-103, 6-119, 6-135
 - removal and replacement
 - illustrated, 7-59
 - procedure, 7-58
- A54 test port 2 Option 029 bridge**
 - illustrated, 6-32, 6-44, 6-56, 6-68, 6-88, 6-104, 6-120, 6-136
 - operation, 5-27
 - part number, 6-31, 6-43, 6-55, 6-67, 6-87, 6-103, 6-119, 6-135
 - removal and replacement
 - illustrated, 7-61
 - procedure, 7-60
- A55 noise downconverter**
 - illustrated, 6-32, 6-44, 6-56, 6-68, 6-88, 6-104, 6-120, 6-136
 - operation, 5-27
 - part number, 6-31, 6-43, 6-55, 6-67, 6-87, 6-103, 6-119, 6-135
 - removal and replacement
 - illustrated, 7-61
 - procedure, 7-60
- A7 noise receiver board**
 - illustrated, 6-16
 - operation, 5-28
 - part number, 6-14
- A8 26.5 GHz source 2 board**
 - illustrated, 6-16
 - operation, 5-10
 - part number, 6-14
 - removal and replacement, 7-14, 7-17
 - illustrated, 7-16, 7-19
 - troubleshooting, 4-33
- accessories**
 - analyzer, 2-9
 - CD-RW drive, 2-9
 - in operator's check, 3-11
 - in test port cable checks, 3-13
 - pulse I/O adapter, 2-9
 - USB
 - part numbers, 6-155
 - USB hub, 2-9
- accuracy**
 - dynamic accuracy test, 3-35
 - frequency test, 3-31
- adapters**
 - required for servicing, 2-12
- adding**
 - options, 8-14
- adjustments**
 - EE default, 3-43
 - frequency
 - at 10 MHz, 3-37
 - IF gain, 3-38
 - noise figure, 3-44
 - receiver calibration, 3-40
 - receiver characterization, 3-43
 - source calibration, 3-39
 - synthesizer bandwidth, 3-38
- system, 3-1, 3-36
 - getting ready, 3-4
- administrator password**
 - Agilent, 7-56
- agile update**
 - downloading firmware from the internet, 8-17
- Agilent**
 - administrator password, 7-56
 - contacting, 2-14
 - support, 2-14
- all traces**
 - troubleshooting, 4-29
- analyzer**
 - accessories, 2-9
 - block diagram
 - digital control group, 5-31
 - digital processor group, 5-31
 - noise measurement group, 5-29
 - receiver group, 5-25, 5-26
 - signal separation group, 5-18, 5-19
 - covers
 - illustrated, 6-154
 - part numbers, 6-153
 - removal and replacement, 7-6
 - external replaceable parts
 - illustrated, 6-154
 - part numbers, 6-153
 - feet
 - illustrated, 6-154
 - part numbers, 6-153
 - frequency range and max output power, 5-5
 - frequency reference board assembly, 5-11
 - front panel interconnects, 5-32
 - functional groups, 5-4
 - digital control, 5-6
 - digital processing, 5-6
 - noise measurement group, 5-6
 - power supply, 5-6
 - receiver group, 5-6
 - signal separation, 5-6
 - synthesized source, 5-5
 - internal performance test software, 3-29
 - internal replaceable parts
 - illustrated, 6-152
 - part numbers, 6-151
 - miscellaneous replaceable parts
 - part numbers, 6-155
 - mounting in equipment rack, 2-5
 - operation
 - 13.5 GHz synthesizer boards, 5-10
 - configurable test set, 5-16
 - CPU board, 5-33
 - data acquisition subgroup, 5-32
 - digital control group, 5-30

- digital processor group, 5-30
 - display assembly, 5-32
 - front panel display board, 5-32
 - front panel subgroup, 5-32
 - hard disk drive, 5-34
 - IF multiplexer board, 5-22
 - keypad assembly, 5-32
 - MA 26.5, 5-11, 5-17
 - main RAM, 5-33
 - mixer brick, 5-21
 - noise measurement group, 5-27
 - processing subgroup, 5-32
 - receiver group, 5-21
 - receiver step attenuators, 5-21
 - reference mixer switch, 5-21
 - signal separation group, 5-16
 - source boards, 5-10
 - source group, 5-7
 - SPAM board—analogue, 5-24
 - SPAM board—digital, 5-33
 - test port couplers, 5-17
 - test set motherboard, 5-12
 - options, 2-3
 - rear panel
 - interconnects, 5-11, 5-12, 5-22, 5-34
 - rear panel replaceable parts
 - illustrated, 6-144
 - part numbers, 6-143
 - strap handle
 - illustrated, 6-154
 - part number, 6-153
 - system block diagram, 5-3, 5-4
 - system operation
 - theory of, 5-3
 - upgrades, 2-8
 - warmup time, 3-4
 - ANSI/NCSL Z540-1-1994**
 - verification, 3-9
 - ANSI/NCSL Z540-1-1994**
 - non-type verification, 3-10
 - assemblies**
 - rebuilt-exchange
 - procedure, 6-5
 - rebuilt-exchange program, 6-5
 - replacement
 - list of procedures, 7-4
 - sequence, 6-4
 - attenuators**
 - required for servicing, 2-12
- B**
- B receiver**
 - troubleshooting, 4-26
 - typical power output, 4-35
 - B trace**
 - troubleshooting, 4-26
 - B1 fan**
 - removal and replacement
 - illustrated, 7-67
 - procedure, 7-66
 - bandwidth, synthesizer**
 - adjustment, 3-38
 - battery**
 - illustrated, 6-16
 - part number, 6-14, 6-156
 - removal and replacement
 - illustrated, 7-69, 7-71
 - procedure, 7-68
 - battery disposal, 1-8**
 - before applying power, 1-3**
 - bias tee**
 - removal and replacement
 - illustrated, 7-47, 7-49
 - procedure, 7-46, 7-48
 - troubleshooting, 4-37
 - block diagram**
 - digital control group, 5-31
 - digital processor group, 5-31
 - noise measurement group, 5-29
 - receiver group, 5-25, 5-26
 - signal separation group, passive, 5-18, 5-19
 - bottom assembly hardware, all options**
 - illustrated, 6-148
 - part numbers, 6-147
 - bottom assembly hardware, Option 029**
 - illustrated, 6-150
 - part numbers, 6-149
 - bottom assembly, Option 219**
 - replaceable assemblies
 - part numbers, 6-25
 - bottom assembly, Option 200**
 - replaceable assemblies
 - illustrated, 6-20
 - part numbers, 6-19
 - replaceable RF cables
 - illustrated, 6-22
 - part numbers, 6-21
 - replaceable ribbon cables
 - illustrated, 6-24
 - part numbers, 6-23
 - replaceable ribbon wire harnesses
 - illustrated, 6-24
 - part numbers, 6-23
 - bottom assembly, Option 219**
 - replaceable assemblies
 - illustrated, 6-26
 - replaceable RF cables
 - illustrated, 6-28
 - part numbers, 6-27
 - replaceable ribbon cables
 - illustrated, 6-30
 - part numbers, 6-29
 - replaceable ribbon wire harnesses
 - illustrated, 6-30
 - part numbers, 6-29
 - bottom assembly, Option 219/029**
 - replaceable assemblies
 - part numbers, 6-31, 6-32
 - replaceable RF cables
 - illustrated, 6-34
 - part numbers, 6-33
 - replaceable ribbon cables
 - illustrated, 6-36
 - part numbers, 6-35
 - replaceable ribbon wire harnesses
 - illustrated, 6-36
 - part numbers, 6-35
 - bottom assembly, Option 219/029/H85**
 - replaceable assemblies
 - part numbers, 6-43, 6-44
 - replaceable RF cables
 - illustrated, 6-46
 - part numbers, 6-45
 - replaceable ribbon cables
 - illustrated, 6-48
 - part numbers, 6-47
 - replaceable ribbon wire harnesses
 - illustrated, 6-48
 - part numbers, 6-47
 - bottom assembly, Option 219/H85**
 - replaceable assemblies
 - part numbers, 6-37, 6-38
 - replaceable RF cables
 - illustrated, 6-40
 - part numbers, 6-39
 - replaceable ribbon cables
 - illustrated, 6-42
 - part numbers, 6-41
 - replaceable ribbon wire harnesses
 - illustrated, 6-42
 - part numbers, 6-41
 - bottom assembly, Option 224**
 - replaceable assemblies
 - part numbers, 6-49, 6-50
 - replaceable RF cables
 - illustrated, 6-52
 - part numbers, 6-51
 - replaceable ribbon cables
 - illustrated, 6-54
 - part numbers, 6-53
 - replaceable ribbon wire harnesses
 - illustrated, 6-54
 - part numbers, 6-53
 - bottom assembly, Option 224/029**
 - replaceable assemblies
 - part numbers, 6-55, 6-56
 - replaceable RF cables
 - illustrated, 6-58
 - part numbers, 6-57
 - replaceable ribbon cables
 - illustrated, 6-60
 - part numbers, 6-59

- replaceable ribbon wire harnesses
 - illustrated, 6-60
 - part numbers, 6-59
- bottom assembly, Option 224/029/H85**
 - replaceable assemblies
 - part numbers, 6-67, 6-68
 - replaceable RF cables
 - illustrated, 6-70
 - part numbers, 6-69
 - replaceable ribbon cables
 - illustrated, 6-72
 - part numbers, 6-71
 - replaceable ribbon wire harnesses
 - illustrated, 6-72
 - part numbers, 6-71
- bottom assembly, Option 224/H85**
 - replaceable assemblies
 - part numbers, 6-61, 6-62
 - replaceable RF cables
 - illustrated, 6-64
 - part numbers, 6-63
 - replaceable ribbon cables
 - illustrated, 6-66
 - part numbers, 6-65
 - replaceable ribbon wire harnesses
 - illustrated, 6-66
 - part numbers, 6-65
- bottom assembly, Option 400**
 - replaceable assemblies
 - illustrated, 6-74
 - part numbers, 6-73
 - replaceable RF cables
 - illustrated, 6-76
 - part numbers, 6-75
 - replaceable ribbon cables
 - illustrated, 6-78
 - part numbers, 6-77
 - replaceable ribbon wire harnesses
 - illustrated, 6-78
 - part numbers, 6-77
- bottom assembly, Option 419**
 - replaceable assemblies
 - illustrated, 6-80
 - part numbers, 6-79
 - replaceable RF cables
 - illustrated, 6-82, 6-84
 - part numbers, 6-81, 6-83
 - replaceable ribbon cables
 - illustrated, 6-86
 - part numbers, 6-85
 - replaceable ribbon wire harnesses
 - illustrated, 6-86
 - part numbers, 6-85
- bottom assembly, Option 419/029**
 - replaceable assemblies
 - illustrated, 6-88
 - part numbers, 6-87
 - replaceable RF cables
 - illustrated, 6-90, 6-92
 - part numbers, 6-89, 6-91
 - replaceable ribbon cables
 - illustrated, 6-94
 - part numbers, 6-93
 - replaceable ribbon wire harnesses
 - illustrated, 6-94
 - part numbers, 6-93
- bottom assembly, Option 419/029/H85**
 - replaceable assemblies
 - illustrated, 6-104
 - part numbers, 6-103
 - replaceable RF cables
 - illustrated, 6-106, 6-108
 - part numbers, 6-105, 6-107
 - replaceable ribbon cables
 - illustrated, 6-110
 - part numbers, 6-109
 - replaceable ribbon wire harnesses
 - illustrated, 6-110
 - part numbers, 6-109
- bottom assembly, Option 419/H85**
 - replaceable assemblies
 - illustrated, 6-96
 - part numbers, 6-95
 - replaceable RF cables
 - illustrated, 6-97, 6-98, 6-100
 - part numbers, 6-97, 6-99
 - replaceable ribbon cables
 - illustrated, 6-102
 - part numbers, 6-101
 - replaceable ribbon wire harnesses
 - illustrated, 6-102
 - part numbers, 6-101
- bottom assembly, Option 423**
 - replaceable assemblies
 - illustrated, 6-112
 - part numbers, 6-111
 - replaceable RF cables
 - illustrated, 6-114, 6-116
 - part numbers, 6-113, 6-115
 - replaceable ribbon cables
 - illustrated, 6-118
 - part numbers, 6-117
 - replaceable ribbon wire harnesses
 - illustrated, 6-118
 - part numbers, 6-117
- bottom assembly, Option 423/029**
 - replaceable assemblies
 - illustrated, 6-120
 - part numbers, 6-119
 - replaceable RF cables
 - illustrated, 6-122, 6-124
 - part numbers, 6-121, 6-123
 - replaceable ribbon cables
 - illustrated, 6-126
 - part numbers, 6-125
 - replaceable ribbon wire harnesses
 - illustrated, 6-126
 - part numbers, 6-125
- bottom assembly, Option 423/H85**
 - replaceable assemblies
 - illustrated, 6-136
 - part numbers, 6-135
 - replaceable RF cables
 - illustrated, 6-138, 6-140
 - part numbers, 6-137, 6-139
 - replaceable ribbon cables
 - illustrated, 6-142
 - part numbers, 6-141
 - replaceable ribbon wire harnesses
 - illustrated, 6-142
 - part numbers, 6-141
- bottom assembly, Option 423/H85**
 - replaceable assemblies
 - illustrated, 6-128
 - part numbers, 6-127
 - replaceable RF cables
 - illustrated, 6-130, 6-132
 - part numbers, 6-129, 6-131
 - replaceable ribbon cables
 - illustrated, 6-134
 - part numbers, 6-133
 - replaceable ribbon wire harnesses
 - illustrated, 6-134
 - part numbers, 6-133
- bridge**
 - removal and replacement
 - illustrated, 7-41
 - procedure, 7-40
 - test port 1
 - illustrated, 6-20, 6-26, 6-32, 6-38, 6-44, 6-50, 6-56, 6-62, 6-68, 6-74, 6-80, 6-88, 6-96, 6-104, 6-112, 6-120, 6-128, 6-136
 - part number, 6-19, 6-25, 6-31, 6-37, 6-43, 6-49, 6-55, 6-61, 6-67, 6-73, 6-79, 6-87, 6-95, 6-103, 6-111, 6-119, 6-127, 6-135
 - test port 2
 - illustrated, 6-20, 6-26, 6-32, 6-38, 6-44, 6-50, 6-56, 6-62, 6-68, 6-74, 6-80, 6-88, 6-96, 6-104, 6-112, 6-120, 6-128, 6-136
 - part number, 6-19, 6-25, 6-31, 6-37, 6-43, 6-49, 6-55, 6-61, 6-67, 6-73, 6-79, 6-87, 6-95, 6-103, 6-111, 6-119, 6-127, 6-135
 - test port 3
 - illustrated, 6-74, 6-80, 6-88, 6-96, 6-104, 6-112, 6-120, 6-128, 6-136
 - part number, 6-73, 6-79, 6-87, 6-95, 6-103, 6-111, 6-119, 6-127, 6-135
 - test port 4
 - illustrated, 6-126
 - part numbers, 6-125

- illustrated, 6-74, 6-80, 6-88, 6-96, 6-104, 6-112, 6-120, 6-128, 6-136
 - part number, 6-73, 6-79, 6-87, 6-95, 6-103, 6-111, 6-119, 6-127, 6-135
 - troubleshooting, 4-36
 - broadband failure**, 4-30
 - built-in tests**
 - for commercial calibration, Option 897, 2-7
 - for standards compliant calibration, Option 898, 2-7
 - bypass switch, source**
 - troubleshooting, 4-37
- ## C
- C receiver**
 - troubleshooting, 4-26
 - typical power output, 4-35
 - C trace**
 - troubleshooting, 4-26
 - C, D, R3, and R4 traces**
 - troubleshooting, 4-29
 - cable**
 - substitution, 3-24
 - test port
 - checks, 3-11, 3-13, 3-14, 3-15, 3-16, 3-18
 - connector repeatability failure, 3-19
 - insertion loss failure, 3-15
 - magnitude and phase stability failure, 3-17
 - return loss failure, 3-14
 - cables**
 - GPIB
 - part numbers, 6-155
 - required for servicing, 2-12
 - flexible**
 - in top assembly, all options illustrated, 6-18
 - part numbers, 6-17
 - RF**
 - in bottom assembly, Option 200 illustrated, 6-22
 - part numbers, 6-21
 - in bottom assembly, Option 219 illustrated, 6-28
 - part numbers, 6-27
 - in bottom assembly, Option 219/029 illustrated, 6-34
 - part numbers, 6-33
 - in bottom assembly, Option 219/029/H85 illustrated, 6-46
 - part numbers, 6-45
 - in bottom assembly, Option 219/H85 illustrated, 6-40
 - part numbers, 6-39
 - in bottom assembly, Option 224 illustrated, 6-52
 - part numbers, 6-51
 - in bottom assembly, Option 224/029 illustrated, 6-58
 - part numbers, 6-57
 - in bottom assembly, Option 224/029/H85 illustrated, 6-70
 - part numbers, 6-69
 - in bottom assembly, Option 224/H85 illustrated, 6-64
 - part numbers, 6-63
 - in bottom assembly, Option 400 illustrated, 6-76
 - part numbers, 6-75
 - in bottom assembly, Option 419 illustrated, 6-82, 6-84
 - part numbers, 6-81, 6-83
 - in bottom assembly, Option 419/029 illustrated, 6-90, 6-92
 - part numbers, 6-89, 6-91
 - in bottom assembly, Option 419/029/H85 illustrated, 6-106, 6-108
 - part numbers, 6-105, 6-107
 - in bottom assembly, Option 419/H85 illustrated, 6-97, 6-98, 6-100
 - part numbers, 6-97, 6-99
 - in bottom assembly, Option 423 illustrated, 6-114, 6-116
 - part numbers, 6-113, 6-115
 - in bottom assembly, Option 423/029 illustrated, 6-122, 6-124
 - part numbers, 6-121, 6-123
 - in bottom assembly, Option 423/029/H85 illustrated, 6-138, 6-140
 - part numbers, 6-137, 6-139
 - in bottom assembly, Option 423/H85 illustrated, 6-130, 6-132
 - part numbers, 6-129, 6-131
 - ribbon**
 - in bottom assembly, Option 200 illustrated, 6-24
 - part numbers, 6-23
 - in bottom assembly, Option 219 illustrated, 6-30
 - part numbers, 6-29
 - in bottom assembly, Option 219/029 illustrated, 6-36
 - part numbers, 6-35
 - in bottom assembly, Option 219/029/H85 illustrated, 6-48
 - part numbers, 6-47
 - in bottom assembly, Option 219/H85 illustrated, 6-42
 - part numbers, 6-41
 - in bottom assembly, Option 224 illustrated, 6-54
 - part numbers, 6-53
 - in bottom assembly, Option 224/029 illustrated, 6-60
 - part numbers, 6-59
 - in bottom assembly, Option 224/029/H85 illustrated, 6-72
 - part numbers, 6-71
 - in bottom assembly, Option 224/H85 illustrated, 6-66
 - part numbers, 6-65
 - in bottom assembly, Option 400 illustrated, 6-78
 - part numbers, 6-77
 - in bottom assembly, Option 419 illustrated, 6-86
 - part numbers, 6-85
 - in bottom assembly, Option 419/029 illustrated, 6-94
 - part numbers, 6-93
 - in bottom assembly, Option 419/029/H85 illustrated, 6-110
 - part numbers, 6-109
 - in bottom assembly, Option 419/H85 illustrated, 6-102
 - part numbers, 6-101
 - in bottom assembly, Option 423 illustrated, 6-118
 - part numbers, 6-117
 - in bottom assembly, Option 423/029 illustrated, 6-126
 - part numbers, 6-125
 - in bottom assembly, Option 423/029/H85 illustrated, 6-142
 - part numbers, 6-141
 - in bottom assembly, Option 423/H85 illustrated, 6-134
 - part numbers, 6-133
 - in top assembly, all options illustrated, 6-18
 - part numbers, 6-17
 - semi-rigid**
 - in top assembly, all options illustrated, 6-18
 - part numbers, 6-17
 - wire harnesses**
 - in bottom assembly, Option 200 illustrated, 6-24
 - part numbers, 6-23
 - in bottom assembly, Option 219

- illustrated, 6-30
- part numbers, 6-29
- in bottom assembly, Option 219/029
- illustrated, 6-36
- part numbers, 6-35
- in bottom assembly,
 - Option 219/029/H85
 - illustrated, 6-48
 - part numbers, 6-47
- in bottom assembly, Option 219/H85
- illustrated, 6-42
- part numbers, 6-41
- in bottom assembly, Option 224
- illustrated, 6-54
- part numbers, 6-53
- in bottom assembly, Option 224/029
- illustrated, 6-60
- part numbers, 6-59
- in bottom assembly,
 - Option 224/029/H85
 - illustrated, 6-72
 - part numbers, 6-71
- in bottom assembly, Option 224/H85
- illustrated, 6-66
- part numbers, 6-65
- in bottom assembly, Option 400
- illustrated, 6-78
- part numbers, 6-77
- in bottom assembly, Option 419
- illustrated, 6-86
- part numbers, 6-85
- in bottom assembly, Option 419/029
- illustrated, 6-94
- part numbers, 6-93
- in bottom assembly,
 - Option 419/029/H85
 - illustrated, 6-110
 - part numbers, 6-109
- in bottom assembly, Option 419/H85
- illustrated, 6-102
- part numbers, 6-101
- in bottom assembly, Option 423
- illustrated, 6-118
- part numbers, 6-117
- in bottom assembly, Option 423/029
- illustrated, 6-126
- part numbers, 6-125
- in bottom assembly,
 - Option 423/029/H85
 - part numbers, 6-141
- in bottom assembly,
 - Option 423/029/H85 illustrated, 6-142
- in bottom assembly, Option 423/H85
- illustrated, 6-134
- part numbers, 6-133
- in top assembly, all options
- illustrated, 6-18
- part numbers, 6-17
- calibrated measurements, N-port, Option 551, 2-7**
- calibration**
 - certificate of, 3-8
 - coefficients test, 3-34
 - commercial, built-in tests, Option 897, 2-7
 - kits, 2-12, 3-6
 - substitution, 3-24
 - measurement, 8-3
 - receiver, 3-40
 - source, 3-39
 - standards compliant, built-in tests, Option 898, 2-7
- care of connectors, 3-5**
- caution, 1-3**
- CD-RW drive, 2-9**
- certificate of calibration, 3-8**
- changing**
 - a serial number, 8-16
- channel, See receiver**
- characterization, receiver**
 - adjustment, 3-43
- checks**
 - cable
 - connector repeatability, failure of, 3-19
 - insertion loss, failure of, 3-15
 - magnitude and phase stability, failure of, 3-17
 - return loss, failure of, 3-14
 - test port cables, 3-11, 3-13
 - operator's, 3-11
 - accessories used in, 3-11
 - description of, 3-11
 - dialog box, 3-12
 - failure of, 3-12
 - performing, 3-11
 - preliminary, 3-11
 - system, 3-1
 - getting ready, 3-4
 - test port cable
 - accessories used in, 3-13
 - connector repeatability, 3-18
 - insertion loss, 3-15
 - magnitude and phase stability, 3-16
 - performing, 3-13
 - return loss, 3-14
- COM, 8-9**
- combiner**
 - illustrated, 6-50, 6-56, 6-62, 6-68, 6-112, 6-120, 6-128, 6-136
 - part number, 6-49, 6-55, 6-61, 6-67, 6-119, 6-127, 6-135
 - removal and replacement
 - illustrated, 7-51
 - procedure, 7-50
- commercial calibration**
 - built-in tests, Option 897, 2-7
- compression test, receiver, 3-32**
- configurable test set**
 - operation, 5-16
- configuration**
 - 2-port with extended power range and bias tees, Option 219, 2-6
 - 2-port with second source, combiner, and mechanical switches, Option 224, 2-6
 - 4-port with combiner and mechanical switches, Option 423, 2-6
 - 4-port with extended power range and bias tees, Option 419, 2-6
 - configurable test set, 5-17
 - high dynamic range
 - measurement, 5-17
 - normal configuration
 - measurement, 5-17
 - standard 2-port, Option 200, 2-6
 - standard 4-port, Option 400, 2-6
- connector**
 - care
 - principles of, 3-5
 - quick reference, 3-5
 - repeatability check
 - failure of, 3-19
 - of test port cables, 3-18
- connector repeatability**
 - check
 - test port cables, 3-18
- connectors**
 - care of, 3-5
 - front panel, 5-32
 - rear panel, 5-11, 5-12, 5-22, 5-34
 - Display, 5-34
 - EXT 10 MHz REF IN, 5-11
 - EXT 10 MHz REF OUT, 5-11
 - GPIB, 5-34
 - HANDLER I/O, 5-12, 5-14
 - PULSE I/O, 5-23
 - PWR I/O, 5-15
 - TEST SET I/O, 5-12, 5-13
 - USB, 5-34
 - VGA, 5-34
- constants**
 - correction, 8-19
- contacting Agilent, 2-14**
- controllers**
 - troubleshooting with, 4-18
- correction constants, 8-19**
- coupler**
 - test port 1
 - illustrated, 6-20, 6-26, 6-32, 6-38, 6-44, 6-50, 6-56, 6-62, 6-68, 6-74, 6-80, 6-88, 6-96, 6-104, 6-112, 6-120, 6-128, 6-136

part number, 6-19, 6-25, 6-31, 6-37, 6-43, 6-49, 6-55, 6-61, 6-67, 6-73, 6-79, 6-87, 6-95, 6-103, 6-111, 6-119, 6-127, 6-135

test port 2
illustrated, 6-20, 6-26, 6-32, 6-38, 6-44, 6-50, 6-56, 6-62, 6-68, 6-74, 6-80, 6-88, 6-96, 6-104, 6-112, 6-120, 6-128, 6-136

part number, 6-19, 6-25, 6-31, 6-37, 6-43, 6-49, 6-55, 6-61, 6-67, 6-73, 6-79, 6-87, 6-95, 6-103, 6-111, 6-119, 6-127, 6-135

test port 3
illustrated, 6-74, 6-80, 6-88, 6-96, 6-104, 6-112, 6-120, 6-128, 6-136

part number, 6-73, 6-79, 6-87, 6-95, 6-103, 6-111, 6-119, 6-127, 6-135

test port 4
illustrated, 6-74, 6-80, 6-88, 6-96, 6-104, 6-112, 6-120, 6-128, 6-136

part number, 6-73, 6-79, 6-87, 6-95, 6-103, 6-111, 6-119, 6-127, 6-135

cover, removing, 1-4

covers, analyzer
illustrated, 6-154
part numbers, 6-153
removal and replacement
illustrated, 7-7
procedure, 7-6

CPU board
illustrated, 6-16
operation, 5-33
part number, 6-14
removal and replacement
illustrated, 7-27
procedure, 7-26
troubleshooting, 4-17

cross-over cable, LAN, 4-21

D

D receiver
troubleshooting, 4-26
typical power output, 4-35

D trace
troubleshooting, 4-26

dangerous voltage, 1-4

data acquisition
operation, 5-32

data acquisition and processing
subgroup, 5-30

data storage
hard disk, 5-34

IDE, 5-34

data, option
recovering, 8-15
repairing, 8-15

DCOM, 8-9

default, EE
adjustment, 3-43

description
functional
digital control group, 5-6
digital processing group, 5-6
noise measurement group, 5-6
power supply group, 5-6
receiver group, 5-6
signal separation group, 5-6
synthesized source group, 5-5

digital control group
block diagram, 5-31
functional description of, 5-6
operation, 5-30

digital processing and control
functional group, 5-4

digital processing group
block diagram, 5-31
functional description of, 5-6
operation, 5-30

directivity
cause of failure, 8-11
definition of, 8-11
measurements affected by, 8-11

disabling
options, 8-14

display assembly
illustrated, 6-13
operation, 5-32
parts list, 6-12
removal and replacement
illustrated, 7-12, 7-13
procedure, 7-12
troubleshooting, 4-12, 4-13

display cable
removal and replacement
illustrated, 7-12, 7-13
procedure, 7-12

Display port
rear panel connector, 5-34

display test
running, 4-15

documentation
optional, 1-iii
part numbers, 6-155
standard, 1-iii

dress panel
lower front panel
illustrated, 6-11
part number, 6-10

dynamic range, high
measurement configuration, 5-17

E

earth ground, 1-3

EE default
adjustment, 3-43

electrostatic discharge, *See ESD*

enabling
options, 8-14

entitlement certificate, option, 8-13

environment, operating
specifications, 3-4
verification, 3-4

equipment rack
horizontal spacing, 2-5
mounting analyzer in, 2-5

equipment, service test
required, 2-11

error terms, 8-3
access to, 8-8
via COM/DCOM commands, 8-9
via front panel, 8-8
via SCPI commands (using GPIB), 8-9

cause of failure to, 8-3

descriptions, 8-10

directivity, 8-11

flowgraph of one port, 8-4

flowgraph of two ports, 8-5, 8-6, 8-7

identifying using flowgraphs, 8-4

isolation, 8-12

load match, 8-11

magnitude
affected by, 8-3
monitoring over time, 8-3
shape affected by, 8-3
source match, 8-11
typical data, 8-10
using as diagnostic tool, 8-3
using to aid troubleshooting, 8-3
worse than typical values, 8-10

ESD
protection, 1-6, 3-4, 4-3, 7-3, 8-4
supplies
part numbers, 6-155

exchange
module
procedure, 6-5
rebuilt assemblies
program, 6-5

EXT 10 MHz REF IN connector
rear panel, 5-11

EXT 10 MHz REF OUT connector
rear panel, 5-11

external analyzer
replaceable parts
illustrated, 6-154
part numbers, 6-153

external monitor, 4-12

F

failure

- broadband, 4-30
- of connector repeatability check, 3-19
- of insertion loss check, 3-15
- of magnitude and phase stability check, 3-17
- of operator's check, 3-12
- of return loss check, 3-14
- of system verification, 3-26
 - flowchart, 3-26
- single vs. broadband, 4-30

fan

- removal and replacement
 - illustrated, 7-67
 - procedure, 7-66
- troubleshooting, 4-11

fan bracket

- removal and replacement
 - illustrated, 7-67
 - procedure, 7-66

feet

- analyzer
 - illustrated, 6-154
 - part numbers, 6-153

firmware

- checking current version, 8-17
- upgrades, 8-17

firmware upgrade

- downloading from the internet, 8-17

flowgraph

- of one port error terms, 8-4
- of two port error terms, 8-5, 8-6, 8-7
- using to identify error terms, 8-4

Fourier transform, 2-4

frequency accuracy

- test, 3-31

frequency adjustment

- at 10 MHz, 3-37

frequency converter measurements

- Option 083, 2-5

frequency offset mode

- Option 080, 2-5

frequency range

- and max output power, 5-5

frequency reference board

- illustrated, 6-16
- operation, 5-11
- part number, 6-14
- removal and replacement
 - illustrated, 7-16, 7-19
 - procedure, 7-14, 7-17
- troubleshooting, 4-31

front frame

- illustrated, 6-11
- part number, 6-10

front panel

- assembly, removal and replacement

- illustrated, 7-9
- procedure, 7-8
- display assembly
 - illustrated, 6-13
 - parts list, 6-12
- front frame
 - illustrated, 6-11
 - part number, 6-10
- interconnects, 5-32
- interface board
 - illustrated, 6-13
 - part number, 6-12
- inverter board
 - illustrated, 6-13
 - part number, 6-12
- keypad assembly
 - illustrated, 6-13
 - parts list, 6-12
- knob
 - illustrated, 6-11
 - part number, 6-10
 - test, 4-15
 - troubleshooting, 4-13
- LCD assembly
 - illustrated, 6-13
 - parts list, 6-12
- LED board
 - illustrated, 6-32, 6-38, 6-44, 6-50, 6-56, 6-62, 6-68, 6-148, 6-150
 - part number, 6-19, 6-25, 6-31, 6-37, 6-43, 6-49, 6-55, 6-61, 6-67, 6-73, 6-79, 6-87, 6-95, 6-103, 6-111, 6-119, 6-127, 6-135, 6-147, 6-149
- LED board, removal and replacement
 - illustrated, 7-65
 - procedure, 7-64
- lower dress panel
 - illustrated, 6-11
 - part number, 6-10
- lower overlay
 - illustrated, 6-11
 - part number, 6-10
- nameplate
 - illustrated, 6-11
 - part number, 6-10
- operation, 5-32
- power switch board
 - illustrated, 6-13
 - parts list, 6-12
- power switch overlay
 - illustrated, 6-11
 - part number, 6-10
- subassemblies, removal and replacement
 - illustrated, 7-11
 - procedures, 7-10

- subgroup, 5-30
- touch screen
 - illustrated, 6-13
 - parts list, 6-12
- trim strip, filler
 - illustrated, 6-11
 - part number, 6-10
- troubleshooting, 4-13
- USB board
 - illustrated, 6-13
 - part number, 6-12
- USB controller board
 - illustrated, 6-13
 - part number, 6-12
- front panel assembly**
 - replaceable parts
 - illustrated, 6-11, 6-13
 - part numbers, 6-10, 6-12
- front panel display board**
 - operation, 5-32
- front panel interface board**
 - removal and replacement
 - illustrated, 7-11
 - procedure, 7-10
 - troubleshooting, 4-12, 4-13
- front panel keypad assembly**
 - removal and replacement
 - illustrated, 7-11
 - troubleshooting, 4-13
- front panel LED board**
 - illustrated, 6-20, 6-26, 6-74, 6-80, 6-88, 6-96, 6-104, 6-112, 6-120, 6-128, 6-136
- functional groups, 5-4**
- fuses, 6-155**

G

gain, IF

- adjustment, 3-38

general safety considerations, 1-3

government

- regulatory information, 1-7

GPIB, 8-9

- cables
 - part numbers, 6-155
- port
 - rear panel connector, 5-34

GPIB board

- illustrated, 6-16
- part number, 6-14
- removal and replacement
 - illustrated, 7-29
 - procedure, 7-28

GPIB CONTROLLER

- port
 - running test software, 4-17
 - troubleshooting, 4-17
- systems check, 4-17

ground, safety earth, 1-3

groups

functional, 5-4

H

H85, high power configuration capability,
2-3

handle

damaged, 1-3

HANDLER I/O

connector

pin assignments, 5-14

rear panel, 5-12

handles

with rack mount, 2-5

hard disk drive

copying files from, 7-52

data storage, 5-34

illustrated, 6-16

installing backup files onto, 7-57

operation, 5-34

part number, 6-14

removal and replacement

illustrated, 7-53, 7-55

procedure, 7-52

unique files located on, 7-52

hardware

in bottom assembly

illustrated, 6-148

part numbers, 6-147

in external analyzer

illustrated, 6-154

part numbers, 6-153

in internal analyzer

illustrated, 6-152

part numbers, 6-151

in rear panel assembly

illustrated, 6-144

part numbers, 6-143

in top assembly

illustrated, 6-145, 6-146

part numbers, 6-145

options, 2-3, 8-14

hardware, Option 029

in bottom assembly

illustrated, 6-150

part numbers, 6-149

HDD

illustrated, 6-16

part number, 6-14

HDDA

removal and replacement

illustrated, 7-53, 7-55

procedure, 7-52

high dynamic range

measurement configuration, 5-17

high power configuration capability,

Option H85, 2-3

HMA26.5

illustrated, 6-20, 6-26, 6-32, 6-38,
6-44, 6-50, 6-56, 6-62, 6-68, 6-74,
6-80, 6-88, 6-96, 6-104, 6-112,
6-120, 6-128, 6-136

operation, 5-11, 5-17

part number, 6-19, 6-25, 6-31, 6-37,
6-43, 6-49, 6-55, 6-61, 6-67, 6-73,
6-79, 6-87, 6-95, 6-103, 6-111,
6-119, 6-127, 6-135

removal and replacement

illustrated, 7-35

procedure, 7-34

troubleshooting, 4-32

I

IDE

data storage, 5-34

IF gain

adjustment, 3-38

IF inputs, Option 020, 2-4

IF multiplexer board

illustrated, 6-20, 6-26, 6-32, 6-38,
6-44, 6-50, 6-56, 6-62, 6-68, 6-74,
6-80, 6-88, 6-96, 6-104, 6-112,
6-120, 6-128, 6-136

operation, 5-22

part number, 6-19, 6-25, 6-31, 6-37,
6-43, 6-49, 6-55, 6-61, 6-67, 6-73,
6-79, 6-87, 6-95, 6-103, 6-111,
6-119, 6-127, 6-135

removal and replacement

illustrated, 7-33

procedure, 7-32

troubleshooting, 4-40

insertion loss

check

failure of, 3-15

test port cables, 3-15

installing

a serial number, 8-16

instrument specifications, 3-6

Integrated true-mode stimulus application,
Option 460, 2-6

interconnects

front panel, 5-32

HANDLER I/O

pin assignments, 5-14

PULSE I/O

pin assignments, 5-23

PWR I/O

pin assignments, 5-15

rear panel, 5-11, 5-12, 5-22, 5-34

Display, 5-34

EXT 10 MHz REF IN, 5-11

EXT 10 MHz REF OUT, 5-11

GPIB, 5-34

HANDLER I/O, 5-12

LAN, 5-34

TEST SET I/O, 5-12

USB, 5-34

VGA, 5-34

TEST SET I/O

pin assignments, 5-13

internal analyzer

replaceable hardware

illustrated, 6-152

part numbers, 6-151

replaceable parts

illustrated, 6-152

part numbers, 6-151

internal performance test software, 3-29

inverter board

illustrated, 6-13

part number, 6-12

removal and replacement

illustrated, 7-11

procedure, 7-10

troubleshooting, 4-12

IP address, LAN, 4-19

isolation

cause of failure, 8-12

definition of, 8-12

measurements affected by, 8-12

K

keypad assembly

illustrated, 6-13

operation, 5-32

parts list, 6-12

removal and replacement

illustrated, 7-11

procedure, 7-10

test, 4-14

troubleshooting, 4-13

kits

calibration, 2-12, 3-6

rack mount

part numbers, 6-156

upgrade

order numbers, 6-156

verification, 2-12, 3-6

knob

front panel

illustrated, 6-11

part number, 6-10

test, 4-15

troubleshooting, 4-13

L

LAN

connector

rear panel, 5-34

- cross-over cable, 4-21
 - IP address, 4-19
 - ping command, 4-19
 - ping to and from, 4-18
 - subnet mask, 4-19
 - testing between analyzers, 4-20
 - troubleshooting, 4-18
- LCD assembly**
- illustrated, 6-13
 - parts list, 6-12
- LED board**
- illustrated, 6-20, 6-26, 6-32, 6-38, 6-44, 6-50, 6-56, 6-62, 6-68, 6-74, 6-80, 6-88, 6-96, 6-104, 6-112, 6-120, 6-128, 6-136
 - part number, 6-19, 6-25, 6-31, 6-37, 6-43, 6-49, 6-55, 6-61, 6-67, 6-73, 6-79, 6-87, 6-95, 6-103, 6-111, 6-119, 6-127, 6-135
- LED board, front panel**
- illustrated, 6-148, 6-150
 - part number, 6-147, 6-149
 - removal and replacement illustrated, 7-65
 - procedure, 7-64
- linearity**
- source power test, 3-30
 - test port output power test, 3-30
- lithium battery**
- removal and replacement illustrated, 7-69, 7-71
 - procedure, 7-68
- lithium battery disposal, 1-8**
- LO synthesizer board**
- removal and replacement procedure, 7-14, 7-17
 - troubleshooting, 4-31
- load match**
- cause of failure, 8-11
 - definition of, 8-11
 - measurements affected by, 8-11
- locating**
- replaceable part numbers by reference designator, 6-6
- M**
- machine screws**
- in bottom assemblies illustrated, 6-148
 - part numbers, 6-147
 - in external analyzer illustrated, 6-154
 - part numbers, 6-153
 - in Option 029 bottom assemblies illustrated, 6-150
 - part numbers, 6-149
 - in rear panel assembly illustrated, 6-144
 - part numbers, 6-143
- magnitude check**
- failure of, 3-17
 - test port cables, 3-16
- maintenance**
- cleaning, 2-3
 - preventive effect on error terms, 8-3
- max output power**
- and frequency range, 5-5
- measurement**
- calibration, 8-3
 - traceability, 3-22
 - path, 3-22
 - uncertainty, 3-21
- measurement configuration**
- high dynamic range, 5-17
 - normal, 5-17
- measurement system**
- troubleshooting, 4-23
- mechanical switch**
- troubleshooting, 4-37
- memory modules**
- part numbers, 6-155
- midplane board**
- illustrated, 6-16
 - part number, 6-14
 - removal and replacement illustrated, 7-23
 - procedure, 7-22
- miscellaneous parts**
- required for servicing, 2-13
- miscellaneous replaceable parts**
- part numbers, 6-155
- mixer brick**
- illustrated, 6-20, 6-26, 6-32, 6-38, 6-44, 6-50, 6-56, 6-62, 6-68, 6-74, 6-80, 6-88, 6-96, 6-104, 6-112, 6-120, 6-128, 6-136
 - operation, 5-21
 - part number, 6-19, 6-25, 6-31, 6-37, 6-43, 6-49, 6-55, 6-61, 6-67, 6-73, 6-79, 6-87, 6-95, 6-103, 6-111, 6-119, 6-127, 6-135
 - removal and replacement illustrated, 7-39
 - procedure, 7-38
 - troubleshooting, 4-39
- model numbers**
- upgrade kits, 6-156
- module**
- exchange procedure, 6-5
- monitor, external, 4-12**
- motherboard, system**
- illustrated, 6-16
 - operation, 5-32
 - part number, 6-14
 - removal and replacement illustrated, 7-21
 - procedure, 7-20
- motherboard, test set**
- illustrated, 6-20, 6-26, 6-32, 6-38, 6-44, 6-50, 6-56, 6-62, 6-68, 6-74, 6-80, 6-88, 6-96, 6-104, 6-112, 6-120, 6-128, 6-136
 - part number, 6-19, 6-25, 6-31, 6-37, 6-43, 6-49, 6-55, 6-61, 6-67, 6-73, 6-79, 6-87, 6-95, 6-103, 6-111, 6-119, 6-127, 6-135

N

- N1966A, pulse I/O adapter, 2-9**
- N4689A, USB hub, 2-9**
- nameplate**
- front panel illustrated, 6-11
 - part number, 6-10
- network analyzer, *See analyzer***
- noise downconverter**
- illustrated, 6-32, 6-44, 6-56, 6-62, 6-68, 6-88, 6-104, 6-120, 6-136
 - operation, 5-27
 - part number, 6-31, 6-43, 6-55, 6-67, 6-87, 6-103, 6-119, 6-135
 - removal and replacement illustrated, 7-61
 - procedure, 7-60
- noise figure adjustment, 3-44**
- noise figure measurement capability using standard receivers, Option 028, 2-4**
- noise figure measurement capability, Option 029, 2-5**
- noise floor, test, 3-33**
- noise measurement group**
- block diagram, 5-29
 - defined, 4-28
 - functional description of, 5-6
 - operation, 5-27
- noise receiver board**
- illustrated, 6-16
 - operation, 5-28
 - part number, 6-14
- noise, trace noise test, 3-31**
- Non-ANSI/NCSL Z540-1-1994**
- verification, 3-10
- N-port calibrated measurements, Option 551, 2-7**

O

- OCXO (oven-controlled crystal oscillator)**
- frequency adjustment, 3-37
 - theory of operation, 5-11

- operating**
 - system
 - recovery, 8-18
- operating environment**
 - specifications, 3-4
 - verification, 3-4
- operation**
 - 13.5 GHz synthesizer boards, 5-10
 - 26.5 GHz source boards, 5-10
 - configurable test set, 5-16
 - CPU board, 5-33
 - data acquisition, 5-32
 - digital control, 5-30
 - digital processor, 5-30
 - display assembly, 5-32
 - frequency reference board, 5-11
 - front panel, 5-32
 - front panel display board, 5-32
 - hard disk drive, 5-34
 - HMA 26.5, 5-11
 - HMA26.5, 5-17
 - IF multiplexer board, 5-22
 - keypad assembly, 5-32
 - main RAM, 5-33
 - mixer brick, 5-21
 - noise measurement group, 5-27
 - power supply, 5-35
 - processing subgroup, 5-32
 - receiver group, 5-21
 - receiver step attenuators, 5-21
 - reference mixer switch, 5-21
 - signal separation group, 5-16
 - source group, 5-7
 - SPAM board—analogue, 5-24
 - SPAM board—digital, 5-33
 - system motherboard, 5-32
 - test port couplers, 5-17
 - test set motherboard, 5-12
- operator's check, 3-11**
 - accessories used in, 3-11
 - description of, 3-11
 - dialog box, 3-12
 - failure of, 3-12
 - performing, 3-11
- option**
 - analyzer, 2-3
 - data
 - recovering, 8-15
 - repairing, 8-15
 - enable utility, 8-13
 - accessing, 8-13
 - dialog box, 8-13
 - enabling and removing, 8-14
 - entitlement certificate, 8-13
 - hardware, 8-14
 - service and support, 2-14
 - software, 8-14
- Option 008, pulsed-RF measurements, 2-3**
- Option 010, time domain, 2-4**
- Option 020, IF inputs, 2-4**
- Option 021, source 1 pulse modulator, 2-4**
- Option 022, source 2 pulse modulator, 2-4**
- Option 025, four internal pulse generators, 2-4**
- Option 028, noise figure measurement capability using standard receivers, 2-4**
- Option 029, noise figure measurement capability, 2-5**
 - block diagram, 5-29
- Option 029, noise measurement capability**
 - functional description of, 5-6, 5-27
- Option 080, frequency offset mode, 2-5**
- Option 082, scaler calibrated converter measurements, 2-5**
- Option 083, vector and scaler calibrated frequency converter measurements, 2-5**
- Option 1CM, rack mount without handles, 2-5**
- Option 1CP, rack mount with handles, 2-5**
- Option 200**
 - description of, 2-6
- Option 219**
 - description of, 2-6
- Option 224**
 - description of, 2-6
- Option 400**
 - description of, 2-6
- Option 419**
 - description of, 2-6
- Option 423**
 - description of, 2-6
- Option 460**
 - description of, 2-6
- Option 551**
 - description of, 2-7
- Option 897**
 - built-in tests for commercial calibration, 2-7
- Option 898**
 - built-in tests for standard compliant calibration, 2-7
- Option H85, high power configuration capability, 2-3**
- Option 200, bottom assembly**
 - replaceable RF cables
 - illustrated, 6-22
 - part numbers, 6-21
 - replaceable ribbon cables
 - illustrated, 6-24
 - part numbers, 6-23
 - replaceable wire harnesses
 - illustrated, 6-24
 - part numbers, 6-23
- Option 219, bottom assembly**
 - replaceable RF cables
 - illustrated, 6-28
 - part numbers, 6-27
- replaceable ribbon cables
 - illustrated, 6-30
 - part numbers, 6-29
- replaceable wire harnesses
 - illustrated, 6-30
 - part numbers, 6-29
- Option 219/029, bottom assembly**
 - replaceable RF cables
 - illustrated, 6-34
 - part numbers, 6-33
 - replaceable ribbon cables
 - illustrated, 6-36
 - part numbers, 6-35
 - replaceable wire harnesses
 - illustrated, 6-36
 - part numbers, 6-35
- Option 219/029/H85, bottom assembly**
 - replaceable RF cables
 - illustrated, 6-46
 - part numbers, 6-45
 - replaceable ribbon cables
 - illustrated, 6-48
 - part numbers, 6-47
 - replaceable wire harnesses
 - illustrated, 6-48
 - part numbers, 6-47
- Option 219/H85, bottom assembly**
 - replaceable RF cables
 - illustrated, 6-40
 - part numbers, 6-39
 - replaceable ribbon cables
 - illustrated, 6-42
 - part numbers, 6-41
 - replaceable wire harnesses
 - illustrated, 6-42
 - part numbers, 6-41
- Option 224, bottom assembly**
 - replaceable RF cables
 - illustrated, 6-52
 - part numbers, 6-51
 - replaceable ribbon cables
 - illustrated, 6-54
 - part numbers, 6-53
 - replaceable wire harnesses
 - illustrated, 6-54
 - part numbers, 6-53
- Option 224/029, bottom assembly**
 - replaceable RF cables
 - illustrated, 6-58
 - part numbers, 6-57
 - replaceable ribbon cables
 - illustrated, 6-60
 - part numbers, 6-59
 - replaceable wire harnesses
 - illustrated, 6-60
 - part numbers, 6-59
- Option 224/029/H85, bottom assembly**
 - replaceable RF cables

- illustrated, 6-70
 - part numbers, 6-69
 - replaceable ribbon cables
 - illustrated, 6-72
 - part numbers, 6-71
 - replaceable wire harnesses
 - illustrated, 6-72
 - part numbers, 6-71
 - Option 224/H85, bottom assembly**
 - replaceable RF cables
 - illustrated, 6-64
 - part numbers, 6-63
 - replaceable ribbon cables
 - illustrated, 6-66
 - part numbers, 6-65
 - replaceable wire harnesses
 - illustrated, 6-66
 - part numbers, 6-65
 - Option 400, bottom assembly**
 - replaceable RF cables
 - illustrated, 6-76
 - part numbers, 6-75
 - replaceable ribbon cables
 - illustrated, 6-78
 - part numbers, 6-77
 - replaceable wire harnesses
 - illustrated, 6-78
 - part numbers, 6-77
 - Option 419, bottom assembly**
 - replaceable RF cables
 - illustrated, 6-82, 6-84
 - part numbers, 6-81, 6-83
 - replaceable ribbon cables
 - illustrated, 6-86
 - part numbers, 6-85
 - replaceable wire harnesses
 - illustrated, 6-86
 - part numbers, 6-85
 - Option 419/029, bottom assembly**
 - replaceable RF cables
 - illustrated, 6-90, 6-92
 - part numbers, 6-89, 6-91
 - replaceable ribbon cables
 - illustrated, 6-94
 - part numbers, 6-93
 - replaceable wire harnesses
 - illustrated, 6-94
 - part numbers, 6-93
 - Option 419/029/H85, bottom assembly**
 - replaceable RF cables
 - illustrated, 6-106, 6-108
 - part numbers, 6-105, 6-107
 - replaceable ribbon cables
 - illustrated, 6-110
 - part numbers, 6-109
 - replaceable wire harnesses
 - illustrated, 6-110
 - part numbers, 6-109
 - Option 419/H85, bottom assembly**
 - replaceable RF cables
 - illustrated, 6-97, 6-98, 6-100
 - part numbers, 6-97, 6-99
 - replaceable ribbon cables
 - illustrated, 6-102
 - part numbers, 6-101
 - replaceable wire harnesses
 - illustrated, 6-102
 - part numbers, 6-101
 - Option 423, bottom assembly**
 - replaceable RF cables
 - illustrated, 6-114, 6-116
 - part numbers, 6-113, 6-115
 - replaceable ribbon cables
 - illustrated, 6-118
 - part numbers, 6-117
 - replaceable wire harnesses
 - illustrated, 6-118
 - part numbers, 6-117
 - Option 423/029, bottom assembly**
 - replaceable RF cables
 - illustrated, 6-122, 6-124
 - part numbers, 6-121, 6-123
 - replaceable ribbon cables
 - illustrated, 6-126
 - part numbers, 6-125
 - replaceable wire harnesses
 - illustrated, 6-126
 - part numbers, 6-125
 - Option 423/029/H85, bottom assembly**
 - replaceable RF cables
 - illustrated, 6-138, 6-140
 - part numbers, 6-137, 6-139
 - replaceable ribbon cables
 - illustrated, 6-142
 - part numbers, 6-141
 - replaceable wire harnesses
 - illustrated, 6-142
 - part numbers, 6-141
 - Option 423/H85, bottom assembly**
 - replaceable RF cables
 - illustrated, 6-130, 6-132
 - part numbers, 6-129, 6-131
 - replaceable ribbon cables
 - illustrated, 6-134
 - part numbers, 6-133
 - replaceable wire harnesses
 - illustrated, 6-134
 - part numbers, 6-133
 - ordering information**
 - options and upgrades, 2-3, 2-8
 - replaceable parts, 6-4
 - output power, source**
 - accuracy test, 3-29
 - linearity, 3-30
 - maximum test, 3-30
 - output power, test port**
 - accuracy test, 3-29
 - linearity, 3-30
 - maximum test, 3-30
 - overlay**
 - lower front panel
 - illustrated, 6-11
 - part number, 6-10
 - power switch
 - part number, 6-10, 6-11
- ## P
- pads**
 - required for servicing, 2-12
 - paint**
 - touch-up
 - part numbers, 6-156
 - part numbers**
 - accessories
 - USB, 6-155
 - cables
 - GPIB, 6-155
 - cables, all
 - in top assembly, all options, 6-17
 - documentation, 6-155
 - hardware
 - in bottom assembly, 6-147
 - in external analyzer, 6-153
 - in internal analyzer, 6-151
 - in rear panel assembly, 6-143
 - in top assembly, all options, 6-145
 - kits
 - rack mount, 6-156
 - listing
 - by reference designator, 6-6
 - Option 029 hardware
 - in bottom assembly, 6-149
 - paint
 - touch-up, 6-156
 - replaceable parts
 - analyzer covers, 6-153
 - analyzer feet, 6-153
 - analyzer strap handle, 6-153
 - in bottom assembly hardware, all options, 6-147
 - in bottom assembly hardware, Option 029, 6-149
 - in bottom assembly, Option 200, 6-19
 - in bottom assembly, Option 219, 6-25
 - in bottom assembly, Option 219/029, 6-31, 6-32
 - in bottom assembly, Option 219/029/H85, 6-43, 6-44
 - in bottom assembly, Option 219/H85, 6-37, 6-38

- in bottom assembly, Option 224, 6-49, 6-50
- in bottom assembly, Option 224/029, 6-55, 6-56
- in bottom assembly, Option 224/029/H85, 6-67, 6-68
- in bottom assembly, Option 224/H85, 6-61, 6-62
- in bottom assembly, Option 400, 6-73
- in bottom assembly, Option 419, 6-79
- in bottom assembly, Option 419/029, 6-87
- in bottom assembly, Option 419/029/H85, 6-103
- in bottom assembly, Option 419/H85, 6-95
- in bottom assembly, Option 423, 6-111
- in bottom assembly, Option 423/029, 6-119
- in bottom assembly, Option 423/029/H85, 6-135
- in bottom assembly, Option 423/H85, 6-127
- in external analyzer, 6-153
- in front panel assembly, 6-10, 6-12
- in internal analyzer, 6-151
- in rear panel assembly, 6-143
- in top assembly, all options, 6-14, 6-16, 6-145
- miscellaneous analyzer, 6-155
- replaceable RF cables
 - in bottom assembly, Option 200, 6-21
 - in bottom assembly, Option 219, 6-27
 - in bottom assembly, Option 219/029, 6-33
 - in bottom assembly, Option 219/029/H85, 6-45
 - in bottom assembly, Option 219/H85, 6-39
 - in bottom assembly, Option 224, 6-51
 - in bottom assembly, Option 224/029, 6-57
 - in bottom assembly, Option 224/029/H85, 6-69
 - in bottom assembly, Option 224/H85, 6-63
 - in bottom assembly, Option 400, 6-75
 - in bottom assembly, Option 419, 6-81, 6-83
 - in bottom assembly, Option 419/029, 6-89, 6-91
 - in bottom assembly, Option 419/029/H85, 6-105, 6-107
 - in bottom assembly, Option 419/H85, 6-97, 6-99
 - in bottom assembly, Option 423, 6-113, 6-115
 - in bottom assembly, Option 423/029, 6-121, 6-123
 - in bottom assembly, Option 423/029/H85, 6-137, 6-139
 - in bottom assembly, Option 423/H85, 6-129, 6-131
- replaceable ribbon cables
 - in bottom assembly, Option 200, 6-23
 - in bottom assembly, Option 219, 6-29
 - in bottom assembly, Option 219/029, 6-35
 - in bottom assembly, Option 219/029/H85, 6-47
 - in bottom assembly, Option 219/H85, 6-41
 - in bottom assembly, Option 224, 6-53
 - in bottom assembly, Option 224/029, 6-59
 - in bottom assembly, Option 224/029/H85, 6-71
 - in bottom assembly, Option 224/H85, 6-65
 - in bottom assembly, Option 400, 6-77
 - in bottom assembly, Option 419, 6-85
 - in bottom assembly, Option 419/029, 6-93
 - in bottom assembly, Option 419/029/H85, 6-109
 - in bottom assembly, Option 419/H85, 6-101
 - in bottom assembly, Option 423, 6-117
 - in bottom assembly, Option 423/029, 6-125
 - in bottom assembly, Option 423/029/H85, 6-141
 - in bottom assembly, Option 423/H85, 6-133
- supplies
 - battery, 6-156
 - ESD, 6-155
 - memory modules, 6-155
- tools
 - service, 6-155
- upgrade kits, 6-156
- Parts, 6-1**
- parts**
 - in bottom assembly
 - illustrated, 6-148
 - part numbers, 6-147
 - in bottom assembly, Option 200
 - illustrated, 6-20
 - part numbers, 6-19
 - in bottom assembly, Option 219
 - illustrated, 6-26
 - part numbers, 6-25
 - in bottom assembly, Option 219/029
 - part numbers, 6-31, 6-32
 - in bottom assembly, Option 219/029/H85
 - part numbers, 6-43, 6-44
 - in bottom assembly, Option 219/H85

- part numbers, 6-37, 6-38
- in bottom assembly, Option 224
 - part numbers, 6-49, 6-50
- in bottom assembly, Option 224/029
 - part numbers, 6-55, 6-56
- in bottom assembly, Option 224/029/H85
 - part numbers, 6-67, 6-68
- in bottom assembly, Option 224/H85
 - part numbers, 6-61, 6-62
- in bottom assembly, Option 400
 - illustrated, 6-74
 - part numbers, 6-73
- in bottom assembly, Option 419
 - illustrated, 6-80
 - part numbers, 6-79
- in bottom assembly, Option 419/029
 - illustrated, 6-88
 - part numbers, 6-87
- in bottom assembly, Option 419/029/H85
 - illustrated, 6-104
 - part numbers, 6-103
- in bottom assembly, Option 419/H85
 - illustrated, 6-96
 - part numbers, 6-95
- in bottom assembly, Option 423
 - illustrated, 6-112
 - part numbers, 6-111
- in bottom assembly, Option 423/029
 - illustrated, 6-120
 - part numbers, 6-119
- in bottom assembly, Option 423/029/H85
 - illustrated, 6-136
 - part numbers, 6-135
- in bottom assembly, Option 423/H85
 - illustrated, 6-128
 - part numbers, 6-127
- in external analyzer
 - illustrated, 6-154
 - part numbers, 6-153
- in front panel assembly
 - illustrated, 6-11, 6-13
 - part numbers, 6-10, 6-12
- in internal analyzer
 - illustrated, 6-152
 - part numbers, 6-151
- in rear panel assembly
 - illustrated, 6-144
 - part numbers, 6-143
- in top assembly, all options
 - illustrated, 6-145, 6-146
 - part numbers, 6-14, 6-16, 6-145
- listing
 - by reference designator, 6-6
- miscellaneous
 - part numbers, 6-155
- required for servicing, 2-13
- replaceable
 - listing of, 6-6
 - ordering information, 6-4
- parts, hardware**
 - in bottom assembly
 - illustrated, 6-148
 - part numbers, 6-147
 - in external analyzer, all options
 - illustrated, 6-154
 - part numbers, 6-153
 - in internal analyzer, all options
 - illustrated, 6-152
 - part numbers, 6-151
 - in rear panel assembly, all options
 - illustrated, 6-144
 - part numbers, 6-143
 - in top assembly, all options
 - illustrated, 6-145, 6-146
 - part numbers, 6-145
- parts, Option 029**
 - in bottom assembly
 - illustrated, 6-150
 - part numbers, 6-149
- parts, Option 029 hardware**
 - in bottom assembly
 - illustrated, 6-150
 - part numbers, 6-149
- password**
 - Agilent administrator, 7-56
- performance**
 - tests, 3-29
 - calibration coefficients, 3-34
 - description of, 3-7
 - dynamic accuracy, 3-35
 - frequency accuracy, 3-31
 - noise floor, 3-33
 - receiver compression, 3-32
 - source maximum power output, 3-30
 - source power accuracy, 3-29
 - source power linearity, 3-30
 - test port output maximum power, 3-30
 - test port output power accuracy, 3-29
 - test port output power linearity, 3-30
 - trace noise, 3-31
 - verification
 - ANSI/NCSS Z540-1-1994, 3-9
 - non-ANSI/NCSS Z540-1-1994, 3-10
- performance test software, internal, 3-29**
- phase stability check**
 - failure of, 3-17
 - test port cables, 3-16
- pin assignments**
 - connectors
 - HANDLER I/O, 5-14
 - PULSE I/O, 5-23
 - PWR I/O, 5-15
 - TEST SET I/O, 5-13
- ping**
 - command, LAN, 4-19
 - from network, 4-20
 - to analyzer, 4-19
- pixel**
 - damaged, 4-15
 - definition, 4-15
- Port 1**
 - typical power output, 4-35
- Port 2**
 - typical power output, 4-35
- Port 3**
 - typical power output, 4-35
- Port 4**
 - typical power output, 4-35
- post-repair procedures, 7-72**
- power button keypad**
 - removal and replacement
 - illustrated, 7-11
 - procedure, 7-11
- power supply**
 - check, 4-7
 - functional description of, 5-6
 - functional group, 5-4
 - operation, 5-35
- power supply assembly**
 - illustrated, 6-16
 - part number, 6-14
 - removal and replacement
 - illustrated, 7-25
 - procedure, 7-24
 - troubleshooting, 4-7
- power switch board**
 - illustrated, 6-13
 - parts list, 6-12
 - removal and replacement
 - illustrated, 7-11
 - procedure, 7-11
- power switch overlay**
 - part number, 6-10, 6-11
- power up**
 - troubleshooting, 4-6
- power, source**
 - accuracy test, 3-29
 - linearity test, 3-30
- power, source output**
 - maximum test, 3-30
- power, test port output**
 - accuracy test, 3-29
 - linearity test, 3-30
 - maximum test, 3-30
- pre-repair**
 - procedures
 - caution about, 7-3
 - warnings about, 7-3

- preventive maintenance**
 - effect on error terms, 8-3
 - procedure, 7-14, 7-17**
 - processing subgroup**
 - operation, 5-32
 - protection**
 - against ESD, 1-6, 3-4, 4-3, 7-3, 8-4
 - pulse generators-internal, Option 025, 2-4**
 - PULSE I/O**
 - connector
 - pin assignments, 5-23
 - pulse I/O adapter, accessory, 2-9**
 - pulse modulator-source 1, Option 021, 2-4**
 - pulse modulator-source 2, Option 022, 2-4**
 - pulsed-RF measurements, Option 008, 2-3**
 - PWR I/O**
 - connector
 - pin assignments, 5-15
- ## R
- R receiver**
 - troubleshooting, 4-26
 - R trace**
 - troubleshooting, 4-26
 - rack mount kits**
 - part numbers, 6-156
 - with handles, Option 1CP, 2-5
 - without handles, Option 1CM, 2-5
 - RAM, main**
 - operation, 5-33
 - rear panel**
 - connectors
 - Display, 5-34
 - EXT 10 MHz REF IN, 5-11
 - GPIO, 5-34
 - HANDLER I/O, 5-12
 - LAN, 5-34
 - TEST SET I/O, 5-12
 - USB, 5-34
 - VGA, 5-34
 - interconnects, 5-11, 5-12, 5-22, 5-34
 - removal and replacement
 - illustrated, 7-63
 - procedure, 7-62
 - replaceable parts
 - illustrated, 6-144
 - part numbers, 6-143
 - troubleshooting, 4-17
 - USB
 - troubleshooting, 4-17
 - rebuilt-exchange assemblies**
 - program, 6-5
 - receiver**
 - accuracy
 - dynamic accuracy test, 3-35
 - adjustment, 3-40
 - calibration, 3-40
 - compression test, 3-32
 - dynamic accuracy test, 3-35
 - functional description of, 5-6
 - functional group, 5-4
 - linearity
 - dynamic accuracy test, 3-35
 - outputs
 - troubleshooting, 4-39
 - receiver A**
 - troubleshooting, 4-26, 4-34
 - typical power output, 4-35
 - receiver B**
 - troubleshooting, 4-26, 4-34
 - typical power output, 4-35
 - receiver C**
 - troubleshooting, 4-26, 4-34
 - typical power output, 4-35
 - receiver characterization**
 - adjustment, 3-43
 - receiver D**
 - troubleshooting, 4-26, 4-34
 - typical power output, 4-35
 - receiver display**
 - running the test, 4-26
 - receiver group**
 - block diagram, 5-25, 5-26
 - defined, 4-28
 - operation, 5-21
 - troubleshooting, 4-38
 - receiver R**
 - troubleshooting, 4-26
 - receiver step attenuator**
 - operation, 5-21
 - removal and replacement
 - illustrated, 7-47
 - procedure, 7-46
 - troubleshooting, 4-40
 - recovery**
 - operating system, 8-18
 - option data, 8-15
 - reference mixer switch**
 - illustrated, 6-20, 6-26, 6-32, 6-38, 6-44, 6-50, 6-56, 6-62, 6-68, 6-74, 6-80, 6-88, 6-96, 6-104, 6-112, 6-120, 6-128, 6-136
 - operation, 5-21
 - part number, 6-19, 6-25, 6-31, 6-37, 6-43, 6-49, 6-55, 6-61, 6-67, 6-73, 6-79, 6-87, 6-95, 6-103, 6-111, 6-119, 6-127, 6-135
 - removal and replacement
 - illustrated, 7-45
 - procedure, 7-44
 - troubleshooting, 4-39
 - reference receiver, See R receiver**
 - regulatory information, 1-7**
 - removing**
 - assemblies, *See specific assembly.*
 - options, 8-14
 - parts, *See specific part.*
 - removing the cover, 1-4**
 - repair**
 - post-repair procedures, 7-72
 - procedures
 - caution about, 7-3
 - warnings about, 7-3
 - repairing**
 - option data, 8-15
 - replaceable cables, flexible**
 - in top assembly, all options
 - illustrated, 6-18
 - part numbers, 6-17
 - replaceable cables, ribbon**
 - in top assembly, all options
 - illustrated, 6-18
 - part numbers, 6-17
 - replaceable cables, semi-rigid**
 - in top assembly, all options
 - illustrated, 6-18
 - part numbers, 6-17
 - replaceable cables, wire harnesses**
 - in top assembly, all options
 - illustrated, 6-18
 - part numbers, 6-17
 - replaceable hardware**
 - in bottom assembly
 - illustrated, 6-148
 - part numbers, 6-147
 - in external analyzer
 - illustrated, 6-154
 - part numbers, 6-153
 - in internal analyzer
 - illustrated, 6-152
 - part numbers, 6-151
 - in rear panel assembly
 - illustrated, 6-144
 - part numbers, 6-143
 - in top assembly
 - illustrated, 6-145, 6-146
 - part numbers, 6-145
 - replaceable hardware, Option 029**
 - in bottom assembly
 - illustrated, 6-150
 - part numbers, 6-149
 - replaceable parts**
 - hardware, in bottom assembly
 - illustrated, 6-148
 - part numbers, 6-147
 - in bottom assembly, Option 200
 - illustrated, 6-20
 - part numbers, 6-19
 - in bottom assembly, Option 219
 - illustrated, 6-26
 - part numbers, 6-25
 - in bottom assembly, Option 219/029
 - part numbers, 6-31, 6-32
 - in bottom assembly, Option 219/029/H85

- part numbers, [6-43](#), [6-44](#)
- in bottom assembly, Option 219/H85
- part numbers, [6-37](#), [6-38](#)
- in bottom assembly, Option 224
- part numbers, [6-49](#), [6-50](#)
- in bottom assembly, Option 224/029
- part numbers, [6-55](#), [6-56](#)
- in bottom assembly, Option 224/029/H85
- part numbers, [6-67](#), [6-68](#)
- in bottom assembly, Option 224/H85
- part numbers, [6-61](#), [6-62](#)
- in bottom assembly, Option 400
- illustrated, [6-74](#)
- part numbers, [6-73](#)
- in bottom assembly, Option 419
- illustrated, [6-80](#)
- part numbers, [6-79](#)
- in bottom assembly, Option 419/029
- illustrated, [6-88](#)
- part numbers, [6-87](#)
- in bottom assembly, Option 419/029/H85
- illustrated, [6-104](#)
- part numbers, [6-103](#)
- in bottom assembly, Option 419/H85
- illustrated, [6-96](#)
- part numbers, [6-95](#)
- in bottom assembly, Option 423
- illustrated, [6-112](#)
- part numbers, [6-111](#)
- in bottom assembly, Option 423/029
- illustrated, [6-120](#)
- part numbers, [6-119](#)
- in bottom assembly, Option 423/029/H85
- illustrated, [6-136](#)
- part numbers, [6-135](#)
- in bottom assembly, Option 423/H85
- illustrated, [6-128](#)
- part numbers, [6-127](#)
- in external analyzer
- illustrated, [6-154](#)
- part numbers, [6-153](#)
- in front panel assembly
- illustrated, [6-11](#), [6-13](#)
- part numbers, [6-10](#), [6-12](#)
- in internal analyzer
- illustrated, [6-152](#)
- part numbers, [6-151](#)
- in rear panel assembly
- illustrated, [6-144](#)
- part numbers, [6-143](#)
- in top assembly, all options, [6-14](#), [6-16](#)
- illustrated, [6-145](#), [6-146](#)
- part numbers, [6-145](#)
- listing
 - by reference designator, [6-6](#)
 - listing of, [6-6](#)
 - miscellaneous analyzer
 - part numbers, [6-155](#)
 - ordering information, [6-4](#)
- replaceable parts, Option 029**
 - hardware, in bottom assembly
 - illustrated, [6-150](#)
 - part numbers, [6-149](#)
- replaceable RF cables**
 - in bottom assembly, Option 200
 - illustrated, [6-22](#)
 - part numbers, [6-21](#)
 - in bottom assembly, Option 219
 - illustrated, [6-28](#)
 - part numbers, [6-27](#)
 - in bottom assembly, Option 219/029
 - illustrated, [6-34](#)
 - part numbers, [6-33](#)
 - in bottom assembly, Option 219/029/H85
 - illustrated, [6-46](#)
 - part numbers, [6-45](#)
 - in bottom assembly, Option 219/H85
 - illustrated, [6-40](#)
 - part numbers, [6-39](#)
 - in bottom assembly, Option 224
 - illustrated, [6-52](#)
 - part numbers, [6-51](#)
 - in bottom assembly, Option 224/029
 - illustrated, [6-58](#)
 - part numbers, [6-57](#)
 - in bottom assembly, Option 224/029/H85
 - illustrated, [6-70](#)
 - part numbers, [6-69](#)
 - in bottom assembly, Option 224/H85
 - illustrated, [6-64](#)
 - part numbers, [6-63](#)
 - in bottom assembly, Option 400
 - illustrated, [6-76](#)
 - part numbers, [6-75](#)
 - in bottom assembly, Option 419
 - illustrated, [6-82](#), [6-84](#)
 - part numbers, [6-81](#), [6-83](#)
 - in bottom assembly, Option 419/029
 - illustrated, [6-90](#), [6-92](#)
 - part numbers, [6-89](#), [6-91](#)
 - in bottom assembly, Option 419/029/H85
 - illustrated, [6-106](#), [6-108](#)
 - part numbers, [6-105](#), [6-107](#)
 - in bottom assembly, Option 419/H85
 - illustrated, [6-97](#), [6-98](#), [6-100](#)
 - part numbers, [6-97](#), [6-99](#)
 - in bottom assembly, Option 423
 - illustrated, [6-114](#), [6-116](#)
 - part numbers, [6-113](#), [6-115](#)
- in bottom assembly, Option 423/029
 - illustrated, [6-122](#), [6-124](#)
 - part numbers, [6-121](#), [6-123](#)
- in bottom assembly, Option 423/029/H85
 - illustrated, [6-138](#), [6-140](#)
 - part numbers, [6-137](#), [6-139](#)
- in bottom assembly, Option 423/H85
 - illustrated, [6-130](#), [6-132](#)
 - part numbers, [6-129](#), [6-131](#)
- replaceable ribbon cables**
 - in bottom assembly, Option 200
 - illustrated, [6-24](#)
 - part numbers, [6-23](#)
 - in bottom assembly, Option 219
 - illustrated, [6-30](#)
 - part numbers, [6-29](#)
 - in bottom assembly, Option 219/029
 - illustrated, [6-36](#)
 - part numbers, [6-35](#)
 - in bottom assembly, Option 219/029/H85
 - illustrated, [6-48](#)
 - part numbers, [6-47](#)
 - in bottom assembly, Option 219/H85
 - illustrated, [6-42](#)
 - part numbers, [6-41](#)
 - in bottom assembly, Option 224
 - illustrated, [6-54](#)
 - part numbers, [6-53](#)
 - in bottom assembly, Option 224/029
 - illustrated, [6-60](#)
 - part numbers, [6-59](#)
 - in bottom assembly, Option 224/029/H85
 - illustrated, [6-72](#)
 - part numbers, [6-71](#)
 - in bottom assembly, Option 224/H85
 - illustrated, [6-66](#)
 - part numbers, [6-65](#)
 - in bottom assembly, Option 400
 - illustrated, [6-78](#)
 - part numbers, [6-77](#)
 - in bottom assembly, Option 419
 - illustrated, [6-86](#)
 - part numbers, [6-85](#)
 - in bottom assembly, Option 419/029
 - illustrated, [6-94](#)
 - part numbers, [6-93](#)
 - in bottom assembly, Option 419/029/H85
 - illustrated, [6-110](#)
 - part numbers, [6-109](#)
 - in bottom assembly, Option 419/H85
 - illustrated, [6-102](#)
 - part numbers, [6-101](#)
 - in bottom assembly, Option 423

- illustrated, [6-118](#)
- part numbers, [6-117](#)
- in bottom assembly, Option 423/029
 - illustrated, [6-126](#)
 - part numbers, [6-125](#)
- in bottom assembly,
 - Option 423/029/H85
 - illustrated, [6-142](#)
 - part numbers, [6-141](#)
 - in bottom assembly, Option 423/H85
 - illustrated, [6-134](#)
 - part numbers, [6-133](#)
- replaceable wire harnesses**
- in bottom assembly, Option 200
 - illustrated, [6-24](#)
 - part numbers, [6-23](#)
- in bottom assembly, Option 219
 - illustrated, [6-30](#)
 - part numbers, [6-29](#)
- in bottom assembly, Option 219/029
 - illustrated, [6-36](#)
 - part numbers, [6-35](#)
- in bottom assembly,
 - Option 219/029/H85
 - illustrated, [6-48](#)
 - part numbers, [6-47](#)
 - in bottom assembly, Option 219/H85
 - illustrated, [6-42](#)
 - part numbers, [6-41](#)
 - in bottom assembly, Option 224
 - illustrated, [6-54](#)
 - part numbers, [6-53](#)
 - in bottom assembly, Option 224/029
 - illustrated, [6-60](#)
 - part numbers, [6-59](#)
 - in bottom assembly,
 - Option 224/029/H85
 - illustrated, [6-72](#)
 - part numbers, [6-71](#)
 - in bottom assembly, Option 224/H85
 - illustrated, [6-66](#)
 - part numbers, [6-65](#)
 - in bottom assembly, Option 400
 - illustrated, [6-78](#)
 - part numbers, [6-77](#)
 - in bottom assembly, Option 419
 - illustrated, [6-86](#)
 - part numbers, [6-85](#)
 - in bottom assembly, Option 419/029
 - illustrated, [6-94](#)
 - part numbers, [6-93](#)
 - in bottom assembly,
 - Option 419/029/H85
 - illustrated, [6-110](#)
 - part numbers, [6-109](#)
 - in bottom assembly, Option 419/H85
 - illustrated, [6-102](#)
 - part numbers, [6-101](#)
 - in bottom assembly, Option 423
 - illustrated, [6-118](#)
 - part numbers, [6-117](#)
 - in bottom assembly, Option 423/029
 - illustrated, [6-126](#)
 - part numbers, [6-125](#)
 - in bottom assembly,
 - Option 423/029/H85
 - illustrated, [6-142](#)
 - part numbers, [6-141](#)
 - in bottom assembly, Option 423/H85
 - illustrated, [6-134](#)
 - part numbers, [6-133](#)
 - replacement**
 - A1 front panel interface board
 - illustrated, [7-11](#)
 - procedure, [7-10](#)
 - A10 frequency reference board
 - illustrated, [7-16](#), [7-19](#)
 - procedure, [7-14](#), [7-17](#)
 - A11 13.5 GHz LO synthesizer board
 - illustrated, [7-16](#), [7-19](#)
 - procedure, [7-14](#), [7-17](#)
 - A12 SPAM board
 - illustrated, [7-16](#), [7-19](#)
 - procedure, [7-14](#), [7-17](#)
 - A13 13.5 GHz source 2 synthesizer board
 - illustrated, [7-16](#), [7-19](#)
 - procedure, [7-14](#), [7-17](#)
 - A14 motherboard
 - illustrated, [7-21](#)
 - procedure, [7-20](#)
 - A15 midplane board
 - illustrated, [7-23](#)
 - procedure, [7-22](#)
 - A16 power supply assembly
 - illustrated, [7-25](#)
 - procedure, [7-24](#)
 - A17 CPU board
 - illustrated, [7-27](#)
 - procedure, [7-26](#)
 - A18 GPIB board
 - illustrated, [7-29](#)
 - procedure, [7-28](#)
 - A19 test set motherboard
 - illustrated, [7-31](#)
 - procedure, [7-30](#)
 - A2 USB board
 - illustrated, [7-11](#)
 - procedure, [7-10](#)
 - A20 IF multiplexer board
 - illustrated, [7-33](#)
 - procedure, [7-32](#)
 - A21 HMA26.5
 - illustrated, [7-35](#)
 - procedure, [7-34](#)
 - A22 splitter
 - illustrated, [7-37](#)
 - procedure, [7-36](#)
 - A23 mixer brick
 - illustrated, [7-39](#)
 - procedure, [7-38](#)
 - A24 mixer brick
 - illustrated, [7-39](#)
 - procedure, [7-38](#)
 - A25 test port 1 bridge
 - illustrated, [7-41](#)
 - procedure, [7-40](#)
 - A26 test port 3 bridge
 - illustrated, [7-41](#)
 - procedure, [7-40](#)
 - A27 test port 4 bridge
 - illustrated, [7-41](#)
 - procedure, [7-40](#)
 - A28 test port 2 bridge
 - illustrated, [7-41](#)
 - procedure, [7-40](#)
 - A29 test port 1 coupler
 - procedure, [7-42](#), [7-43](#)
 - A3 display assembly
 - illustrated, [7-12](#), [7-13](#)
 - procedure, [7-12](#)
 - A30 test port 3 coupler
 - procedure, [7-42](#), [7-43](#)
 - A31 test port 4 coupler
 - procedure, [7-42](#), [7-43](#)
 - A32 test port 2 coupler
 - illustrated, [7-43](#)
 - procedure, [7-42](#)
 - A33 reference mixer switch
 - illustrated, [7-45](#)
 - procedure, [7-44](#)
 - A34 test port 1 source step attenuator
 - illustrated, [7-47](#)
 - procedure, [7-46](#)
 - A35 test port 3 source step attenuator
 - illustrated, [7-47](#)
 - procedure, [7-46](#)
 - A36 test port 4 source step attenuator
 - illustrated, [7-47](#)
 - procedure, [7-46](#)
 - A37 test port 2 source step attenuator
 - illustrated, [7-47](#)
 - procedure, [7-46](#)
 - A38 test port 1 bias tee
 - illustrated, [7-47](#), [7-49](#)
 - procedure, [7-46](#), [7-48](#)
 - A39 test port 3 bias tee
 - illustrated, [7-47](#), [7-49](#)
 - procedure, [7-46](#), [7-48](#)
 - A4 13.5 GHz source 1 synthesizer board

- illustrated, [7-16](#), [7-19](#)
- procedure, [7-14](#), [7-17](#)
- A40 test port 4 bias tee
 - illustrated, [7-47](#), [7-49](#)
 - procedure, [7-46](#), [7-48](#)
- A41 test port 2 bias tee
 - illustrated, [7-47](#), [7-49](#)
 - procedure, [7-46](#), [7-48](#)
- A42 test port 1 receiver step
 - attenuator
 - illustrated, [7-47](#)
 - procedure, [7-46](#)
- A43 test port 3 receiver step
 - attenuator
 - illustrated, [7-47](#)
 - procedure, [7-46](#)
- A44 test port 4 receiver step
 - attenuator
 - illustrated, [7-47](#)
 - procedure, [7-46](#)
- A45 test port 2 receiver step
 - attenuator
 - illustrated, [7-47](#)
 - procedure, [7-46](#)
- A46 test port 1 mechanical switch
 - illustrated, [7-51](#)
 - procedure, [7-50](#)
- A47 test port 3 mechanical switch
 - illustrated, [7-51](#)
 - procedure, [7-50](#)
- A48 test port 4 mechanical switch
 - illustrated, [7-51](#)
 - procedure, [7-50](#)
- A49 test port 2 mechanical switch
 - illustrated, [7-51](#)
 - procedure, [7-50](#)
- A5 26.5 GHz source 1 board
 - illustrated, [7-16](#), [7-19](#)
 - procedure, [7-14](#), [7-17](#)
- A50 combiner
 - illustrated, [7-51](#)
 - procedure, [7-50](#)
- A51 hard disk drive
 - illustrated, [7-53](#), [7-55](#)
 - procedure, [7-52](#)
- A52 test port 1 Option 029 switch
 - illustrated, [7-59](#)
 - procedure, [7-58](#)
- A53 test port 2 Option 029 switch
 - illustrated, [7-59](#)
- A54 test port 2 Option 029 bridge
 - illustrated, [7-61](#)
 - procedure, [7-60](#)
- A55 noise downconverter
 - illustrated, [7-61](#)
 - procedure, [7-60](#)
- A8 26.5 GHz source 2 board
 - illustrated, [7-16](#), [7-19](#)
 - procedure, [7-14](#), [7-17](#)
- analyzer covers
 - illustrated, [7-7](#)
 - procedure, [7-6](#)
- assembly
 - list of procedures, [7-4](#)
 - sequence, [6-4](#)
- battery
 - illustrated, [7-69](#), [7-71](#)
 - procedure, [7-68](#)
- display cable
 - illustrated, [7-12](#), [7-13](#)
 - procedure, [7-12](#)
- fan
 - illustrated, [7-67](#)
 - procedure, [7-66](#)
- fan bracket
 - illustrated, [7-67](#)
 - procedure, [7-66](#)
- front panel assembly
 - illustrated, [7-9](#)
 - procedure, [7-8](#)
- front panel LED board
 - illustrated, [7-65](#)
 - procedure, [7-64](#)
- front panel subassemblies
 - illustrated, [7-11](#)
 - procedures, [7-10](#)
- inverter board
 - illustrated, [7-11](#)
 - procedure, [7-10](#)
- keypad assembly
 - illustrated, [7-11](#)
 - procedure, [7-10](#)
- power button keypad
 - illustrated, [7-11](#)
 - procedure, [7-11](#)
- power switch board
 - illustrated, [7-11](#)
 - procedure, [7-11](#)
- rear panel
 - illustrated, [7-63](#)
 - procedure, [7-62](#)
- touch screen
 - illustrated, [7-12](#), [7-13](#)
 - procedure, [7-12](#)
- USB controller board
 - illustrated, [7-11](#)
 - procedure, [7-11](#)
- replacement sequence**, [4-3](#)
- return loss check**
 - failure of, [3-14](#)
 - test port cables, [3-14](#)
- RF cables**
 - in bottom assembly, Option 200
 - illustrated, [6-22](#)
 - part numbers, [6-21](#)
- in bottom assembly, Option 219
 - illustrated, [6-28](#)
 - part numbers, [6-27](#)
- in bottom assembly, Option 219/029
 - illustrated, [6-34](#)
 - part numbers, [6-33](#)
- in bottom assembly,
 - Option 219/029/H85
 - illustrated, [6-46](#)
 - part numbers, [6-45](#)
- in bottom assembly, Option 219/H85
 - illustrated, [6-40](#)
 - part numbers, [6-39](#)
- in bottom assembly, Option 224
 - illustrated, [6-52](#)
 - part numbers, [6-51](#)
- in bottom assembly, Option 224/029
 - illustrated, [6-58](#)
 - part numbers, [6-57](#)
- in bottom assembly,
 - Option 224/029/H85
 - illustrated, [6-70](#)
 - part numbers, [6-69](#)
- in bottom assembly, Option 224/H85
 - illustrated, [6-64](#)
 - part numbers, [6-63](#)
- in bottom assembly, Option 400
 - illustrated, [6-76](#)
 - part numbers, [6-75](#)
- in bottom assembly, Option 419
 - illustrated, [6-82](#), [6-84](#)
 - part numbers, [6-81](#), [6-83](#)
- in bottom assembly, Option 419/029
 - illustrated, [6-90](#), [6-92](#)
 - part numbers, [6-89](#), [6-91](#), [6-105](#)
- in bottom assembly,
 - Option 419/029/H85
 - illustrated, [6-106](#), [6-108](#)
 - part numbers, [6-107](#)
- in bottom assembly, Option 419/H85
 - illustrated, [6-97](#), [6-98](#), [6-100](#)
 - part numbers, [6-97](#), [6-99](#)
- in bottom assembly, Option 423
 - illustrated, [6-114](#), [6-116](#)
 - part numbers, [6-113](#), [6-115](#)
- in bottom assembly, Option 423/029
 - illustrated, [6-122](#), [6-124](#)
 - part numbers, [6-121](#), [6-123](#)
- in bottom assembly,
 - Option 423/029/H85
 - illustrated, [6-138](#), [6-140](#)
 - part numbers, [6-137](#), [6-139](#)
- in bottom assembly, Option 423/H85
 - illustrated, [6-130](#), [6-132](#)
 - part numbers, [6-129](#), [6-131](#)
- ribbon cables**
 - in bottom assembly, Option 200

- illustrated, [6-24](#)
- part numbers, [6-23](#)
- in bottom assembly, Option 219
 - illustrated, [6-30](#)
 - part numbers, [6-29](#)
- in bottom assembly, Option 219/029
 - illustrated, [6-36](#)
 - part numbers, [6-35](#)
- in bottom assembly,
 - Option 219/029/H85
 - illustrated, [6-48](#)
 - part numbers, [6-47](#)
- in bottom assembly, Option 219/H85
 - illustrated, [6-42](#)
 - part numbers, [6-41](#)
- in bottom assembly, Option 224
 - illustrated, [6-54](#)
 - part numbers, [6-53](#)
- in bottom assembly, Option 224/029
 - illustrated, [6-60](#)
 - part numbers, [6-59](#)
- in bottom assembly,
 - Option 224/029/H85
 - illustrated, [6-72](#)
 - part numbers, [6-71](#)
- in bottom assembly, Option 224/H85
 - illustrated, [6-66](#)
 - part numbers, [6-65](#)
- in bottom assembly, Option 400
 - illustrated, [6-78](#)
 - part numbers, [6-77](#)
- in bottom assembly, Option 419
 - illustrated, [6-86](#)
 - part numbers, [6-85](#)
- in bottom assembly, Option 419/029
 - illustrated, [6-94](#)
 - part numbers, [6-93](#)
- in bottom assembly,
 - Option 419/029/H85
 - illustrated, [6-110](#)
 - part numbers, [6-109](#)
- in bottom assembly, Option 419/H85
 - illustrated, [6-102](#)
 - part numbers, [6-101](#)
- in bottom assembly, Option 423
 - illustrated, [6-118](#)
 - part numbers, [6-117](#)
- in bottom assembly, Option 423/029
 - illustrated, [6-126](#)
 - part numbers, [6-125](#)
- in bottom assembly,
 - Option 423/029/H85
 - illustrated, [6-142](#)
 - part numbers, [6-141](#)
- in bottom assembly, Option 423/H85
 - illustrated, [6-134](#)
 - part numbers, [6-133](#)

- rotary pulse generator (RPG)**
 - test, [4-15](#)
 - troubleshooting, [4-13](#)
- rotary pulse generator (RPG) knob**
 - illustrated, [6-11](#)
 - part number, [6-10](#)

S

- safety**
 - considerations, [1-3](#)
 - earth ground, [1-3](#)
 - symbols, [1-3](#)
- scalar calibrated converter measurements**
 - Option 082, [2-5](#)
- SCPI**, [8-9](#)
- screws**
 - for bottom assemblies
 - illustrated, [6-148](#)
 - part numbers, [6-147](#)
 - for Option 029 bottom assemblies
 - illustrated, [6-150](#)
 - part numbers, [6-149](#)
 - in external analyzer
 - illustrated, [6-154](#)
 - part numbers, [6-153](#)
 - in rear panel assembly
 - illustrated, [6-144](#)
 - part numbers, [6-143](#)
- serial number**
 - changing, [8-16](#)
 - installing, [8-16](#)
- service**
 - battery
 - part numbers, [6-156](#)
 - contacting Agilent, [2-14](#)
 - memory modules
 - part numbers, [6-155](#)
 - miscellaneous parts
 - required, [2-13](#)
 - options, [2-14](#)
 - procedures
 - caution about, [7-3](#)
 - post-repair, [7-72](#)
 - warnings about, [7-3](#)
 - static safety parts
 - part numbers, [6-155](#)
 - required, [2-13](#)
 - test equipment
 - required, [2-11](#)
 - tools
 - part numbers, [6-155](#)
 - required, [2-13](#)
 - warnings, [1-4](#)
 - warranty
 - one-year return to Agilent, [2-14](#)
 - standard, [2-14](#)
- shipment for service or repair**, [2-15](#)

- signal processing ADC module (SPAM) board**
 - illustrated, [6-16](#)
 - part number, [6-14](#)
- signal separation**
 - functional description of, [5-6](#)
 - functional group, [5-4](#)
- signal separation group**
 - block diagram, [5-18](#), [5-19](#)
 - defined, [4-28](#)
 - operation, [5-16](#)
 - troubleshooting, [4-34](#), [4-35](#)
- single band failure**, [4-30](#)
- software**
 - options, [8-14](#)
- source**
 - adjustment, [3-39](#)
 - calibration, [3-39](#)
 - functional group, [5-4](#)
 - maximum output power test, [3-30](#)
 - power accuracy test, [3-29](#)
 - power linearity test, [3-30](#)
- source 1 board**
 - illustrated, [6-16](#)
 - part number, [6-14](#)
 - removal and replacement
 - illustrated, [7-16](#), [7-19](#)
 - procedure, [7-14](#), [7-17](#)
 - troubleshooting, [4-33](#)
- source 1 pulse modulator, Option 021**, [2-4](#)
- source 1 synthesizer board**
 - removal and replacement
 - procedure, [7-14](#), [7-17](#)
 - troubleshooting, [4-33](#)
- source 2 board**
 - illustrated, [6-16](#)
 - part number, [6-14](#)
 - removal and replacement
 - illustrated, [7-16](#), [7-19](#)
 - procedure, [7-14](#), [7-17](#)
 - troubleshooting, [4-33](#)
- source 2 pulse modulator, Option 022**, [2-4](#)
- source 2 synthesizer board**
 - removal and replacement
 - procedure, [7-14](#), [7-17](#)
 - troubleshooting, [4-33](#)
- source board**
 - operation, [5-10](#)
- source group**
 - defined, [4-28](#)
 - operation, [5-7](#)
 - troubleshooting, [4-30](#)
- source match**
 - cause of failure, [8-11](#)
 - definition of, [8-11](#)
 - measurements affected by, [8-11](#)
- source step attenuator**
 - removal and replacement
 - illustrated, [7-47](#)

- procedure, 7-46
- troubleshooting, 4-37
- SPAM board**
- illustrated, 6-16
- operation
 - analog, 5-24
 - digital, 5-33
- part number, 6-14
- removal and replacement
 - illustrated, 7-16, 7-19
 - procedure, 7-14, 7-17
- troubleshooting, 4-40
- speaker**
- troubleshooting, 4-13
- specifications**
- instrument, 3-6
- stabilization, warm up time, 3-4
- system, 3-6
- splitter**
- illustrated, 6-32, 6-44, 6-56, 6-74, 6-80, 6-88, 6-96, 6-104, 6-112, 6-120, 6-128, 6-136
- part number, 6-31, 6-43, 6-55, 6-68, 6-73, 6-79, 6-87, 6-95, 6-103, 6-111, 6-119, 6-127, 6-135
- removal and replacement
 - illustrated, 7-37
 - procedure, 7-36
- troubleshooting, 4-32
- SRC 2 OUT 1 mechanical switch**
- illustrated, 6-50, 6-56, 6-62, 6-68
- part number, 6-49, 6-55, 6-61, 6-67
- stabilization**
- warm up time, 3-4
- standard 2-port configuration, Option 200, 2-6**
- standard 4-port configuration, Option 400, 2-6**
- standards compliant calibration**
- built-in tests, Option 898, 2-7
- static safety parts**
- required for servicing, 2-13
- step attenuator, receiver**
- removal and replacement
 - illustrated, 7-47
 - procedure, 7-46
- troubleshooting, 4-40
- step attenuator, source**
- removal and replacement
 - illustrated, 7-47
 - procedure, 7-46
- troubleshooting, 4-37
- storage data**
- IDE, 5-34
- strap handle**
- analyzer
 - illustrated, 6-154
 - part number, 6-153
- subgroup**
- data acquisition and processing, 5-30
- front panel, 5-30
- subnet mask, LAN, 4-19**
- substitution**
- cable, 3-24
- calibration kits, 3-24
- verification kits, 3-24
- supplies**
- battery
 - part number, 6-156
- ESD
 - part numbers, 6-155
- memory modules
 - part numbers, 6-155
- support**
- contacting Agilent, 2-14
- options, 2-14
- organization, 2-14
- switch, reference mixer**
- illustrated, 6-20, 6-26, 6-32, 6-38, 6-44, 6-50, 6-56, 6-62, 6-68, 6-74, 6-80, 6-88, 6-96, 6-104, 6-112, 6-120, 6-128, 6-136
- part number, 6-19, 6-25, 6-31, 6-37, 6-43, 6-49, 6-55, 6-61, 6-67, 6-73, 6-79, 6-87, 6-95, 6-103, 6-111, 6-119, 6-127, 6-135
- synthesized source**
- functional description of, 5-5
- synthesized source group**
- operation, 5-7
- synthesizer bandwidth**
- adjustment, 3-38
- system**
- adjustments, 3-1, 3-36
 - EE default, 3-43
 - frequency at 10 MHz, 3-37
 - getting ready, 3-4
 - IF gain, 3-38
 - noise figure, 3-44
 - receiver calibration, 3-40
 - receiver characterization, 3-43
 - source calibration, 3-39
 - synthesizer bandwidth, 3-38
- checks, 3-1
 - getting ready, 3-4
- specifications, 3-6
- verification, 3-1, 3-6, 3-20
 - dialog box, 3-24
 - example of results, 3-27, 3-28
 - failure flowchart, 3-26
 - failure of, 3-26
 - getting ready, 3-4
 - interpreting results, 3-27
 - performing, 3-23
 - procedure, 3-24
 - what it verifies, 3-20
- system motherboard**
- illustrated, 6-16
- operation, 5-32
- part number, 6-14
- removal and replacement
 - illustrated, 7-21
 - procedure, 7-20
- system, operating**
- recovery, 8-18

T

- test**
- calibration coefficients, 3-34
- dynamic accuracy, 3-35
- frequency accuracy, 3-31
- noise floor, 3-33
- performance
 - frequency accuracy, 3-31
 - source maximum power output, 3-30
 - source power accuracy, 3-29
 - test port maximum power output, 3-30
 - test port power accuracy, 3-29
- receiver compression, 3-32
- source power linearity, 3-30
- test port output power linearity, 3-30
- trace noise, 3-31
- test equipment**
- required for service, 2-11
- required for servicing, 2-11
- test port**
- cable checks
 - connector repeatability failure, 3-19
- dynamic accuracy test, 3-35
- maximum output power test, 3-30
- noise floor test, 3-33
- output power accuracy test, 3-29
- output power linearity test, 3-30
- test port 1 bias tee**
- illustrated, 6-32, 6-44, 6-50, 6-56, 6-79, 6-80, 6-88, 6-111, 6-112, 6-120, 6-136
- part number, 6-25, 6-31, 6-49, 6-55, 6-87, 6-119, 6-135
- removal and replacement
 - illustrated, 7-47, 7-49
 - procedure, 7-46, 7-48
- troubleshooting, 4-37
- test port 1 bridge**
- illustrated, 6-20, 6-26, 6-32, 6-38, 6-44, 6-50, 6-56, 6-62, 6-68, 6-74, 6-80, 6-88, 6-96, 6-104, 6-112, 6-120, 6-128, 6-136
- part number, 6-19, 6-25, 6-31, 6-37, 6-43, 6-49, 6-55, 6-61, 6-67, 6-73, 6-79, 6-87, 6-95, 6-103, 6-111, 6-119, 6-127, 6-135

- removal and replacement
 - illustrated, 7-41
 - procedure, 7-40
- troubleshooting, 4-36
- test port 1 coupler**
 - illustrated, 6-20, 6-26, 6-32, 6-38, 6-44, 6-50, 6-56, 6-62, 6-68, 6-74, 6-80, 6-88, 6-96, 6-104, 6-112, 6-120, 6-128, 6-136
 - operation, 5-17
 - part number, 6-19, 6-25, 6-31, 6-37, 6-43, 6-49, 6-55, 6-61, 6-67, 6-73, 6-79, 6-87, 6-95, 6-103, 6-111, 6-119, 6-127, 6-135
 - removal and replacement
 - procedure, 7-42, 7-43
 - troubleshooting, 4-36
- test port 1 mechanical switch**
 - illustrated, 6-50, 6-56, 6-62, 6-68, 6-112, 6-120, 6-128, 6-136
 - part number, 6-49, 6-55, 6-61, 6-67, 6-111, 6-119, 6-127, 6-135
 - removal and replacement
 - illustrated, 7-51
 - procedure, 7-50
 - troubleshooting, 4-37
- test port 1 Option 029 switch**
 - illustrated, 6-32, 6-44, 6-56, 6-68, 6-88, 6-104, 6-120, 6-136
 - operation, 5-27
 - part number, 6-31, 6-43, 6-55, 6-67, 6-87, 6-103, 6-119, 6-135
 - removal and replacement
 - illustrated, 7-59
 - procedure, 7-58
- test port 1 receiver step attenuator**
 - illustrated, 6-32, 6-38, 6-44, 6-50, 6-56, 6-62, 6-68, 6-79, 6-80, 6-88, 6-96, 6-104, 6-111, 6-112, 6-120, 6-128, 6-136
 - part number, 6-25, 6-31, 6-37, 6-43, 6-49, 6-55, 6-61, 6-67, 6-87, 6-95, 6-103, 6-119, 6-127, 6-135
 - removal and replacement
 - illustrated, 7-47
 - procedure, 7-46
 - troubleshooting, 4-40
- test port 1 source step attenuator**
 - illustrated, 6-32, 6-38, 6-44, 6-50, 6-56, 6-62, 6-68, 6-79, 6-80, 6-88, 6-96, 6-104, 6-111, 6-112, 6-120, 6-128, 6-136
 - part number, 6-25, 6-31, 6-37, 6-43, 6-49, 6-55, 6-61, 6-67, 6-87, 6-95, 6-103, 6-119, 6-127, 6-135
 - removal and replacement
 - illustrated, 7-47
 - procedure, 7-46
- troubleshooting, 4-37
- removal and replacement
 - illustrated, 7-41
 - procedure, 7-40
- troubleshooting, 4-36
- test port 2 bias tee**
 - illustrated, 6-32, 6-44, 6-50, 6-56, 6-79, 6-80, 6-88, 6-111, 6-112, 6-120, 6-136
 - part number, 6-25, 6-31, 6-49, 6-55, 6-87, 6-119, 6-135
 - removal and replacement
 - illustrated, 7-47, 7-49
 - procedure, 7-46, 7-48
 - troubleshooting, 4-37
- test port 2 bridge**
 - illustrated, 6-20, 6-26, 6-32, 6-38, 6-44, 6-50, 6-56, 6-62, 6-68, 6-74, 6-80, 6-88, 6-96, 6-104, 6-112, 6-120, 6-128, 6-136
 - part number, 6-19, 6-25, 6-31, 6-37, 6-43, 6-49, 6-55, 6-61, 6-67, 6-73, 6-79, 6-87, 6-95, 6-103, 6-111, 6-119, 6-127, 6-135
 - removal and replacement
 - illustrated, 7-41
 - procedure, 7-40
 - troubleshooting, 4-36
- test port 2 coupler**
 - illustrated, 6-20, 6-26, 6-32, 6-38, 6-44, 6-50, 6-56, 6-62, 6-68, 6-74, 6-80, 6-88, 6-96, 6-104, 6-112, 6-120, 6-128, 6-136
 - operation, 5-17
 - part number, 6-19, 6-25, 6-31, 6-37, 6-43, 6-49, 6-55, 6-61, 6-67, 6-73, 6-79, 6-87, 6-95, 6-103, 6-111, 6-119, 6-127, 6-135
 - removal and replacement
 - procedure, 7-42, 7-43
 - troubleshooting, 4-36
- test port 2 mechanical switch**
 - illustrated, 6-50, 6-56, 6-62, 6-68, 6-112, 6-120, 6-128, 6-136
 - part number, 6-49, 6-55, 6-61, 6-67, 6-111, 6-119, 6-127, 6-135
 - removal and replacement
 - illustrated, 7-51
 - procedure, 7-50
 - troubleshooting, 4-37
- test port 2 Option 029 bridge**
 - illustrated, 6-32, 6-44, 6-56, 6-68, 6-88, 6-104, 6-120, 6-136
 - operation, 5-27
 - part number, 6-31, 6-43, 6-55, 6-67, 6-87, 6-103, 6-119, 6-135
 - removal and replacement
 - illustrated, 7-61
 - procedure, 7-60
- test port 2 Option 029 switch**
 - illustrated, 6-32, 6-44, 6-56, 6-68, 6-88, 6-104, 6-120, 6-136
 - operation, 5-27
 - part number, 6-31, 6-43, 6-55, 6-67, 6-87, 6-103, 6-119, 6-135
 - removal and replacement
 - illustrated, 7-61
 - procedure, 7-60
- troubleshooting, 4-37
- removal and replacement
 - illustrated, 7-59
 - procedure, 7-58
- test port 2 receiver step attenuator**
 - illustrated, 6-32, 6-38, 6-44, 6-50, 6-56, 6-62, 6-68, 6-79, 6-80, 6-88, 6-96, 6-104, 6-111, 6-112, 6-120, 6-128, 6-136
 - part number, 6-25, 6-31, 6-37, 6-43, 6-49, 6-55, 6-61, 6-67, 6-87, 6-95, 6-103, 6-119, 6-127, 6-135
 - removal and replacement
 - illustrated, 7-47
 - procedure, 7-46
 - troubleshooting, 4-40
- test port 2 source step attenuator**
 - illustrated, 6-32, 6-38, 6-44, 6-50, 6-56, 6-62, 6-68, 6-79, 6-80, 6-88, 6-96, 6-104, 6-111, 6-112, 6-120, 6-128, 6-136
 - part number, 6-25, 6-31, 6-37, 6-43, 6-49, 6-55, 6-61, 6-67, 6-87, 6-95, 6-103, 6-119, 6-127, 6-135
 - removal and replacement
 - illustrated, 7-47
 - procedure, 7-46
 - troubleshooting, 4-37
- test port 3 bias tee**
 - illustrated, 6-79, 6-80, 6-88, 6-111, 6-112, 6-120, 6-136
 - part number, 6-87, 6-119, 6-135
 - removal and replacement
 - illustrated, 7-47, 7-49
 - procedure, 7-46, 7-48
 - troubleshooting, 4-37
- test port 3 bridge**
 - illustrated, 6-74, 6-80, 6-88, 6-96, 6-104, 6-112, 6-120, 6-128, 6-136
 - part number, 6-73, 6-79, 6-87, 6-95, 6-103, 6-111, 6-119, 6-127, 6-135
 - removal and replacement
 - illustrated, 7-41
 - procedure, 7-40
 - troubleshooting, 4-36
- test port 3 coupler**
 - illustrated, 6-74, 6-80, 6-88, 6-96, 6-104, 6-112, 6-120, 6-128, 6-136
 - operation, 5-17
 - part number, 6-73, 6-79, 6-87, 6-95, 6-103, 6-111, 6-119, 6-127, 6-135
 - removal and replacement
 - procedure, 7-42, 7-43
 - troubleshooting, 4-36
- test port 3 mechanical switch**
 - illustrated, 6-112, 6-120, 6-128, 6-136

- part number, 6-111, 6-119, 6-127, 6-135
- removal and replacement
 - illustrated, 7-51
 - procedure, 7-50
- troubleshooting, 4-37
- test port 3 receiver step attenuator**
 - illustrated, 6-79, 6-80, 6-88, 6-96, 6-104, 6-111, 6-112, 6-120, 6-128, 6-136
 - part number, 6-87, 6-95, 6-103, 6-119, 6-127, 6-135
 - removal and replacement
 - illustrated, 7-47
 - procedure, 7-46
 - troubleshooting, 4-40
- test port 3 source step attenuator**
 - illustrated, 6-79, 6-80, 6-88, 6-96, 6-104, 6-111, 6-112, 6-120, 6-128, 6-136
 - part number, 6-87, 6-95, 6-103, 6-119, 6-127, 6-135
 - removal and replacement
 - illustrated, 7-47
 - procedure, 7-46
 - troubleshooting, 4-37
- test port 4 bias tee**
 - illustrated, 6-79, 6-80, 6-88, 6-111, 6-112, 6-120, 6-136
 - part number, 6-87, 6-119, 6-135
 - removal and replacement
 - illustrated, 7-47, 7-49
 - procedure, 7-46, 7-48
 - troubleshooting, 4-37
- test port 4 bridge**
 - illustrated, 6-74, 6-80, 6-88, 6-96, 6-104, 6-112, 6-120, 6-128, 6-136
 - part number, 6-73, 6-79, 6-87, 6-95, 6-103, 6-111, 6-119, 6-127, 6-135
 - removal and replacement
 - illustrated, 7-41
 - procedure, 7-40
 - troubleshooting, 4-36
- test port 4 coupler**
 - illustrated, 6-74, 6-80, 6-88, 6-96, 6-104, 6-112, 6-120, 6-128, 6-136
 - operation, 5-17
 - part number, 6-73, 6-79, 6-87, 6-95, 6-103, 6-111, 6-119, 6-127, 6-135
 - removal and replacement
 - procedure, 7-42, 7-43
 - troubleshooting, 4-36
- test port 4 mechanical switch**
 - illustrated, 6-112, 6-120, 6-128, 6-136
 - part number, 6-111, 6-119, 6-127, 6-135
 - removal and replacement
 - illustrated, 7-51
 - procedure, 7-50
 - troubleshooting, 4-37
- test port 4 receiver step attenuator**
 - illustrated, 6-79, 6-80, 6-88, 6-96, 6-104, 6-111, 6-112, 6-120, 6-128, 6-136
 - part number, 6-87, 6-95, 6-103, 6-119, 6-127, 6-135
 - removal and replacement
 - illustrated, 7-47
 - procedure, 7-46
 - troubleshooting, 4-40
- test port 4 source step attenuator**
 - illustrated, 6-79, 6-80, 6-88, 6-96, 6-104, 6-111, 6-112, 6-120, 6-128, 6-136
 - part number, 6-87, 6-95, 6-103, 6-119, 6-127, 6-135
 - removal and replacement
 - illustrated, 7-47
 - procedure, 7-46
 - troubleshooting, 4-37
- test port cable**
 - checks, 3-11
 - accessories used in, 3-13
 - connector repeatability, 3-18
 - insertion loss, 3-15
 - insertion loss failure, 3-15
 - magnitude and phase stability, 3-16
 - magnitude and phase stability failure, 3-17
 - performing, 3-13
 - return loss, 3-14
 - return loss failure, 3-14
- test port coupler**
 - troubleshooting, 4-36
- TEST SET I/O**
 - connector
 - pin assignments, 5-13
 - rear panel, 5-12
- test set motherboard**
 - illustrated, 6-20, 6-26, 6-32, 6-38, 6-44, 6-50, 6-56, 6-62, 6-68, 6-74, 6-80, 6-88, 6-96, 6-104, 6-112, 6-120, 6-128, 6-136
 - operation, 5-12
 - part number, 6-19, 6-25, 6-31, 6-37, 6-43, 6-49, 6-55, 6-61, 6-67, 6-73, 6-79, 6-87, 6-95, 6-103, 6-111, 6-119, 6-127, 6-135
 - removal and replacement
 - illustrated, 7-31
 - procedure, 7-30
- tests**
 - adjustments, 3-36
 - performance, 3-7, 3-29
 - source group, 4-30
- time domain, Option 010, 2-4**
- tools**
 - required for servicing, 2-13
 - service, part numbers, 6-155
- top assembly**
 - replaceable parts
 - illustrated, 6-145, 6-146
 - part numbers, 6-14, 6-16, 6-145
- top assembly, all options**
 - replaceable cables, all
 - illustrated, 6-18
 - part numbers, 6-17
- touch screen**
 - illustrated, 6-13
 - parts list, 6-12
 - removal and replacement
 - illustrated, 7-12, 7-13
 - procedure, 7-12
- touch-up**
 - paint
 - part numbers, 6-156
- trace**
 - troubleshooting
 - all traces, 4-29
 - troubleshooting all, 4-26
- trace A**
 - troubleshooting, 4-26, 4-29
- trace B**
 - troubleshooting, 4-26
- trace C**
 - troubleshooting, 4-26
- trace D**
 - troubleshooting, 4-26
- trace noise**
 - test, 3-31
- trace R**
 - troubleshooting, 4-26
- trace, all**
 - troubleshooting, 4-29
- traceability**
 - measurement, 3-22
 - path, 3-22
- traces A, B, R1, and R2**
 - troubleshooting, 4-29
- traces C, D, R3, and R4**
 - troubleshooting, 4-29
- trim strip, filler**
 - front panel
 - illustrated, 6-11
 - part number, 6-10
- troubleshooting**
 - A1 front panel interface board, 4-12, 4-13
 - A10 frequency reference board, 4-31
 - A11 13.5 GHz LO synthesizer board, 4-31
 - A12 SPAM board, 4-40
 - A13 13.5 GHz source 2 synthesizer board, 4-33
 - A16 power supply assembly, 4-7

- A17 CPU board, 4-17
 - A20 IF multiplexer board, 4-40
 - A21 HMA26.5, 4-32
 - A22 splitter, 4-32
 - A23 mixer brick, 4-39
 - A24 mixer brick, 4-39
 - A25 test port 1 bridge, 4-36
 - A26 test port 3 bridge, 4-36
 - A27 test port 4 bridge, 4-36
 - A28 test port 2 bridge, 4-36
 - A29 test port 1 coupler, 4-36
 - A3 display assembly, 4-12, 4-13
 - A30 test port 3 coupler, 4-36
 - A31 test port 4 coupler, 4-36
 - A32 test port 2 coupler, 4-36
 - A33 reference mixer switch, 4-39
 - A34 test port 1 source step attenuator, 4-37
 - A35 test port 3 source step attenuator, 4-37
 - A36 test port 4 source step attenuator, 4-37
 - A37 test port 2 source step attenuator, 4-37
 - A38 test port 1 bias tee, 4-37
 - A39 test port 3 bias tee, 4-37
 - A4 13.5 GHz source 1 synthesizer board, 4-33
 - A40 test port 4 bias tee, 4-37
 - A41 test port 2 bias tee, 4-37
 - A42 test port 1 receiver step attenuator, 4-40
 - A43 test port 3 receiver step attenuator, 4-40
 - A44 test port 4 receiver step attenuator, 4-40
 - A45 test port 2 receiver step attenuator, 4-40
 - A46 test port 1 mechanical switch, 4-37
 - A47 test port 3 mechanical switch, 4-37
 - A48 test port 4 mechanical switch, 4-37
 - A49 test port 2 mechanical switch, 4-37
 - A5 26.5 GHz source 1 board, 4-33
 - A8 26.5 GHz source 2 board, 4-33
 - all traces, 4-29
 - check the basics, 4-4
 - error term failure
 - suspect devices, 8-3
 - fans, 4-11
 - front panel, 4-13
 - front panel keypad, 4-13
 - front panel knob, 4-13
 - front-panel USB, 4-13
 - GPIB CONTROLLER port, 4-17
 - inverter board, 4-12
 - LAN, 4-18
 - measurement system, 4-23
 - receiver group, 4-38
 - running the receiver display, 4-26
 - signal separation group, 4-34
 - source group, 4-30
 - traces A, B, C, D, R, 4-26
 - where to begin, 4-28
 - ping command, 4-19
 - power output of receiver A, 4-34
 - power output of receiver B, 4-34
 - power output of receiver C, 4-34
 - power output of receiver D, 4-34
 - power up, 4-6
 - power supply check, 4-7
 - rear panel, 4-17
 - rear-panel USB, 4-17
 - receiver A, 4-26, 4-34
 - receiver B, 4-26, 4-34
 - receiver C, 4-26, 4-34
 - receiver D, 4-26, 4-34
 - receiver outputs, 4-39
 - receiver R, 4-26
 - RPG, 4-13
 - signal separation group, 4-35
 - source group
 - single vs. broadband, 4-30
 - speaker, 4-13
 - trace A, 4-26
 - trace B, 4-26
 - trace C, 4-26
 - trace D, 4-26
 - trace R, 4-26
 - typical power output
 - Port 1, 4-35
 - Port 2, 4-35
 - Port 3, 4-35
 - Port 4, 4-35
 - using controllers to system
 - troubleshoot, 4-18
 - using error terms, 8-3
 - where to begin, 4-4
- U**
- uncertainty**
 - measurement, 3-21
 - upgrade**
 - firmware
 - downloading from the internet, 8-17
 - four internal pulse generators,
 - Option 025, 2-4
 - frequency offset mode
 - Option 080, 2-5
 - high power configuration capability,
 - Option H85, 2-3
 - how to order, 2-3, 2-8
 - IF inputs, Option 020, 2-4
 - integrated true-mode stimulus
 - application, Option 460, 2-6
 - noise figure measurement capability
 - using standard receivers,
 - Option 028, 2-4
 - noise figure measurement capability,
 - Option 029, 2-5
 - pulsed-RF measurements, Option 008, 2-3
 - scalar calibrated converter
 - measurements
 - Option 082, 2-5
 - source 1 pulse modulator, Option 021, 2-4
 - source 2 pulse modulator, Option 022, 2-4
 - time domain, Option 010, 2-4
 - vector and scalar calibrated frequency converter measurements
 - Option 083, 2-5
 - upgrade kits**
 - order numbers, 6-156
 - upgrades**
 - analyzer, 2-8
 - firmware, 8-17
 - USB**
 - accessories
 - CD-RW drive, 2-9
 - hub, 2-9
 - part numbers, 6-155
 - port
 - rear panel connector, 5-34
 - rear panel
 - troubleshooting, 4-17
 - USB board**
 - removal and replacement
 - illustrated, 7-11
 - procedure, 7-10
 - troubleshooting, 4-13
 - USB board, front panel**
 - illustrated, 6-13
 - part number, 6-12
 - USB controller board**
 - removal and replacement
 - illustrated, 7-11
 - procedure, 7-11
 - USB controller board, front panel**
 - illustrated, 6-13
 - part number, 6-12
 - USB hub, accessory, 2-9**
 - utility**
 - option enable, 8-13
 - accessing, 8-13
 - dialog box, 8-13

V

VCO (voltage-controlled oscillator)

defined, [5-7](#)

vector and scalar calibrated converter measurements

Option 083, [2-5](#)

ventilation requirements, [1-3](#)

verification

ANSI/NCSL Z540-1-1994, [3-9](#)

kits, [2-12](#), [3-6](#)

substitution, [3-24](#)

non-ANSI/NCSL Z540-1-1994, [3-10](#)

of operating environment, [3-4](#)

of operating specifications, [3-4](#)

system, [3-1](#), [3-6](#), [3-20](#)

dialog box, [3-24](#)

example of results, [3-27](#), [3-28](#)

failure flowchart, [3-26](#)

failure of, [3-26](#)

getting ready, [3-4](#)

interpreting results, [3-27](#)

performing, [3-23](#)

procedure, [3-24](#)

what it verifies, [3-20](#)

VGA monitor, [4-12](#)

VGA port

rear panel connector, [5-34](#)

W

warm up

analyzer, [3-4](#)

warning, [1-3](#)

warnings

for servicing, [1-4](#)

warranty

service

one-year return to Agilent, [2-14](#)

standard, [2-14](#)

Windows, [2-11](#)

wire harnesses

in bottom assembly, Option 200

illustrated, [6-24](#)

part numbers, [6-23](#)

in bottom assembly, Option 219

illustrated, [6-30](#)

part numbers, [6-29](#)

in bottom assembly, Option 219/029

illustrated, [6-36](#)

part numbers, [6-35](#)

in bottom assembly,

Option 219/029/H85

illustrated, [6-48](#)

part numbers, [6-47](#)

in bottom assembly, Option 219/H85

illustrated, [6-42](#)

part numbers, [6-41](#)

in bottom assembly, Option 224

illustrated, [6-54](#)

part numbers, [6-53](#)

in bottom assembly, Option 224/029

illustrated, [6-60](#)

part numbers, [6-59](#)

in bottom assembly,

Option 224/029/H85

illustrated, [6-72](#)

part numbers, [6-71](#)

in bottom assembly, Option 224/H85

illustrated, [6-66](#)

part numbers, [6-65](#)

in bottom assembly, Option 400

illustrated, [6-78](#)

part numbers, [6-77](#)

in bottom assembly, Option 419

illustrated, [6-86](#)

part numbers, [6-85](#)

in bottom assembly, Option 419/029

illustrated, [6-94](#)

part numbers, [6-93](#)

in bottom assembly,

Option 419/029/H85

illustrated, [6-110](#)

part numbers, [6-109](#)

in bottom assembly, Option 419/H85

illustrated, [6-102](#)

part numbers, [6-101](#)

in bottom assembly, Option 423

illustrated, [6-118](#)

part numbers, [6-117](#)

in bottom assembly, Option 423/029

illustrated, [6-126](#)

part numbers, [6-125](#)

in bottom assembly,

Option 423/029/H85

illustrated, [6-142](#)

part numbers, [6-141](#)

in bottom assembly, Option 423/H85

illustrated, [6-134](#)

part numbers, [6-133](#)